



US00D670616S

(12) **United States Design Patent**
Hobo

(10) **Patent No.:** **US D670,616 S**

(45) **Date of Patent:** **** Nov. 13, 2012**

(54) **FOUR-WHEELED VEHICLE**

(75) Inventor: **Minoru Hobo**, Tokyo-to (JP)
(73) Assignee: **Yamaha Hatsudoki Kabushiki Kaisha**
(JP)

(**) Term: **14 Years**

(21) Appl. No.: **29/392,314**

(22) Filed: **May 19, 2011**

(51) **LOC (9) Cl.** **12-11**

(52) **U.S. Cl.** **D12/107**

(58) **Field of Classification Search** D12/107,
D12/3, 86, 87, 110; 180/223, 225, 233, 229,
180/311, 312, 315

See application file for complete search history.

(56) **References Cited**

U.S. PATENT DOCUMENTS

D511,318 S	11/2005	Sugimoto	
D515,978 S *	2/2006	Luh	D12/107
D517,450 S *	3/2006	Wu	D12/107
D596,533 S *	7/2009	Mikami et al.	D12/107
D596,534 S	7/2009	Tashiro	
D602,812 S	10/2009	Kinoshita	

FOREIGN PATENT DOCUMENTS

JP D1217714 9/2004

OTHER PUBLICATIONS

Hatsudoki et al., 2009 ATV Sport & Leisure Range, Catalog of Yamaha, 2009.

Printout of website of ETON America, www.etonamerica.com, printed May 16, 2011.

* cited by examiner

Primary Examiner — Susan M Lee

Assistant Examiner — Linda G. Brooks

(74) *Attorney, Agent, or Firm* — Ostrolenk Faber LLP

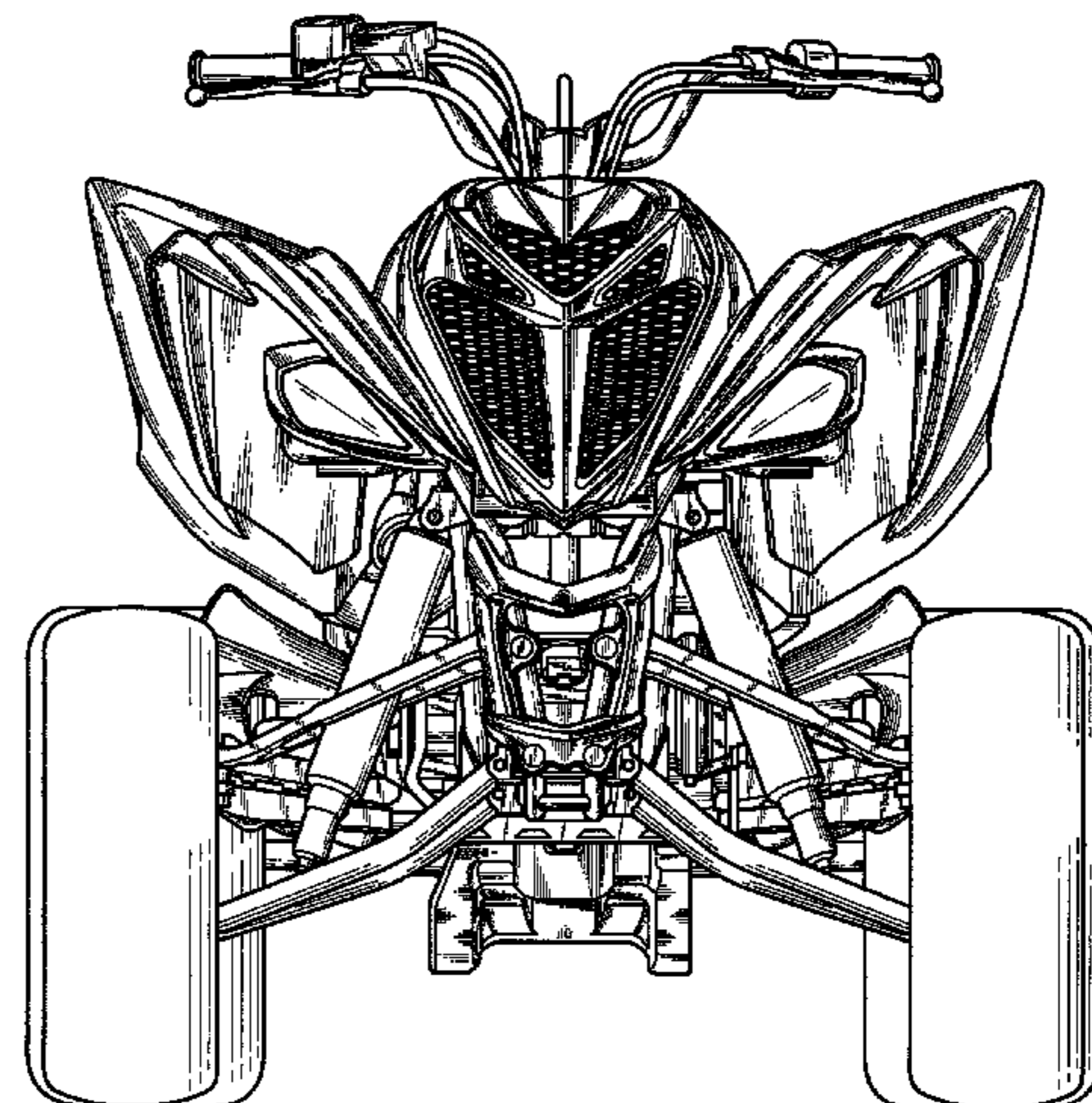
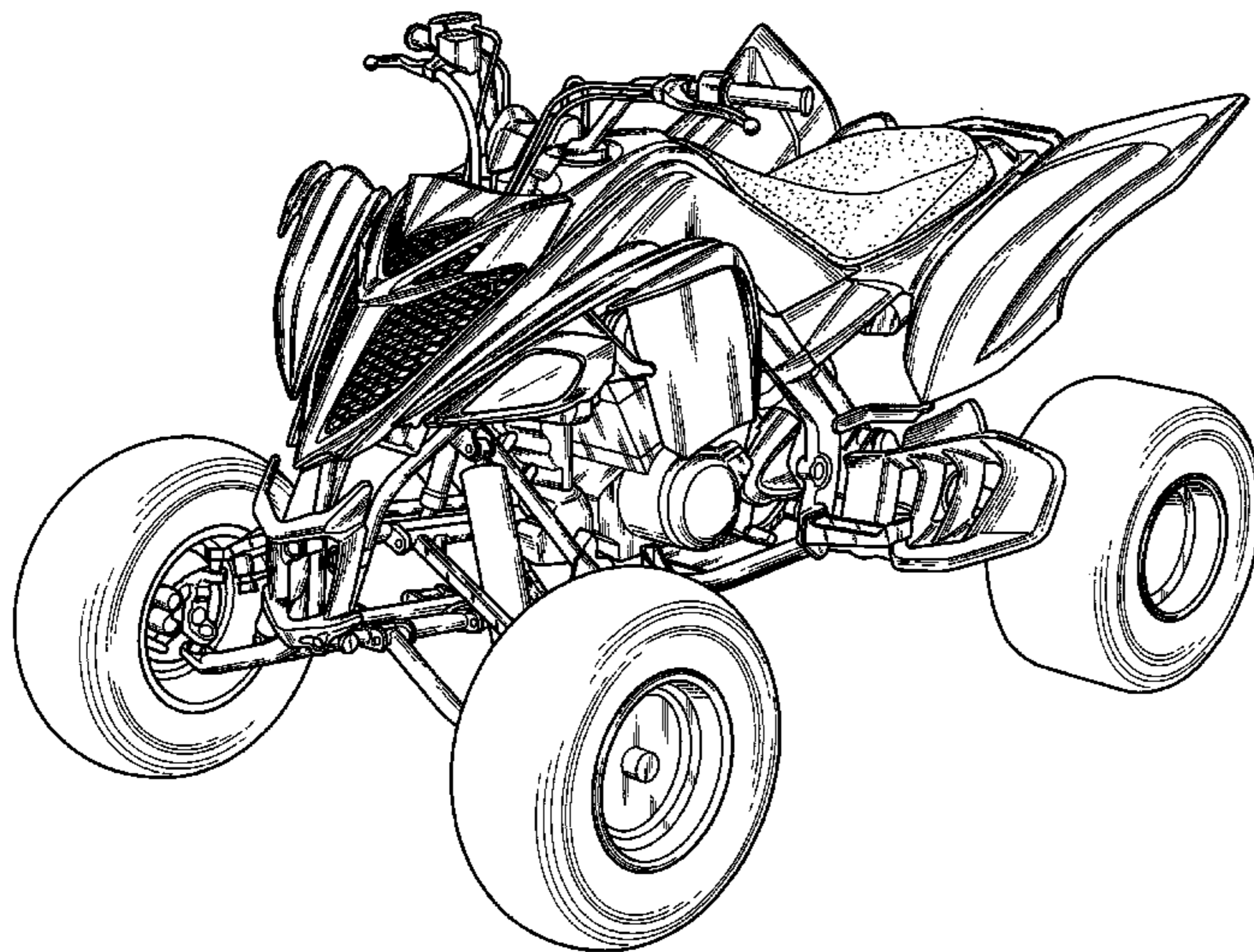
(57) **CLAIM**

The ornamental design for a four-wheeled vehicle, as shown and described.

DESCRIPTION

FIG. 1 is a first perspective view of a four-wheeled vehicle; FIG. 2 is a second perspective view thereof; FIG. 3 is a front view thereof; FIG. 4 is a rear view thereof; FIG. 5 is a left side view thereof; FIG. 6 is a right side view thereof; FIG. 7 is a top view thereof; and, FIG. 8 is a bottom view thereof.

1 Claim, 8 Drawing Sheets



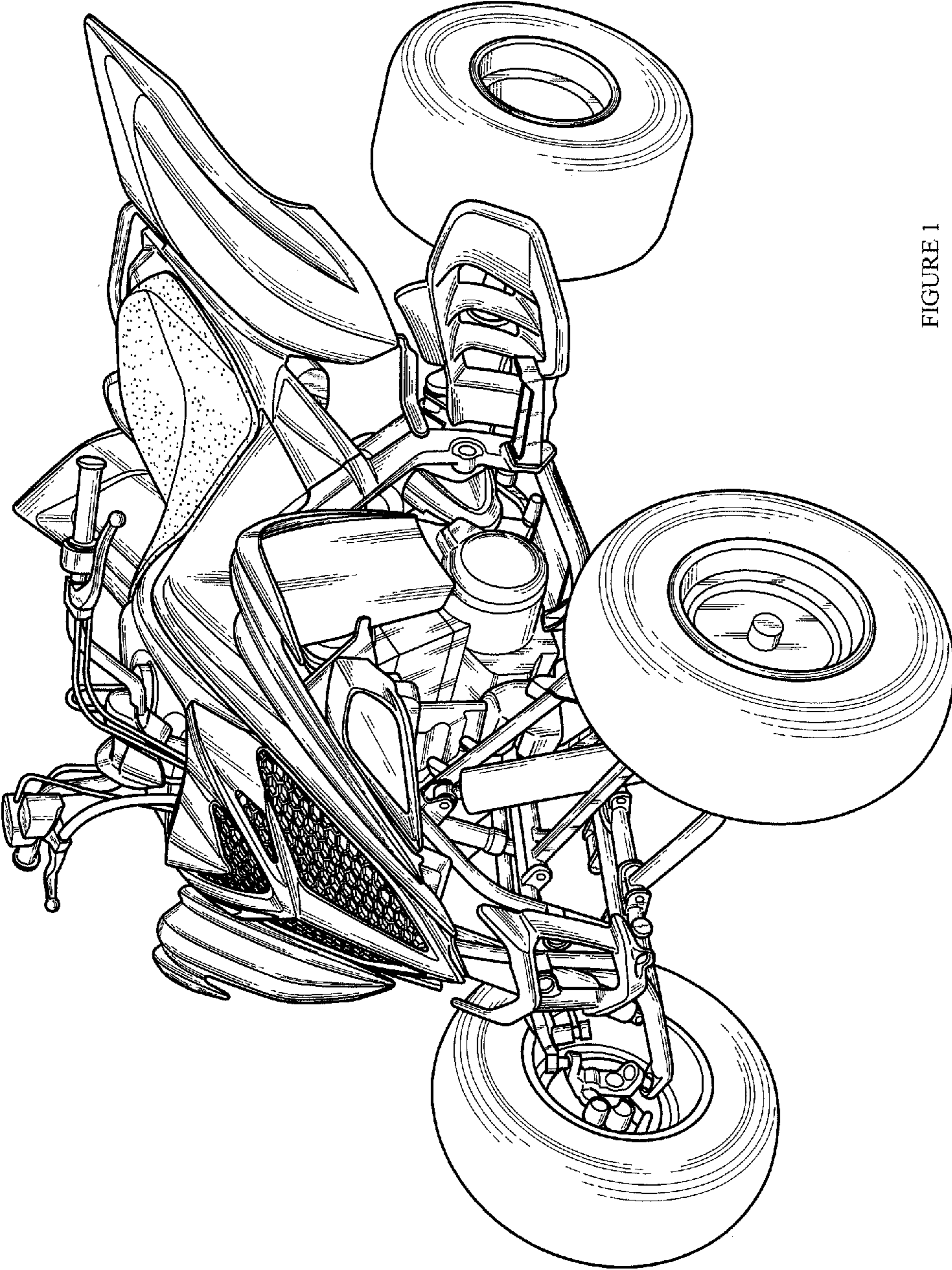


FIGURE 1

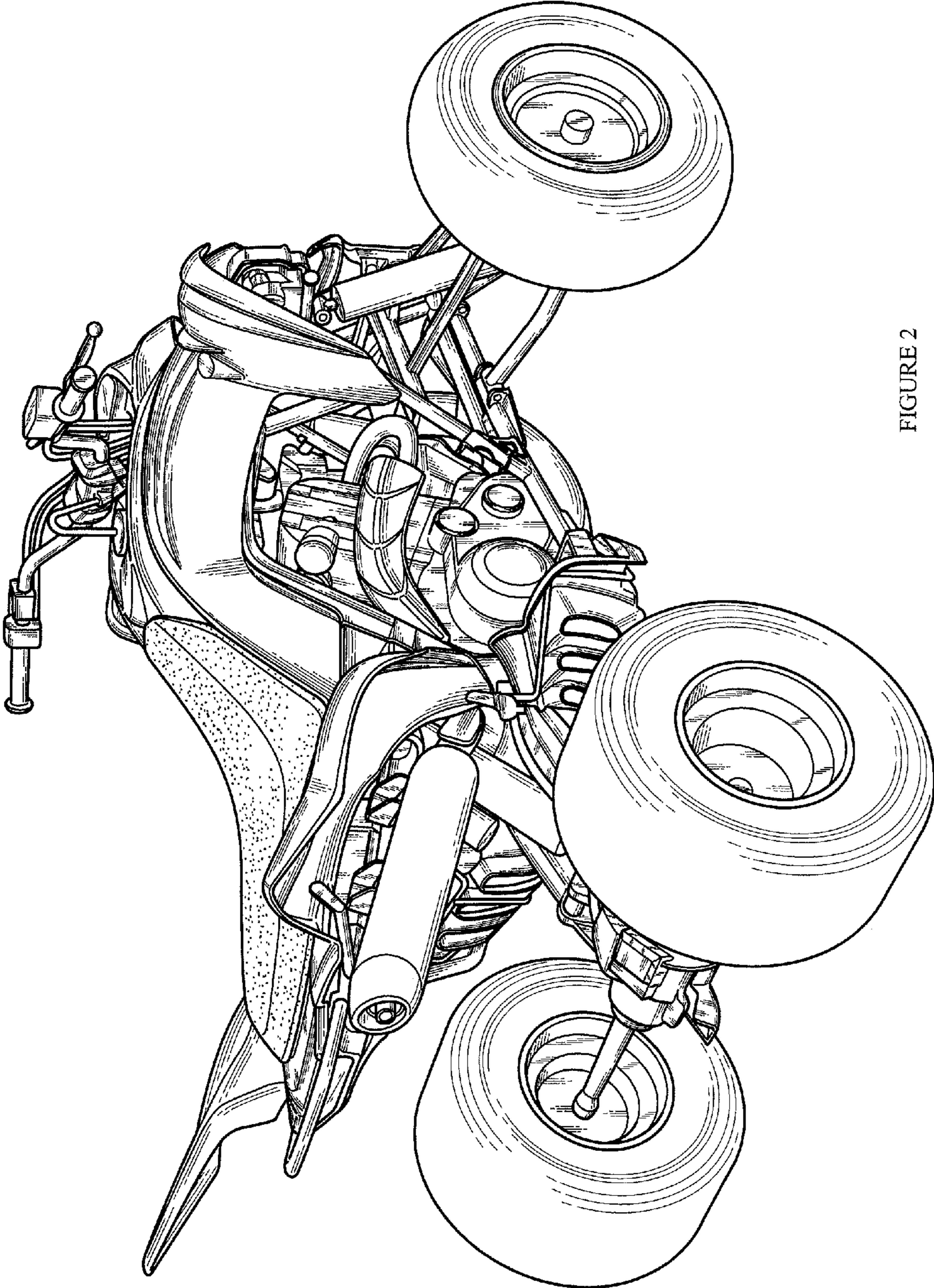


FIGURE 2

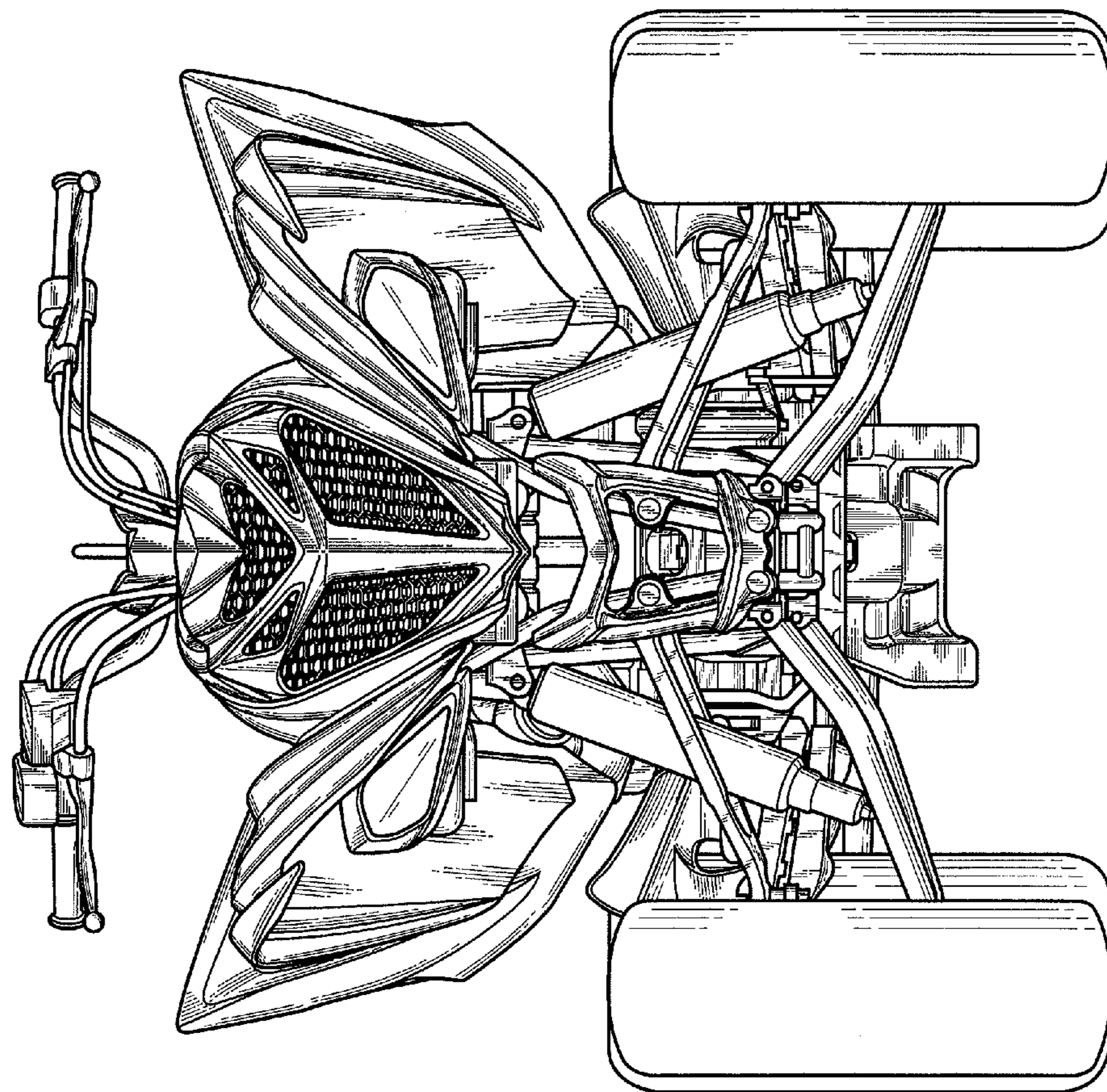


FIGURE 3

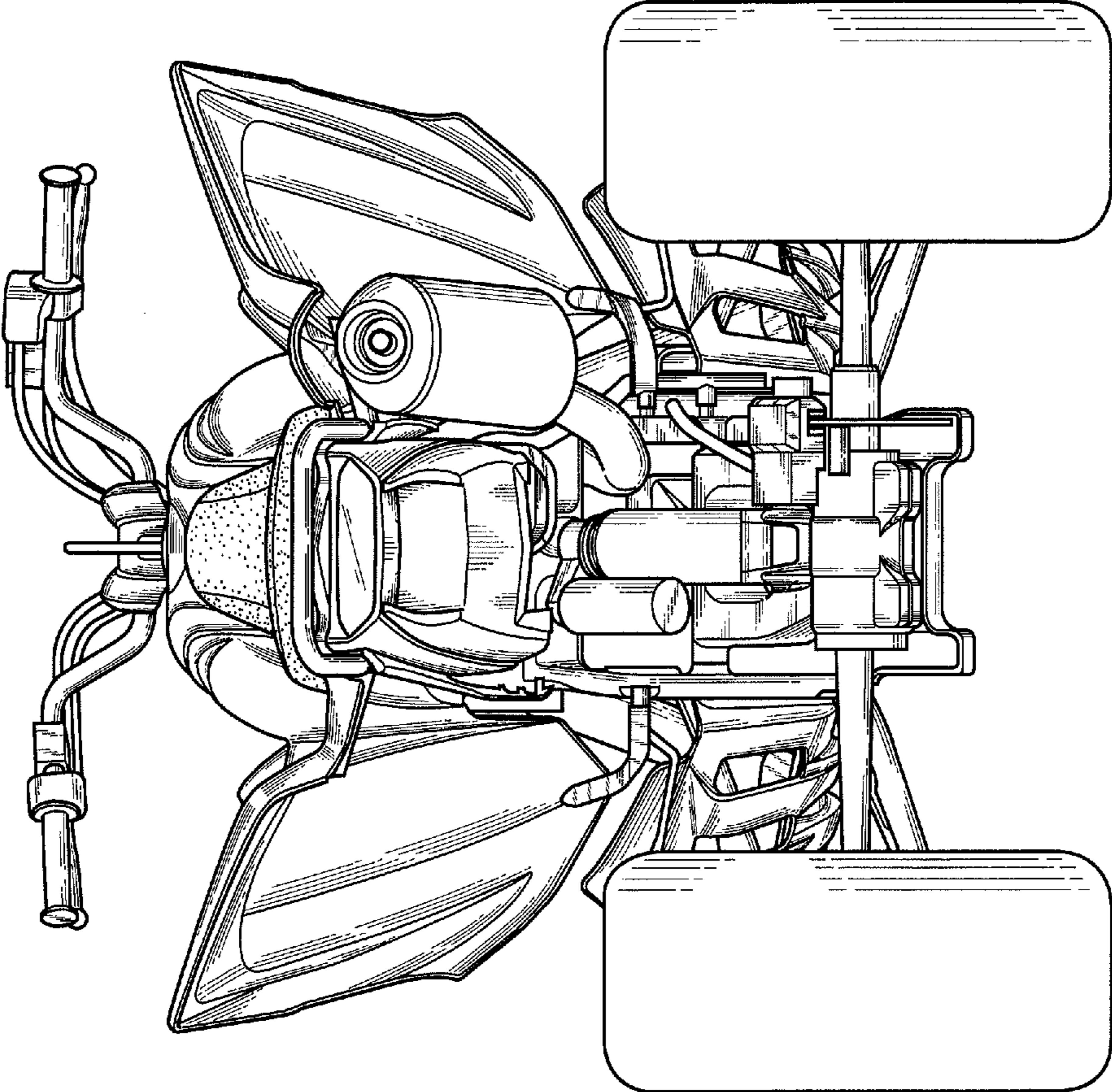


FIGURE 4

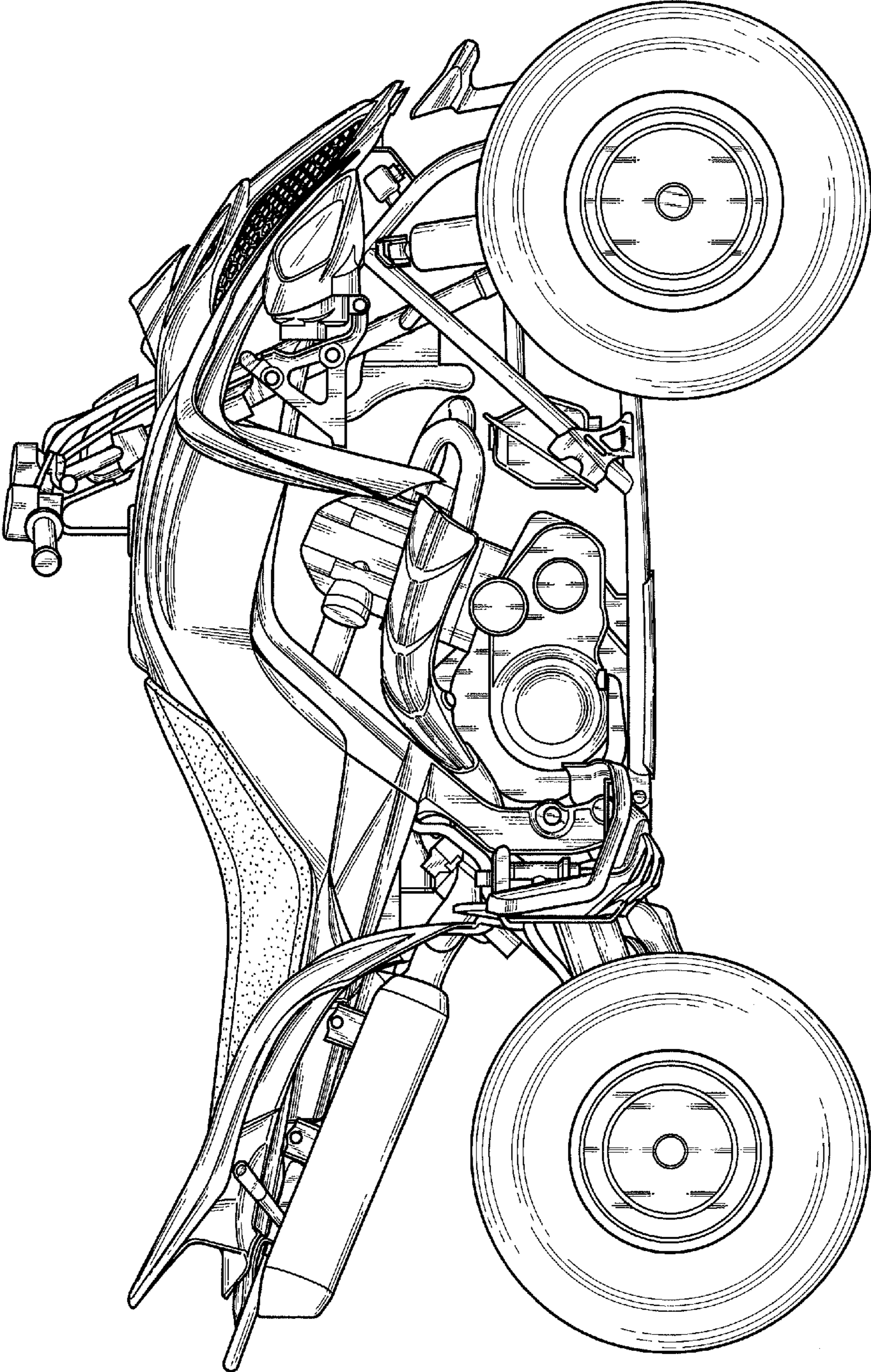


FIGURE 5

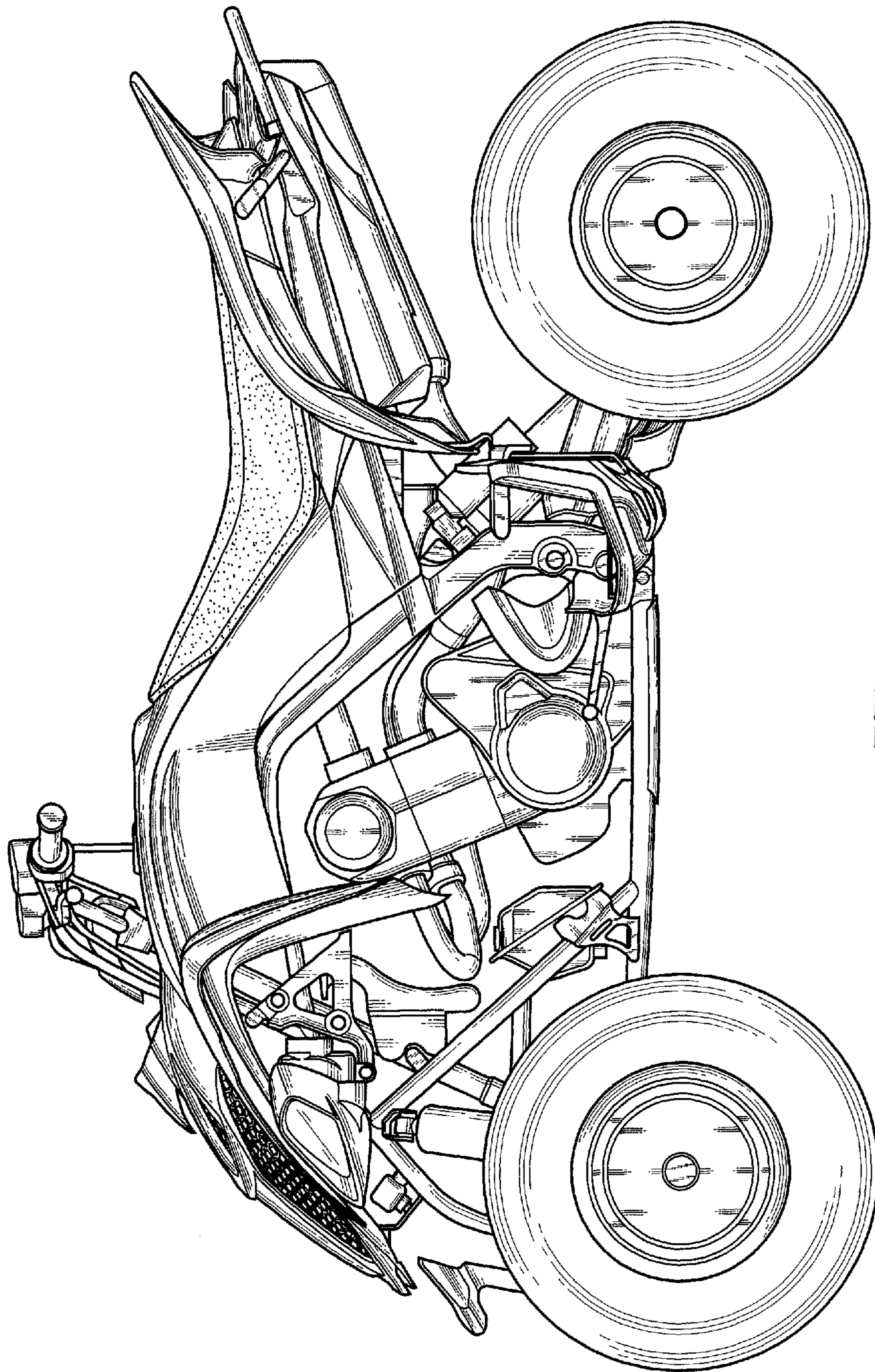


FIGURE 6

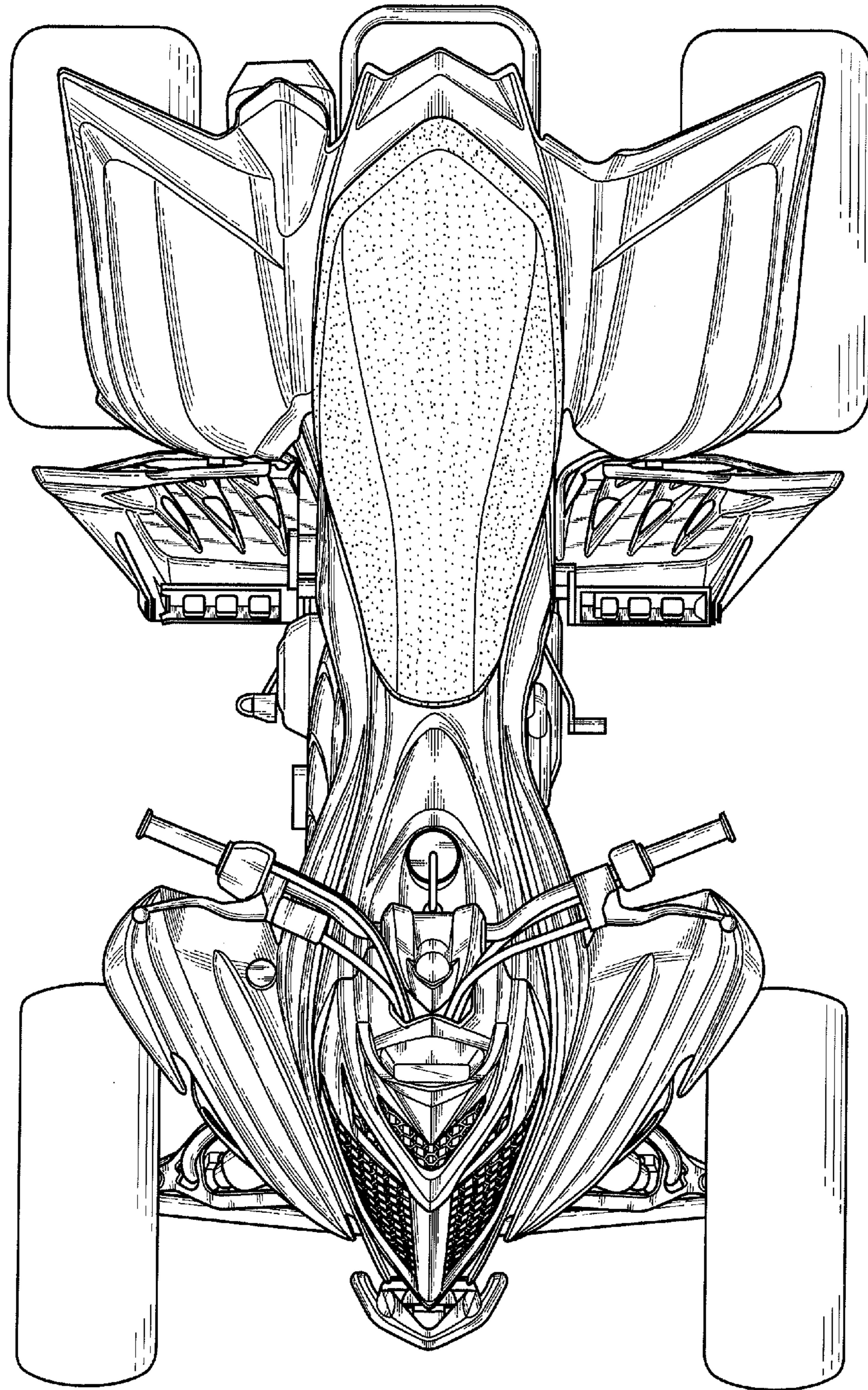


FIGURE 7

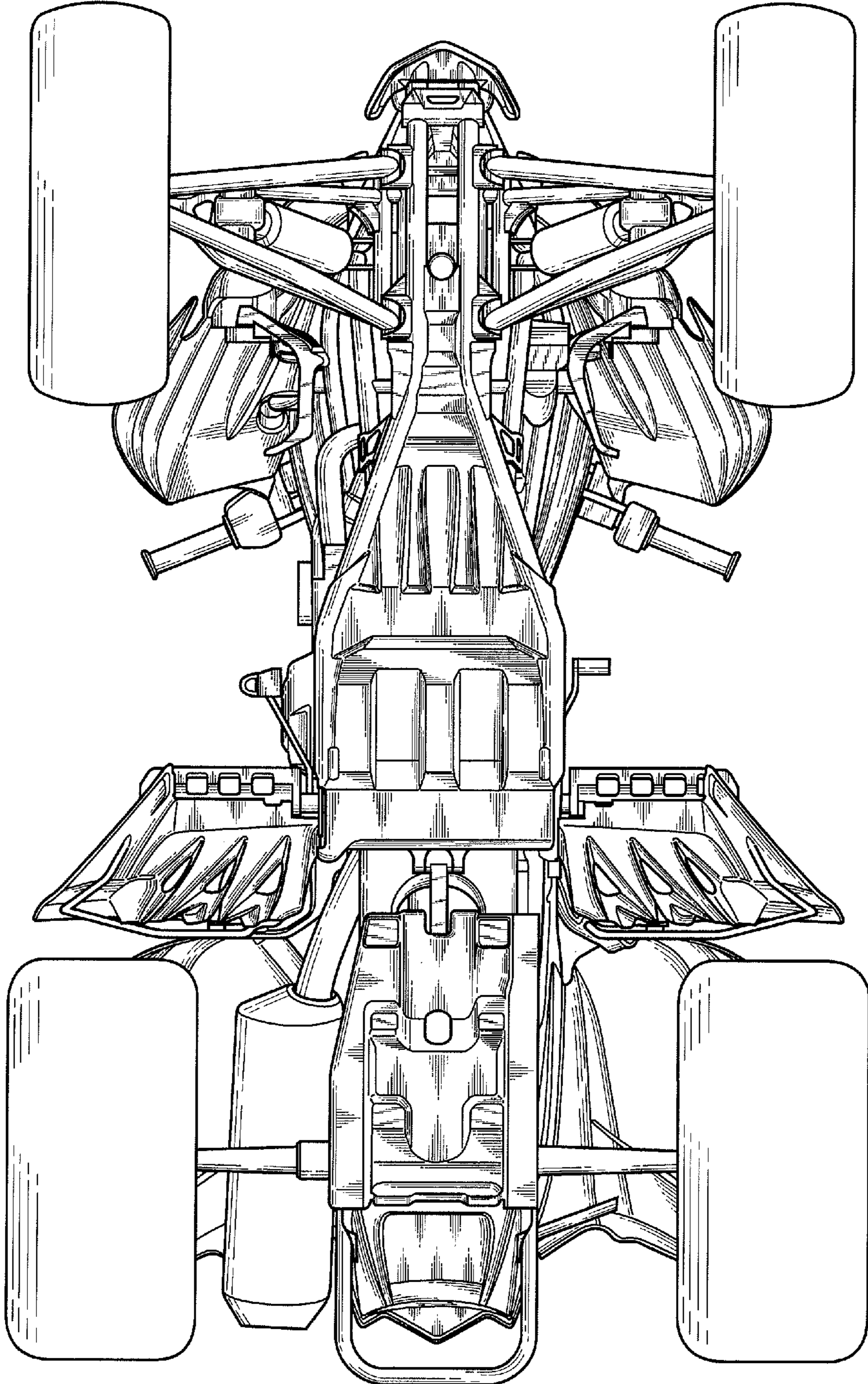


FIGURE 8