



US00D670614S

(12) **United States Design Patent**
Parkes et al.

(10) **Patent No.:** **US D670,614 S**
(45) **Date of Patent:** **** Nov. 13, 2012**

(54) **FRONT CAP OF A RECREATIONAL VEHICLE**

(75) Inventors: **Eric J. Parkes**, Junction City, OR (US);
Patrick Quinn, White Lake, MI (US);
Robert B. Riggs, Canton, MI (US)

(73) Assignee: **International Truck Intellectual Property Company, LLC**, Lisle, IL (US)

(**) Term: **14 Years**

(21) Appl. No.: **29/397,740**

(22) Filed: **Jul. 20, 2011**

(51) **LOC (9) Cl.** **12-16**

(52) **U.S. Cl.** **D12/100**

(58) **Field of Classification Search** D12/100,
D12/196, 96, 97, 84; D21/425, 435; 280/63,
280/205, 475, 482, 647, 433; 296/156, 164,
296/166, 185, 100.01–100.08, 180.1, 180.2

See application file for complete search history.

(56) **References Cited**

U.S. PATENT DOCUMENTS

D276,710 S 12/1984 Brunger
D305,313 S 1/1990 Brunger

D331,733 S * 12/1992 Treadway D12/100
D337,552 S * 7/1993 Shea, Sr. D12/100
D368,449 S * 4/1996 Treadway et al. D12/100
D411,816 S 7/1999 Reynard
D420,309 S * 2/2000 Runfola D12/100
D619,049 S 7/2010 Beigel
D623,091 S 9/2010 Beigel
D623,092 S 9/2010 Beigel
D634,244 S 3/2011 Aris
D642,961 S 8/2011 Beigel

* cited by examiner

Primary Examiner — Melody N Brown

(74) *Attorney, Agent, or Firm* — Jeffrey P. Calfa; Mark C. Bach; Gerald W. Askew

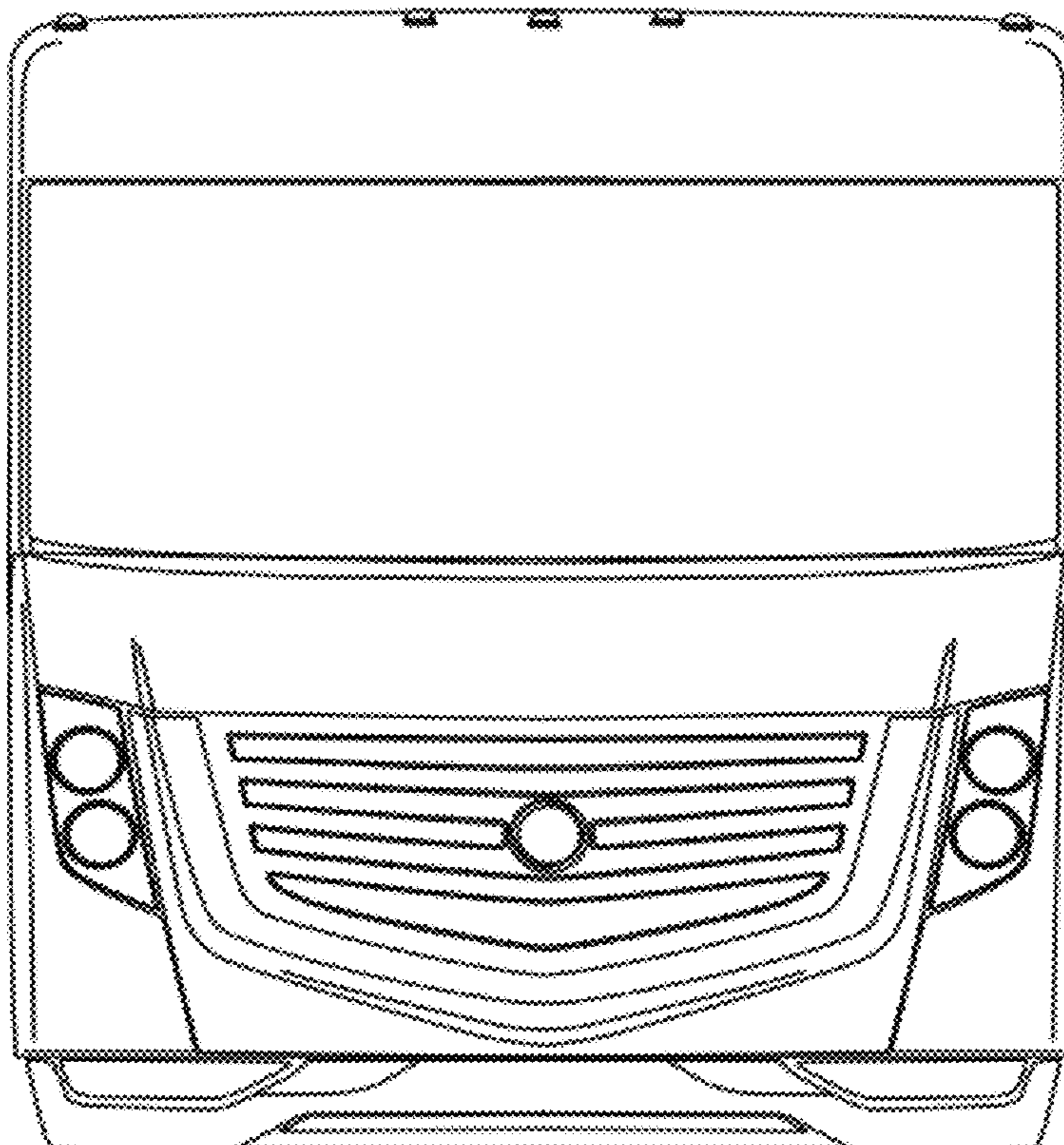
(57) **CLAIM**

The ornamental design for a front cap of a recreational vehicle, as shown and described.

DESCRIPTION

FIG. 1 is a front and left side perspective view of a front cap of a recreational vehicle showing our new design; FIG. 2 is a top plan view thereof; FIG. 3 is a front elevation view thereof; FIG. 4 is a right side elevation view thereof; and, FIG. 5 is a left side elevation view thereof.

1 Claim, 3 Drawing Sheets



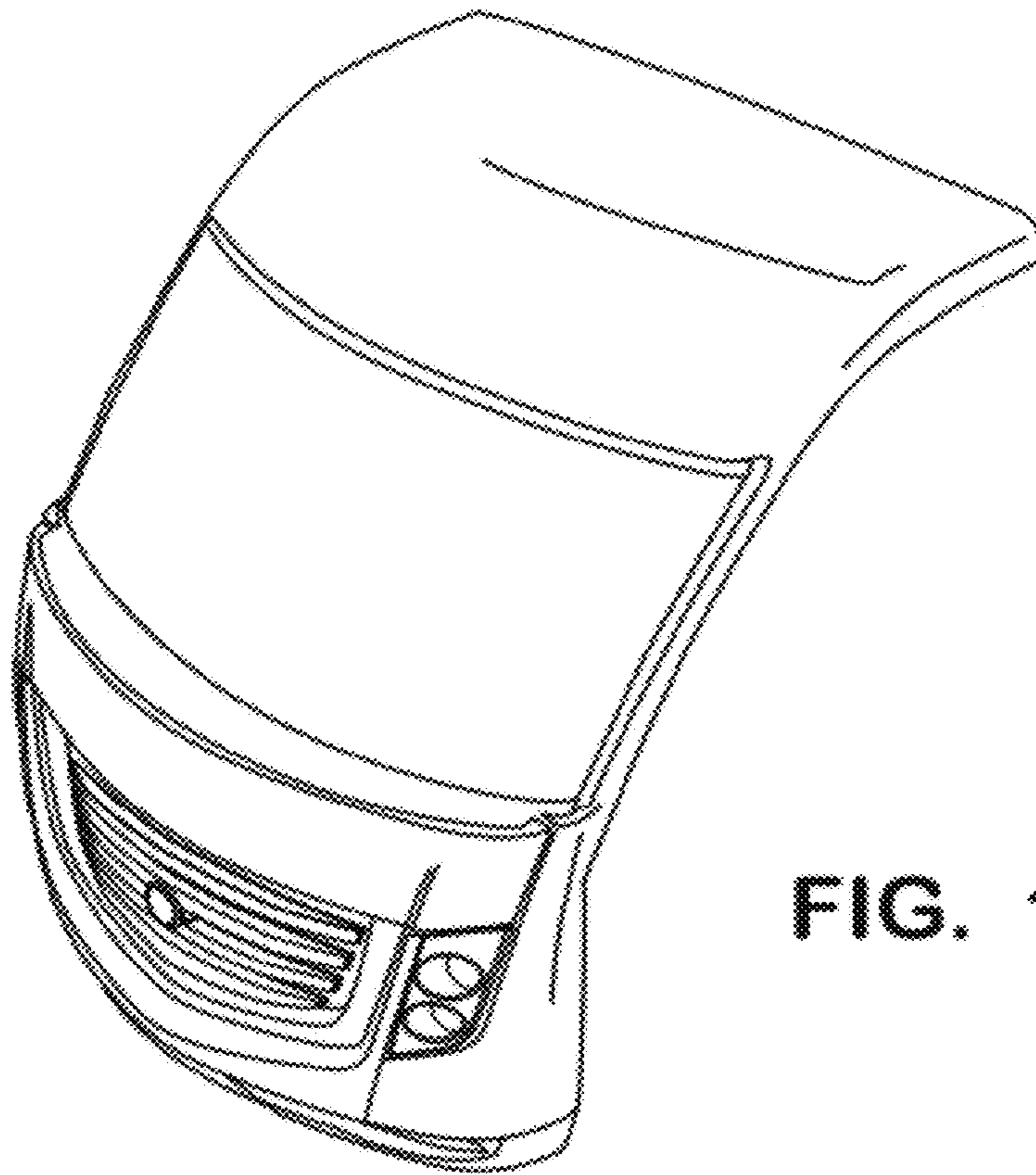


FIG. 1

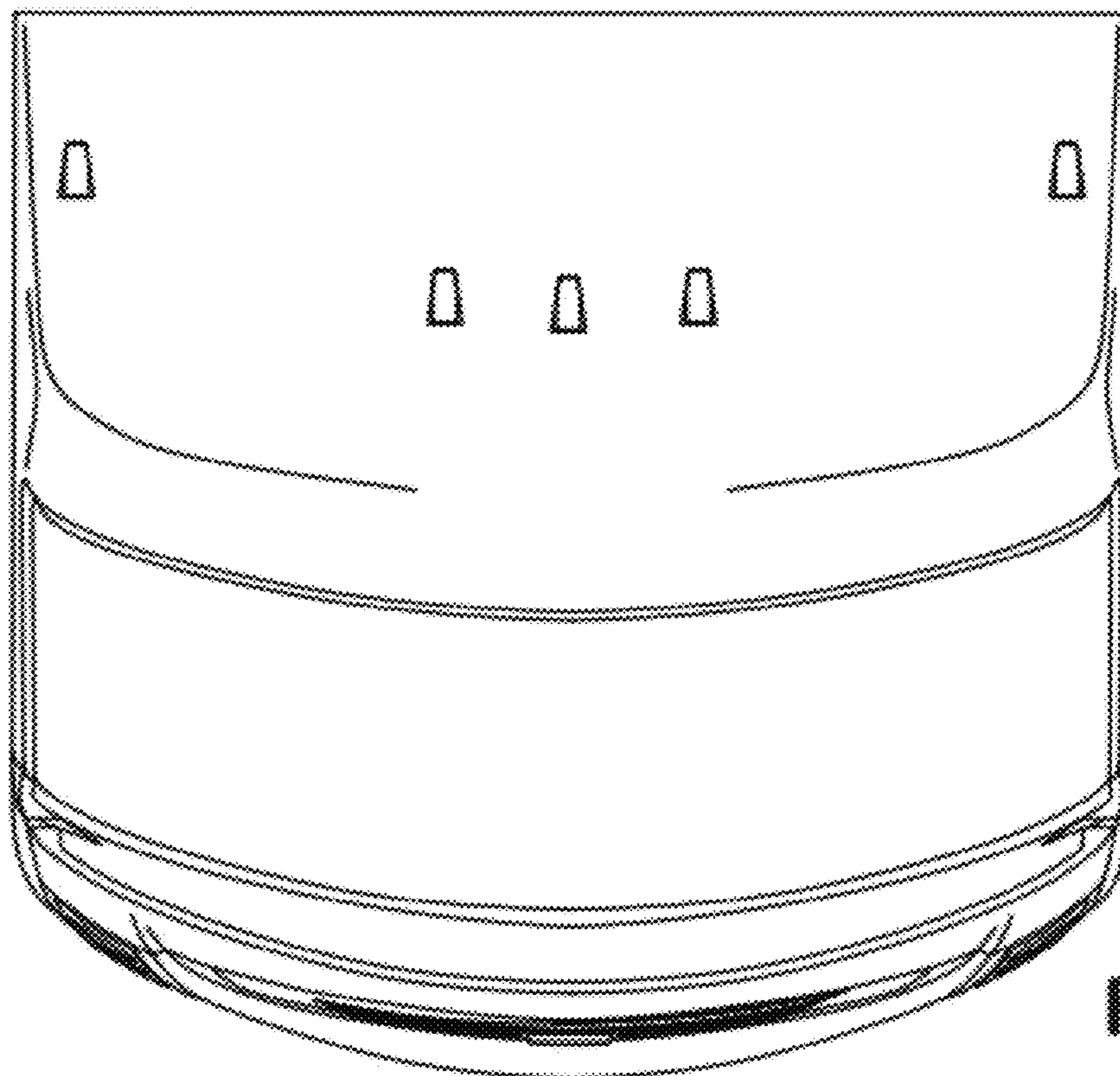


FIG. 2

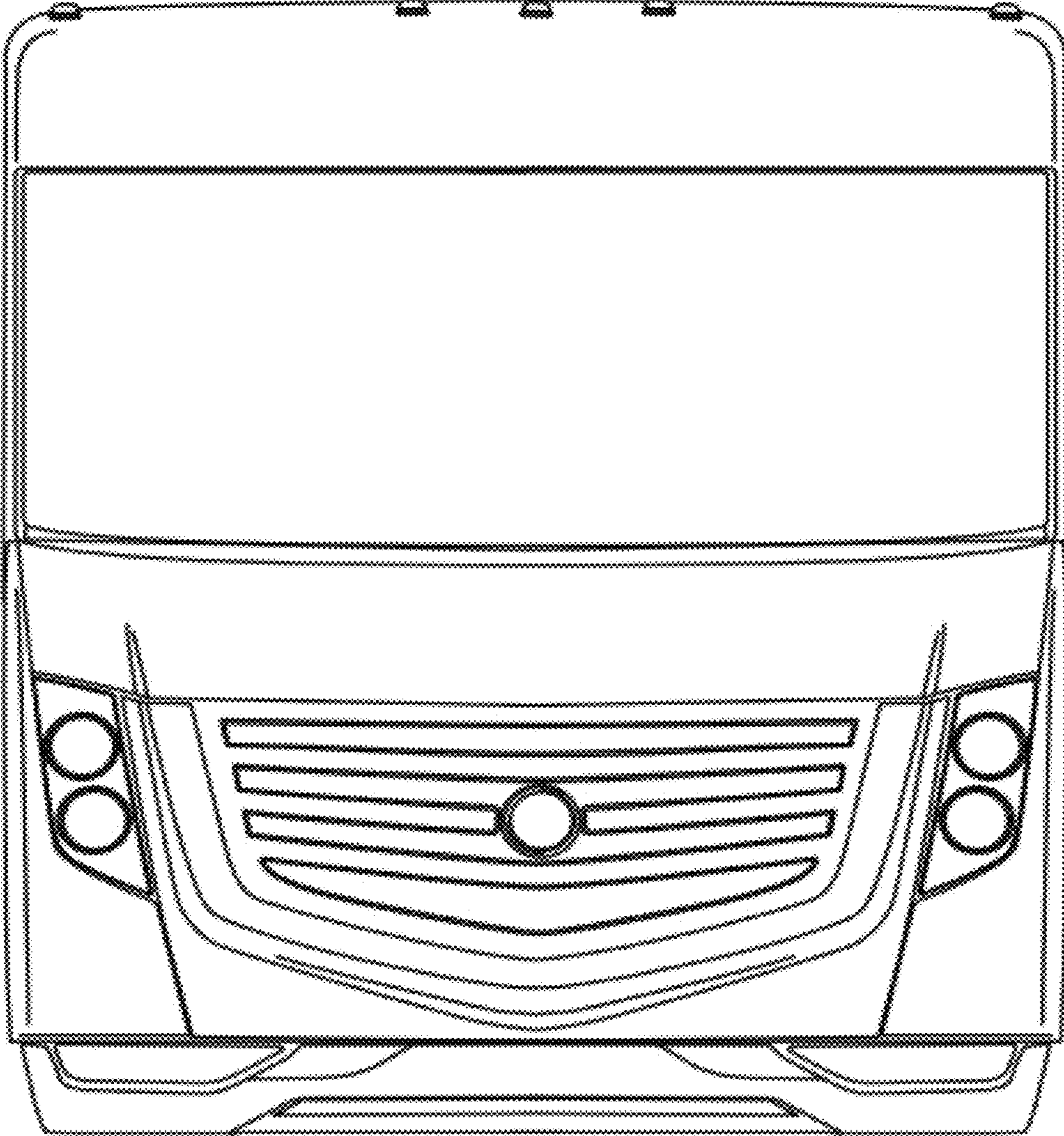


FIG. 3

FIG. 4

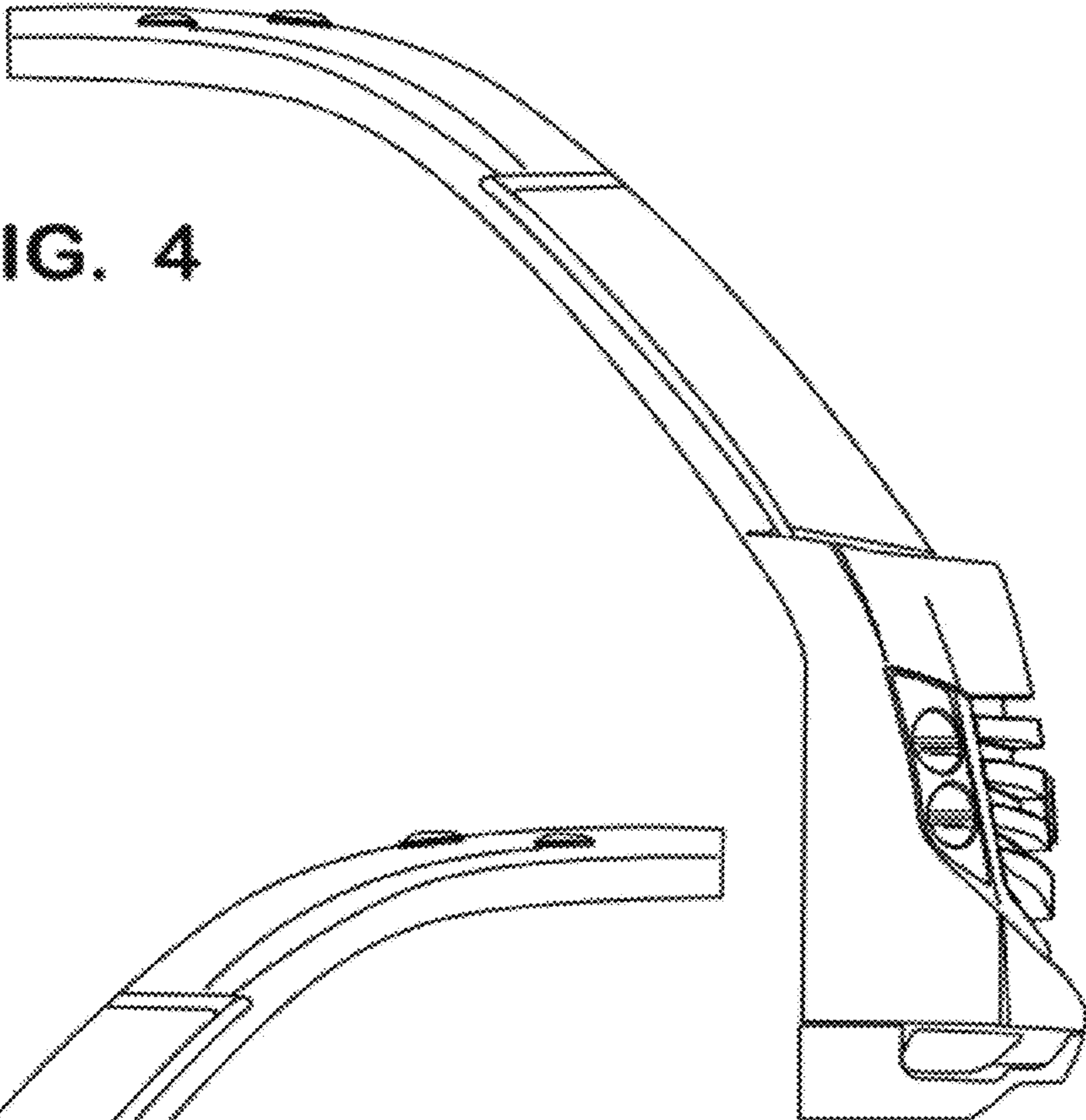


FIG. 5

