



US00D670612S

(12) **United States Design Patent**  
**Parkes et al.**

(10) **Patent No.:** **US D670,612 S**

(45) **Date of Patent:** **\*\* Nov. 13, 2012**

(54) **FRONT CAP OF A RECREATIONAL  
VEHICLE**

(75) Inventors: **Eric J. Parkes**, Junction City, OR (US);  
**Patrick Quinn**, White Lake, MI (US); **L.  
David Allendorph**, Fort Wayne, IN  
(US); **Zachary Whitaker**, Detroit, MI  
(US)

(73) Assignee: **International Truck Intellectual  
Property Company, LLC**, Lisle, IL  
(US)

(\*\*) Term: **14 Years**

(21) Appl. No.: **29/397,713**

(22) Filed: **Jul. 20, 2011**

(51) **LOC (9) Cl.** ..... **12-16**

(52) **U.S. Cl.** ..... **D12/100**

(58) **Field of Classification Search** ..... D12/100,  
D12/196, 96, 97, 84; D21/425, 435; 280/63,  
280/205, 475, 482, 647, 433; 296/156, 164,  
296/166, 185, 100.01–100.08, 180.1, 180.2

See application file for complete search history.

(56) **References Cited**

U.S. PATENT DOCUMENTS

D276,710 S	12/1984	Brunger	
D305,313 S	1/1990	Brunger	
D331,733 S *	12/1992	Treadway	D12/100
D337,552 S *	7/1993	Shea, Sr.	D12/100
D368,449 S *	4/1996	Treadway et al.	D12/100
D411,816 S	7/1999	Reynard	
D420,309 S *	2/2000	Runfola	D12/100
D619,049 S	7/2010	Beigel	
D623,091 S	9/2010	Beigel	
D623,092 S	9/2010	Beigel	
D634,244 S	3/2011	Aris	
D642,961 S	8/2011	Beigel	

\* cited by examiner

*Primary Examiner* — Melody N Brown

(74) *Attorney, Agent, or Firm* — Jeffrey P. Calfa; Mark C. Bach; Gerald W. Askew

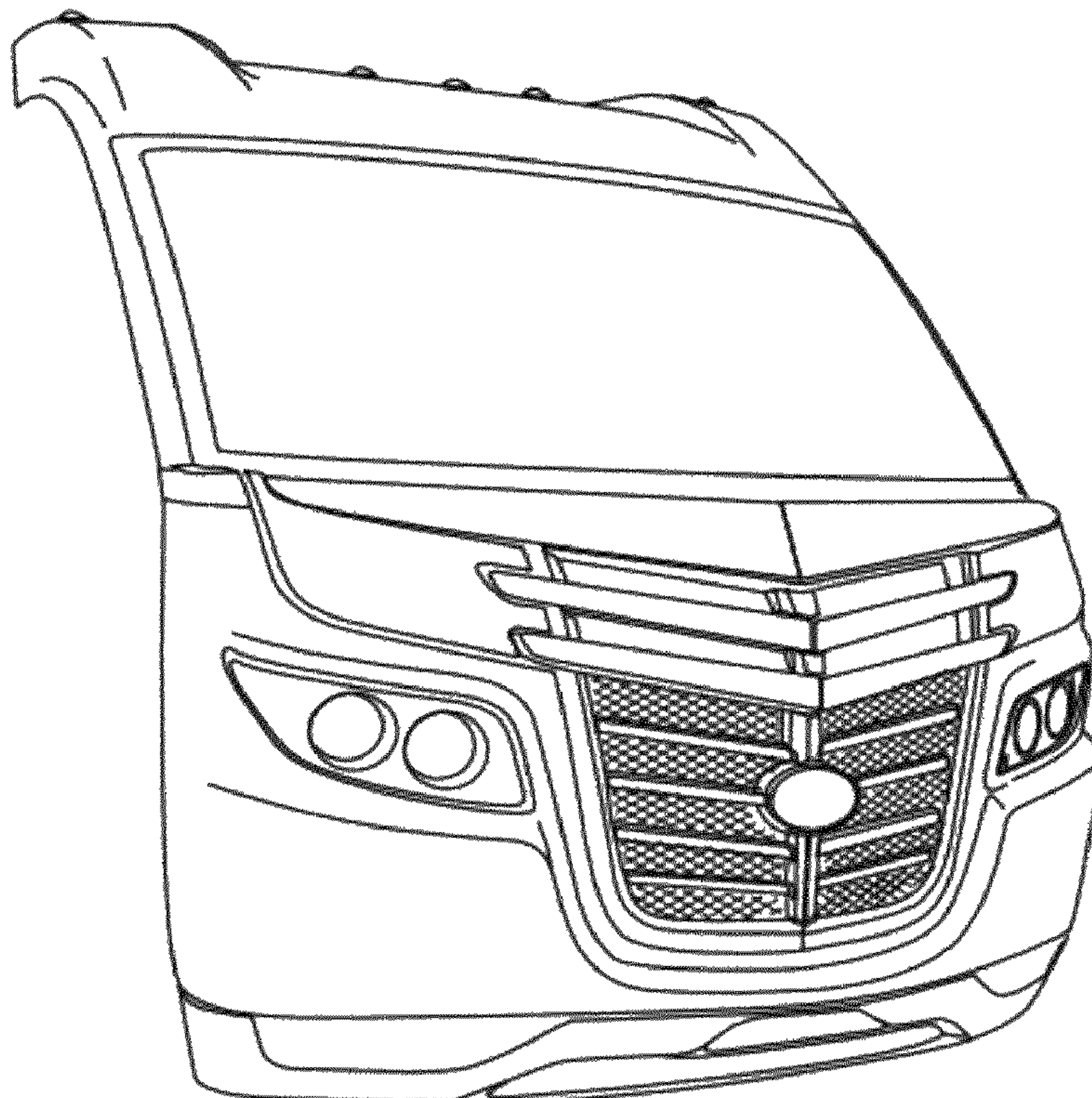
(57) **CLAIM**

The ornamental design for a front cap of a recreational vehicle, as shown and described.

**DESCRIPTION**

FIG. 1 is a front and right side perspective view of a front cap of a recreational vehicle showing our new design; FIG. 2 is a top plan view thereof; FIG. 3 is a front elevation view thereof; FIG. 4 is a right side elevation view thereof; and, FIG. 5 is a left elevation view thereof.

**1 Claim, 3 Drawing Sheets**



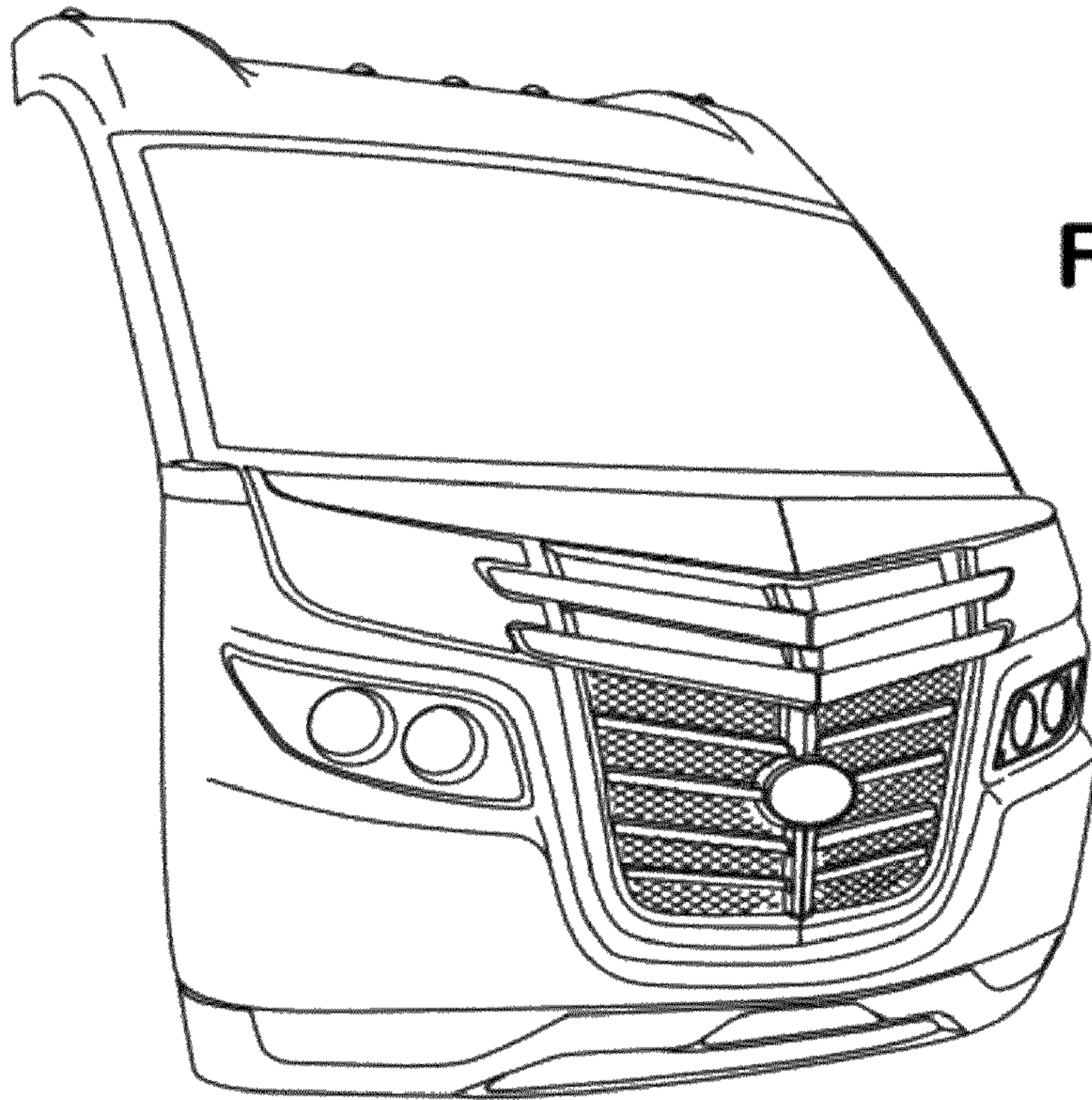


FIG. 1

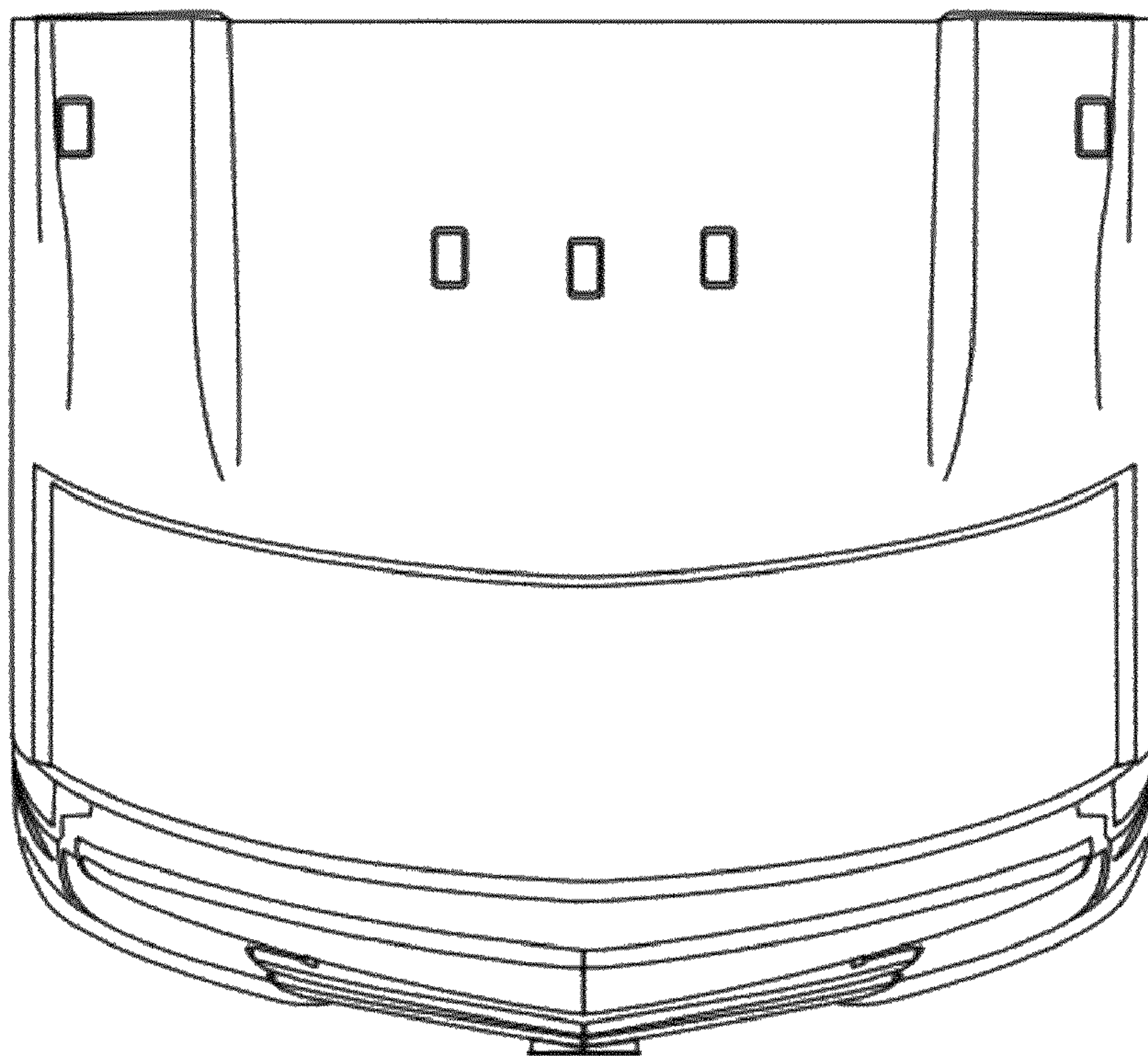


FIG. 2

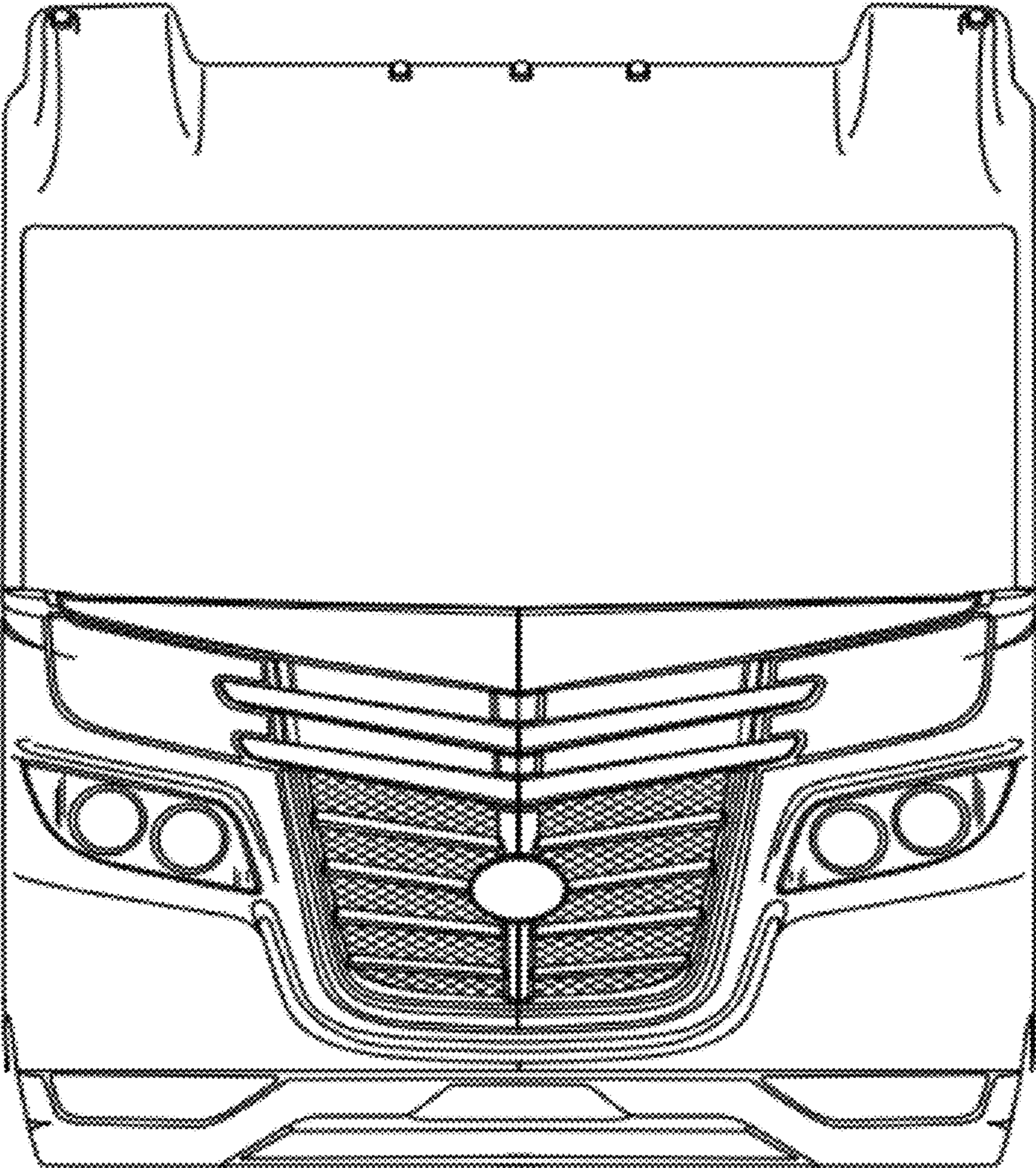


FIG. 3

FIG. 4

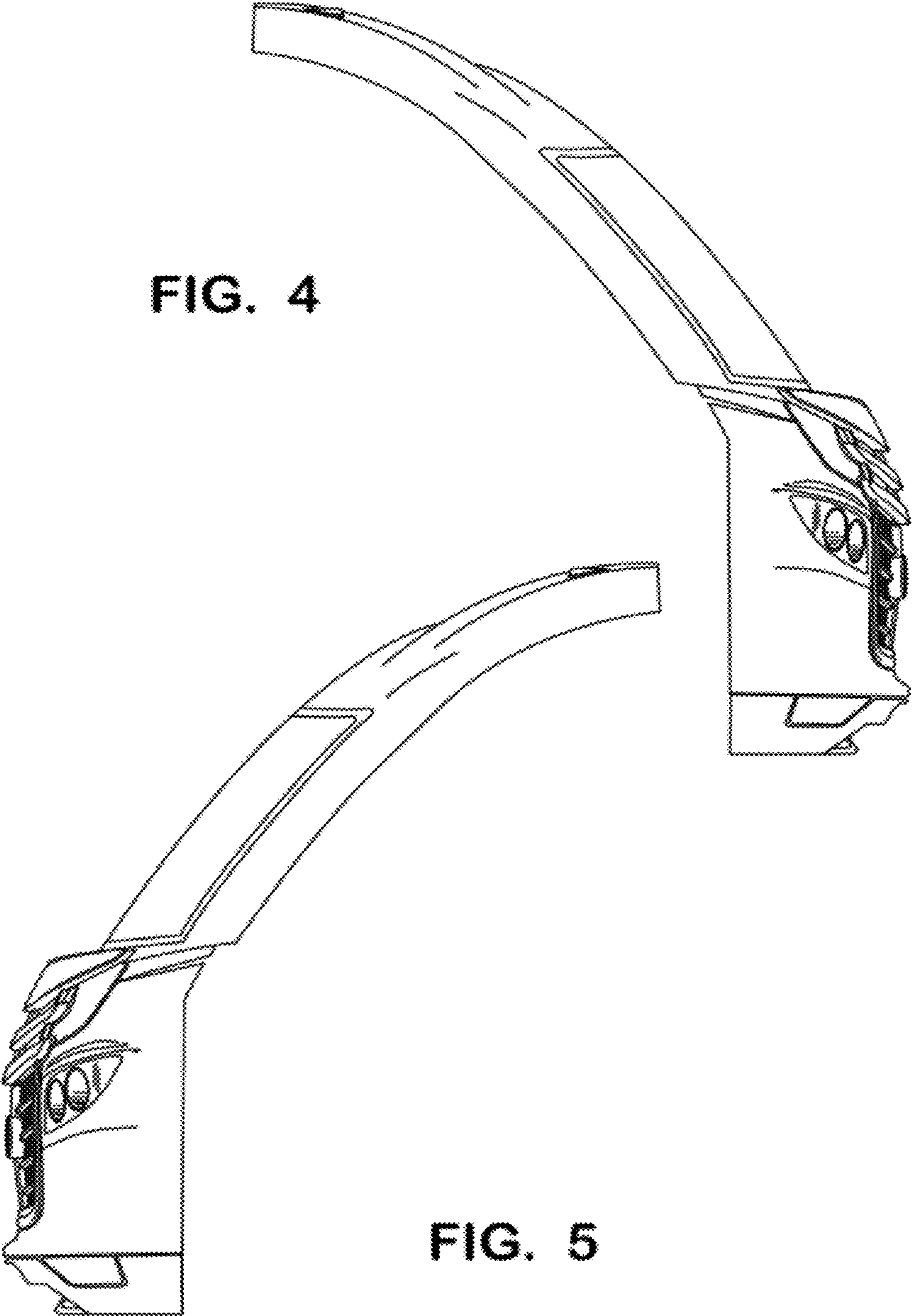


FIG. 5