

US00D670611S

(12) **United States Design Patent**
Riggs et al.

(10) **Patent No.:** **US D670,611 S**

(45) **Date of Patent:** **** Nov. 13, 2012**

(54) **REAR CAP OF A RECREATIONAL VEHICLE**

(56)

References Cited

(75) Inventors: **Robert B. Riggs**, Canton, MI (US);
David P. Owsen, Harper Woods, MI
(US); **Eric J. Parkes**, Junction City, OR
(US)

U.S. PATENT DOCUMENTS

D331,733 S	*	12/1992	Treadway	D12/100
D337,552 S	*	7/1993	Shea, Sr.	D12/100
D368,449 S	*	4/1996	Treadway et al.	D12/100
D420,309 S	*	2/2000	Runfola	D12/100

* cited by examiner

(73) Assignee: **International Truck Intellectual
Property Company, LLC**, Lisle, IL
(US)

Primary Examiner — Melody N Brown

(74) *Attorney, Agent, or Firm* — Jeffrey P. Calfa; Mark C.
Bach; Gerald W. Askew

(**) Term: **14 Years**

(57) **CLAIM**

(21) Appl. No.: **29/396,079**

The ornamental design for a rear cap of a recreational vehicle,
as shown and described.

DESCRIPTION

(22) Filed: **Jun. 24, 2011**

(51) **LOC (9) Cl.** **12-16**

(52) **U.S. Cl.** **D12/100**

(58) **Field of Classification Search** D12/100,
D12/196, 96, 97, 84; D21/425, 435; 280/63,
280/205, 475, 482, 647, 433; 296/156, 164,
296/166, 185, 100.01–100.08, 180.1, 180.2

FIG. 1 is a front and right side perspective view of a rear cap of
a recreational vehicle showing our new design;

FIG. 2 is a top plan view thereof;

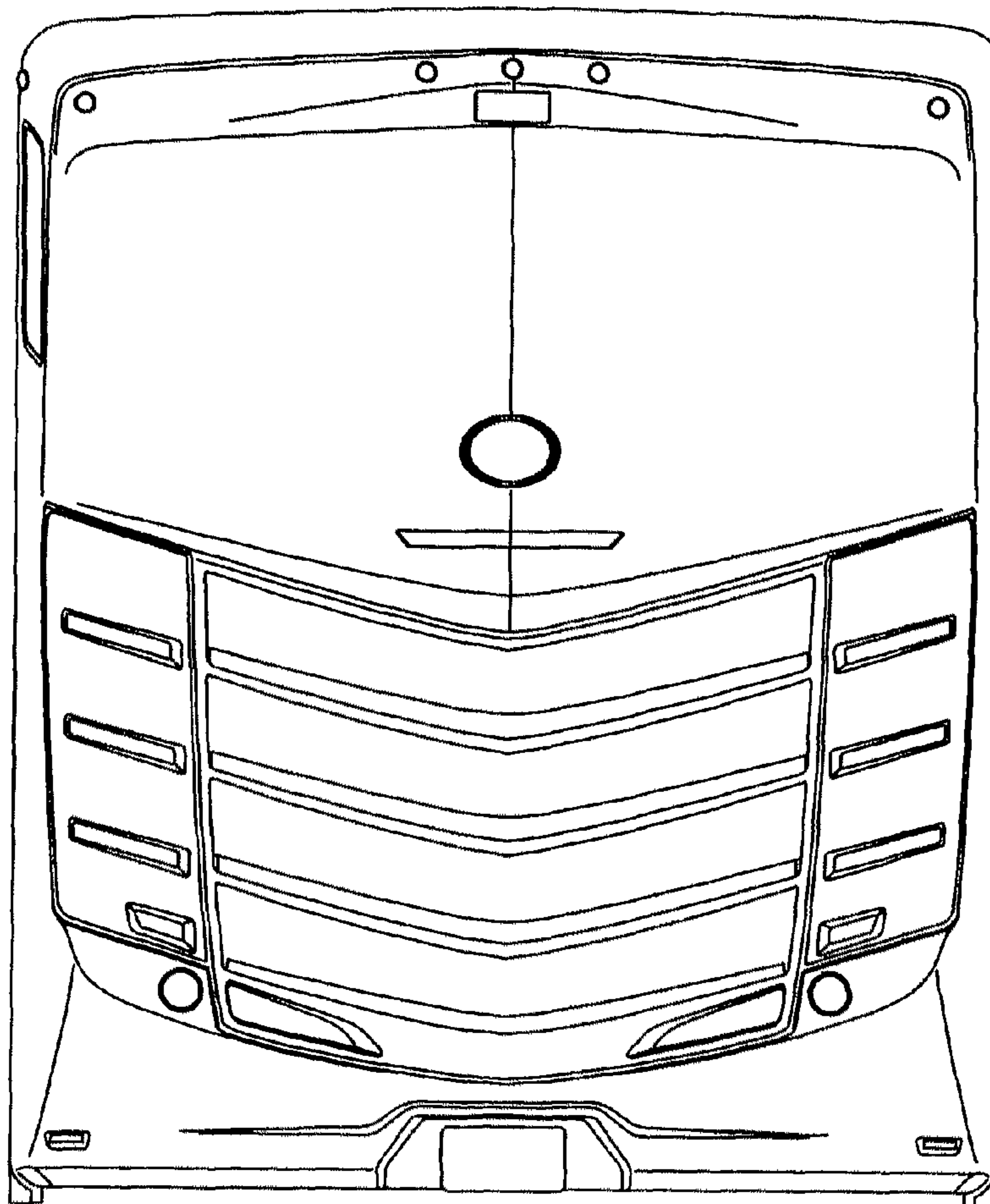
FIG. 3 is a front elevation view thereof;

FIG. 4 is a left side elevation view thereof; and,

FIG. 5 is a right side elevation view thereof.

See application file for complete search history.

1 Claim, 3 Drawing Sheets



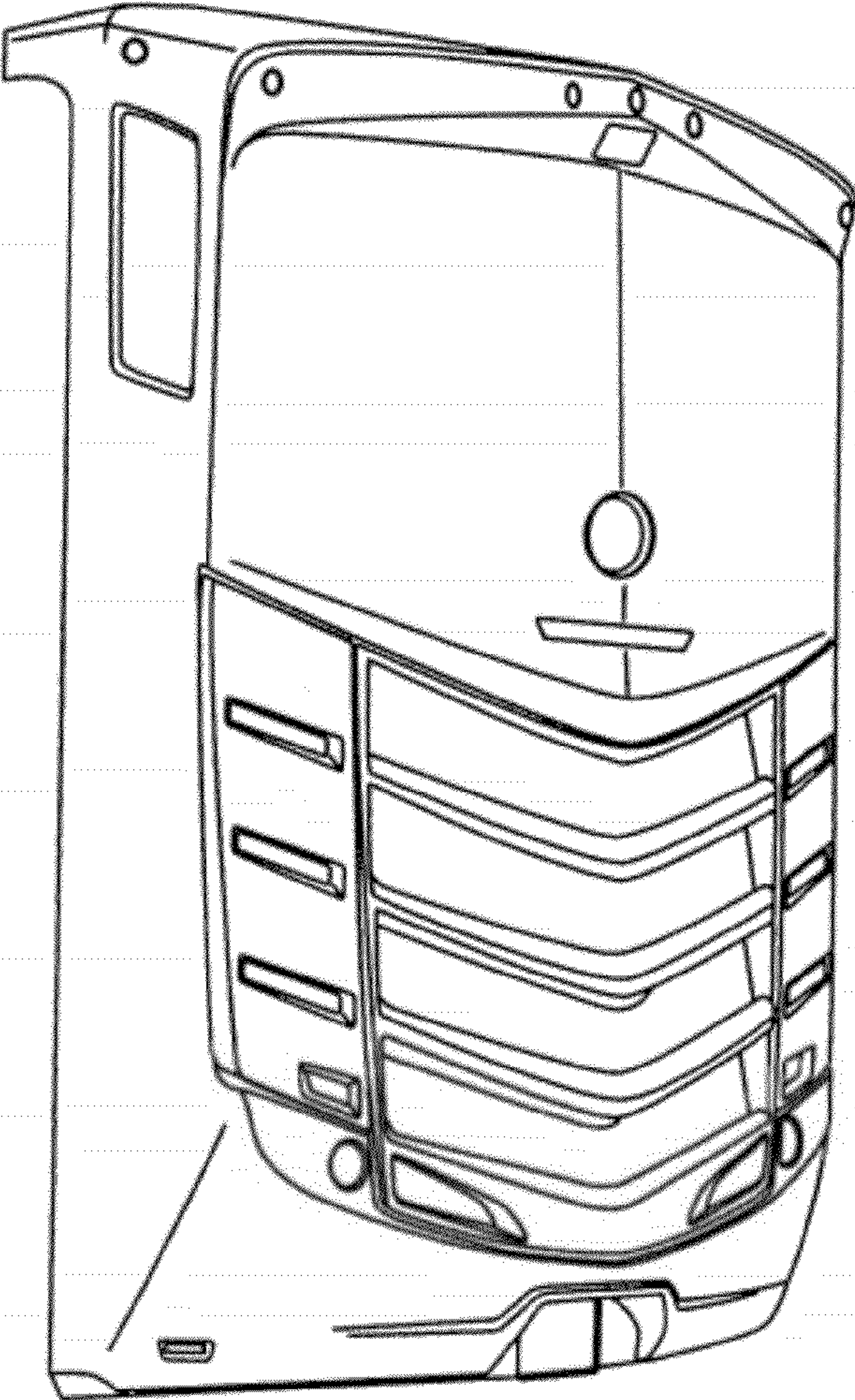
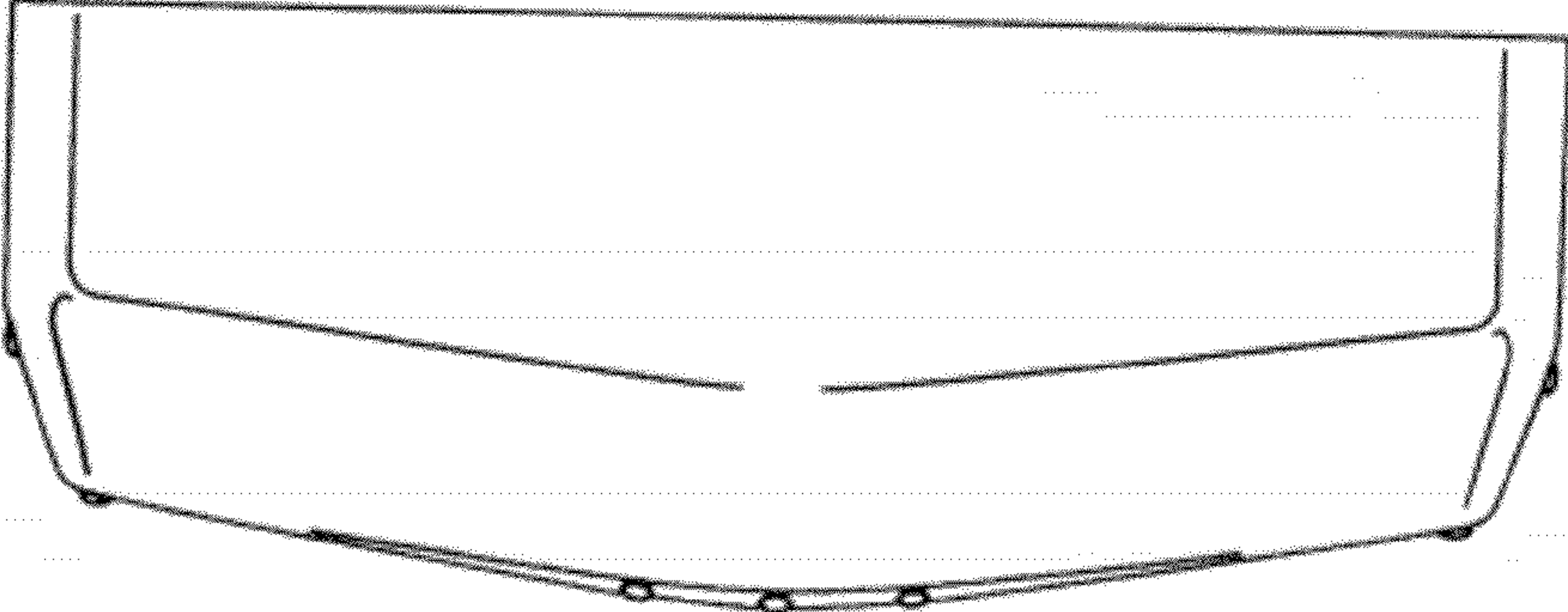


FIG. 1

FIG. 2



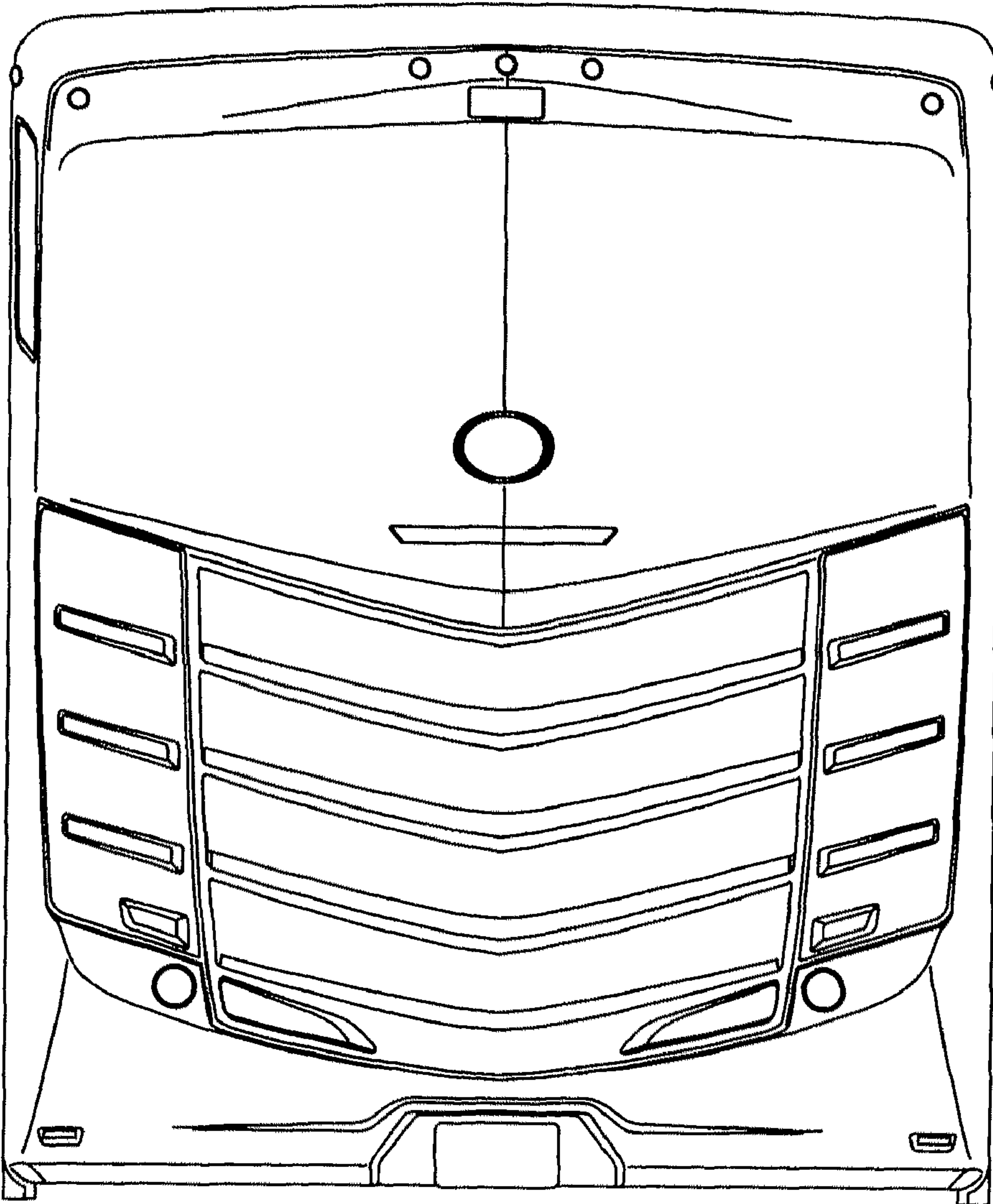


FIG. 3

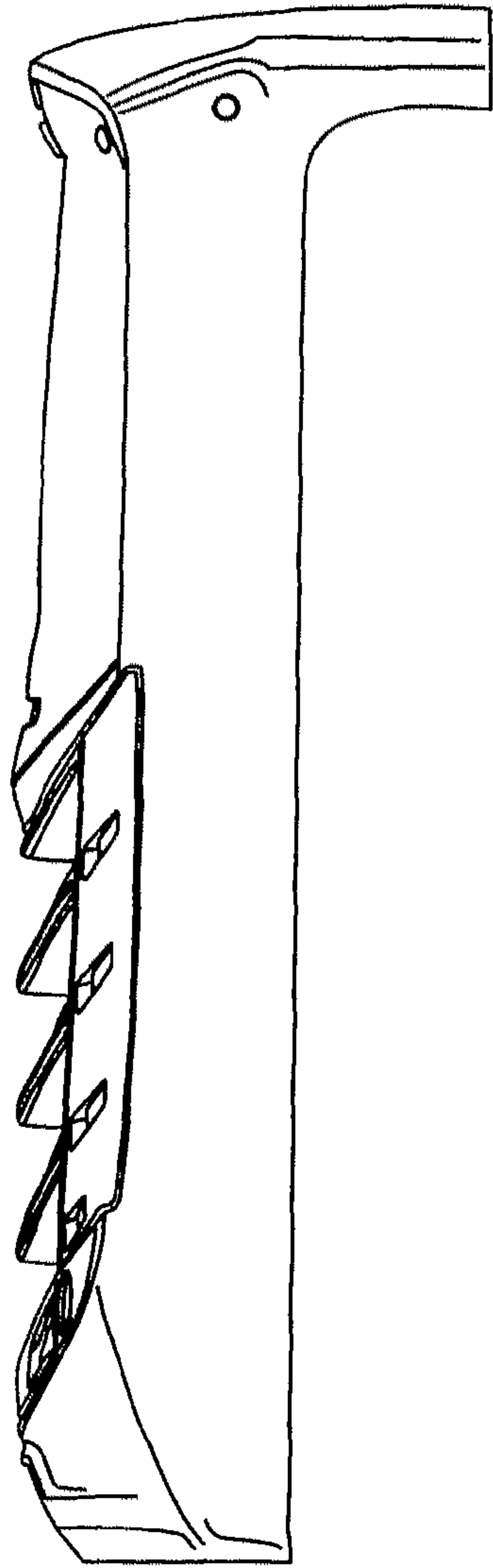


FIG. 4

FIG. 5

