



US00D670603S

(12) **United States Design Patent**
Lepine et al.

(10) **Patent No.:** **US D670,603 S**

(45) **Date of Patent:** **** Nov. 13, 2012**

(54) **SNOWMOBILE CENTRAL FAIRING**

(75) Inventors: **Christian Lepine**, Bromont (CA); **Ivan Brousseau**, Granby (CA)

(73) Assignee: **Bombardier Recreational Products Inc.**, Valcourt (CA)

(**) Term: **14 Years**

(21) Appl. No.: **29/413,609**

(22) Filed: **Feb. 17, 2012**

(51) **LOC (9) Cl.** **12-14**

(52) **U.S. Cl.** **D12/7**

(58) **Field of Classification Search** D12/7,
D12/110, 111, 9, 112, 307, 400, 86, 85, 88;
D21/533; 180/182, 190, 184-186, 9.25,
180/180, 219, 193, 194; 280/845; D6/354
See application file for complete search history.

(56) **References Cited**

U.S. PATENT DOCUMENTS

D579,380 S *	10/2008	Petit	D12/7
D580,822 S *	11/2008	Longpre et al.	D12/7
D583,708 S *	12/2008	Petit et al.	D12/7
D592,099 S *	5/2009	Longpre et al.	D12/7
D592,100 S *	5/2009	Petit	D12/7

* cited by examiner

Primary Examiner — T. Chase Nelson

Assistant Examiner — Ania Aman

(74) *Attorney, Agent, or Firm* — BCF LLP

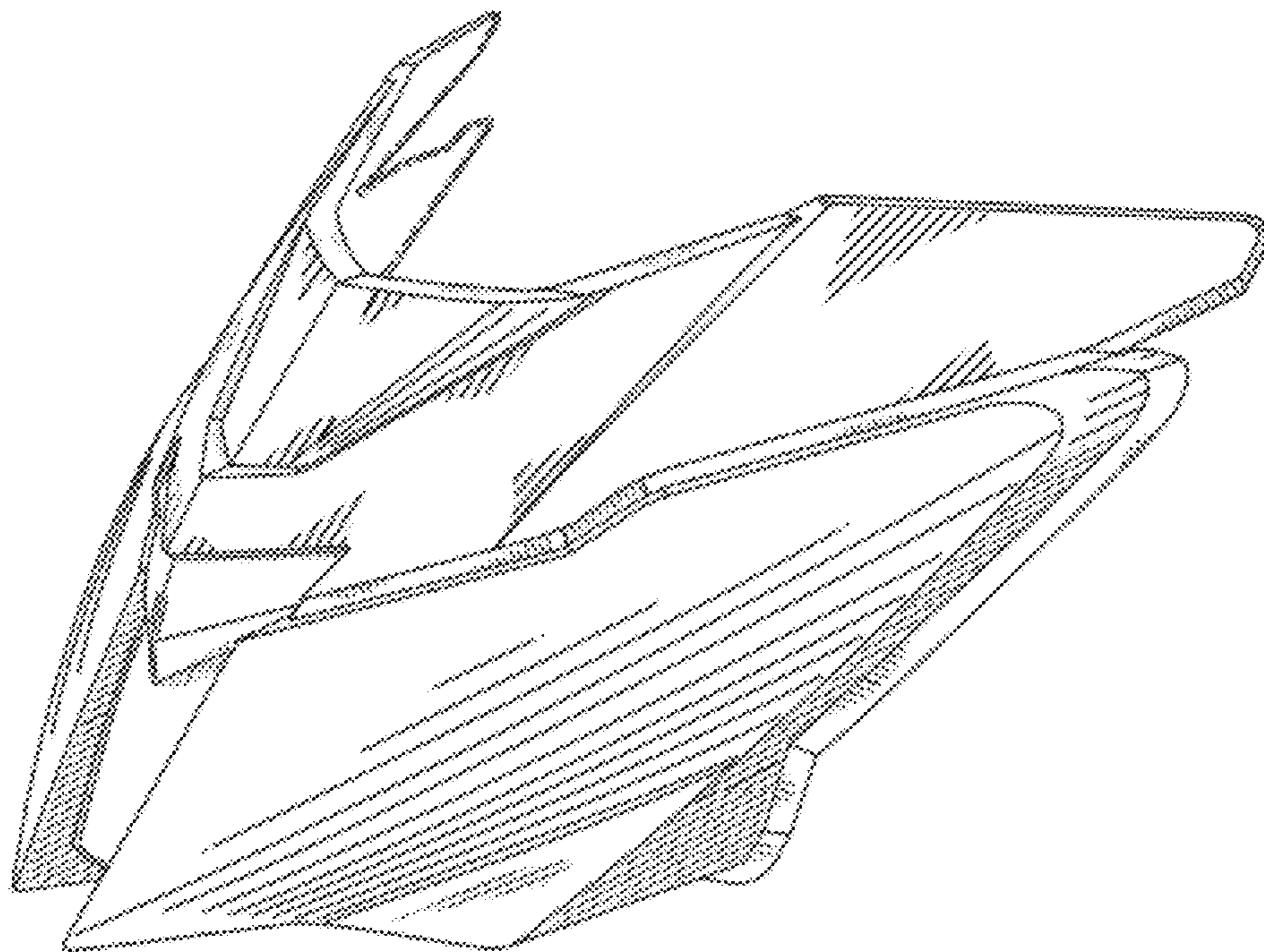
(57) **CLAIM**

The ornamental design for a snowmobile central fairing, as shown and described.

DESCRIPTION

FIG. 1 is a perspective view taken from a front, left side of a snowmobile central fairing according to our design; FIG. 2 is a perspective view taken from a rear, left side thereof; FIG. 3 is a left side elevation view thereof; FIG. 4 is a front elevation view thereof; FIG. 5 is a rear elevation view thereof; FIG. 6 is a top plan view thereof; FIG. 7 is a bottom plan view thereof; FIG. 8 is a right side elevation thereof; and, FIG. 9 is a perspective view taken from a front, left side thereof shown on a snowmobile shown in dashed lines. Throughout the Figures, where shown: (i) the dashed lines showing additional structure of the snowmobile central fairing are for illustrative purposes only and form no part of the claimed design; (ii) the unshaded surfaces form no part of the claimed design; and (iii) the dotted/dashed lines illustrate unclaimed boundaries of surfaces claimed as part of the design.

1 Claim, 9 Drawing Sheets



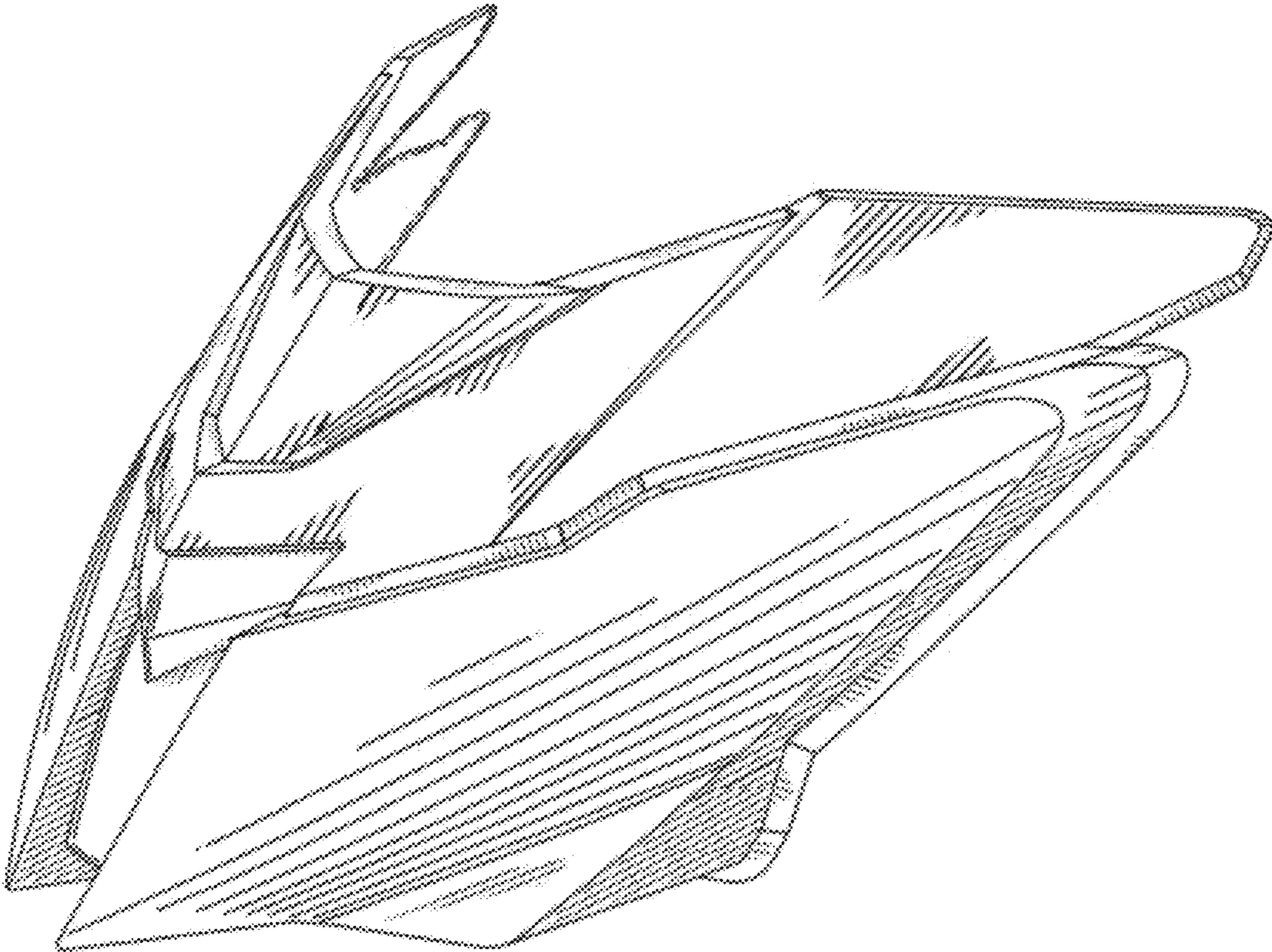


Fig.1

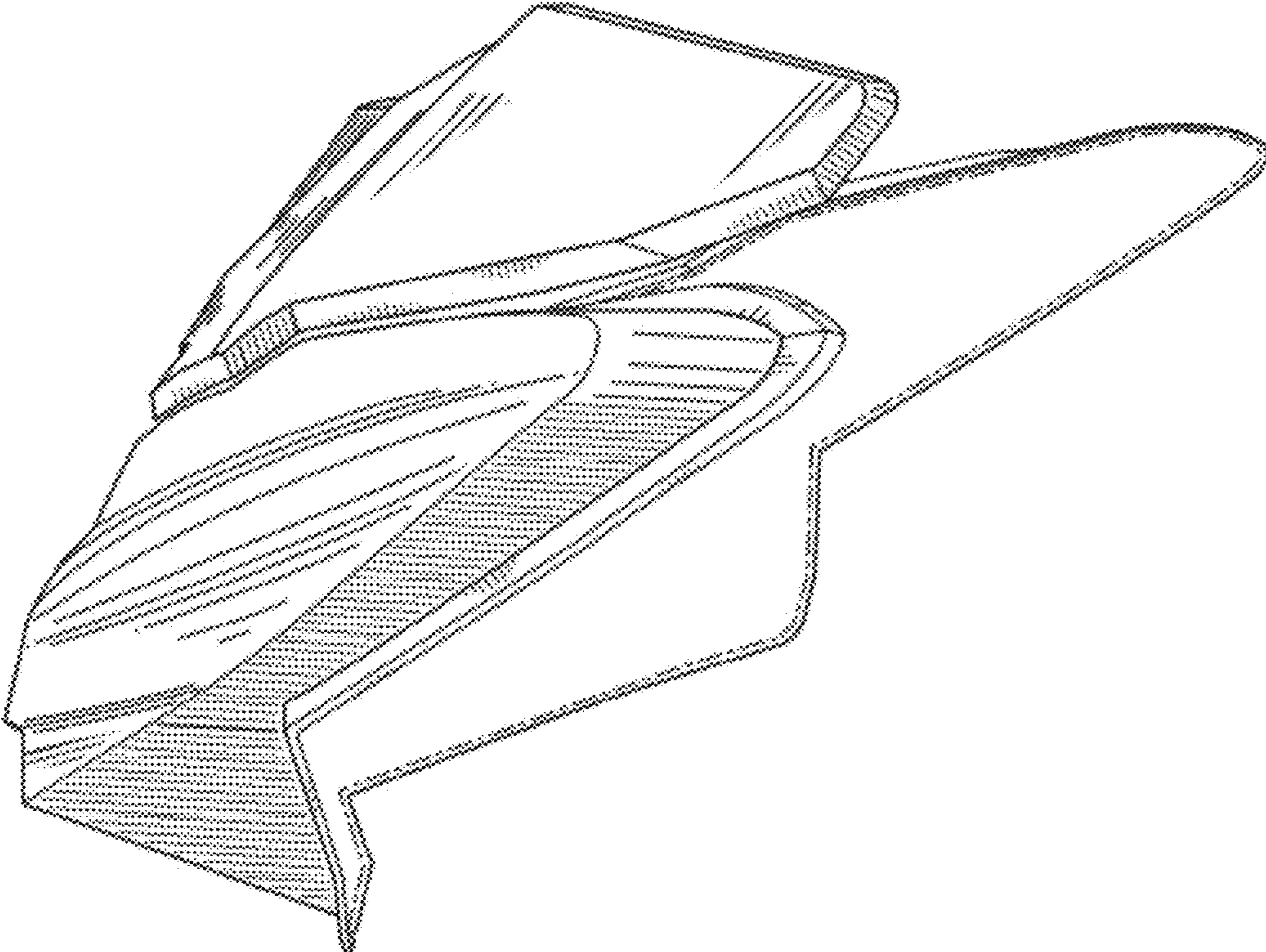


Fig.2

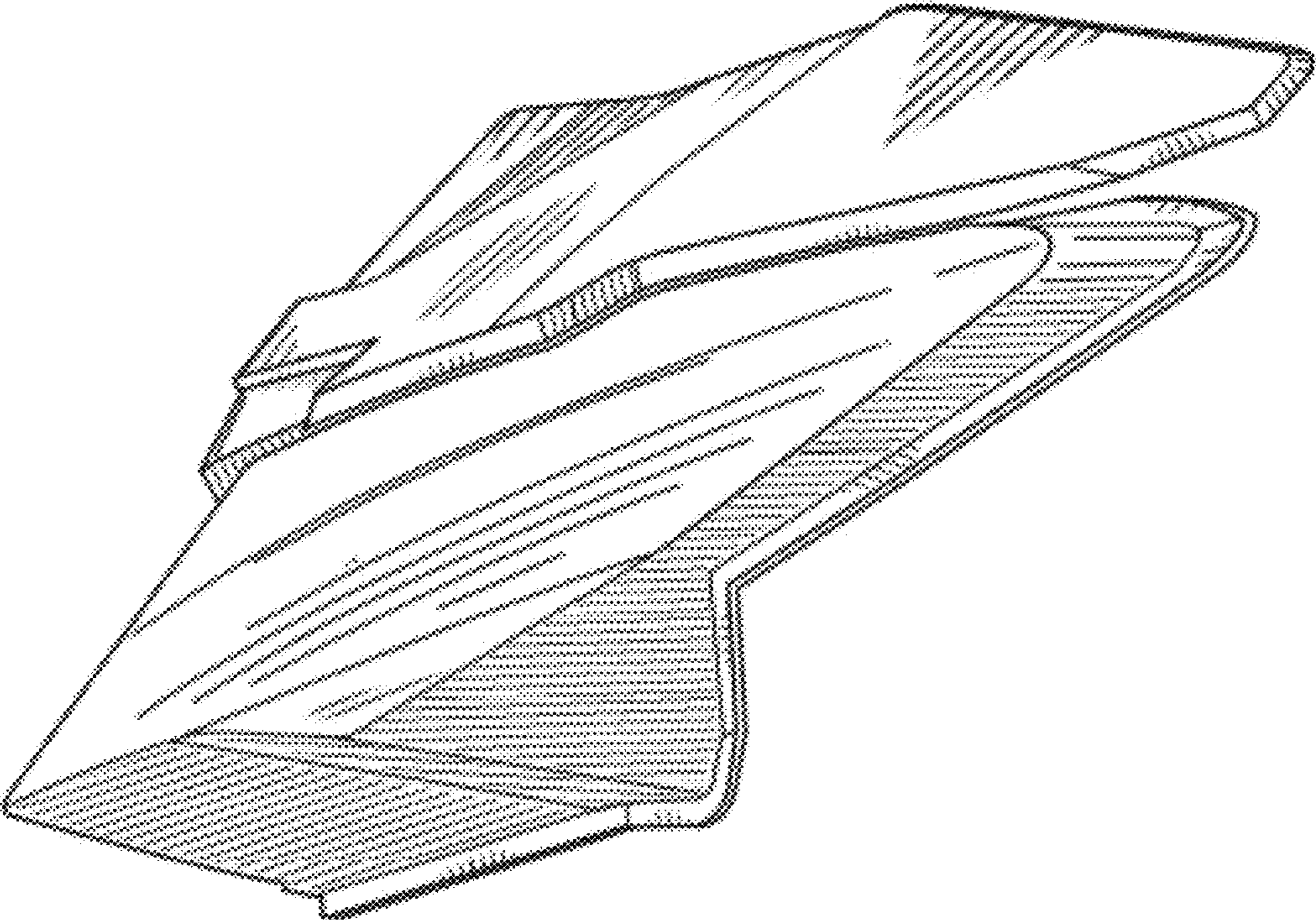


Fig.3

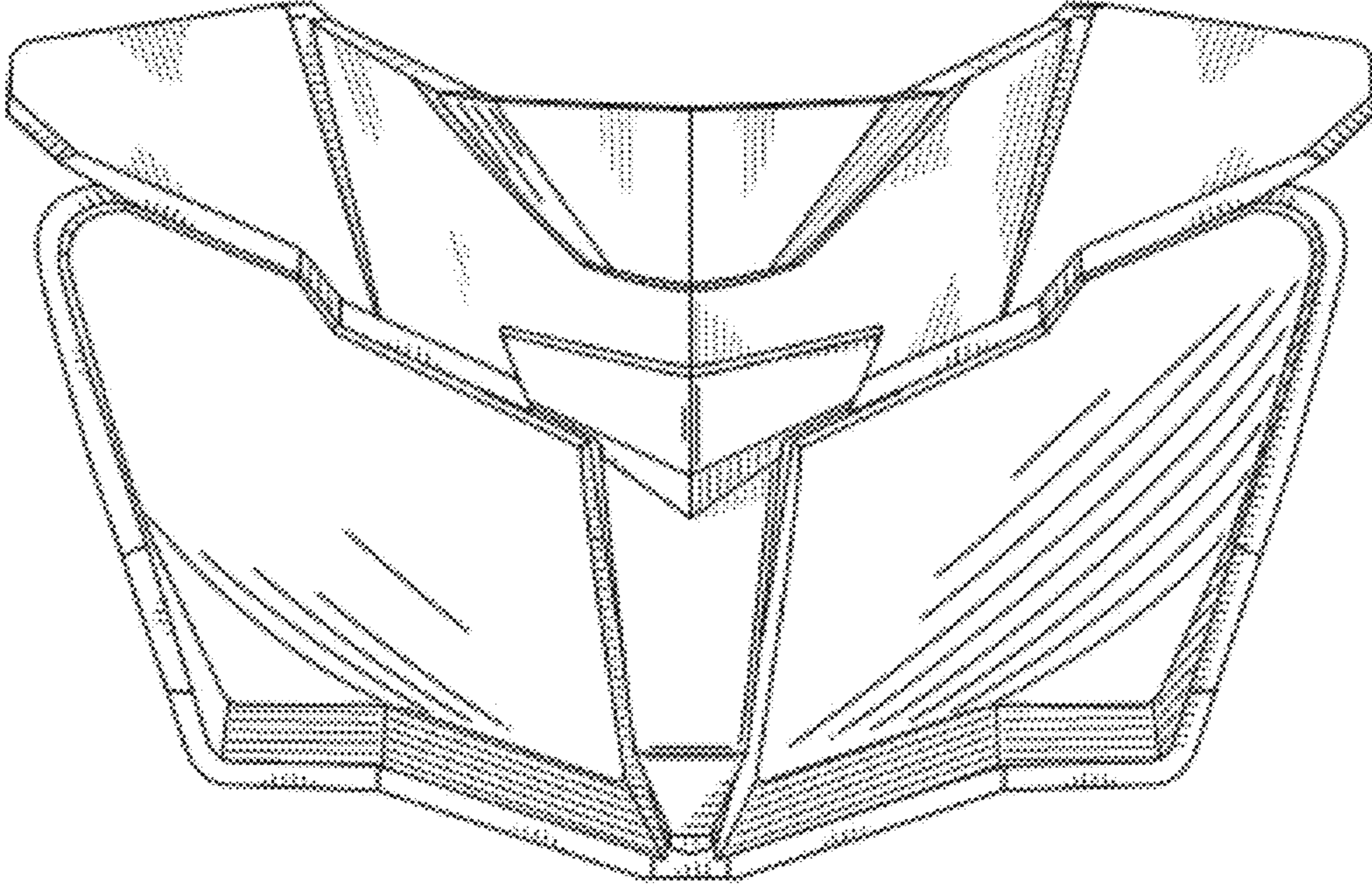


Fig.4

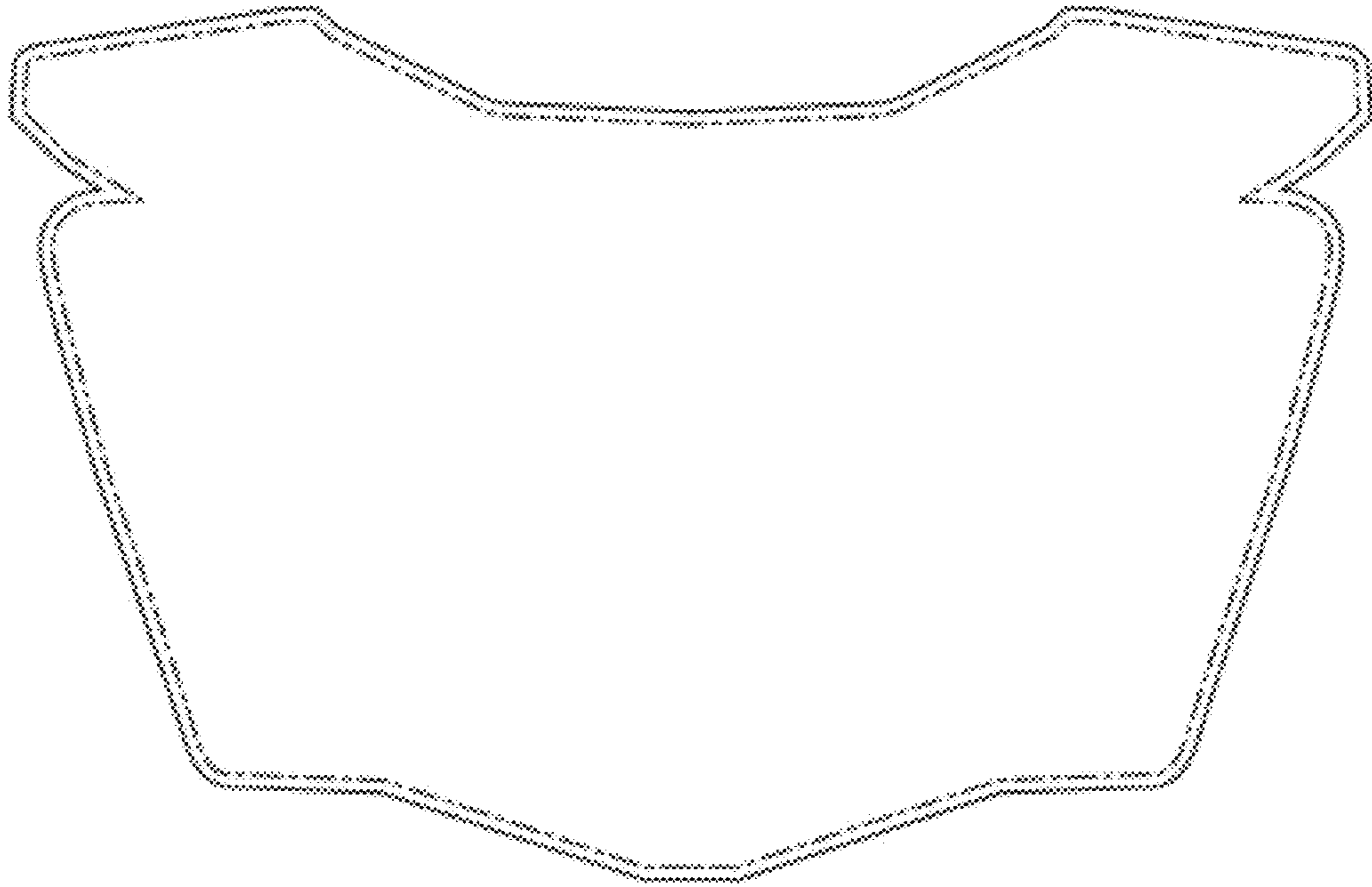


Fig.5

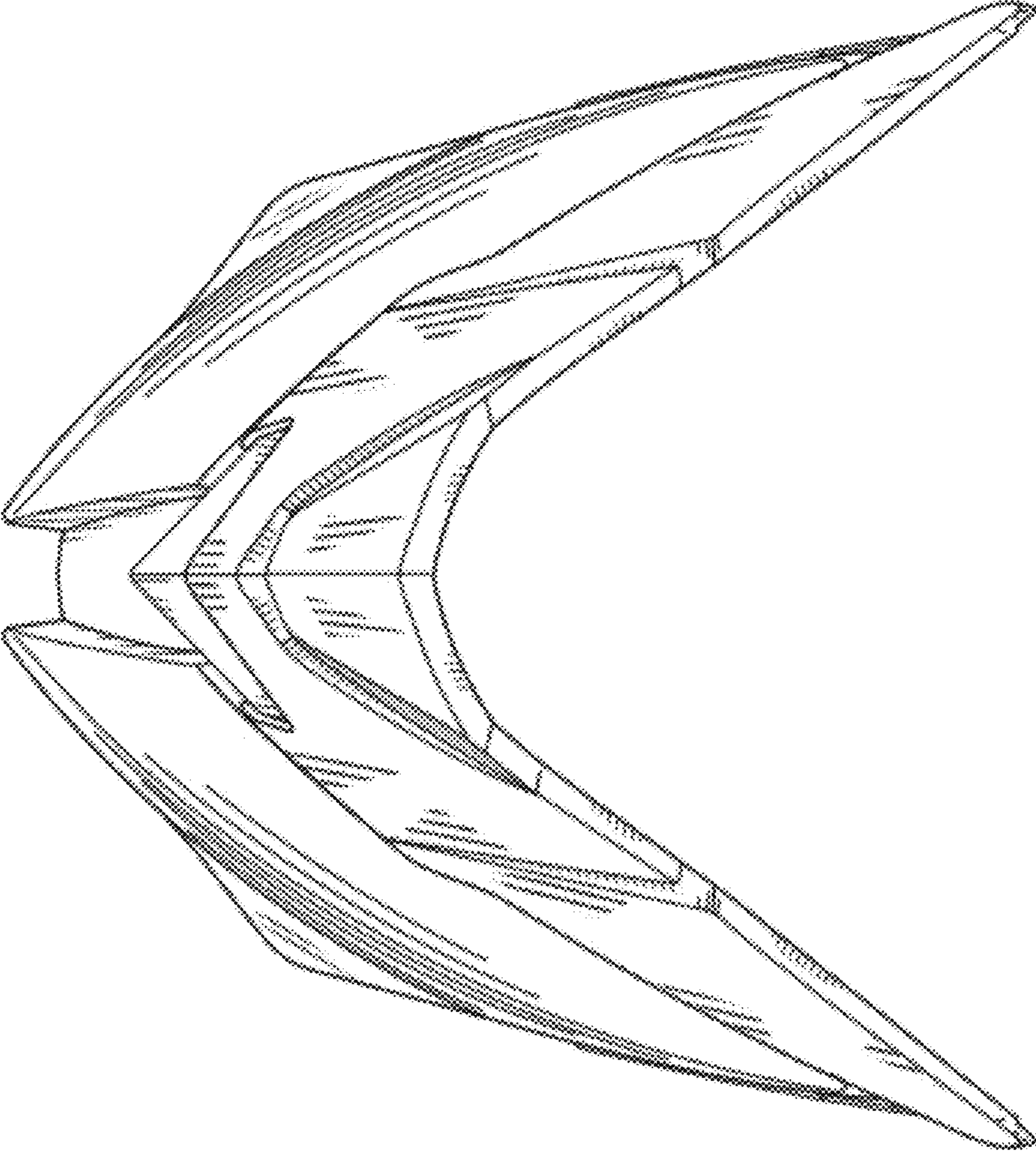


Fig.6

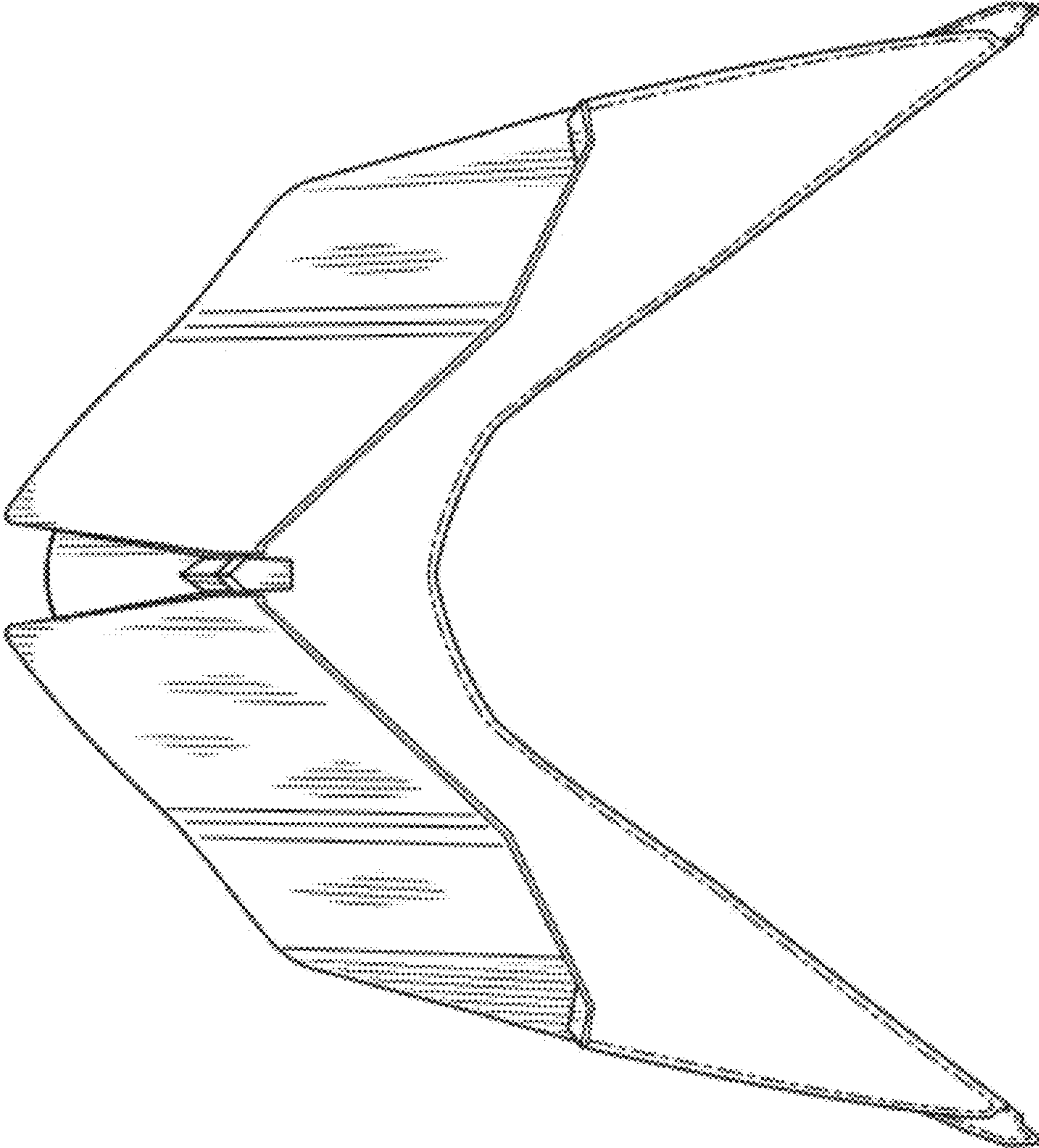


Fig.7

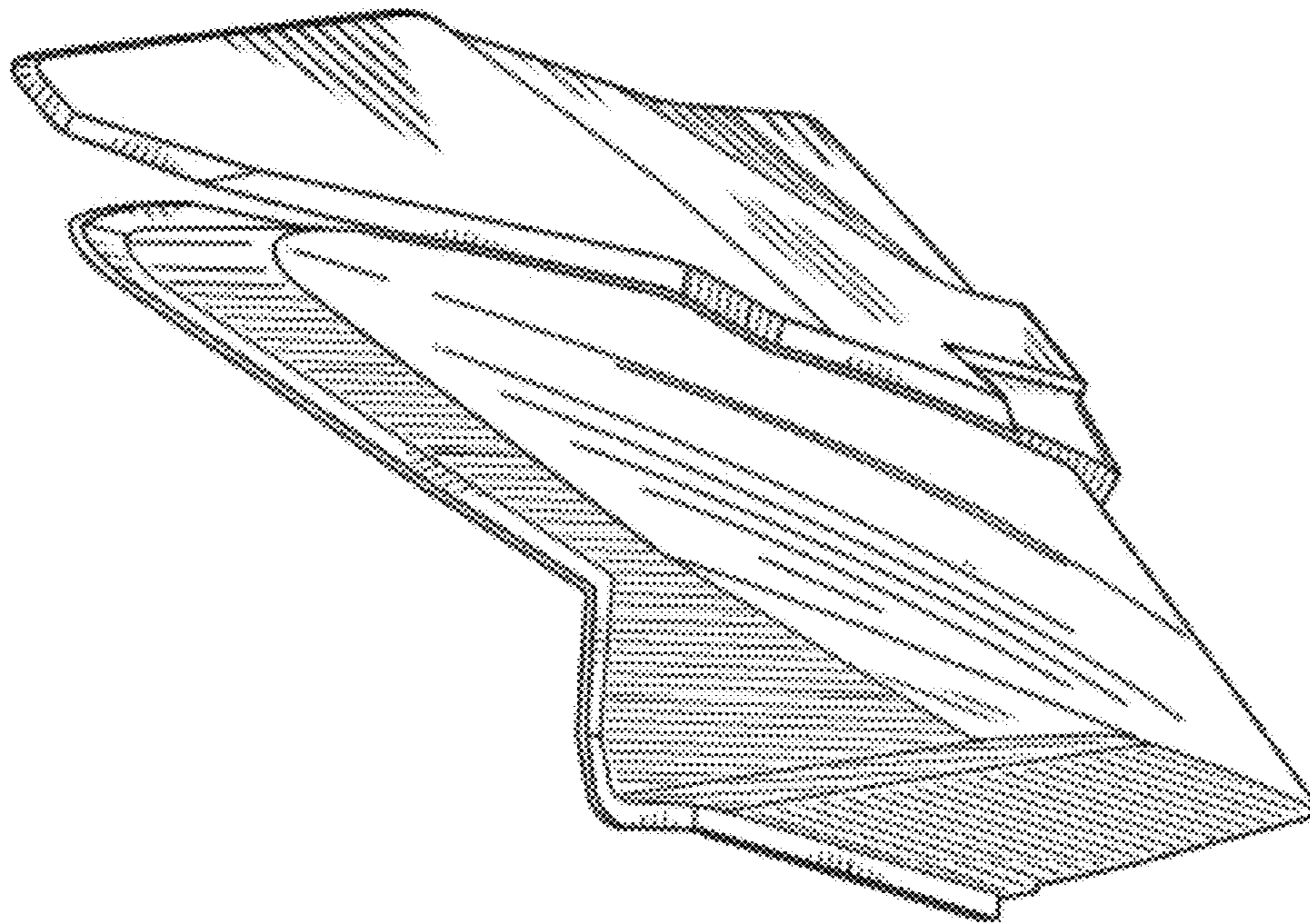


Fig.8

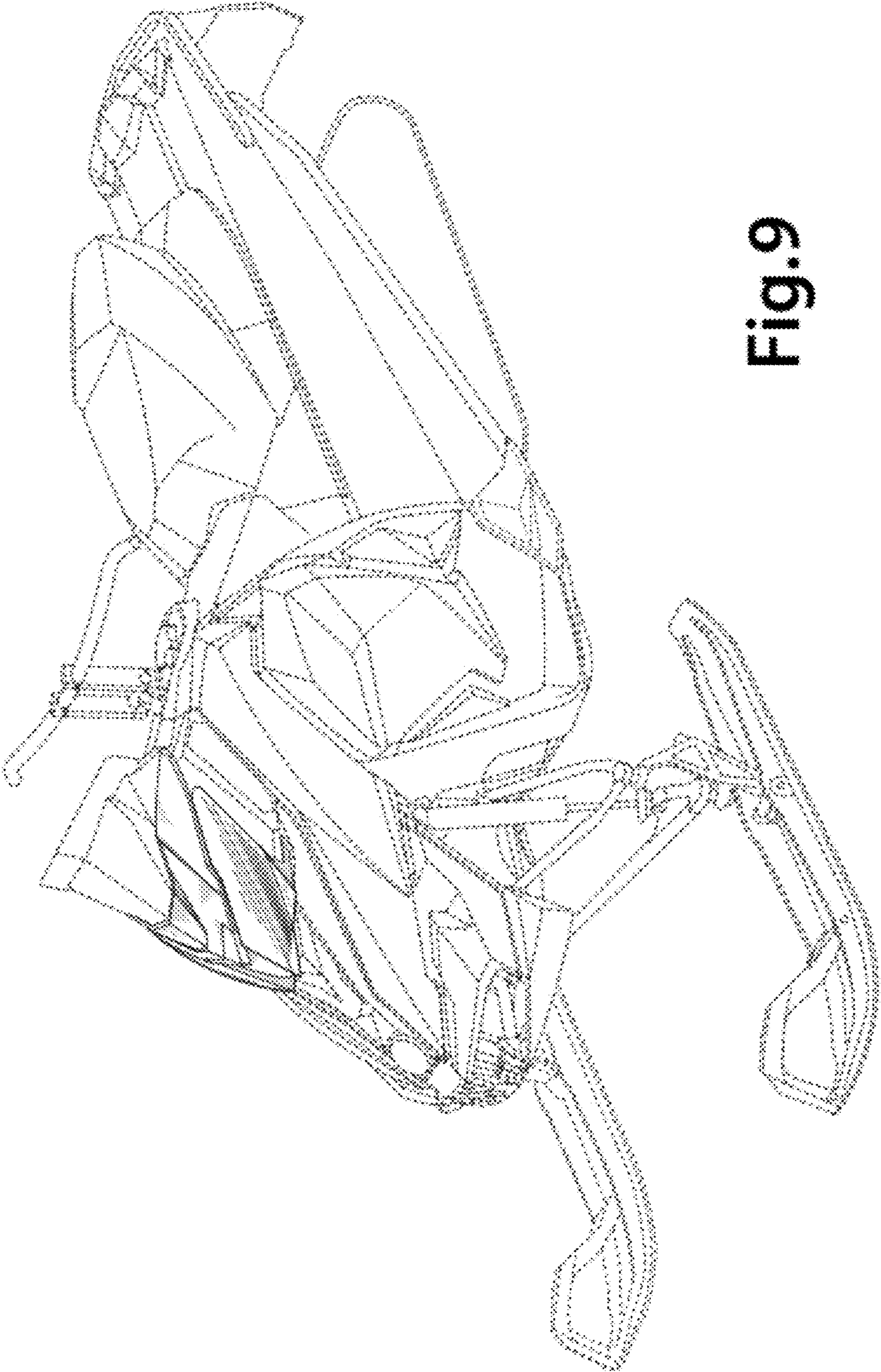


Fig. 9