



US00D670601S

(12) **United States Design Patent**
Paik et al.

(10) **Patent No.:** **US D670,601 S**

(45) **Date of Patent:** **** Nov. 13, 2012**

(54) **STRING ADJUSTER**

(76) Inventors: **Jisook Paik**, Seoul (KR); **Nan Hee Paik**,
Seoul (KR); **Ji Hye Paik**, Seoul (KR); **Ji**
Won Son, Seoul (KR)

(**) Term: **14 Years**

(21) Appl. No.: **29/409,985**

(22) Filed: **Dec. 31, 2011**

(30) **Foreign Application Priority Data**

Jul. 14, 2011 (KR) 30-2011-0029186

(51) **LOC (9) Cl.** **02-07**

(52) **U.S. Cl.** **D11/218**

(58) **Field of Classification Search** D11/1-2,
D11/200-201, 206-210, 214-218; 24/163 R,
24/169-171, 173, 177-179, 191, 194-195,
24/197, 200, 614-616, 625, 198; D8/367

See application file for complete search history.

(56) **References Cited**

U.S. PATENT DOCUMENTS

D33,157 S * 9/1900 Poalk D11/210
D44,288 S * 7/1913 Reynolds D8/382
D189,487 S * 12/1960 Gale D8/367
D234,946 S * 4/1975 Fredriksson et al. D8/367

D247,951 S * 5/1978 Anthony D8/382
D253,501 S * 11/1979 Hoch D11/210
D402,536 S * 12/1998 Cousins D8/354
D603,751 S * 11/2009 Murray et al. D11/200
D614,995 S * 5/2010 Pontaoe D11/212
D616,286 S * 5/2010 Foresman D8/354
D633,415 S * 3/2011 Grimm et al. D11/218
D646,557 S * 10/2011 Chan D8/367

* cited by examiner

Primary Examiner — Ralf Seifert

(74) *Attorney, Agent, or Firm* — Allen (Zhi Yang) Xue;
Anova Law Group, PLLC

(57) **CLAIM**

I claim, the ornamental design for a string adjuster, as shown
and described.

DESCRIPTION

FIG. 1 is a perspective view of a string adjuster, showing my
new design;

FIG. 2 is a front elevational view thereof;

FIG. 3 is a rear elevational view thereof;

FIG. 4 is a left side elevational view thereof;

FIG. 5 is a right side elevational view thereof;

FIG. 6 is a top plan view thereof;

FIG. 7 is a bottom plan view thereof; and,

FIG. 8 is a cross-sectional view of the reference perspective
view in FIG. 6.

1 Claim, 3 Drawing Sheets

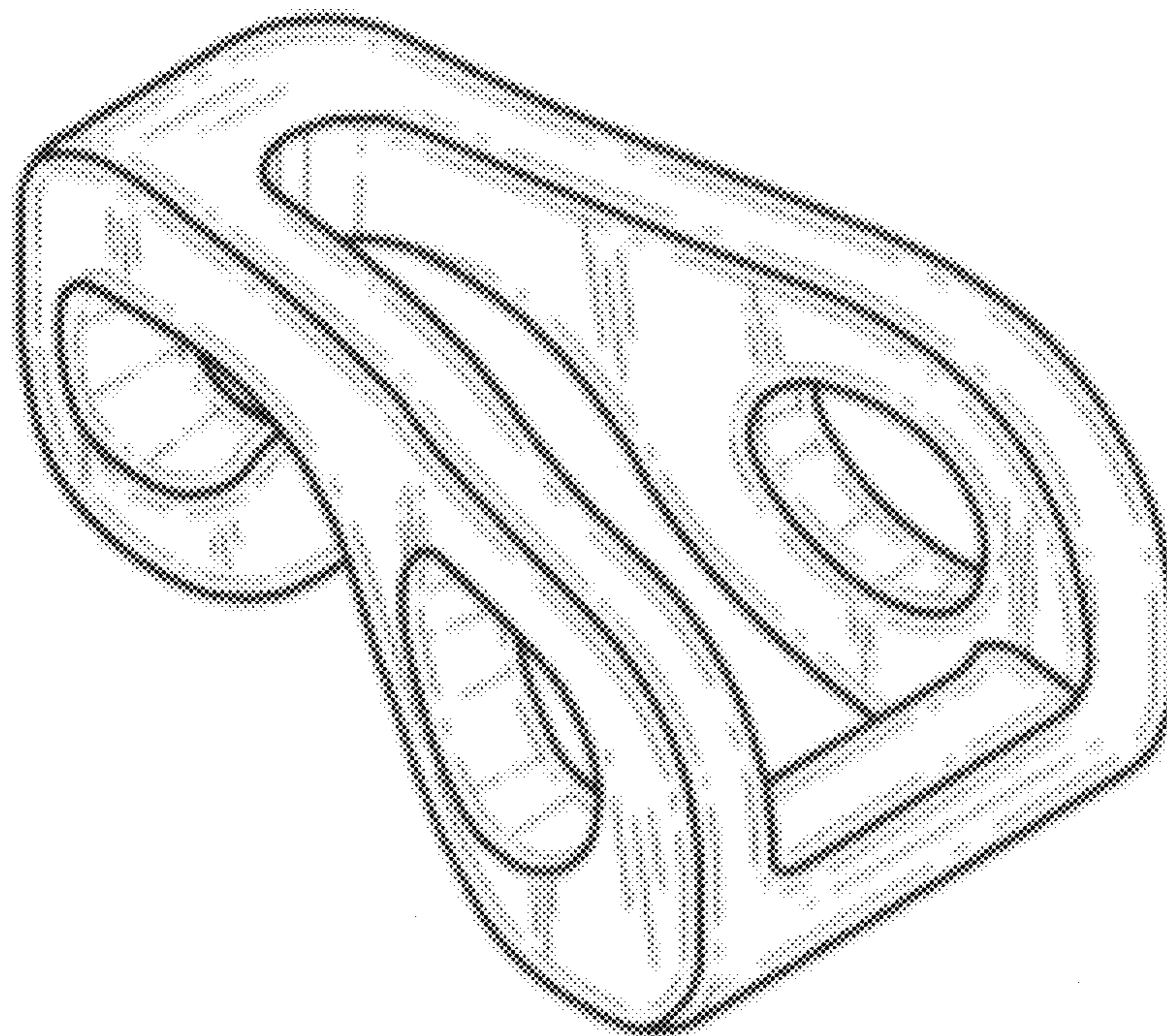


Fig. 1

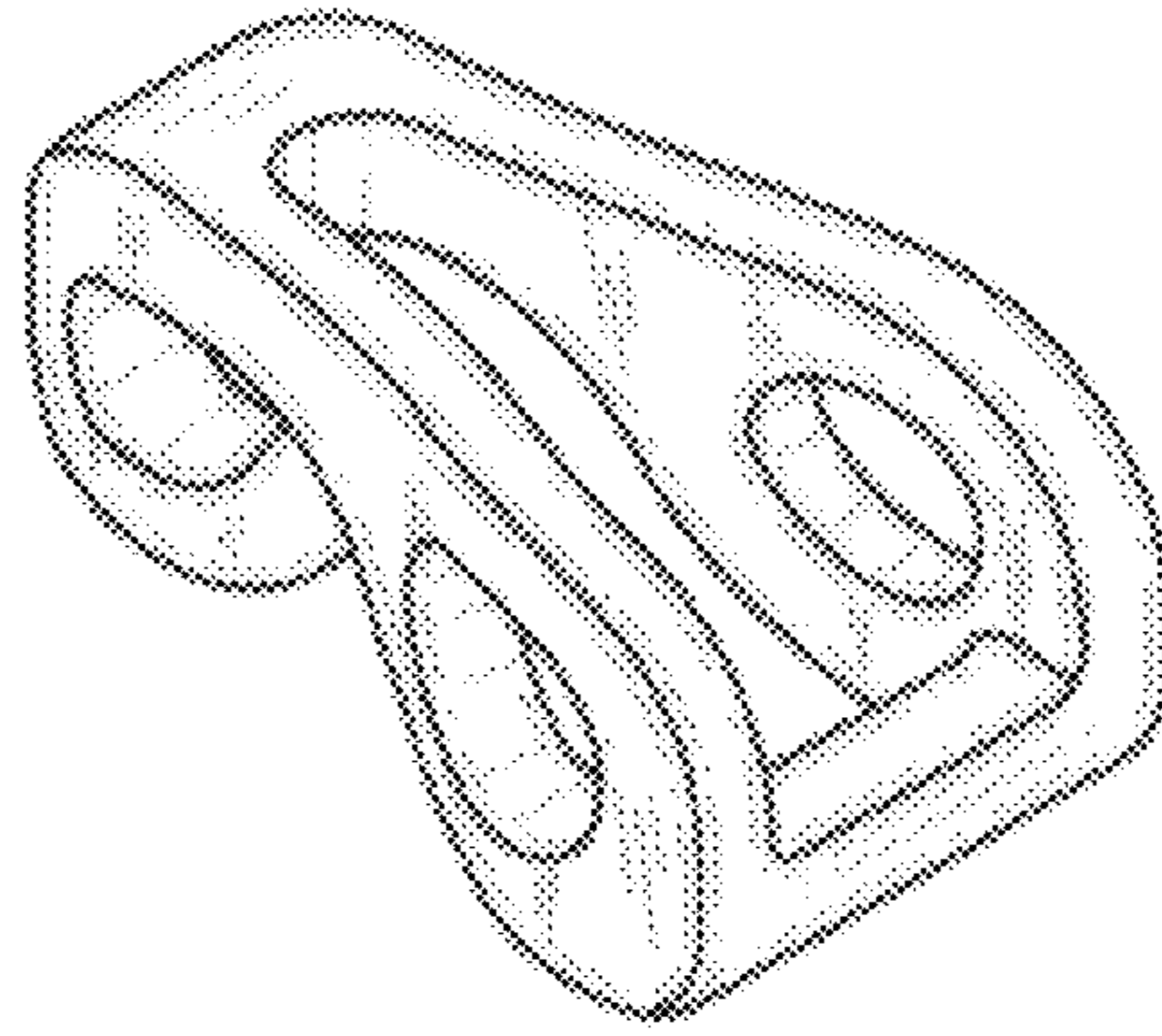


Fig. 2



Fig. 3



Fig. 4

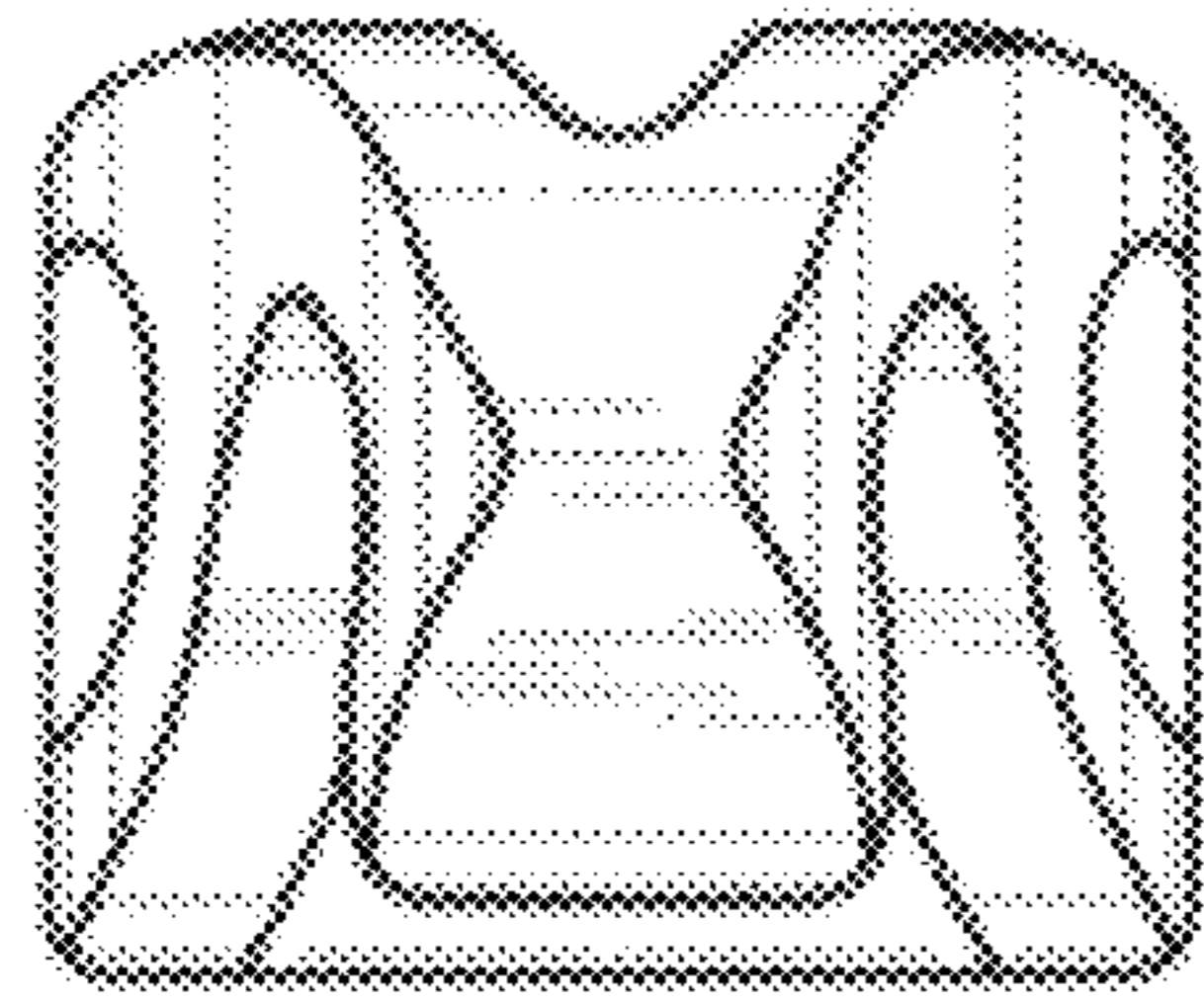


Fig. 5

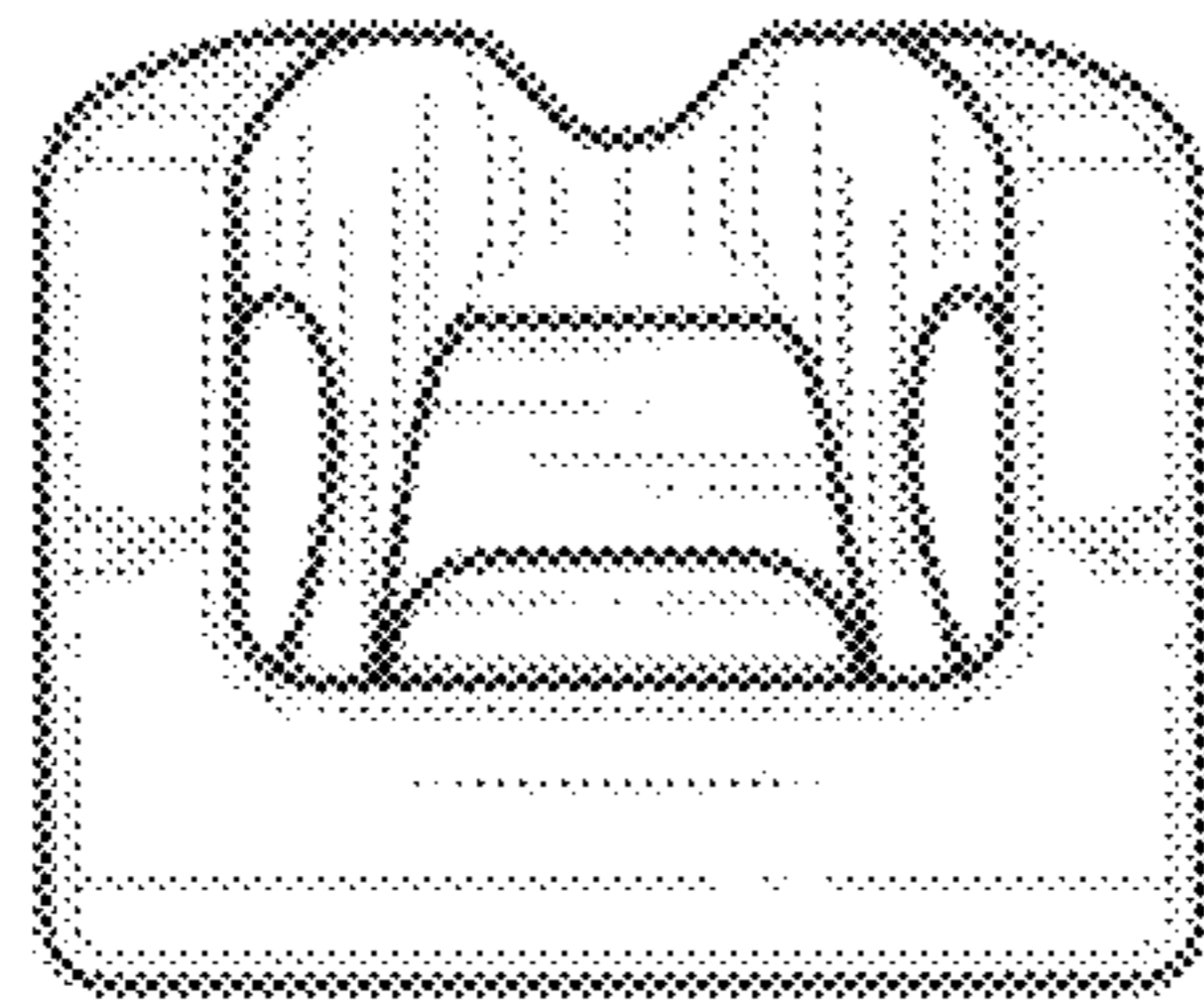


Fig. 6

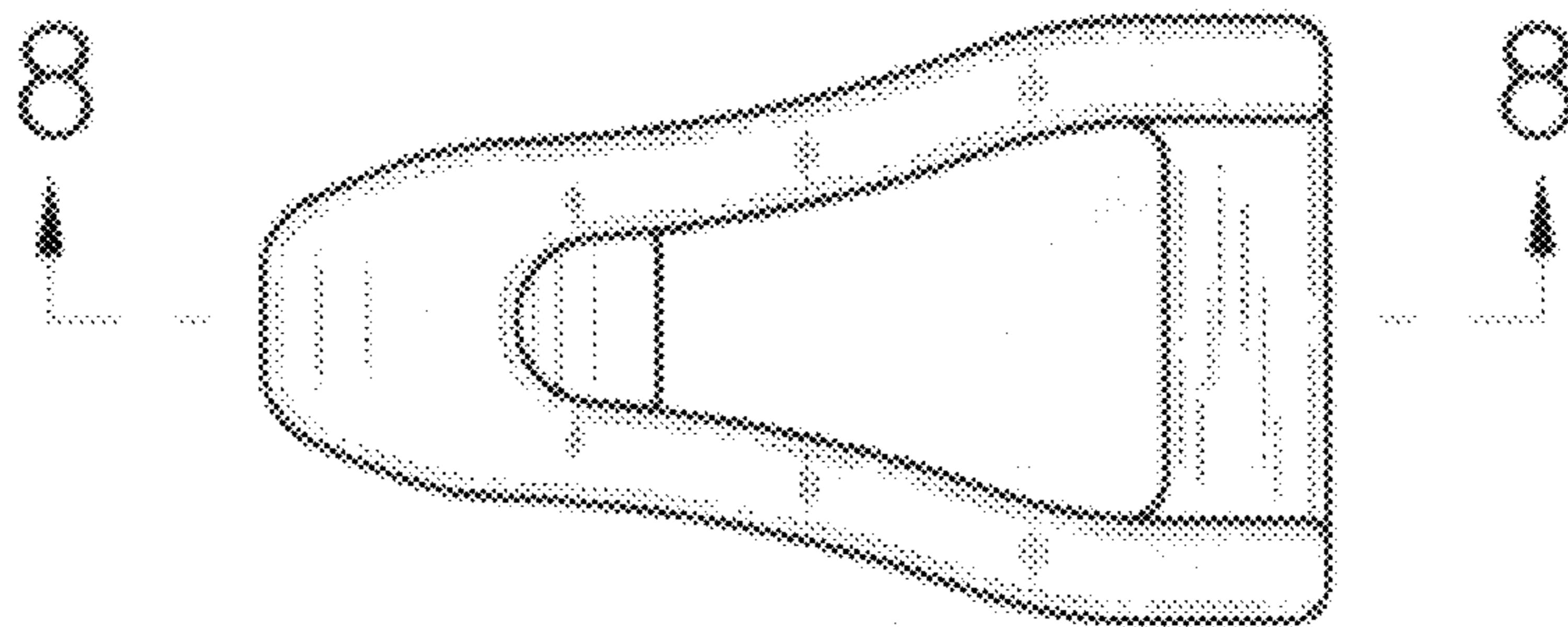


Fig. 7

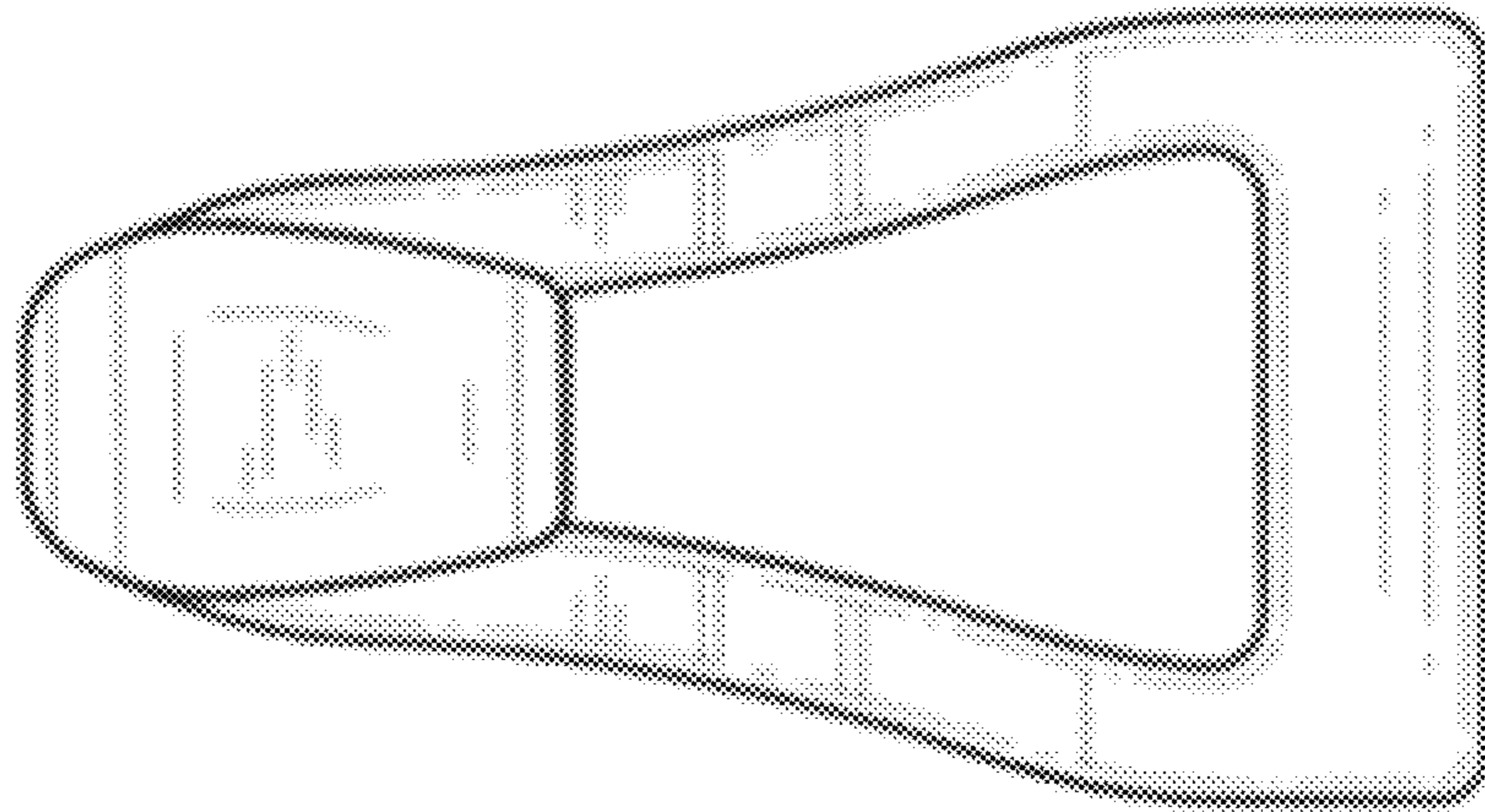


Fig. 8

