



US00D670600S

(12) **United States Design Patent**
Shaanan

(10) **Patent No.:** **US D670,600 S**

(45) **Date of Patent:** **** Nov. 13, 2012**

(54) **STRAP ATTACHMENT DEVICE**

(75) Inventor: **Gad Shaanan**, La Jolla, CA (US)

(73) Assignee: **QUALCOMM Incorporated**, San Diego, CA (US)

(**) Term: **14 Years**

(21) Appl. No.: **29/409,300**

(22) Filed: **Dec. 21, 2011**

(51) **LOC (9) Cl.** **02-07**

(52) **U.S. Cl.** **D11/218**

(58) **Field of Classification Search** D11/1-2,
D11/200-201, 206-210, 214-218; 24/163 R,
24/169-171, 173, 177-179, 191, 194-195,
24/197, 200, 614-616, 625, 198
See application file for complete search history.

(56) **References Cited**

U.S. PATENT DOCUMENTS

77,918 A * 5/1868 Roland 54/54
3,197,834 A * 8/1965 Sussman 24/194

4,473,926 A * 10/1984 Ono 24/196
D363,257 S * 10/1995 Anscher D11/218
D486,093 S * 2/2004 Tobergte D11/218
D519,411 S * 4/2006 Yoshiguchi D11/218
D542,710 S * 5/2007 Yoshiguchi D11/218

* cited by examiner

Primary Examiner — Ralf Seifert

(74) *Attorney, Agent, or Firm* — James T. Hagler

(57) **CLAIM**

The ornamental design for a strap attachment device, as shown and described.

DESCRIPTION

FIG. 1 is a right/top side perspective view of the strap attachment device.

FIG. 2 is a top view of the strap attachment device.

FIG. 3 is a bottom view of the strap attachment device.

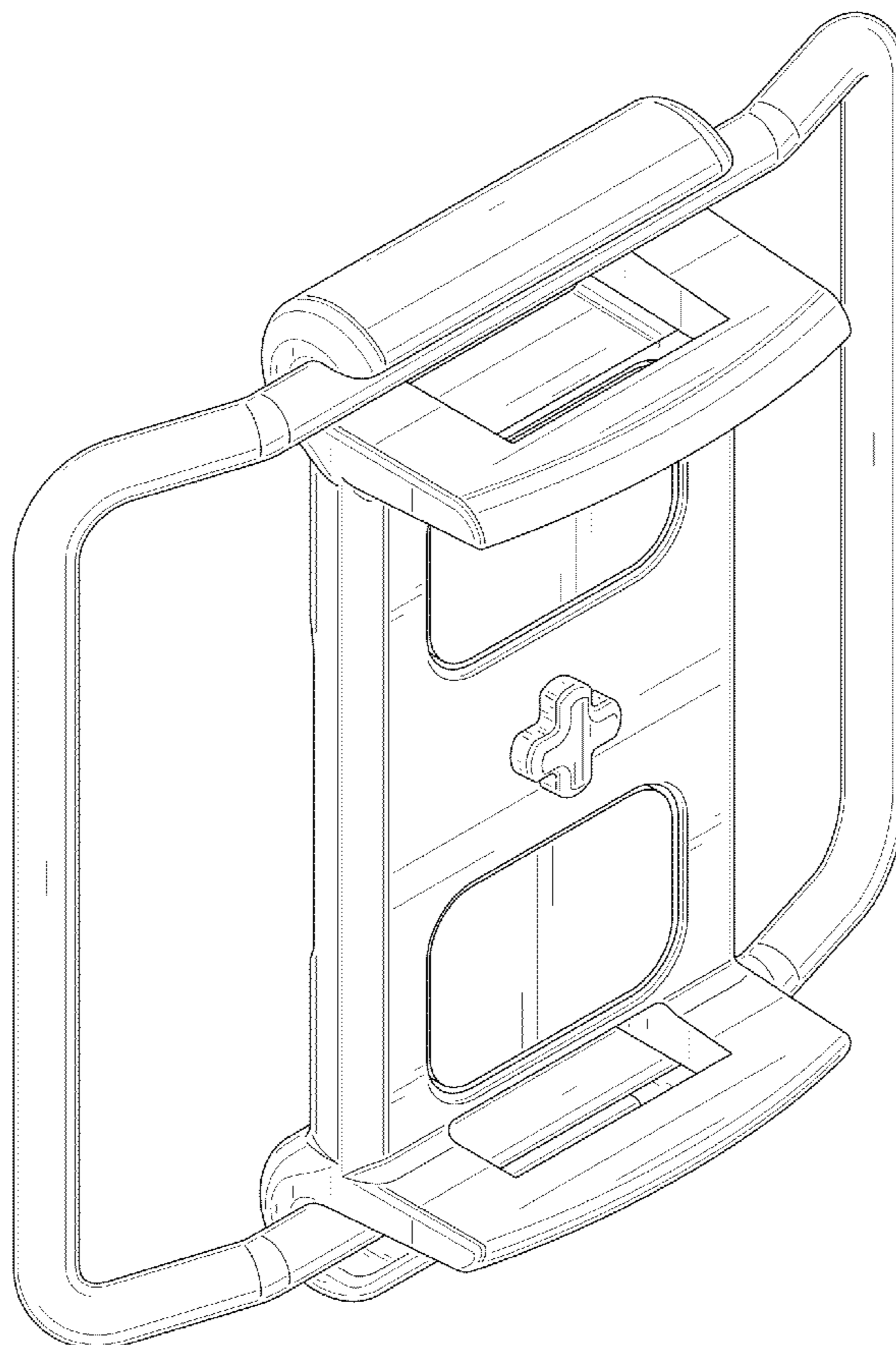
FIG. 4 is a right side view of the strap attachment device.

FIG. 5 is a left side view of the strap attachment device.

FIG. 6 is a front view of the strap attachment device; and,

FIG. 7 is a back view of the strap attachment device.

1 Claim, 5 Drawing Sheets



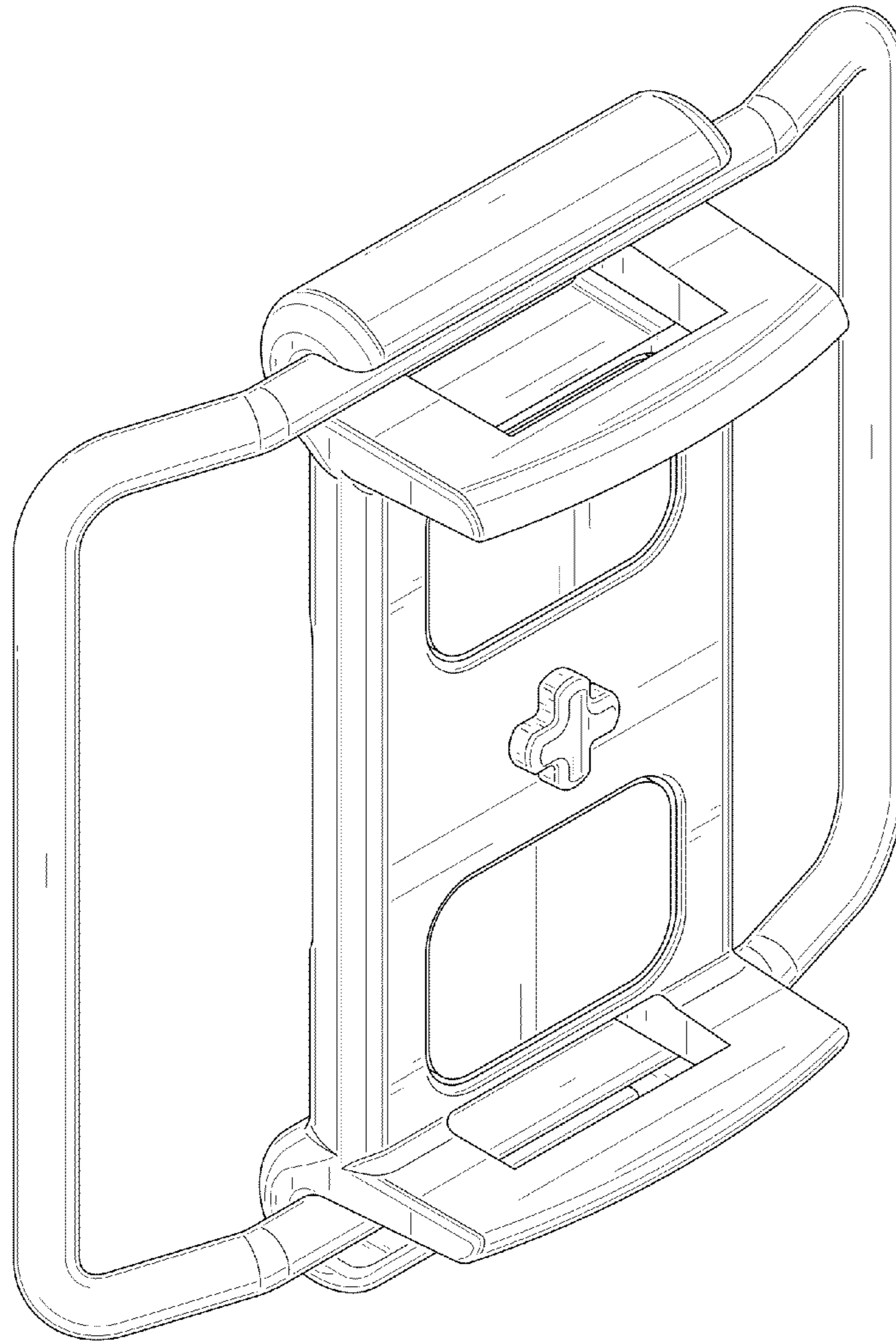


FIG. 1

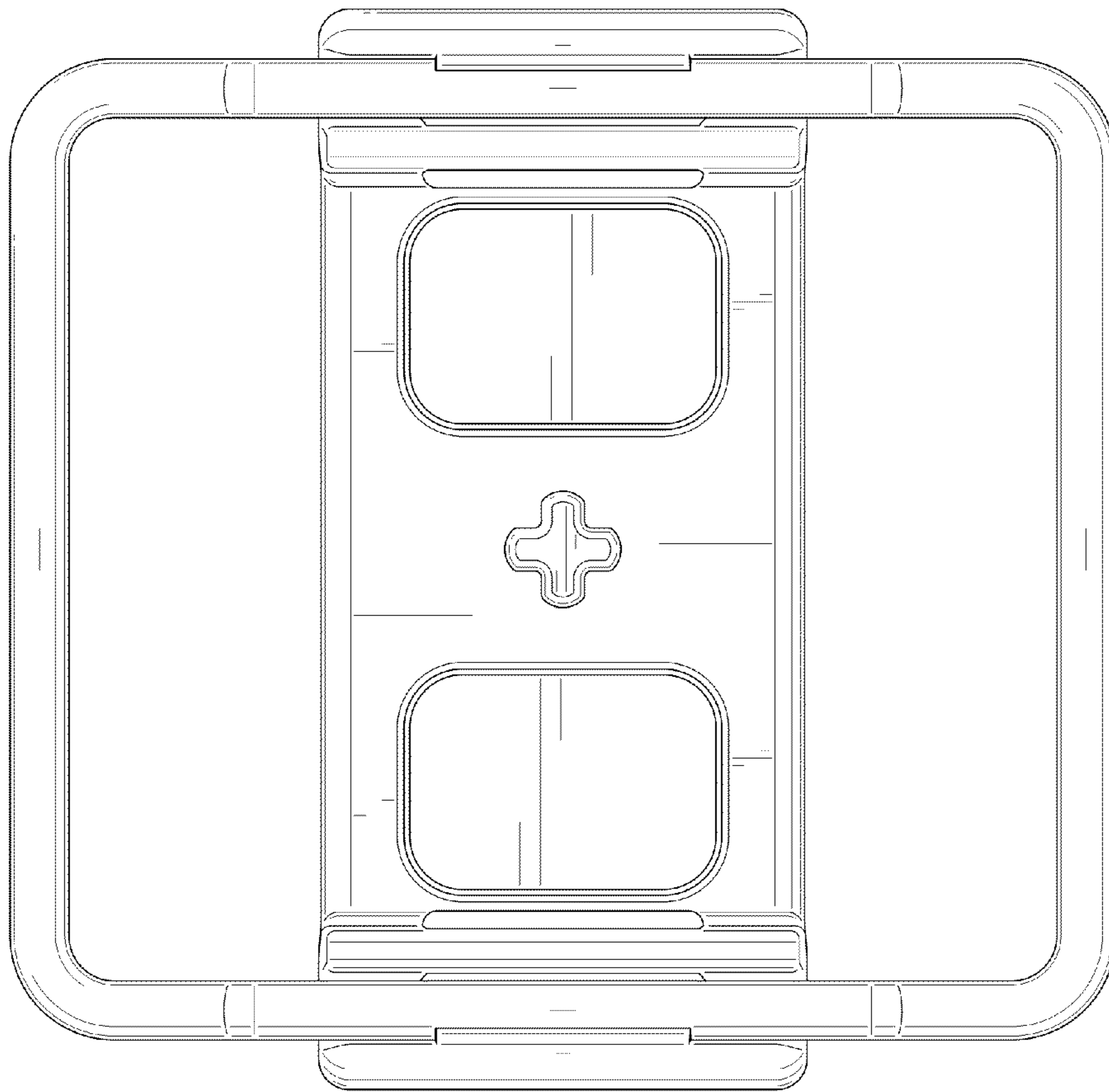


FIG. 2

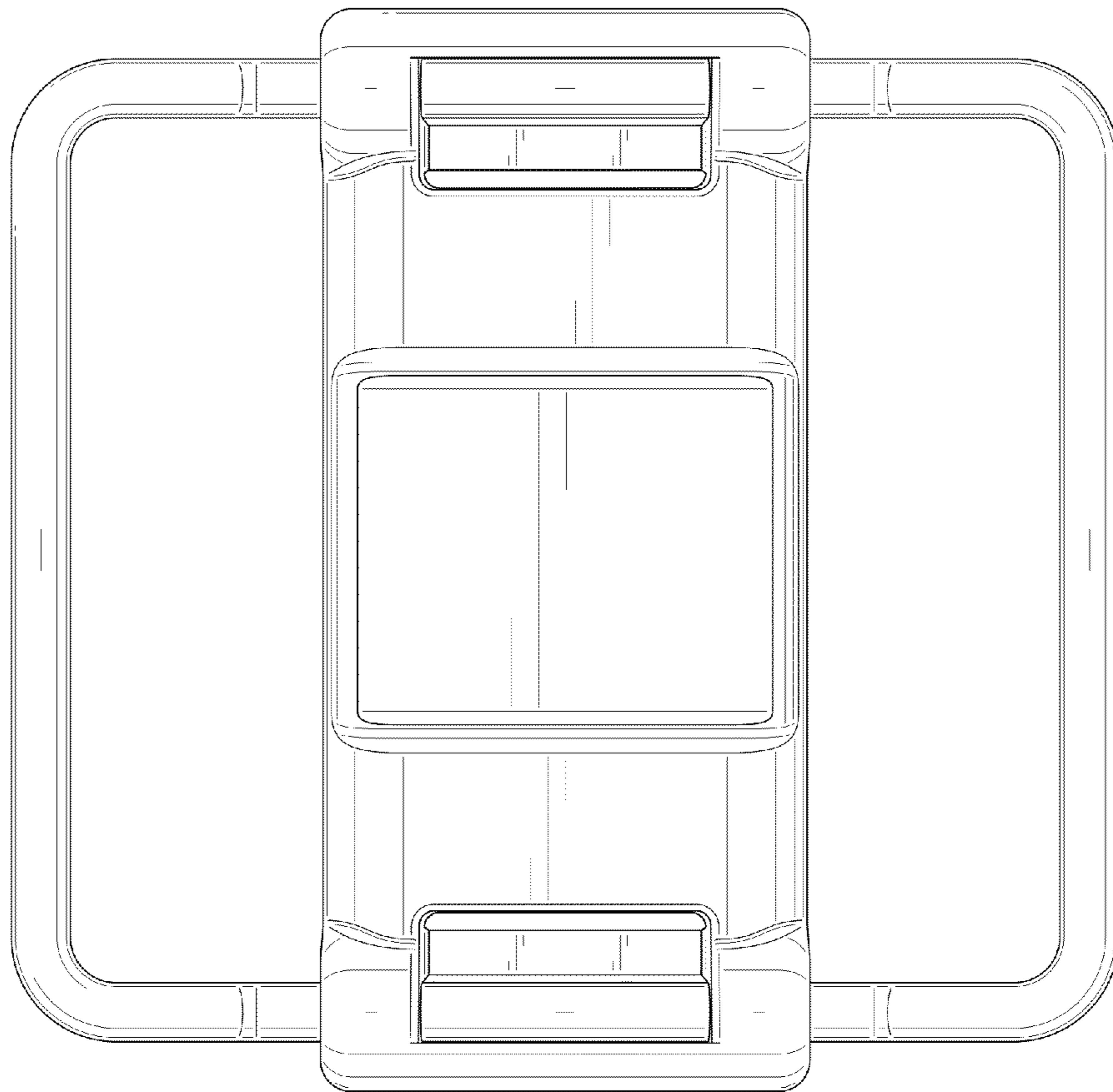


FIG. 3

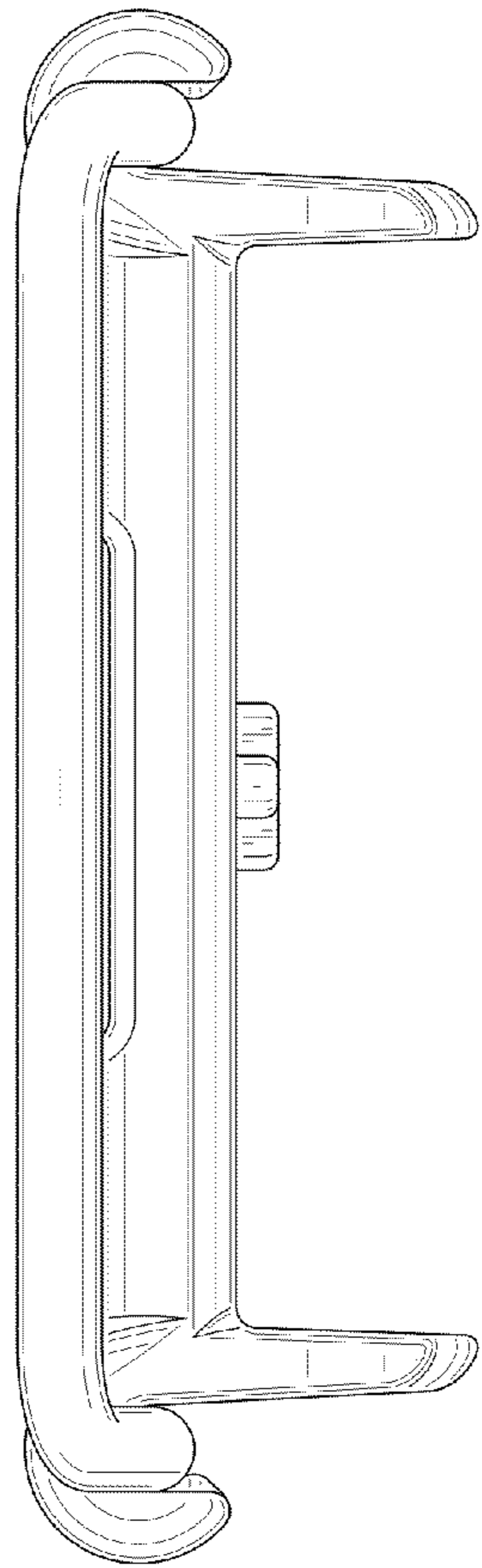


FIG. 4

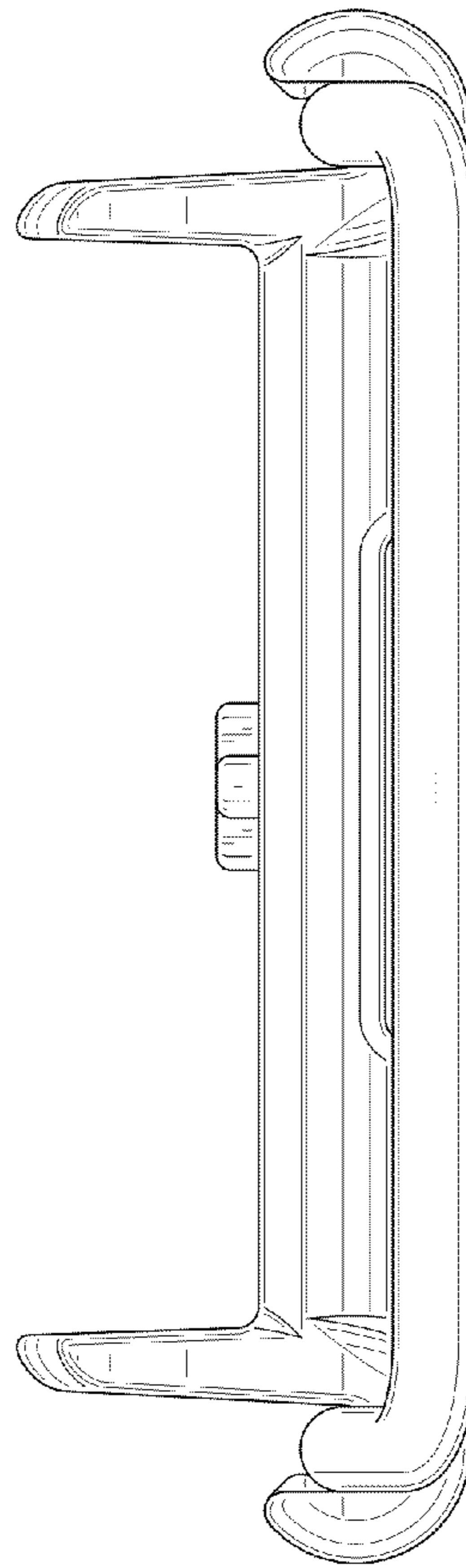


FIG. 5

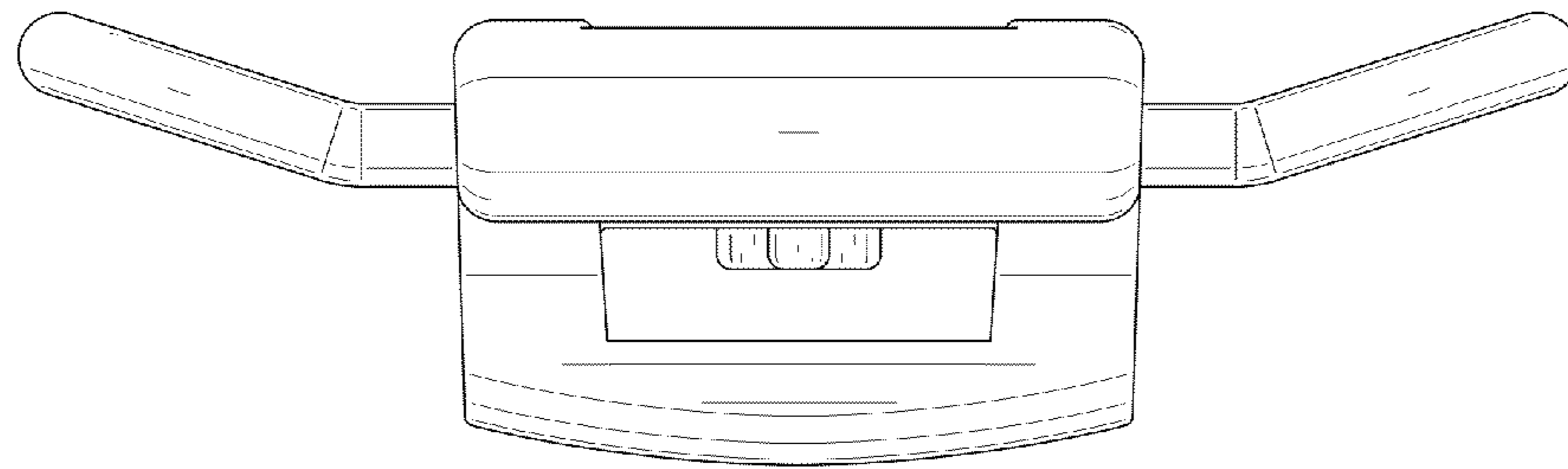


FIG. 6

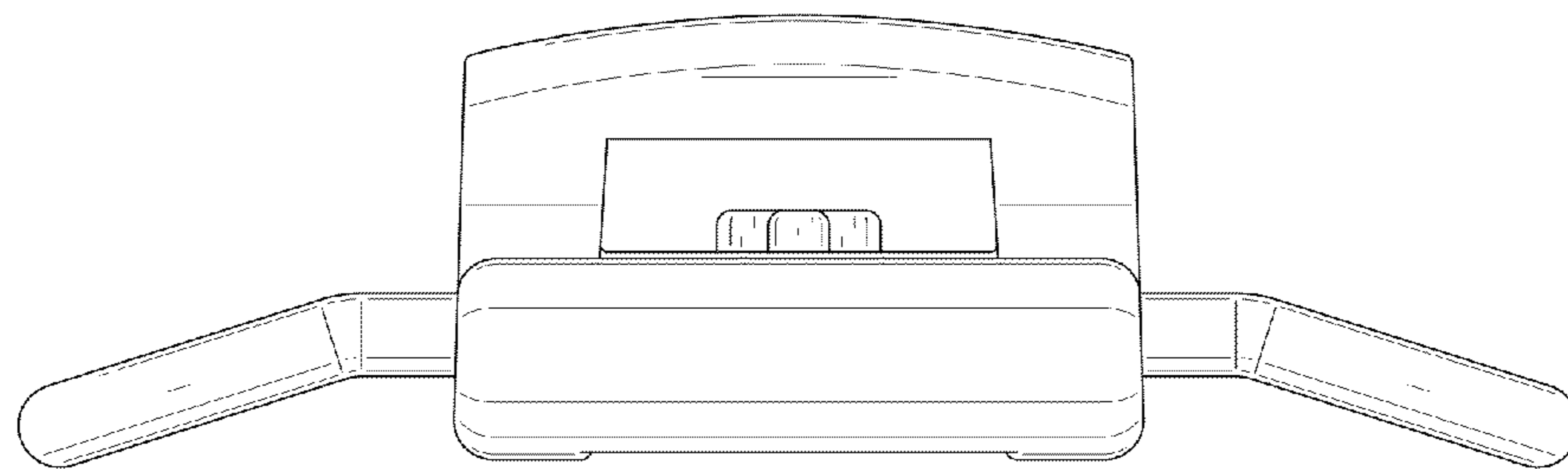


FIG. 7