



US00D670599S

(12) **United States Design Patent**
Shaanan et al.

(10) **Patent No.:** **US D670,599 S**
(45) **Date of Patent:** **** Nov. 13, 2012**

(54) **STRAP ATTACHMENT DEVICE**

(56) **References Cited**

(75) Inventors: **Gad Shaanan**, La Jolla, CA (US);
Dudley K. Fetzer, Rancho Santa Fe, CA
(US); **Kenneth W. Baar**, Escondido, CA
(US)

U.S. PATENT DOCUMENTS

77,918	A	*	5/1868	Roland	54/54
3,197,834	A	*	8/1965	Sussman	24/194
4,473,926	A	*	10/1984	Ono	24/196
D363,257	S	*	10/1995	Anscher	D11/218
D486,093	S	*	2/2004	Tobergte	D11/218
D519,411	S	*	4/2006	Yoshiguchi	D11/218
D542,710	S	*	5/2007	Yoshiguchi	D11/218

(73) Assignee: **QUALCOMM Incorporated**, San
Diego, CA (US)

* cited by examiner

(**) Term: **14 Years**

Primary Examiner — Ralf Seifert

(74) *Attorney, Agent, or Firm* — James T. Hagler

(21) Appl. No.: **29/409,289**

(57) **CLAIM**

The ornamental design for a strap attachment device, as shown and described.

(22) Filed: **Dec. 21, 2011**

DESCRIPTION

(51) **LOC (9) Cl.** **02-07**

FIG. 1 is a right/top side perspective view of a strap attachment device.

(52) **U.S. Cl.** **D11/218**

FIG. 2 is a top view of a strap attachment device.

(58) **Field of Classification Search** D11/1-2,

FIG. 3 is a bottom view of a strap attachment device.

D11/200-201, 206-210, 214-218; 24/163 R,

FIG. 4 is a right side view of a strap attachment device.

24/169-171, 173, 177-179, 191, 194-195,

FIG. 5 is a left side view of a strap attachment device.

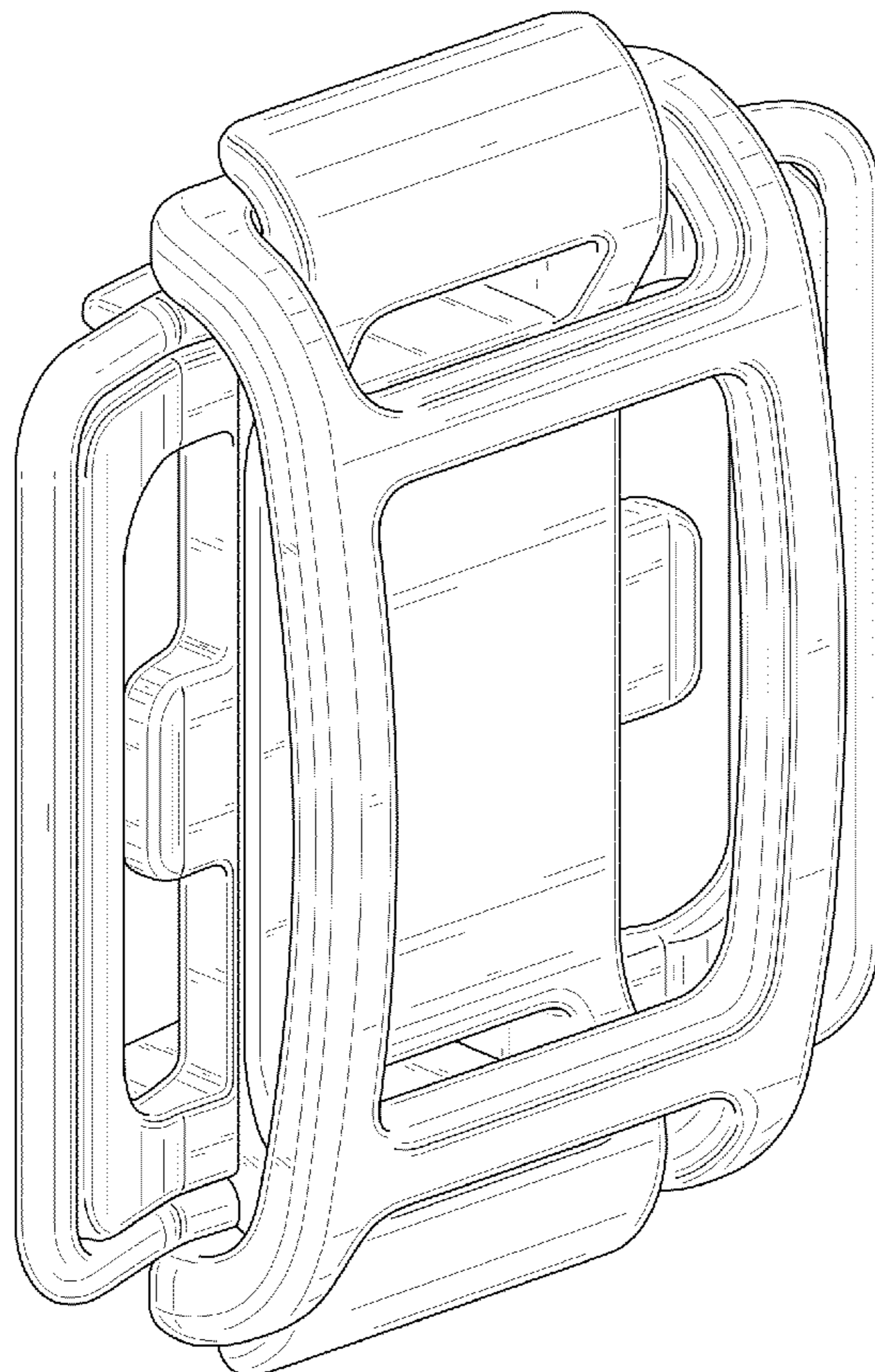
24/197, 200, 614-616, 625, 198

FIG. 6 is a front view of a strap attachment device; and,

FIG. 7 is a back view of a strap attachment device.

See application file for complete search history.

1 Claim, 5 Drawing Sheets



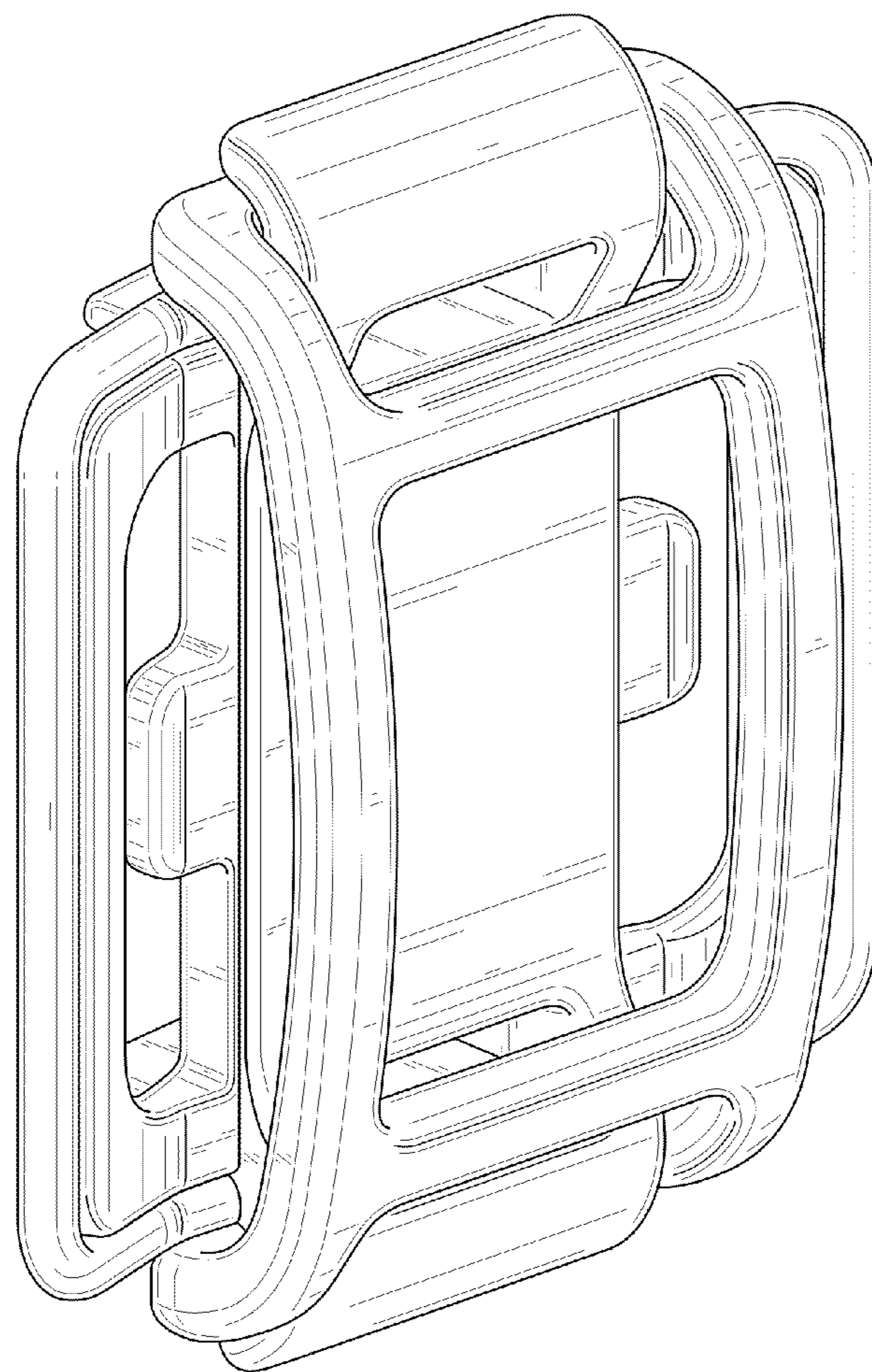


FIG. 1

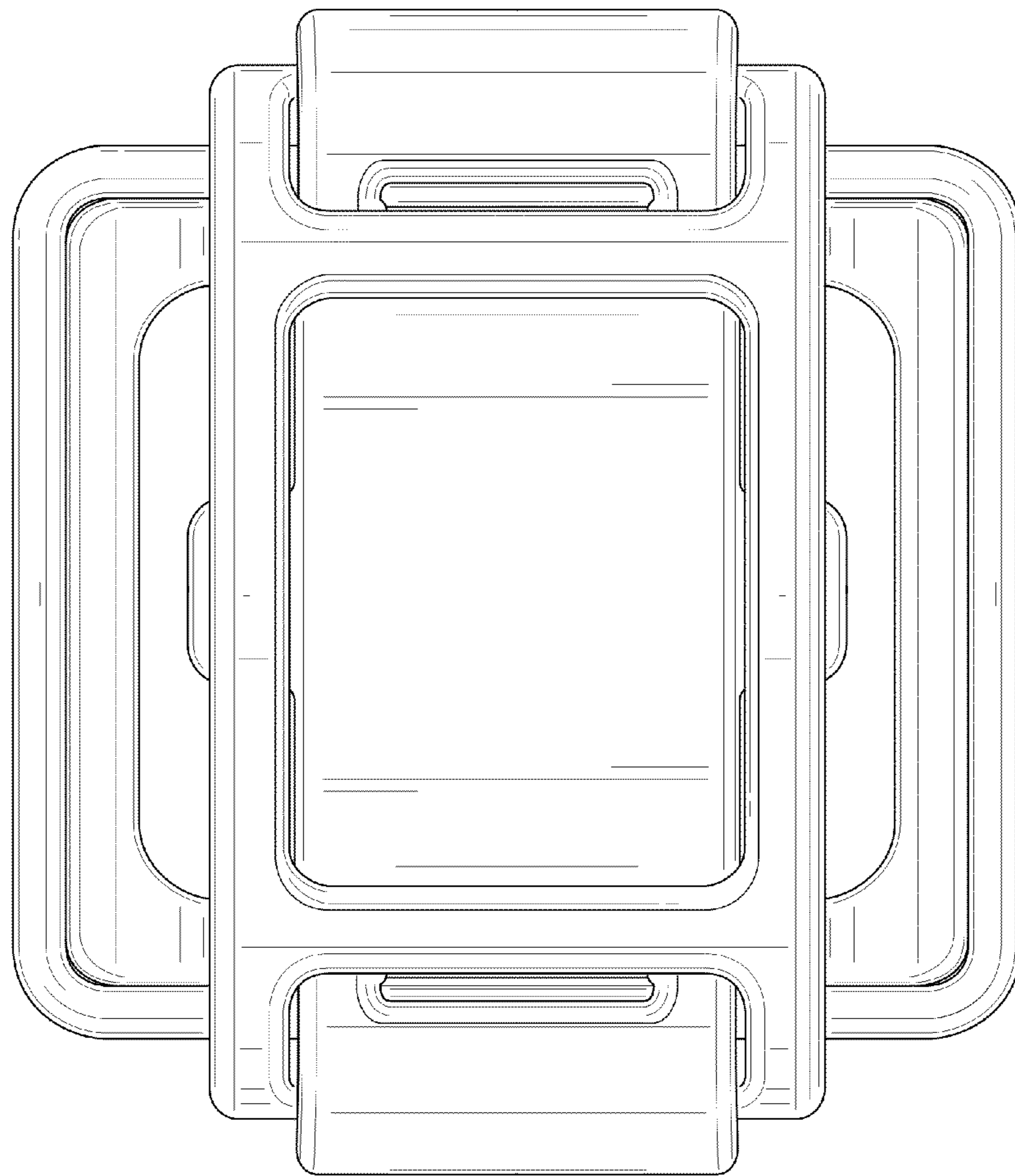


FIG. 2

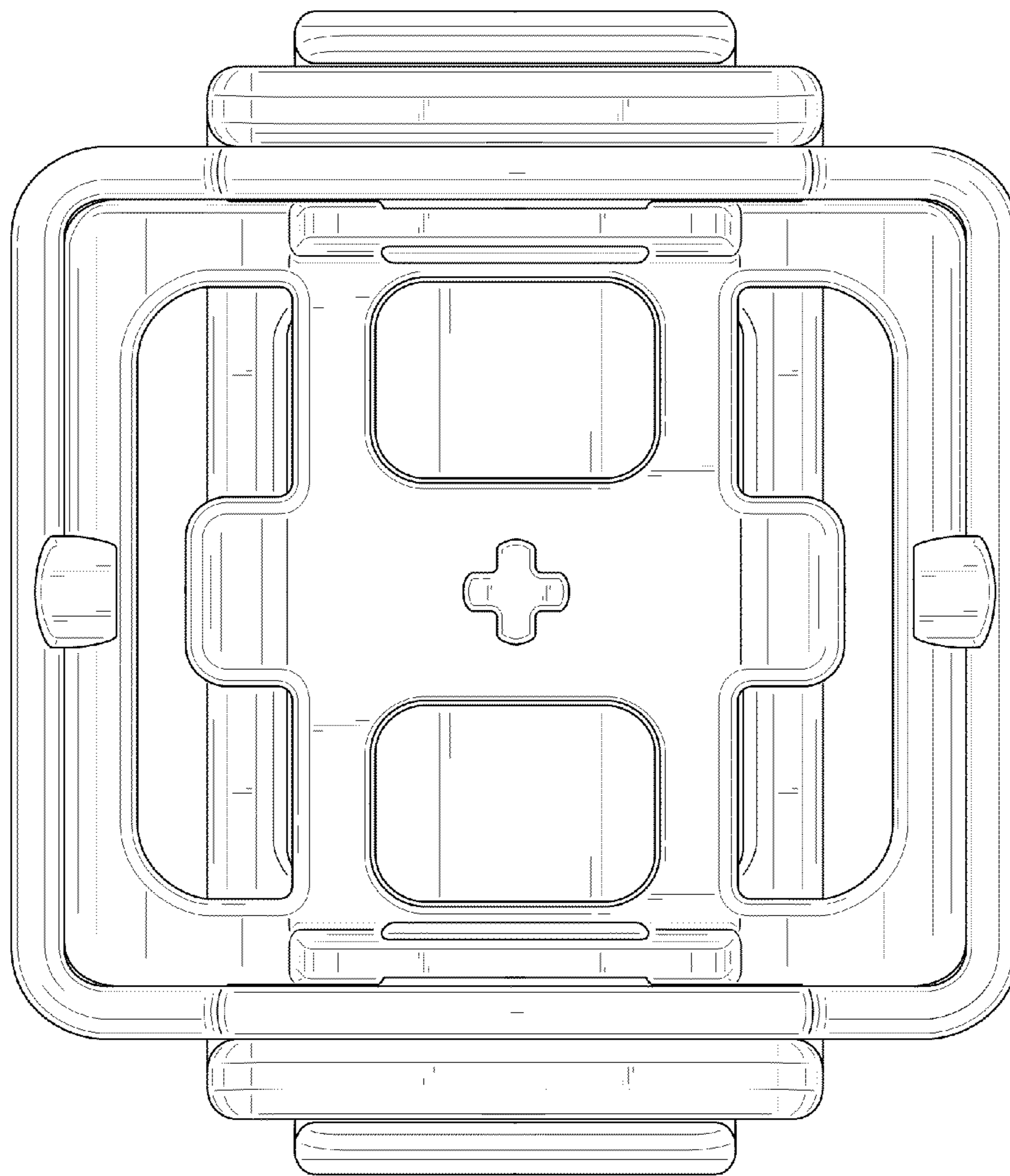


FIG. 3

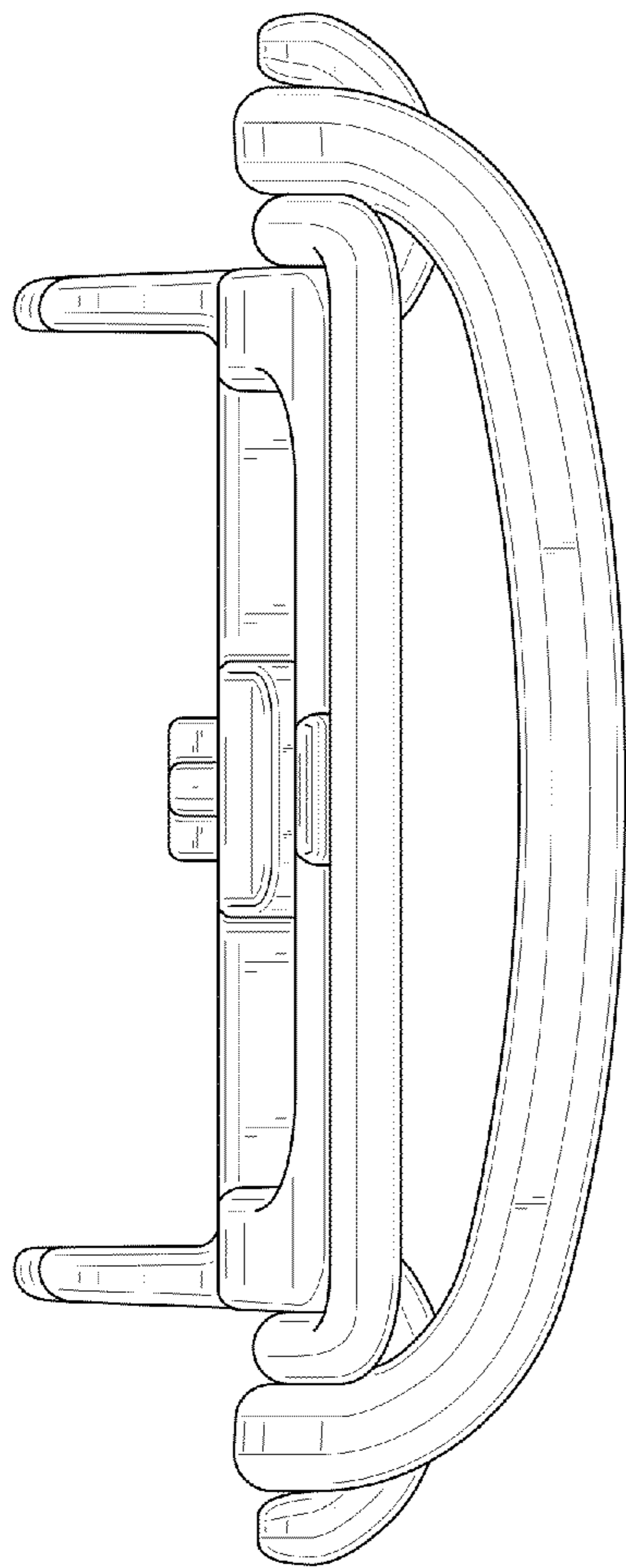


FIG. 4

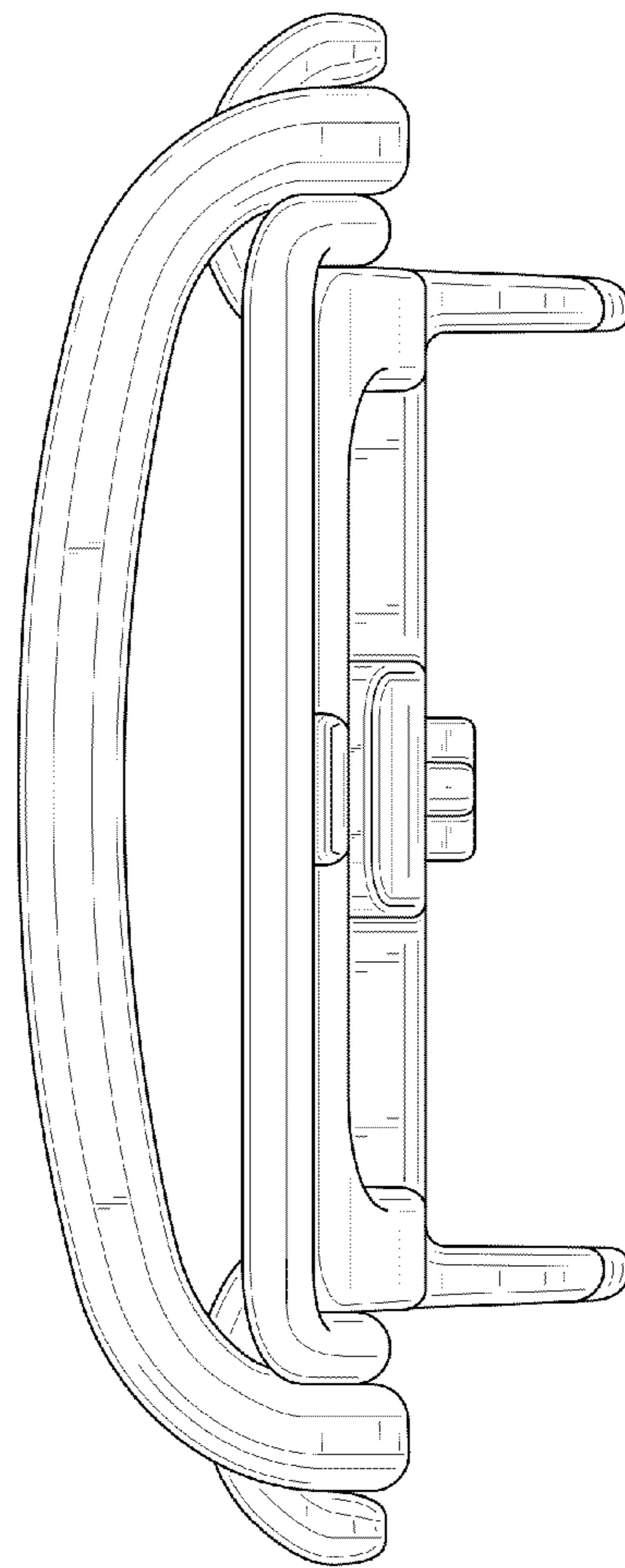


FIG. 5

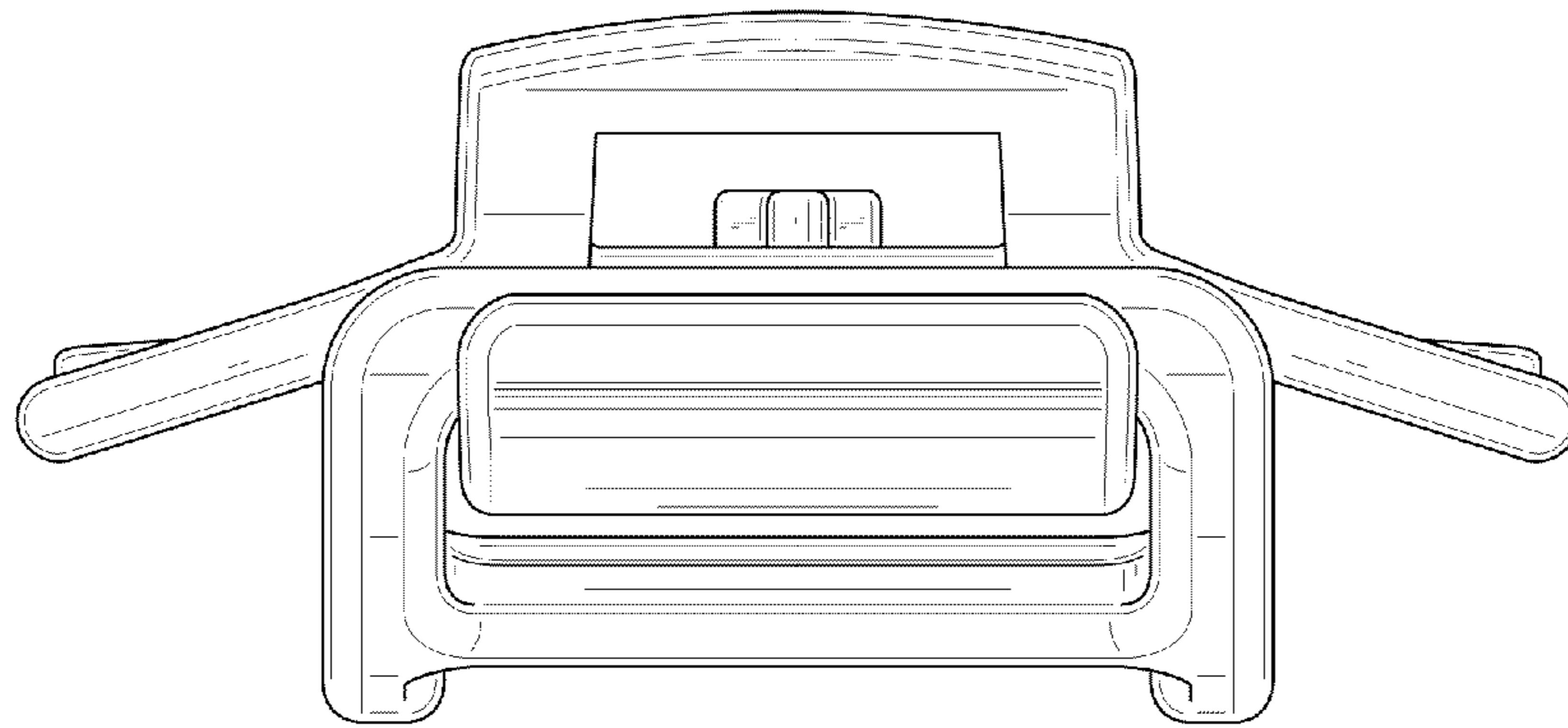


FIG. 6

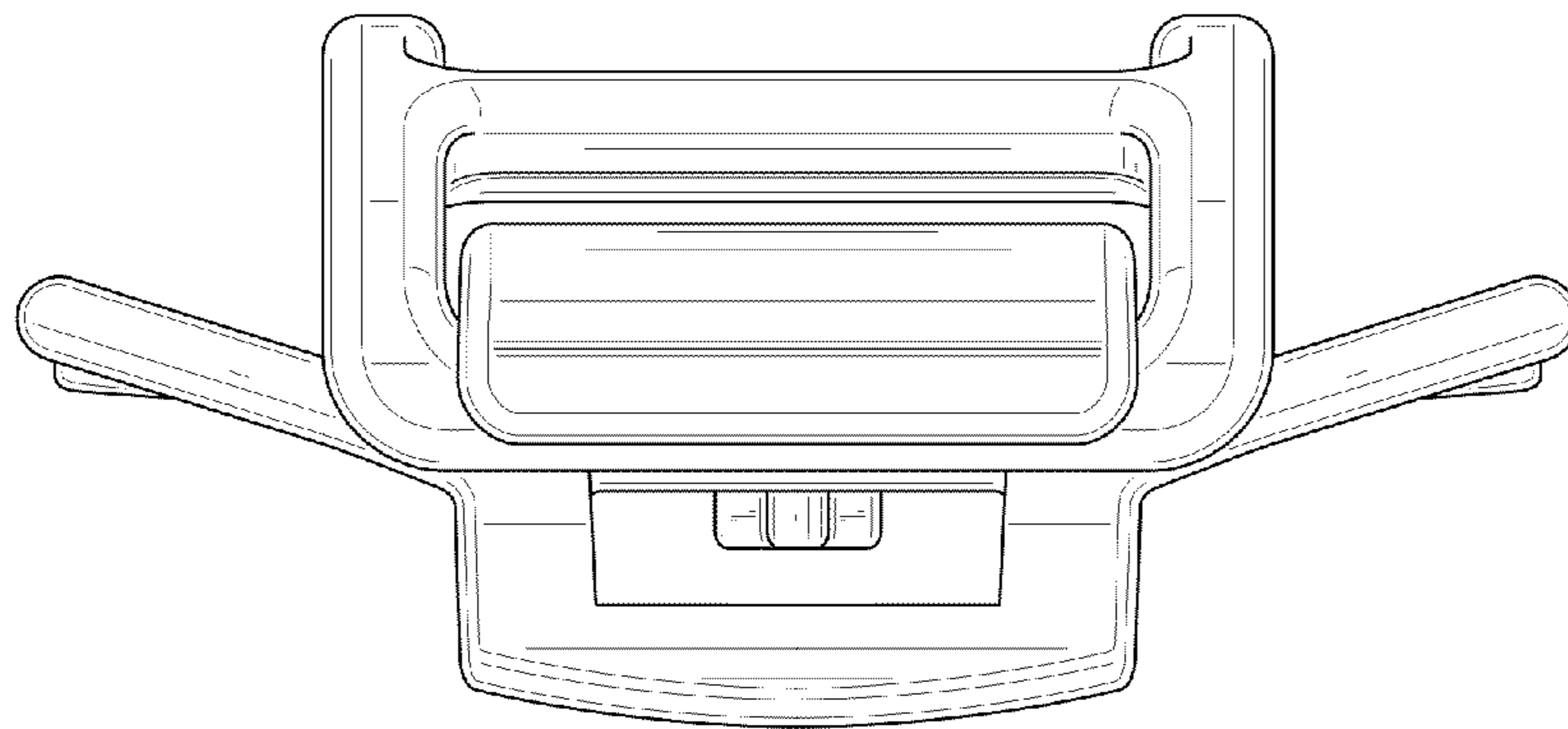


FIG. 7