

US00D670596S

(12) **United States Design Patent**
Ishtewi

(10) **Patent No.:** **US D670,596 S**

(45) **Date of Patent:** **** Nov. 13, 2012**

(54) **CHRISTMAS DECORATION**

(75) Inventor: **Ihab G. Ishtewi**, Lidingö (SE)

(73) Assignee: **Santa's North Pole Light Factory AB**,
Arsta (SE)

(**) Term: **14 Years**

(21) Appl. No.: **29/387,466**

(22) Filed: **Mar. 14, 2011**

(30) **Foreign Application Priority Data**

Sep. 15, 2010 (EM) 001755356

(51) **LOC (9) Cl.** **11-05**

(52) **U.S. Cl.** **D11/121; D26/103**

(58) **Field of Classification Search** D11/117,
D11/121, 125, 130, 131, 132, 133, 157, 164;
D26/1-8, 24, 28, 93, 94, 102, 103, 113; 362/565,
362/569, 644, 249.16, 311.13, 806, 809,
362/810, 811; 428/7, 8, 9, 11, 12

See application file for complete search history.

(56) **References Cited**

U.S. PATENT DOCUMENTS

3,253,137	A *	5/1966	Richter, III	362/293
3,694,648	A *	9/1972	Yates	362/311.03
D230,304	S *	2/1974	Sara	D26/103
3,829,348	A *	8/1974	Spiegel et al.	428/11
4,196,238	A *	4/1980	Wiggins	428/11
D270,039	S *	8/1983	Lipscombe	D9/519
4,452,836	A *	6/1984	Daniel, Jr.	428/11
4,833,580	A *	5/1989	Allen	362/451
D360,704	S *	7/1995	Huang	D26/103
5,599,092	A *	2/1997	Yen	362/294
5,772,312	A *	6/1998	Pihl-Niederman	362/249.08
			et al.	
D416,826	S *	11/1999	Newsome	D11/121
D417,164	S *	11/1999	Sandoval et al.	D10/106.4
D425,442	S *	5/2000	Sims	D11/121

D427,936	S *	7/2000	Reif	D11/121
D435,803	S *	1/2001	Viele et al.	D11/125
D437,967	S *	2/2001	Galtt et al.	D26/114
6,217,956	B1 *	4/2001	Heidkamp	428/11
6,224,230	B1 *	5/2001	Roegiers	362/123
D462,032	S *	8/2002	Schmauz-Grimsel	D11/121
D471,839	S *	3/2003	Kitras	D11/131
D517,236	S *	3/2006	Lee	D26/103
D520,624	S *	5/2006	Blymyer	D23/368
7,083,314	B2 *	8/2006	Chen	362/555
7,118,249	B2 *	10/2006	Hsu et al.	362/249.06
D543,482	S *	5/2007	Sexton et al.	D11/121
D545,974	S *	7/2007	Nan	D24/211
D577,629	S *	9/2008	Chen	D11/130
D595,182	S *	6/2009	Ramjohn	D11/121
D595,610	S *	7/2009	Chang	D11/121

(Continued)

Primary Examiner — Elizabeth J Oswecki

(74) *Attorney, Agent, or Firm* — Dickstein Shapiro LLP

(57) **CLAIM**

The ornamental design for a Christmas decoration, as shown and described.

DESCRIPTION

FIG. 1 is a side perspective view of a Christmas decoration showing my new design;

FIG. 2 is a front view thereof;

FIG. 3 is a side view thereof, the opposite side view being the same;

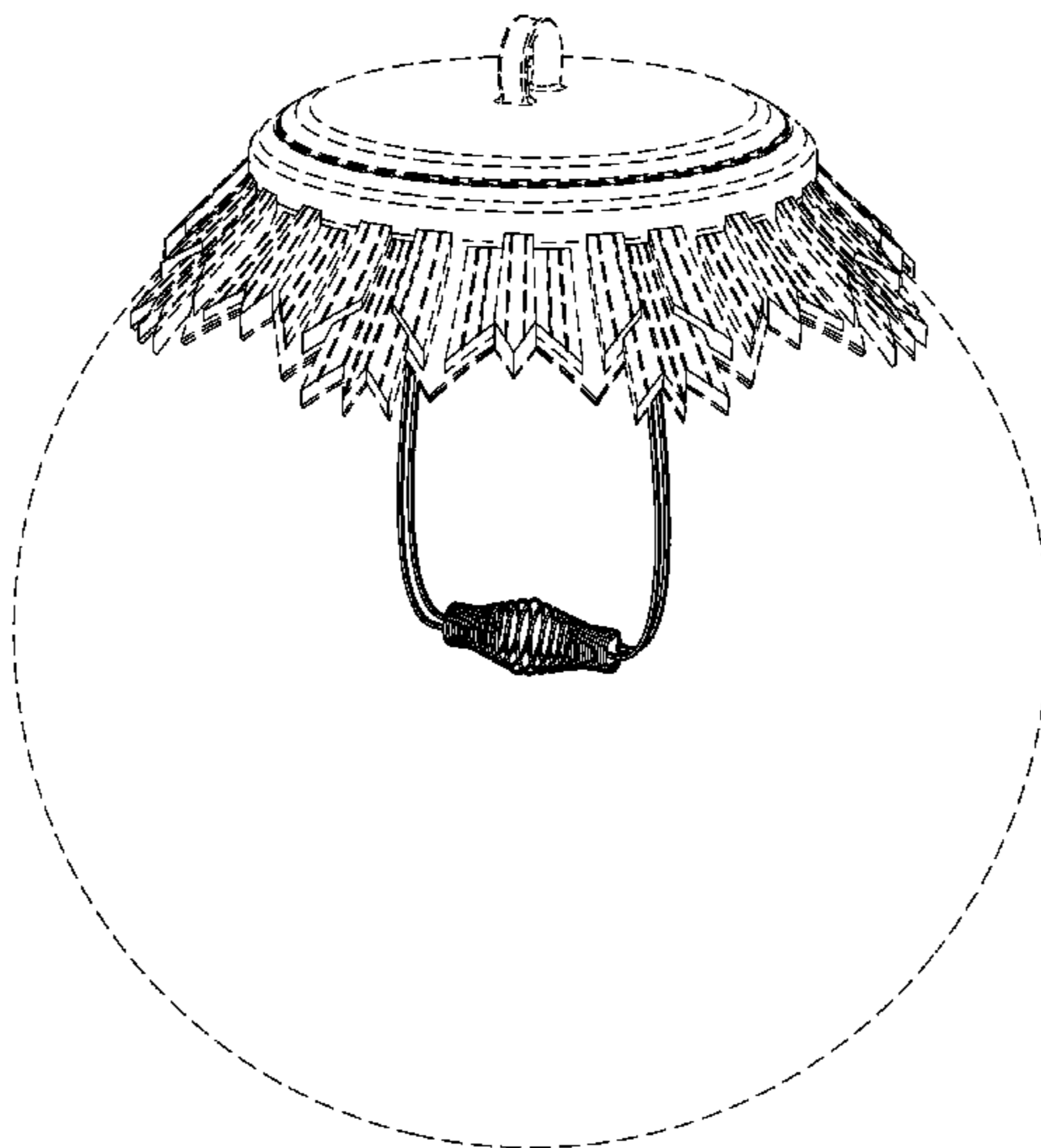
FIG. 4 is a bottom view thereof;

FIG. 5 is an enlarged side perspective view of a light source portion of the Christmas decoration shown detached from the side brackets; and,

FIG. 6 is an enlarged side view of a light source portion of the Christmas decoration shown detached from the side brackets. The broken lines illustrate environmental structure and form no part of the claimed design.

All surfaces not shown form no part of the claimed design.

1 Claim, 6 Drawing Sheets



US D670,596 S

Page 2

U.S. PATENT DOCUMENTS

D598,806 S *	8/2009	Rosenkotter	D11/117	D619,493 S *	7/2010	Chen	D11/121
D603,291 S *	11/2009	Wessling	D11/121	D640,161 S *	6/2011	Chen	D11/121
D604,664 S *	11/2009	Mollaert et al.	D11/121	2003/0223238 A1 *	12/2003	Hsu et al.	362/255
D610,483 S *	2/2010	Chen	D11/121	2008/0160224 A1 *	7/2008	Nakamura	428/7
D610,484 S *	2/2010	Chen	D11/121				

* cited by examiner

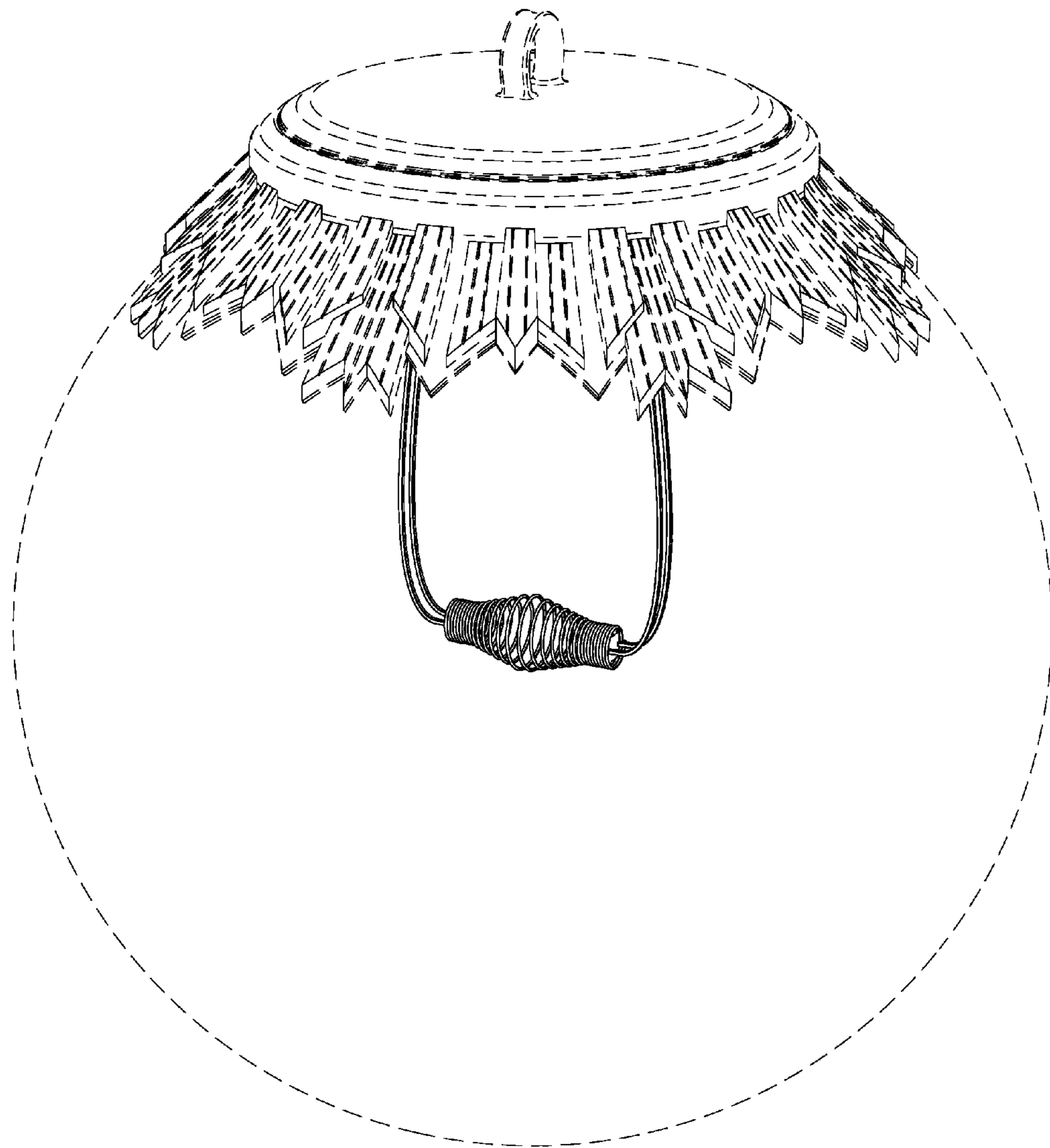


FIG. 1

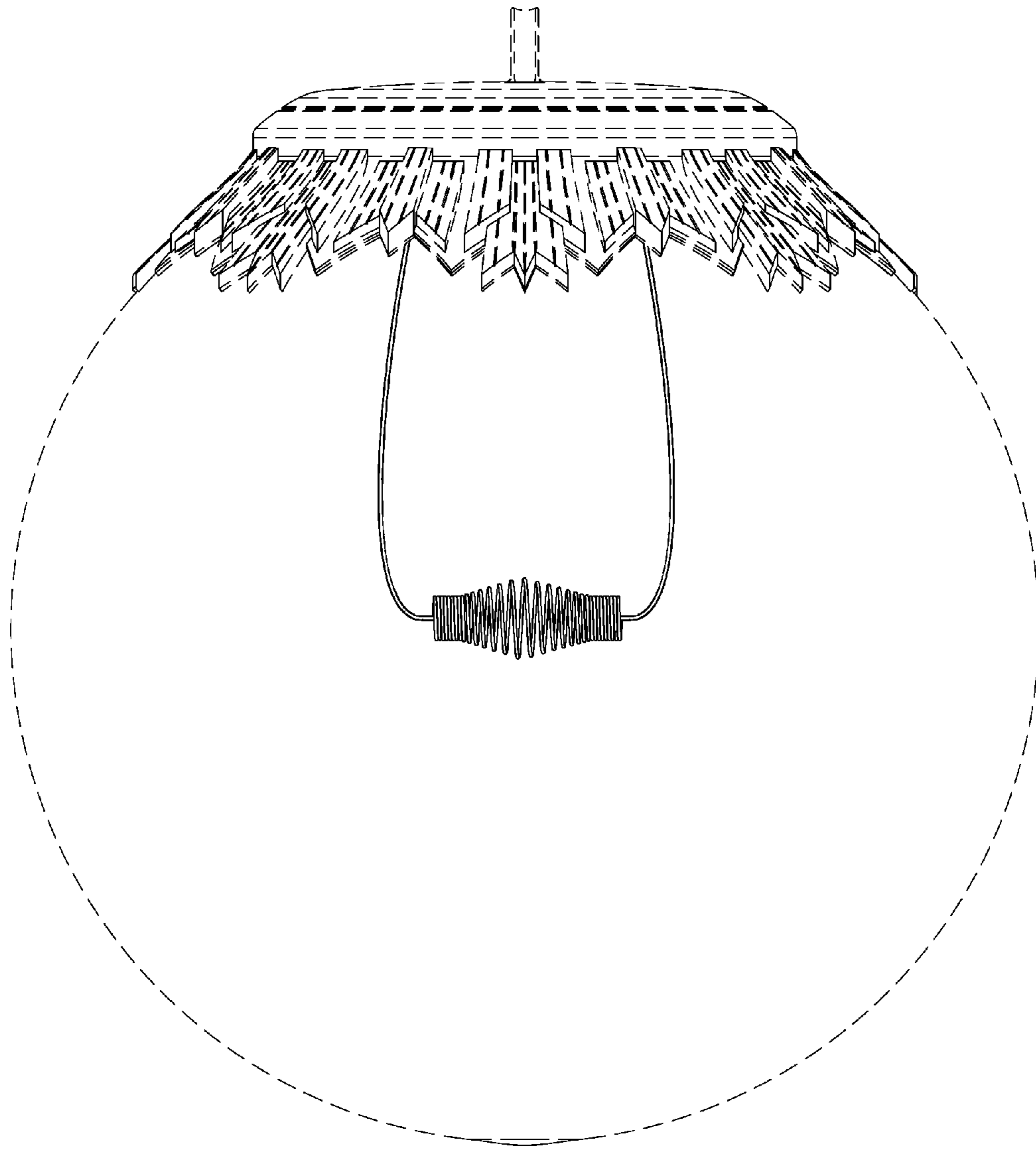


FIG. 2

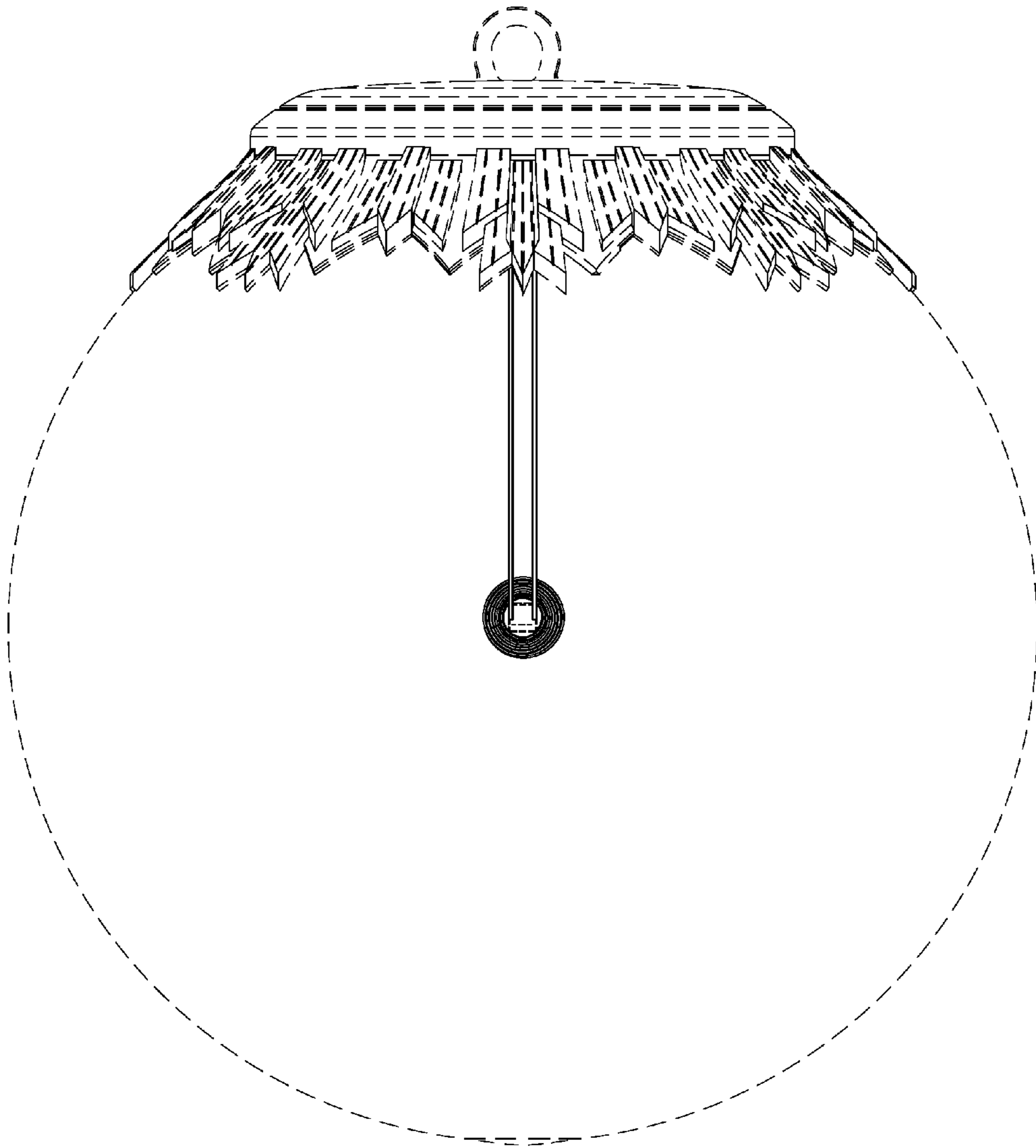


FIG. 3

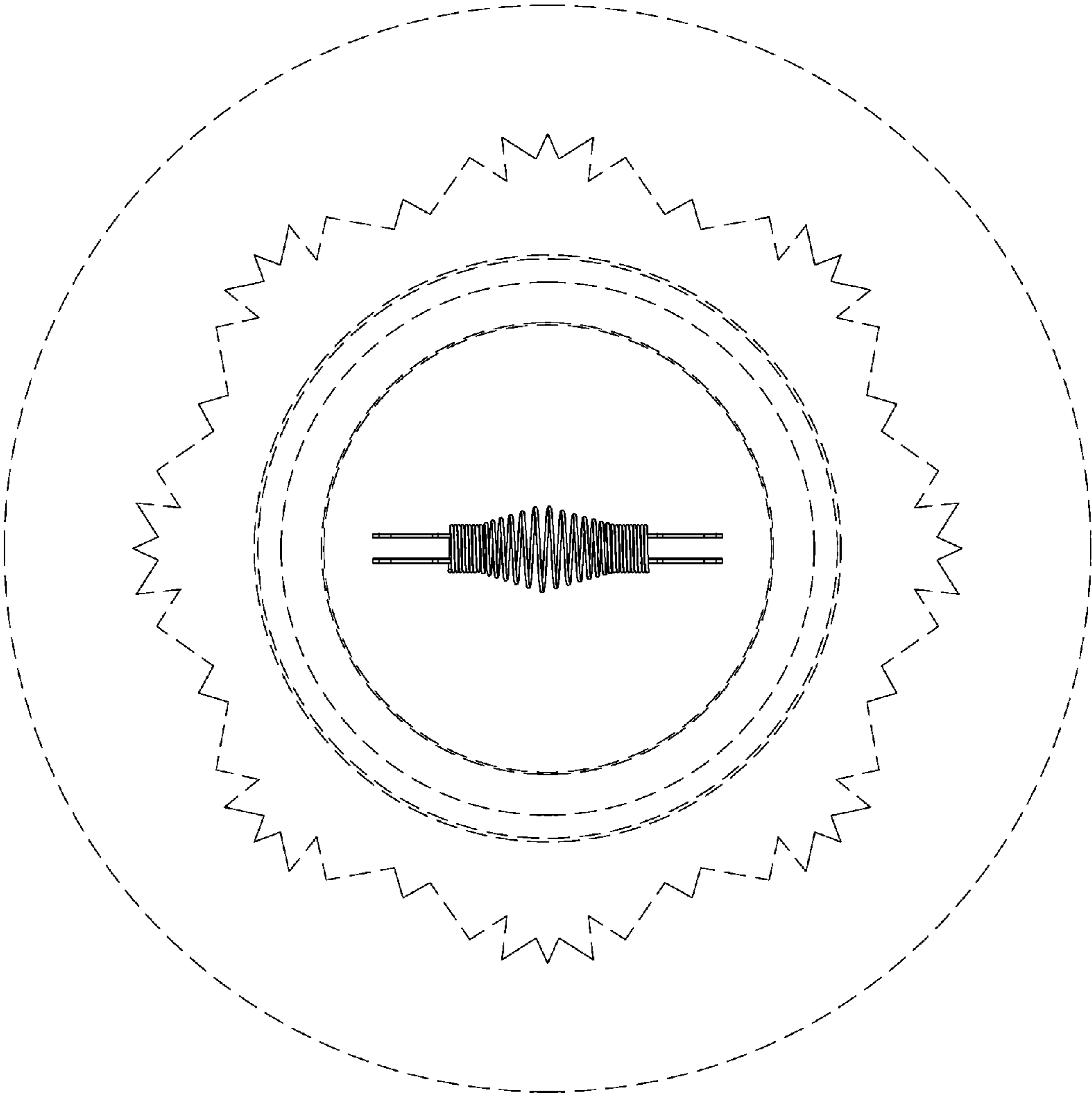


FIG. 4

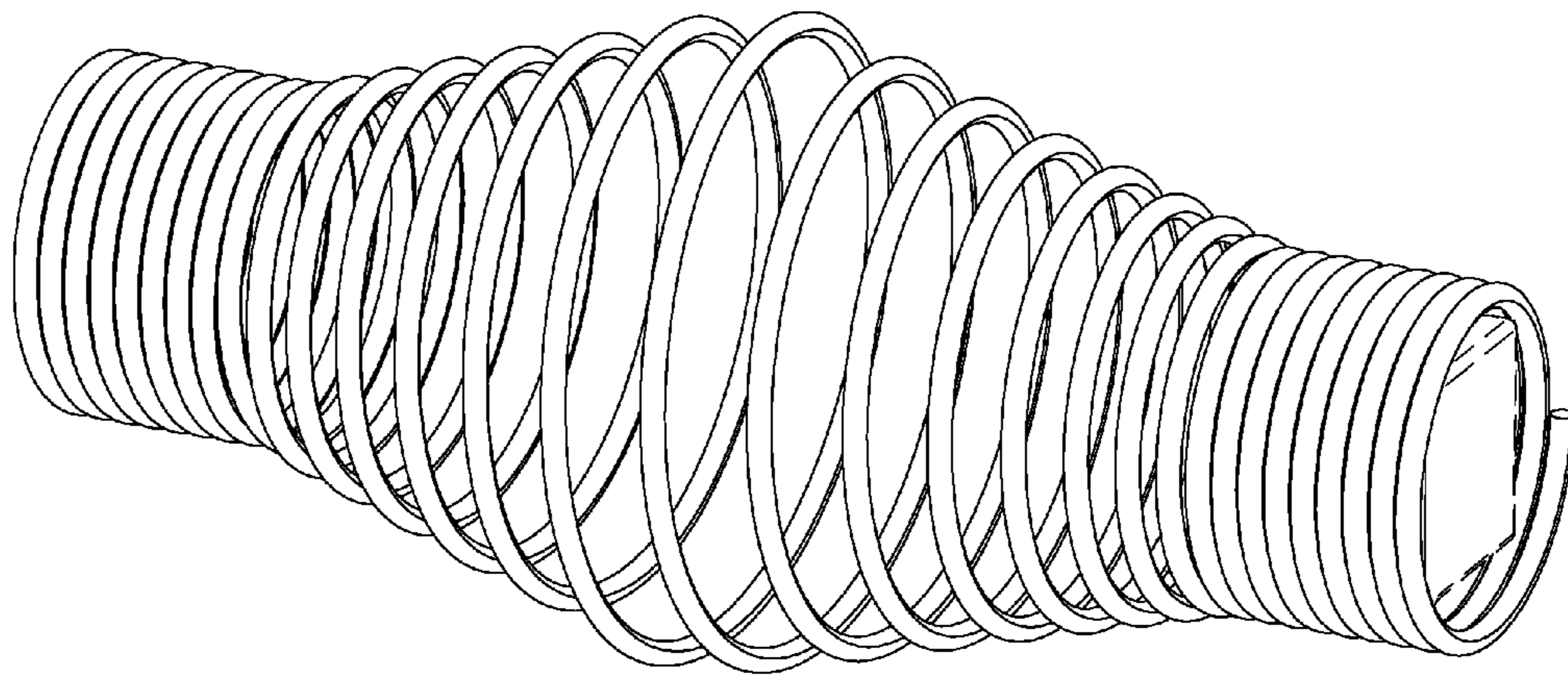


FIG. 5

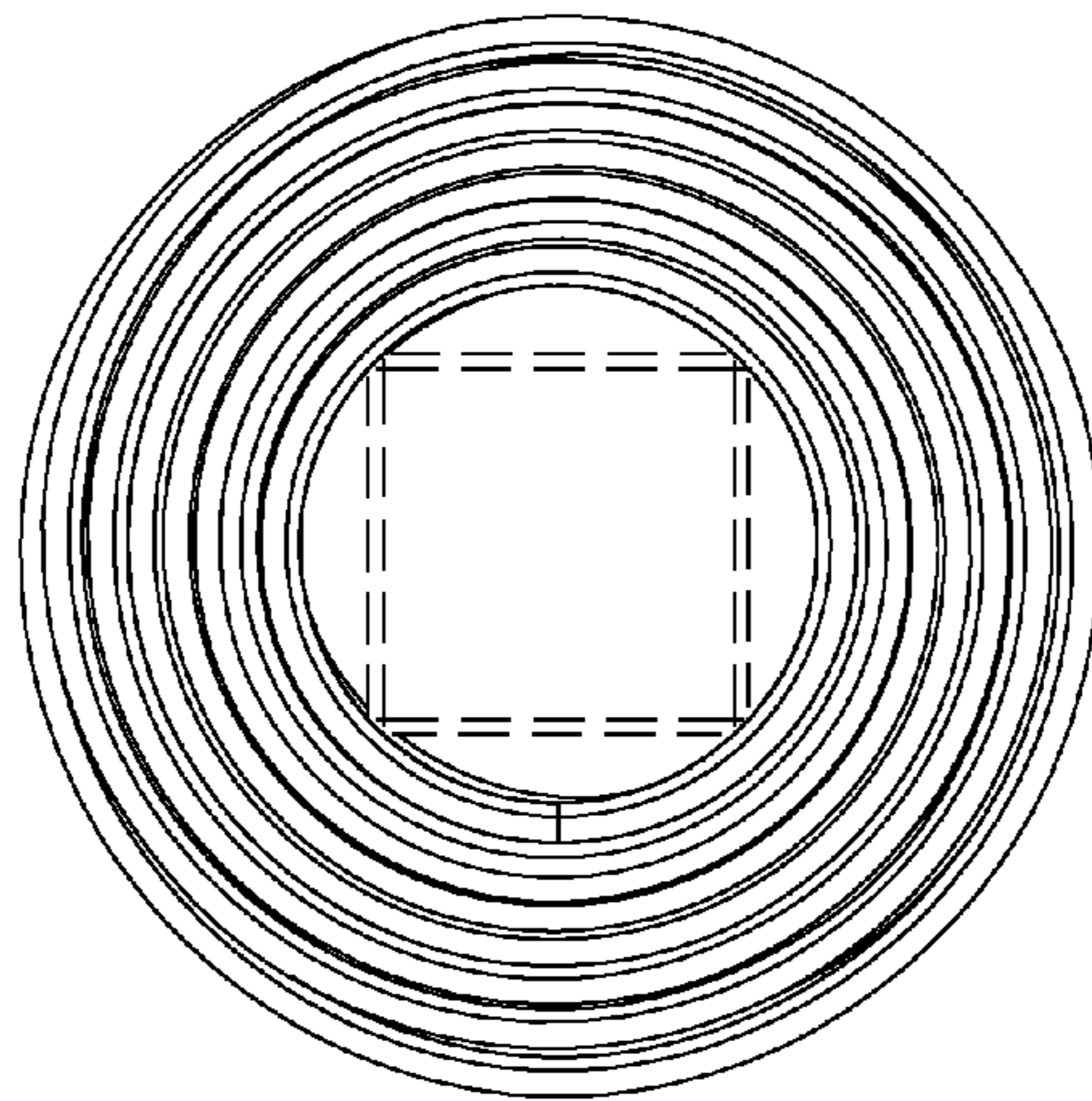


FIG. 6