



US00D670595S

(12) **United States Design Patent**
Vandehey et al.

(10) **Patent No.:** **US D670,595 S**
(45) **Date of Patent:** **** Nov. 13, 2012**

(54) **EAGLE INSIGNIA BADGE FOR A MACHINE**

(75) Inventors: **Bradley J. Vandehey**, Lake Oswego, OR
(US); **D. Clark Jordan**, Boring, OR
(US); **Scott E. Schauer**, Portland, OR
(US)

(73) Assignee: **Cascade Corporation**, Portland, OR
(US)

(**) Term: **14 Years**

(21) Appl. No.: **29/417,483**

(22) Filed: **Apr. 4, 2012**

(51) **LOC (9) Cl.** **11-03**

(52) **U.S. Cl.** **D11/107**

(58) **Field of Classification Search** D11/107,
D11/134, 137, 158, 162, 131-132, 181, 95,
D11/109, 53, 54, 79, 81, 99, 100, 233; D21/160;
D12/190, 213, 204; 63/1.11, 35; D10/46.1
See application file for complete search history.

(56) **References Cited**

U.S. PATENT DOCUMENTS

D62,398 S *	5/1923	Hunt	D11/137
D182,489 S *	4/1958	Wills	D11/137
D233,242 S *	10/1974	Brotman	D11/137
D254,403 S *	3/1980	Brouwer	D11/233
D272,424 S *	1/1984	Stahel	D11/107
D325,888 S *	5/1992	Carroll	D11/132
D340,205 S *	10/1993	Ilaria et al.	D11/137
D379,000 S *	4/1997	Choi	D12/213
D504,376 S *	4/2005	Tsai	D12/204
D520,403 S *	5/2006	Schumacher	D11/99
D585,776 S *	2/2009	Cowen et al.	D10/46.1
D646,211 S *	10/2011	Hu	D12/190

OTHER PUBLICATIONS

Cascade Corporation, U.S. Appl. No. 29/412,951, Feb. 9, 2012, 8 pages.
Cascade Corporation, U.S. Appl. No. 29/412,973, Feb. 9, 2012, 5 pages.
Cascade Corporation, U.S. Trademark Registration No. 1,153,668, May 12, 1981, 1 page.
Cascade Corporation, www.cascorp.com, Sep. 12, 2012, 1 page.

* cited by examiner

Primary Examiner — T. Chase Nelson

Assistant Examiner — Mark Cavanna

(74) *Attorney, Agent, or Firm* — Chernoff Vilhauer McClung & Stenzel LLP

(57) **CLAIM**

The ornamental design for an eagle insignia badge for a machine, as shown and described.

DESCRIPTION

FIG. 1 is an isometric view from the upper right front of an eagle insignia badge for a machine embodying our new design;

FIG. 2 is a front elevational view thereof;

FIG. 3 is a left side elevational view thereof;

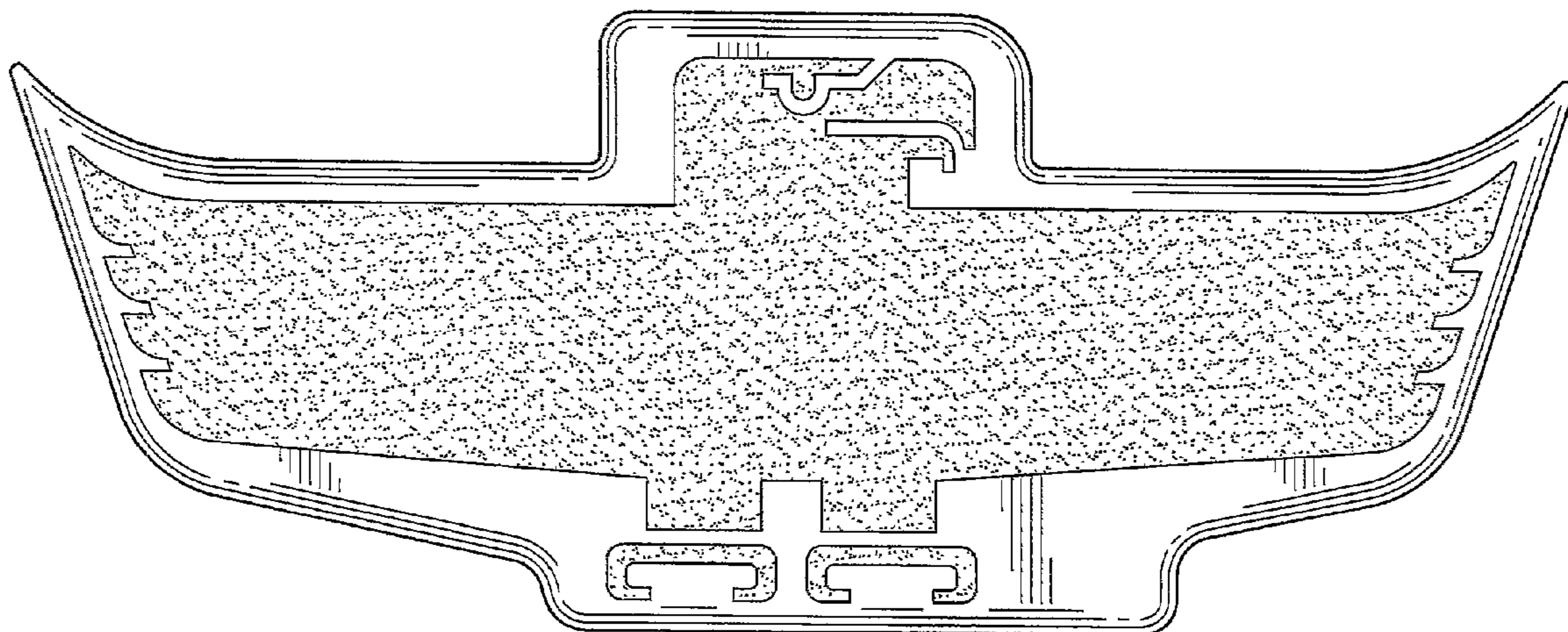
FIG. 4 is a right side elevational view thereof;

FIG. 5 is a top plan view thereof; and,

FIG. 6 is a bottom plan view thereof, the rear surface thereof forming no part of the claimed design and not being depicted. The stippled portions in FIGS. 1 and 2, depicting an eagle shape on the front of the badge, are of a visually contrasting appearance with respect to the remainder of the badge.

The eagle shape on the front of the insignia badge, as shown outlined in FIGS. 1 and 2, is part of a registered trademark of Cascade Corporation, an Oregon corporation.

1 Claim, 2 Drawing Sheets



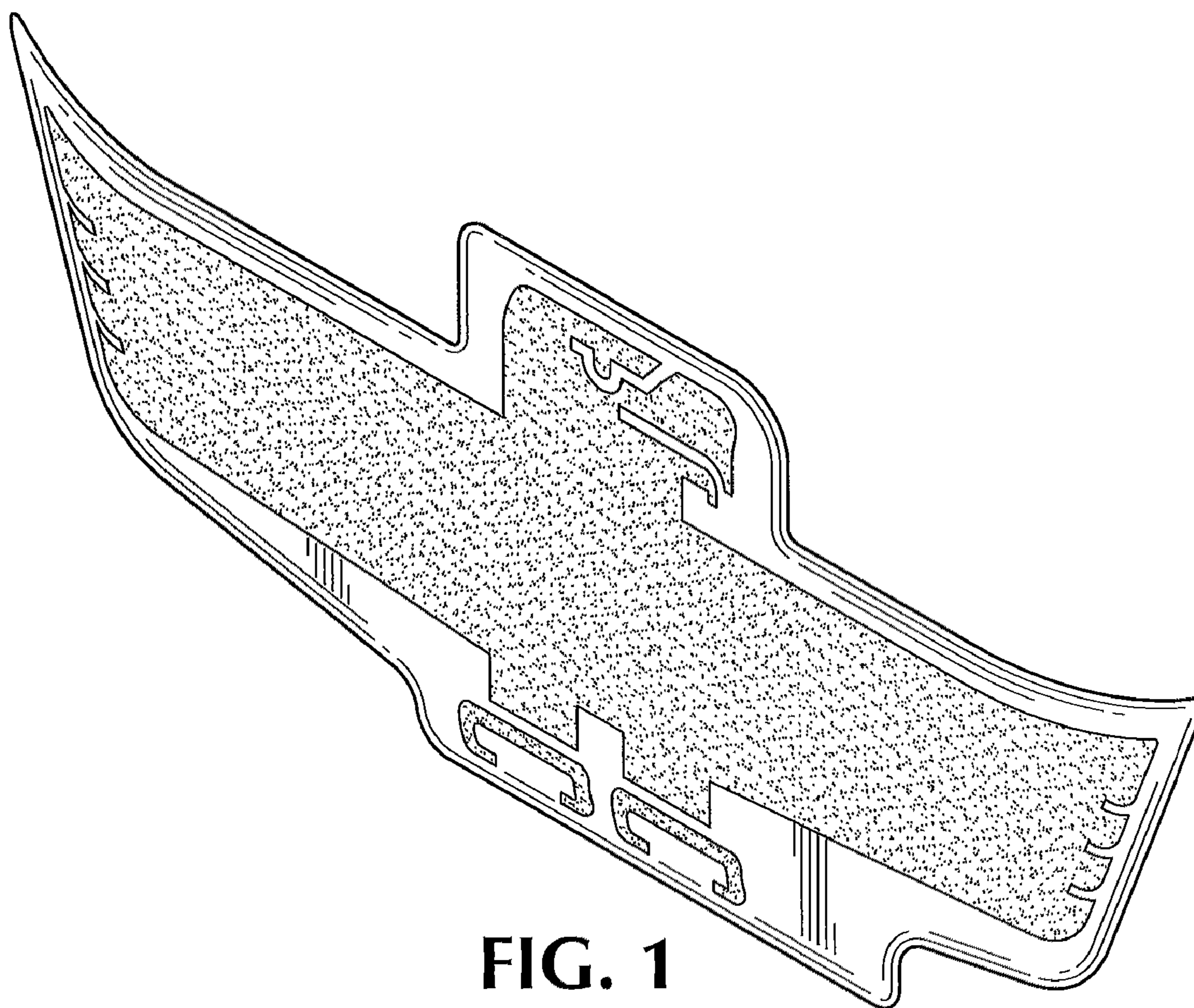


FIG. 1



FIG. 5

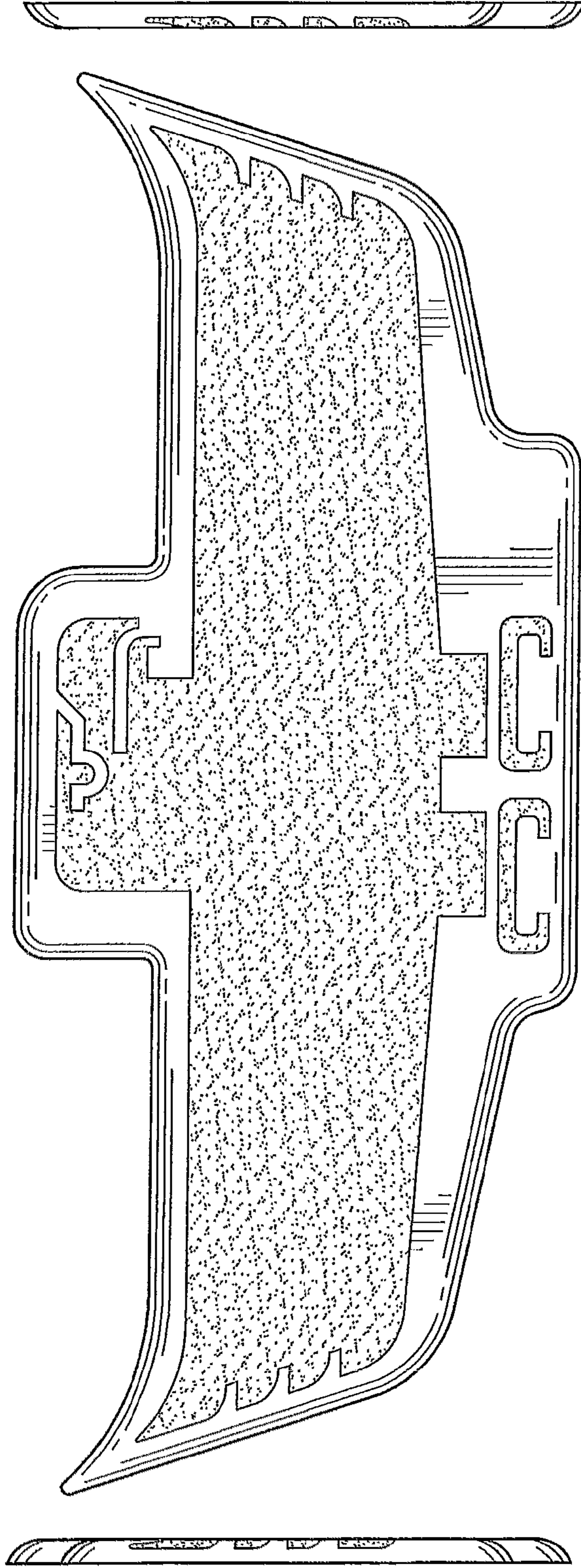


FIG. 3

FIG. 2

FIG. 4

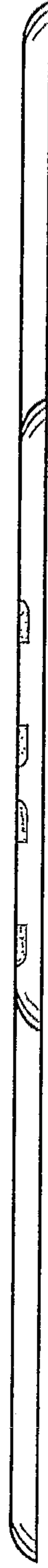


FIG. 6