



US00D670594S

(12) **United States Design Patent**
Yu

(10) **Patent No.:** **US D670,594 S**
(45) **Date of Patent:** **** Nov. 13, 2012**

(54) **RING**

(76) Inventor: **Young-Kee Yu**, Tokyo (JP)

(**) Term: **14 Years**

(21) Appl. No.: **29/419,832**

(22) Filed: **May 2, 2012**

(51) **LOC (9) Cl.** **11-01**

(52) **U.S. Cl.** **D11/30**

(58) **Field of Classification Search** D11/1-3,
D11/26-39, 222; 63/3, 3.1, 3.2, 15, 15.1-15.4,
63/15.45, 15.5, 15.6, 15.65, 15.7, 26-28
See application file for complete search history.

(56) **References Cited**

U.S. PATENT DOCUMENTS

D109,626	S	*	5/1938	Stein et al.	63/15
D134,291	S	*	11/1942	Karples	D11/28
D148,723	S	*	2/1948	Richey	D11/27
D152,460	S	*	1/1949	Dumovitz	D11/30
D154,641	S	*	7/1949	Schrager	D11/30
D295,968	S	*	5/1988	Anderson	D11/61
D311,153	S	*	10/1990	Chirieleison	D11/32
D402,570	S	*	12/1998	Wright et al.	D11/30
D415,068	S	*	10/1999	Calvani	D11/222
D617,680	S	*	6/2010	Graff	D11/222

OTHER PUBLICATIONS

<http://cn1.kaboodle.com/hi/img/2/0/0/112/2/AAAAAjUpfrIAAAAAARJtAjpg?v=1214147695000>. Accessed Jul. 11, 2012.*
http://svboutique.com/assets/pictures/blog_pow%20ring.jpg. Accessed Jul. 11, 2012.*
http://sonewyork.files.wordpress.com/2008/09/pow_ring.jpg. Accessed Jul. 11, 2012.*
http://img.auctiva.com/imgdata/1/2/9/4/6/2/7/webimg/465346737_o.jpg. Accessed Jul. 11, 2012.*

* cited by examiner

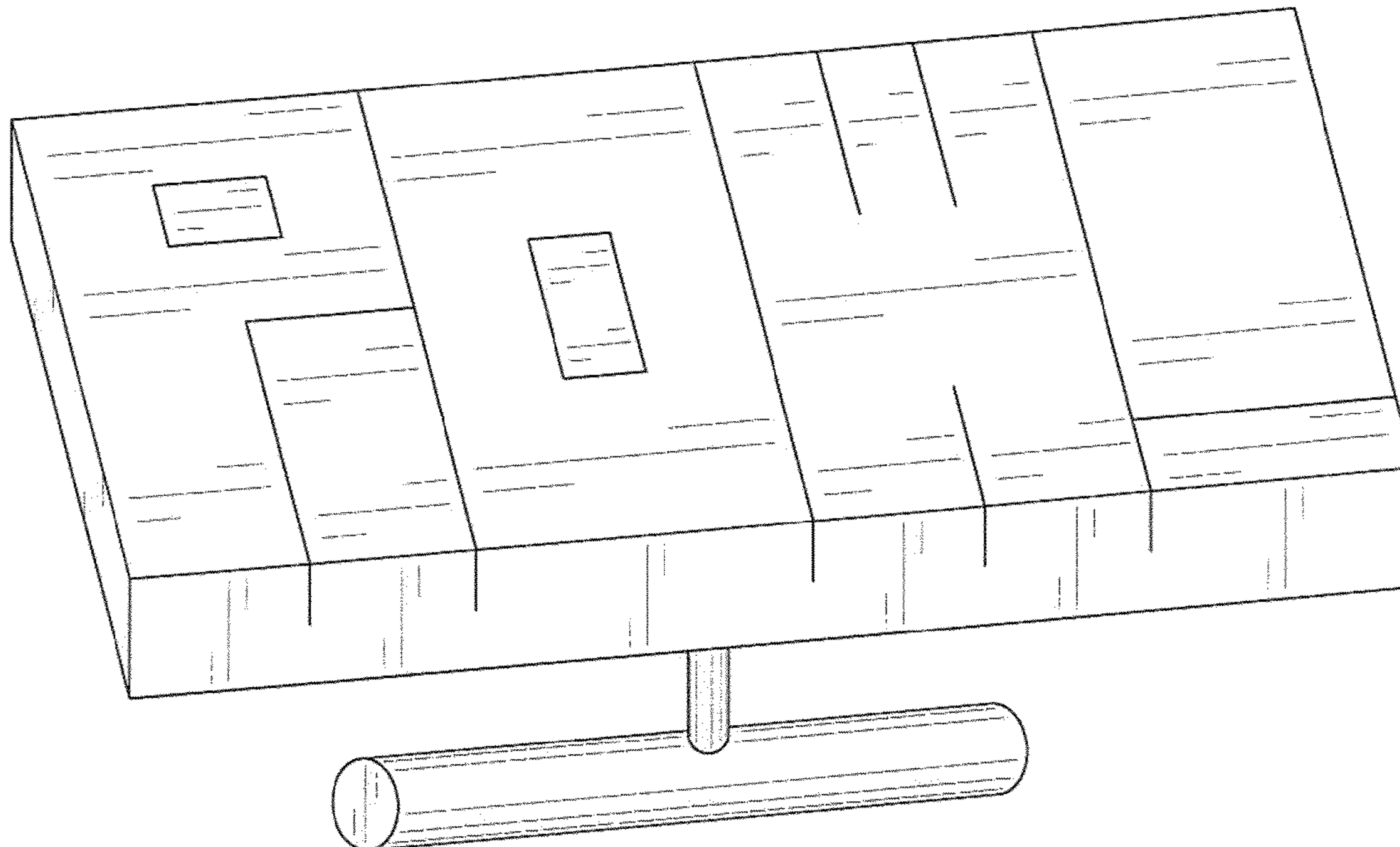
Primary Examiner — Cathron Brooks
Assistant Examiner — Melanie Pellegrini
(74) *Attorney, Agent, or Firm* — Sherr & Jiang, PLLC

(57) **CLAIM**
The ornamental design for a ring, as shown and described.

DESCRIPTION

FIG. 1 is a top perspective view of a ring showing my new design;
FIG. 2 is a top plan view thereof;
FIG. 3 is a bottom plan view thereof;
FIG. 4 is a left side elevational view thereof;
FIG. 5 is a right side elevational view thereof;
FIG. 6 is a front elevational view thereof; and,
FIG. 7 is a rear elevational view thereof.

1 Claim, 7 Drawing Sheets



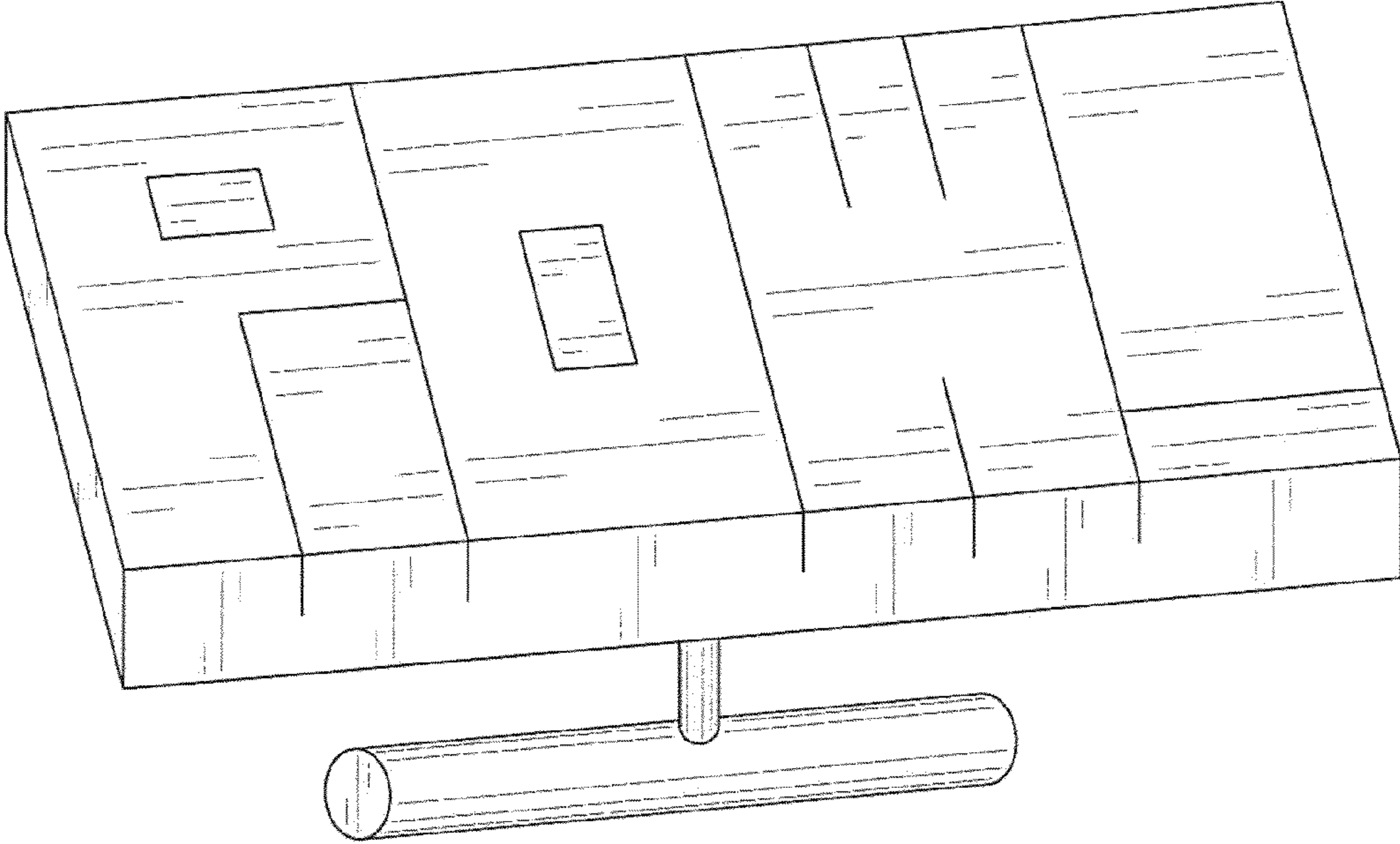


FIG. 1

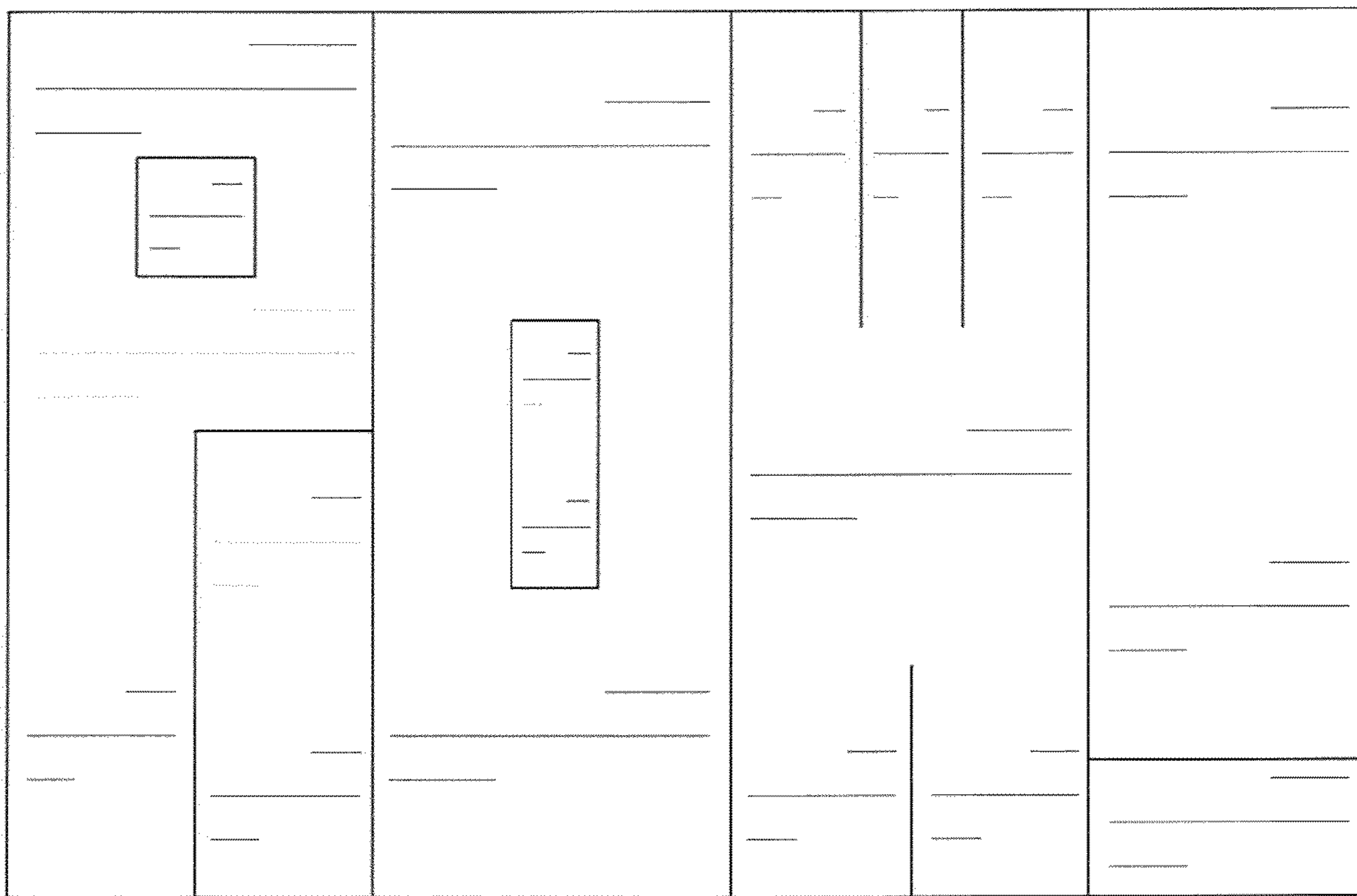


FIG. 2

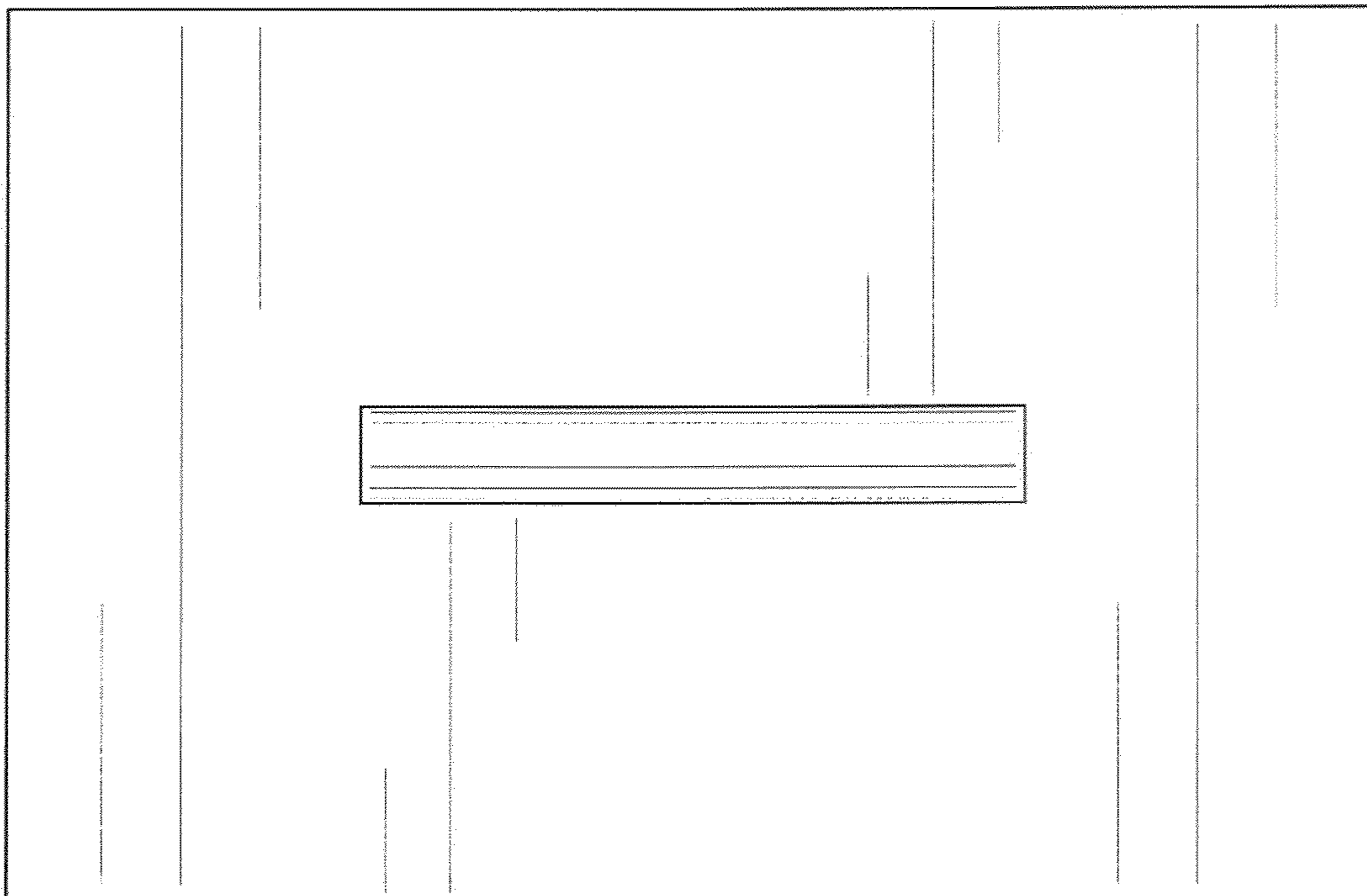


FIG. 3

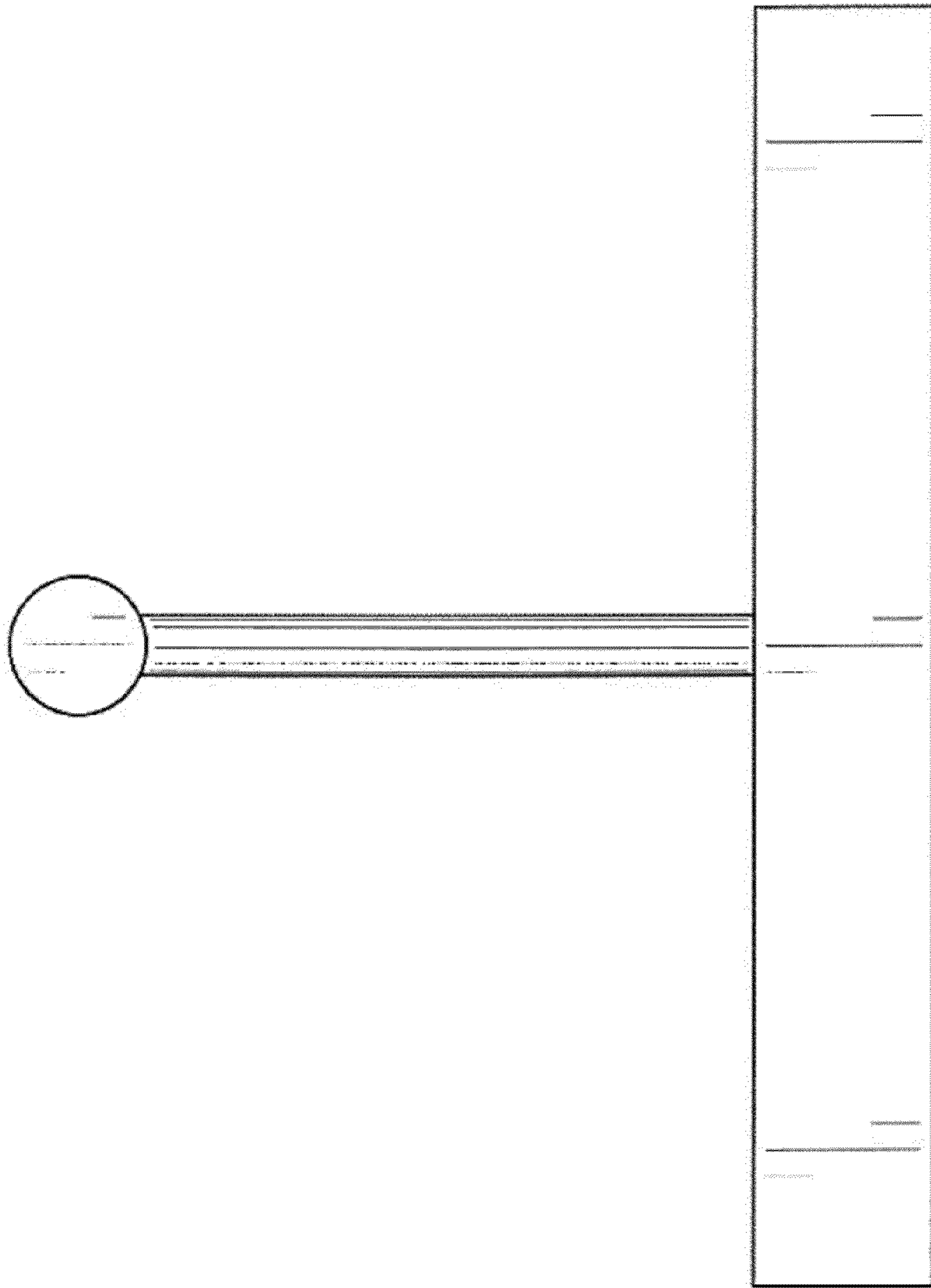


FIG. 4

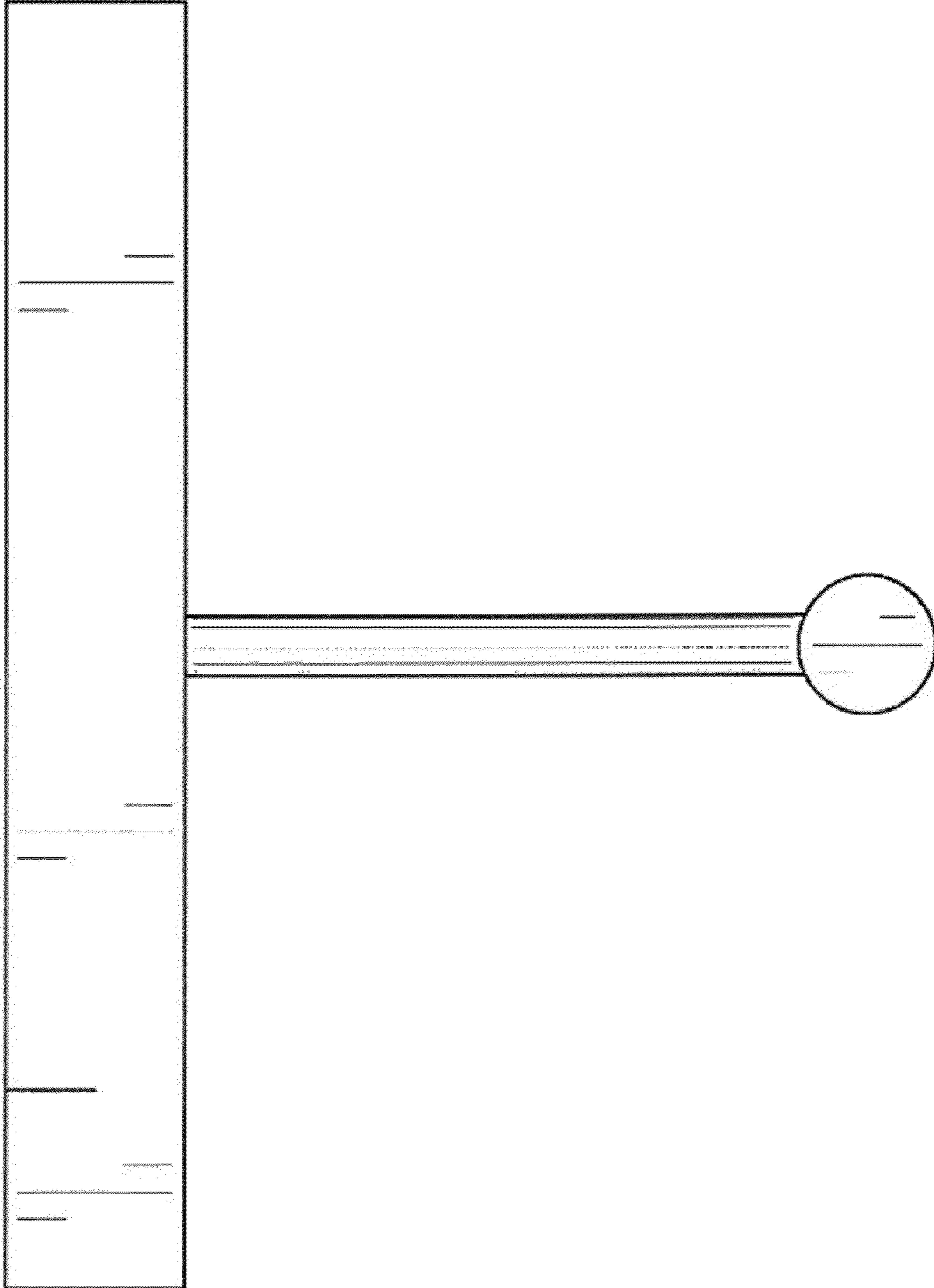


FIG. 5

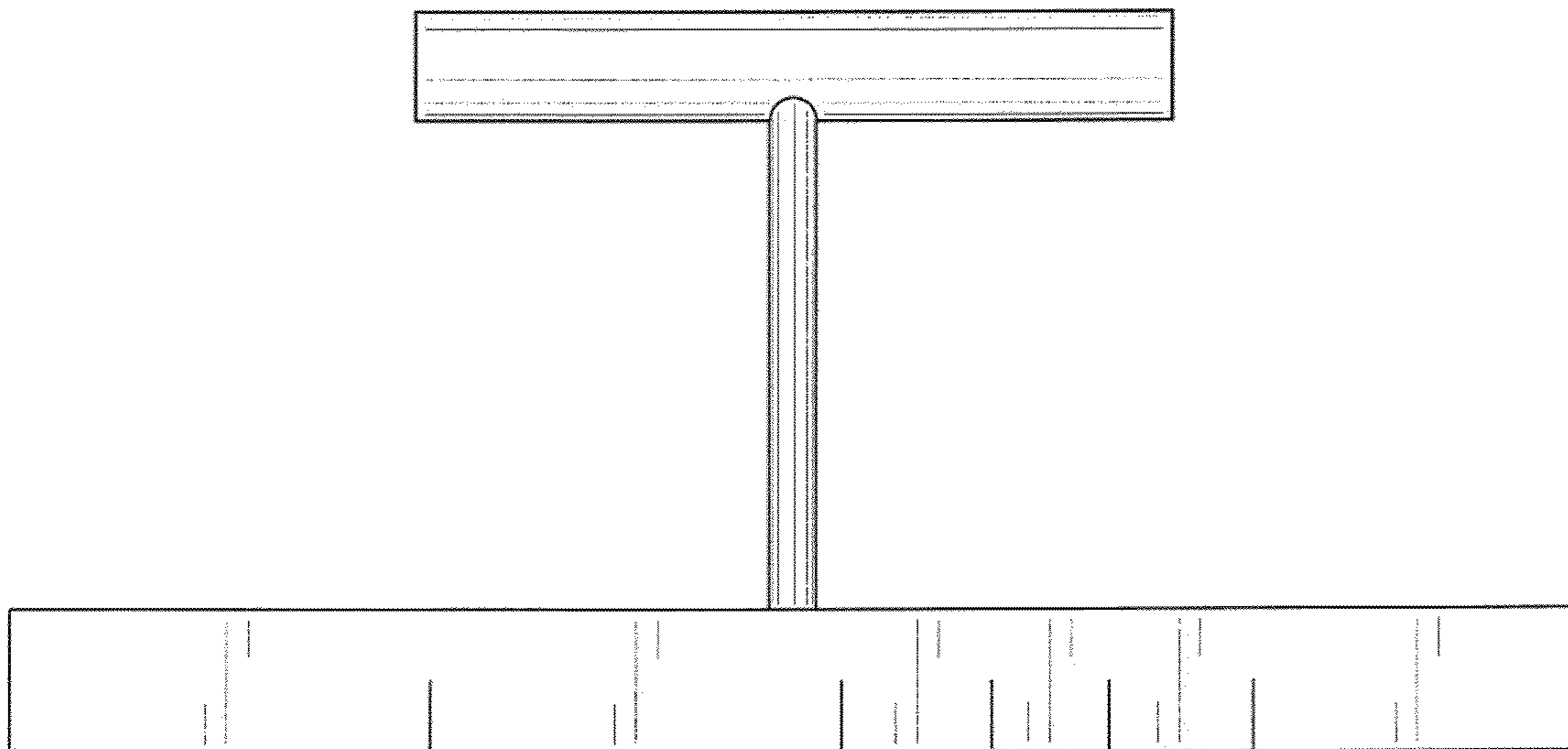


FIG. 6

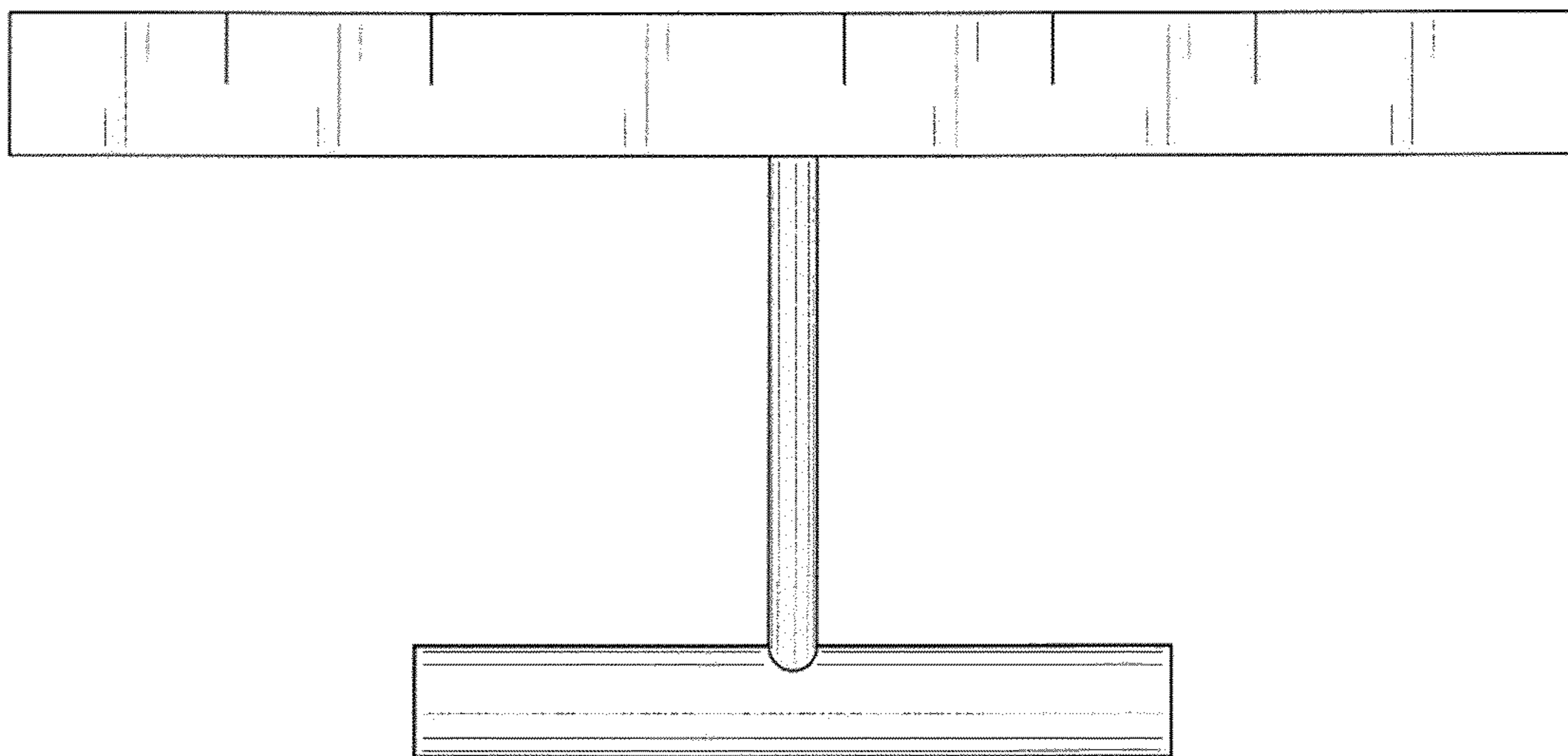


FIG. 7