



US00D670592S

(12) **United States Design Patent**
Ten Wolde

(10) **Patent No.:** **US D670,592 S**

(45) **Date of Patent:** **** Nov. 13, 2012**

(54) **SAFETY/EMERGENCY LIGHTING APPARATUS**

(75) Inventor: **Michel Robert Ten Wolde**, The Hague (NL)

(73) Assignee: **Nodazzle Holding BV**, The Hague (NL)

(**) Term: **14 Years**

(21) Appl. No.: **29/394,145**

(22) Filed: **Jun. 14, 2011**

(30) **Foreign Application Priority Data**

Dec. 14, 2010 (EM) 001793621-0001/0009

(51) **LOC (9) Cl.** **10-05**

(52) **U.S. Cl.** **D10/114.2**

(58) **Field of Classification Search** D10/114.1, D10/114.2, 114.8, 113.1; D26/30, 31, 37, D26/72; 404/9-16; 362/40, 414, 431, 308, 362/327, 183-208; D13/139.3, 152
See application file for complete search history.

(56) **References Cited**

U.S. PATENT DOCUMENTS

D185,725 S * 7/1959 Na D13/156
D484,633 S * 12/2003 Campagna D26/72

D516,930 S * 3/2006 Dicke et al. D10/114.1
D524,673 S * 7/2006 Dicke et al. D10/114.1
D525,894 S * 8/2006 Chiang et al. D10/114.1
D571,245 S * 6/2008 Dicke et al. D10/114.1
D627,916 S * 11/2010 Butteris et al. D26/85

* cited by examiner

Primary Examiner — George D Kirschbaum

(74) *Attorney, Agent, or Firm* — Jordan IP Law, LLC

(57) **CLAIM**

The ornamental design for a safety/emergency lighting apparatus, as shown.

DESCRIPTION

FIG. 1 illustrates a perspective view of a safety/emergency lighting apparatus.

FIG. 2 illustrates an inverted front plan view thereof.

FIG. 3 illustrates a top plan view thereof.

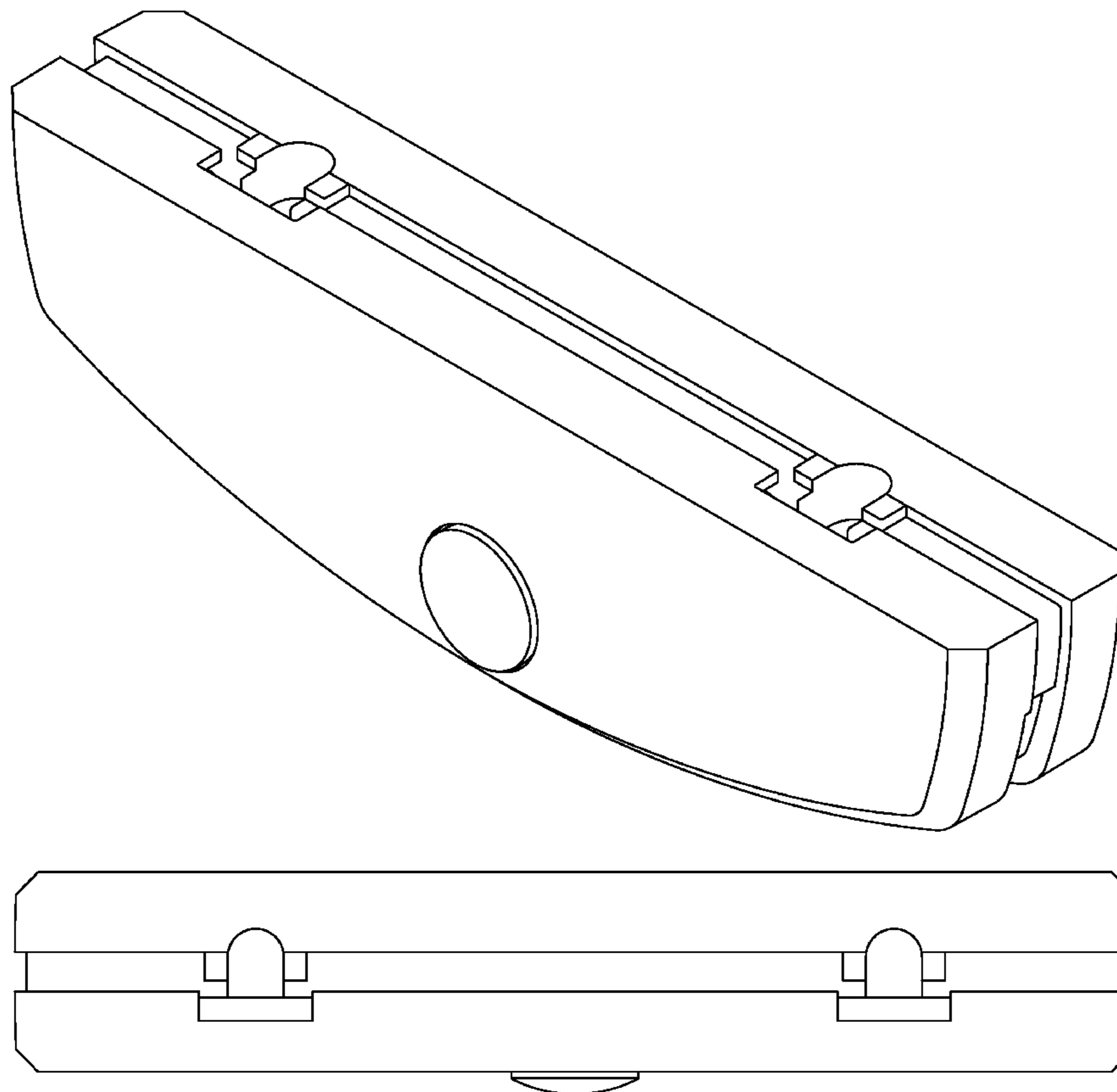
FIG. 4 illustrates a side plan view thereof.

FIG. 5 illustrates a front plan view thereof.

FIG. 6 illustrates a side plan view thereof; and,

FIG. 7 illustrates a bottom plan view thereof.

1 Claim, 7 Drawing Sheets



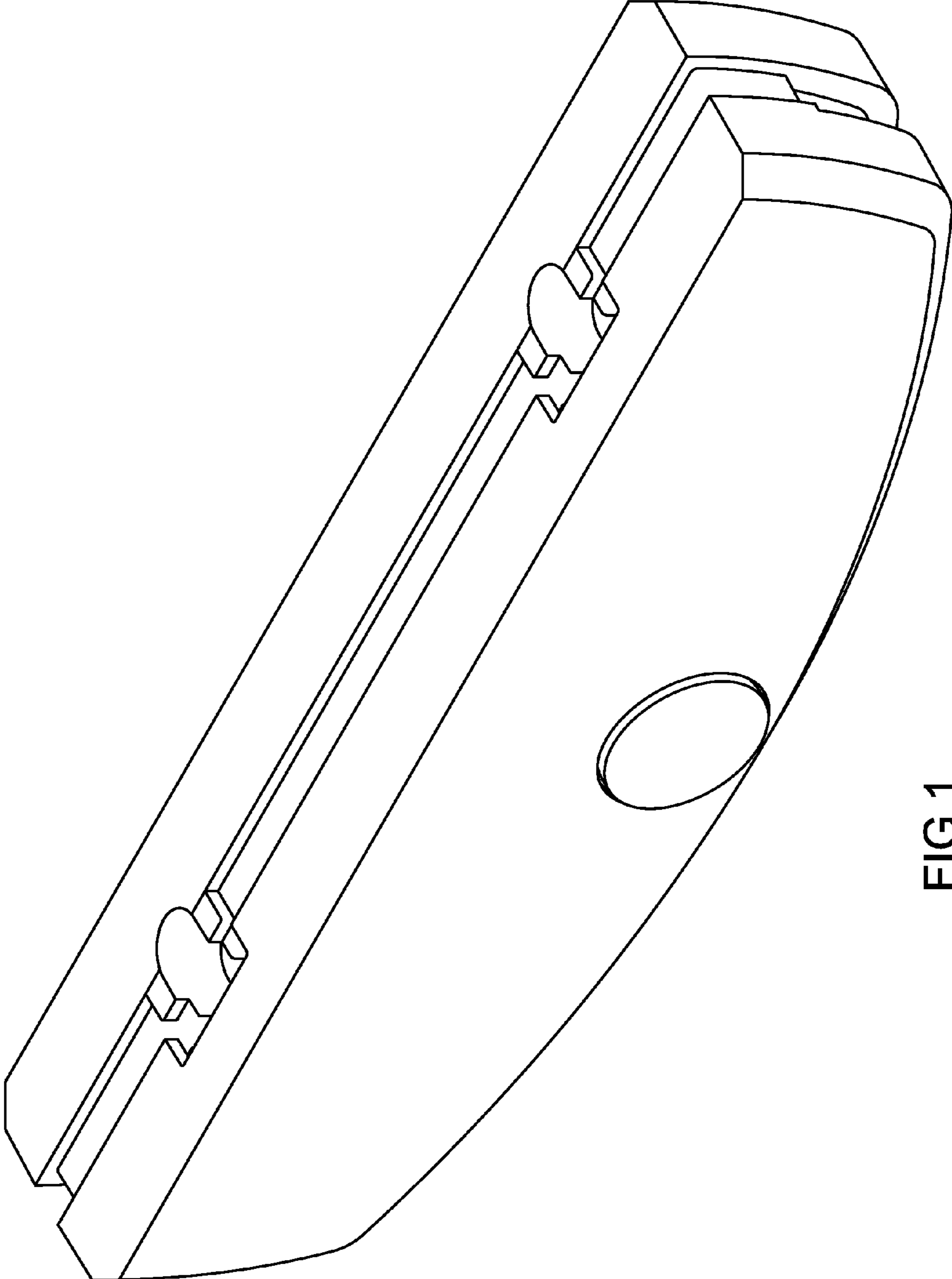


FIG.1

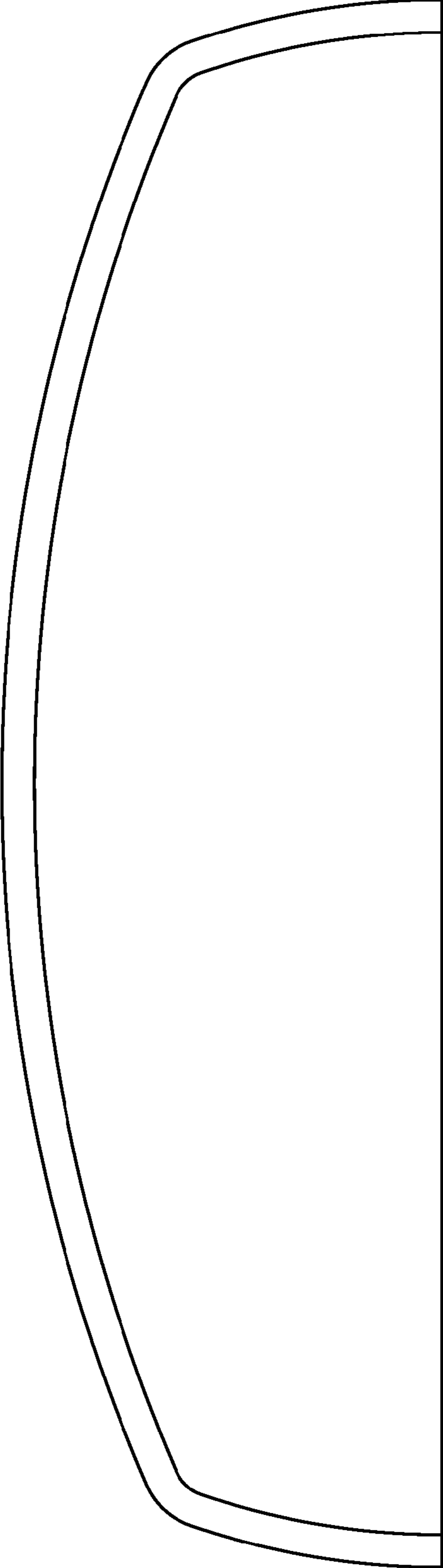


FIG.2

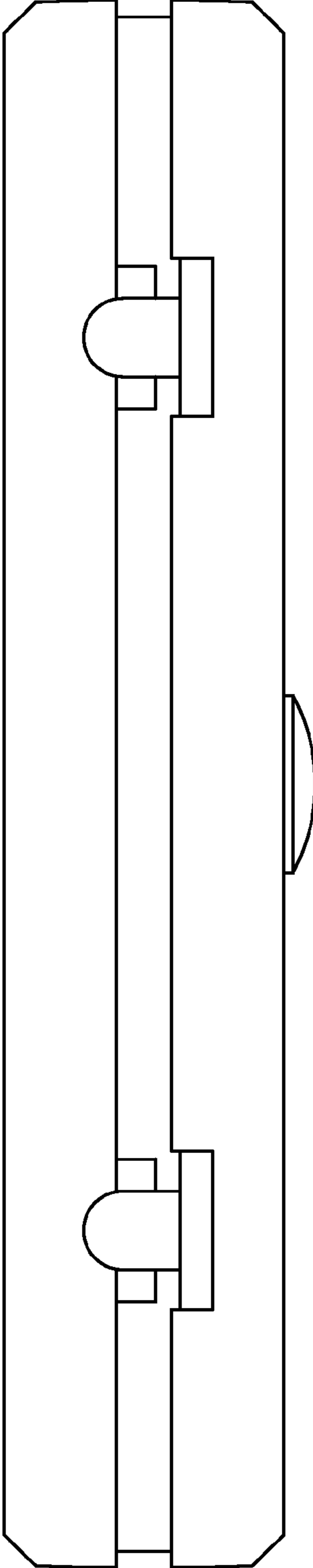


FIG.3

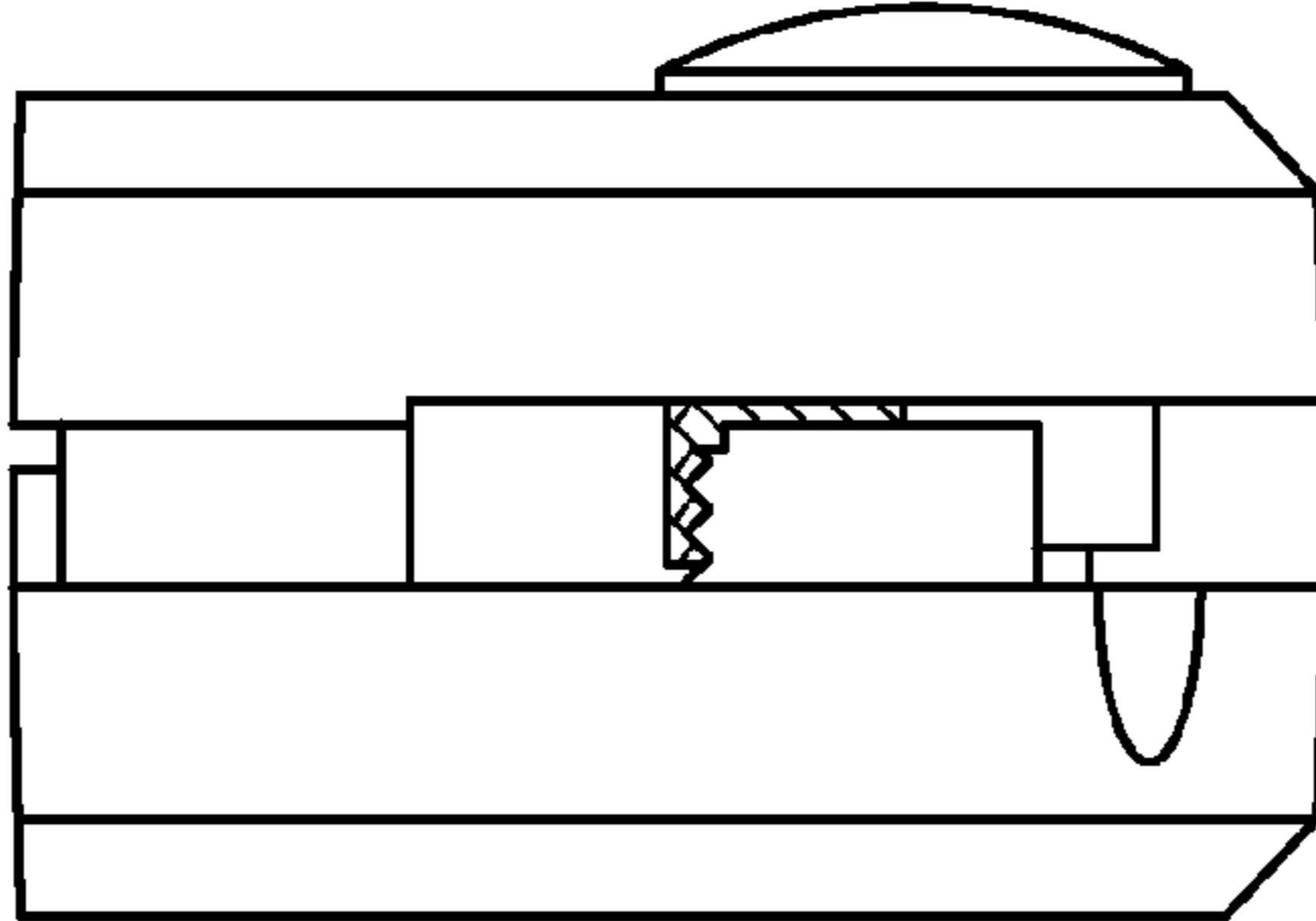


FIG.4

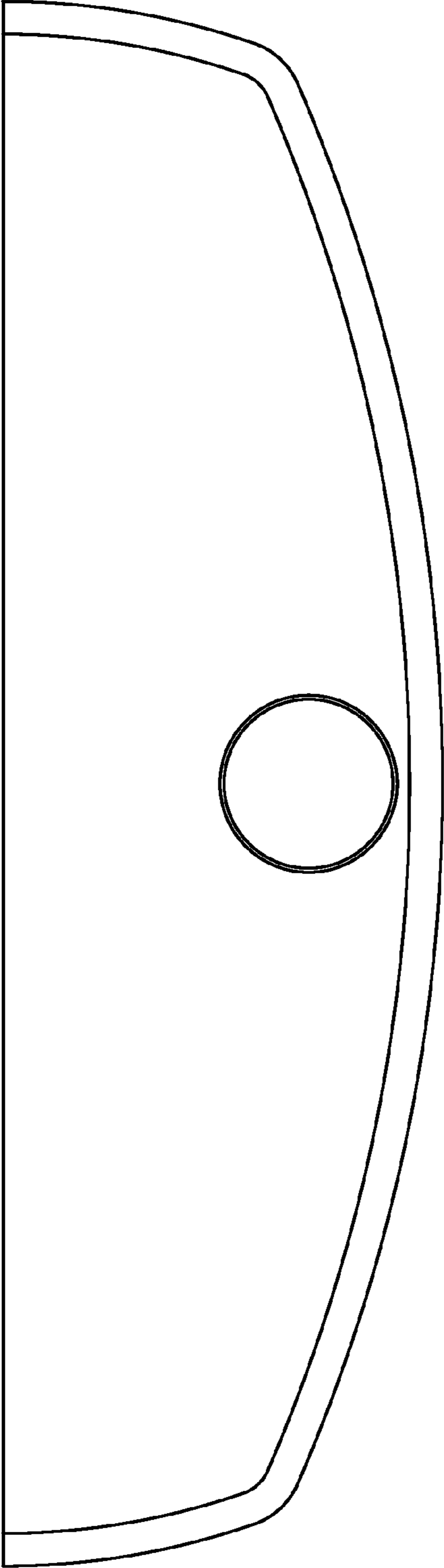


FIG.5

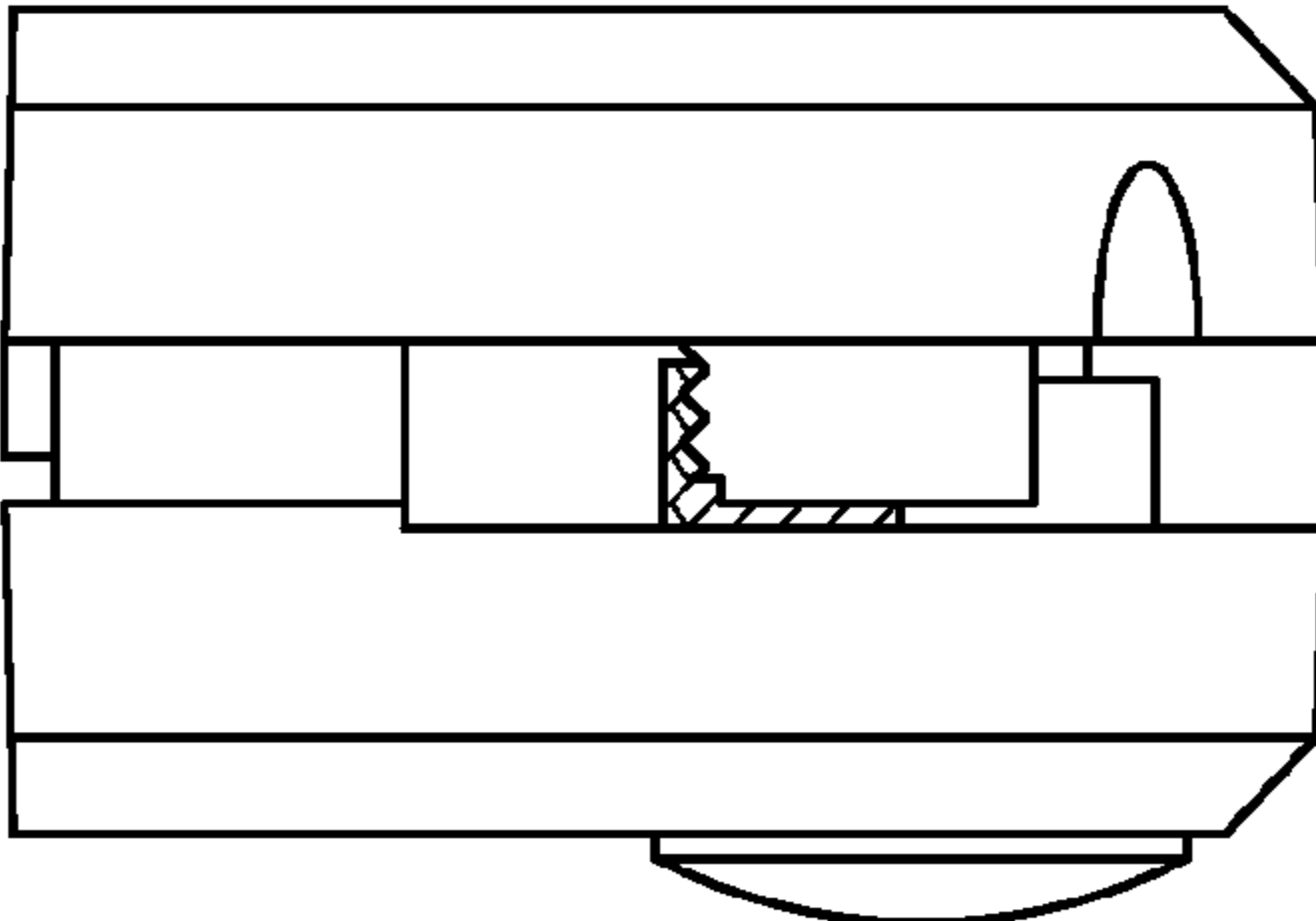


FIG.6

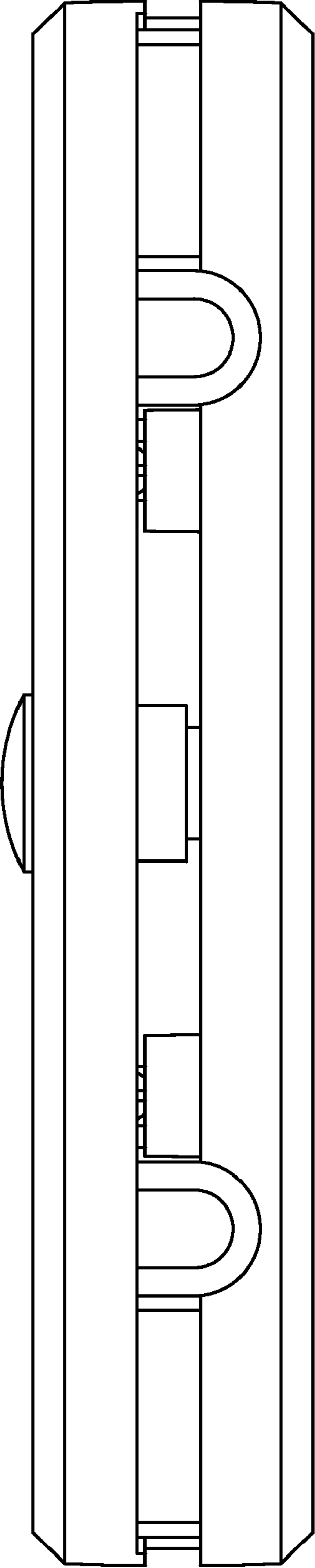


FIG.7