



US00D670591S

(12) **United States Design Patent**
Bean et al.

(10) **Patent No.:** **US D670,591 S**

(45) **Date of Patent:** **** Nov. 13, 2012**

(54) **EARLY STREAMER EMISSION TERMINAL**

(75) Inventors: **Christopher A. Bean**, Canton, NC (US);
Woei Chiang Lee, Chai Wan (HK)

(73) Assignee: **Alltec Corporation**, Canton, NC (US)

(**) Term: **14 Years**

(21) Appl. No.: **29/364,667**

(22) Filed: **Jun. 25, 2010**
(Under 37 CFR 1.47)

(51) **LOC (9) Cl.** **10-05**

(52) **U.S. Cl.** **D10/105**

(58) **Field of Classification Search** D10/105;
361/230

See application file for complete search history.

(56) **References Cited**

U.S. PATENT DOCUMENTS

4,760,213	A	7/1988	Gumley	
D305,309	S *	1/1990	Heary	D10/105
D339,307	S *	9/1993	Heary	D10/105
6,069,314	A	5/2000	Varela	
6,320,119	B1	11/2001	Gumley	

6,597,559	B2 *	7/2003	Betts	361/230
7,041,895	B1	5/2006	Kim	
7,265,961	B2	9/2007	D'Alessandro	
7,495,168	B2	2/2009	Park	

* cited by examiner

Primary Examiner — George D Kirschbaum

(74) *Attorney, Agent, or Firm* — Hope Baldauff Hartman, LLC

(57) **CLAIM**

The ornamental design for an early streamer emission terminal, as shown and described.

DESCRIPTION

FIG. 1 is a perspective view of an early streamer emission terminal, according to an exemplary embodiment.

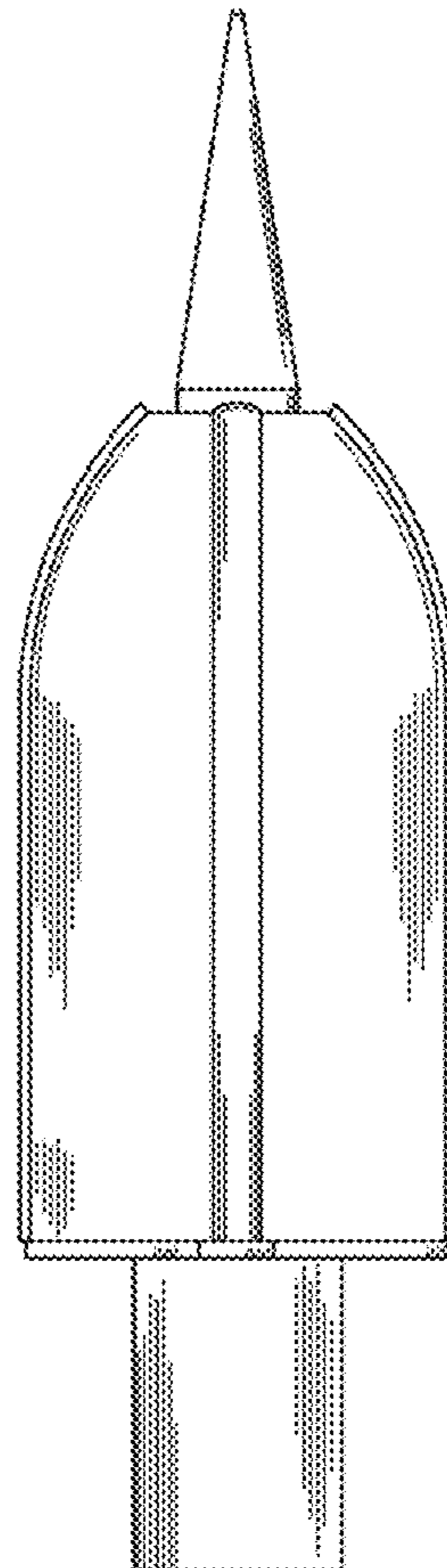
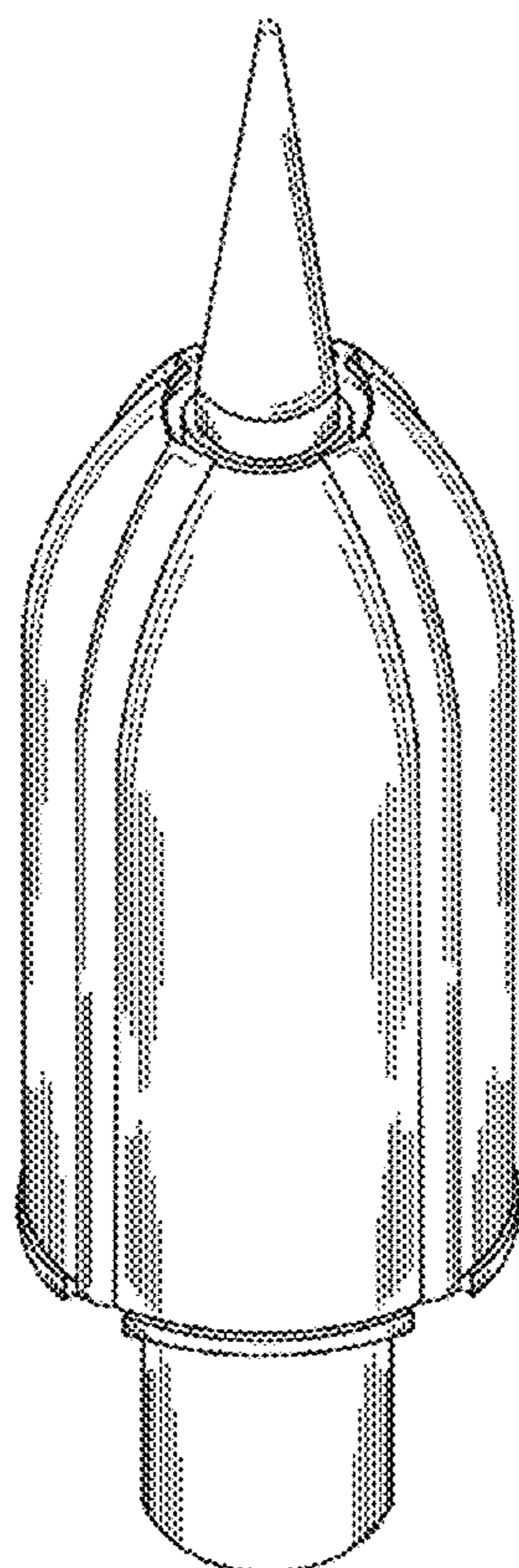
FIG. 2 is a side elevation view thereof, the opposite sides being a mirror image.

FIG. 3 is a top plan view thereof; and,

FIG. 4 is a bottom plan view thereof.

The broken line showing of interior elements and openings is included for the purpose of illustrating portions of the "article" and forms no part of the claimed design.

1 Claim, 4 Drawing Sheets



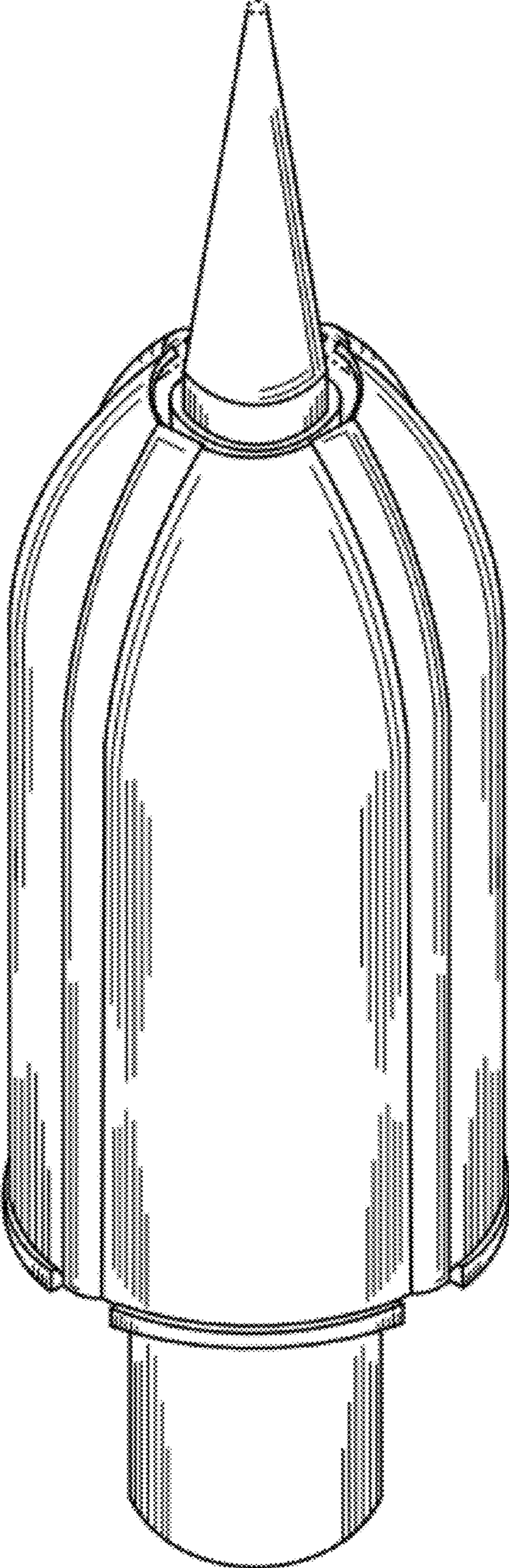


Fig. 1

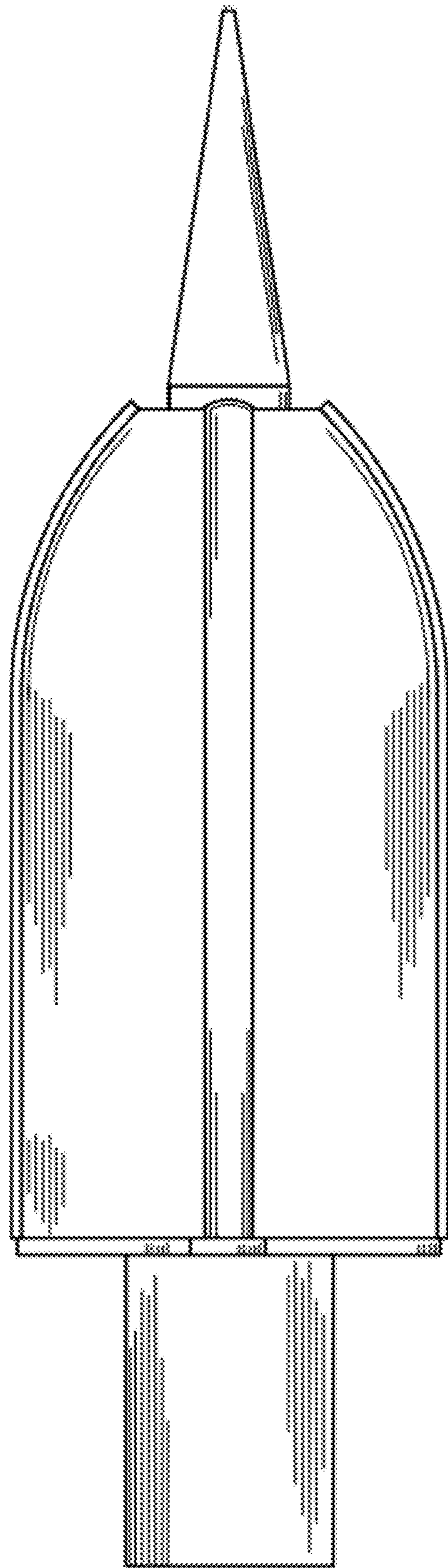


Fig. 2

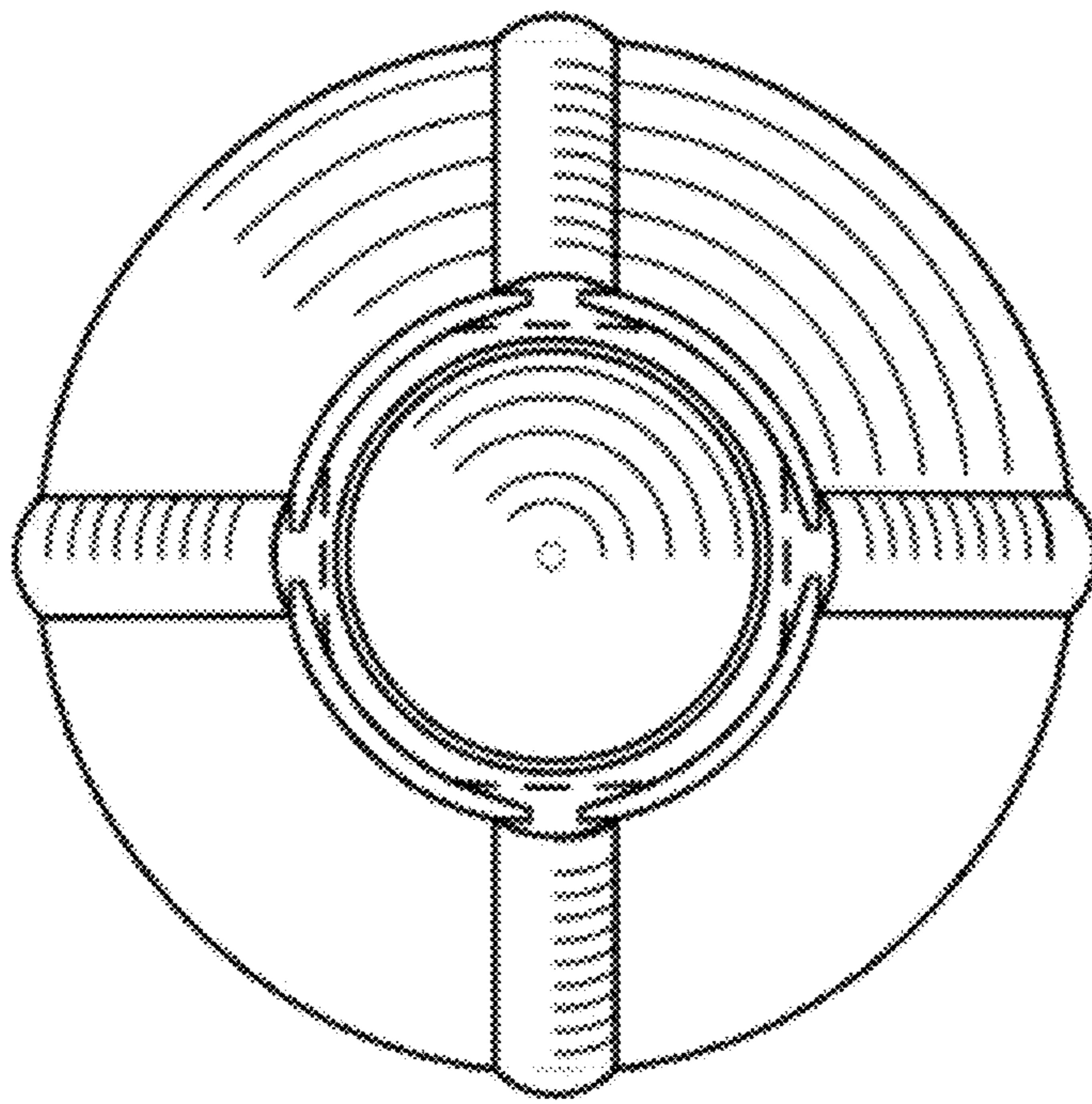


Fig. 3

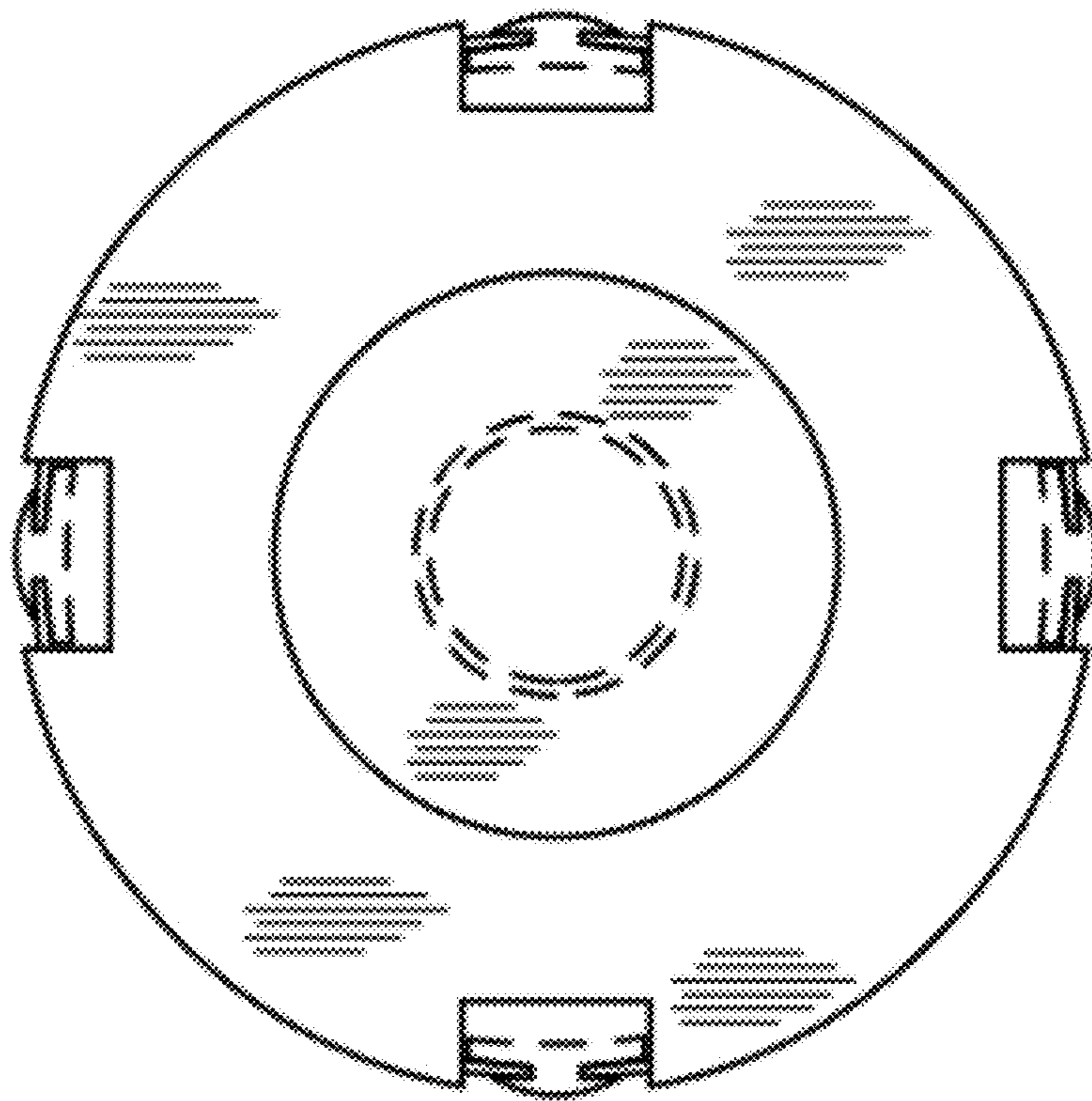


Fig. 4