



US00D670590S

(12) **United States Design Patent**
Pobocho et al.

(10) **Patent No.:** **US D670,590 S**

(45) **Date of Patent:** **** Nov. 13, 2012**

(54) **WEIGHING SCALE BODY**

(75) Inventors: **Zbigniew Pobocho**, Brookside, NJ (US);
Neil Olesen, Millington, NJ (US); **Jose**
A. Giron, West Orange, NJ (US);
Michael Albon, Madison, NJ (US);
Richard McAllister O'Grady,
Southington, CT (US)

(73) Assignee: **Ohaus Corporation**, Parsippany, NJ
(US)

(**) Term: **14 Years**

(21) Appl. No.: **29/396,757**

(22) Filed: **Jul. 6, 2011**

(51) **LOC (9) Cl.** **10-04**

(52) **U.S. Cl.** **D10/91**

(58) **Field of Classification Search** D10/88-91;
177/25.13-25.18, 177-182, 211-214, 210 R,
177/210 C, 210 GM, 210 FP, 210 PP, 210 EM,
177/148, 236-245, DIG. 3

See application file for complete search history.

(56) **References Cited**

U.S. PATENT DOCUMENTS

6,995,323 B2 * 2/2006 Kunzi et al. 177/25.13

* cited by examiner

Primary Examiner — Antoine D Davis

(74) *Attorney, Agent, or Firm* — Standley Law Group LLP

(57) **CLAIM**

The ornamental design for a weighing scale body, as shown
and described above.

DESCRIPTION

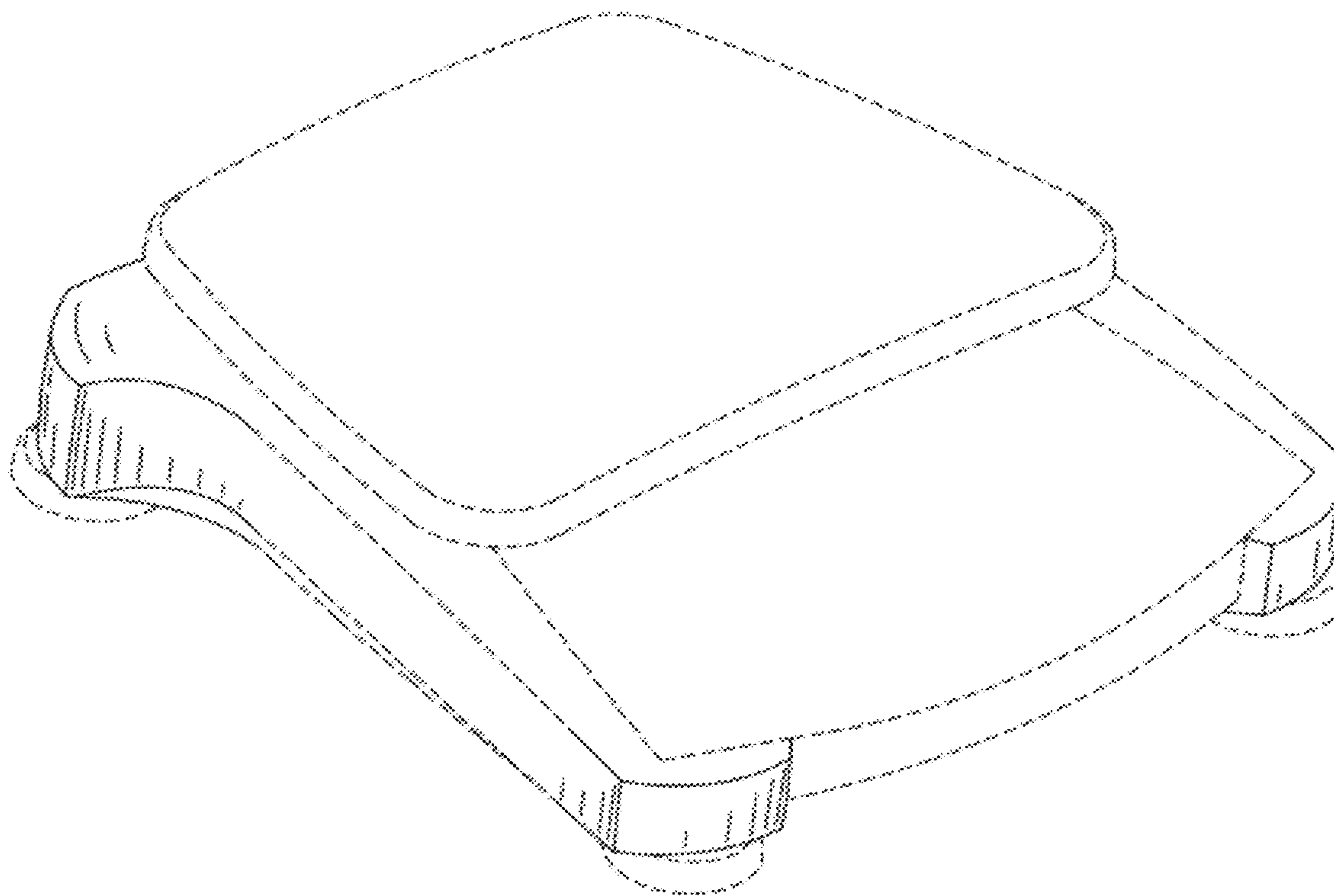
FIG. 1 is a front-left perspective view of a weighing scale
body showing our new design; and,

FIG. 2 is a top plan view of the embodiment of FIG. 1.

The bottom of the weighing scale body forms no part of the
claimed design.

The broken line portions of the drawing figures are included
to show unclaimed subject matter only and form no part of the
claimed design.

1 Claim, 2 Drawing Sheets



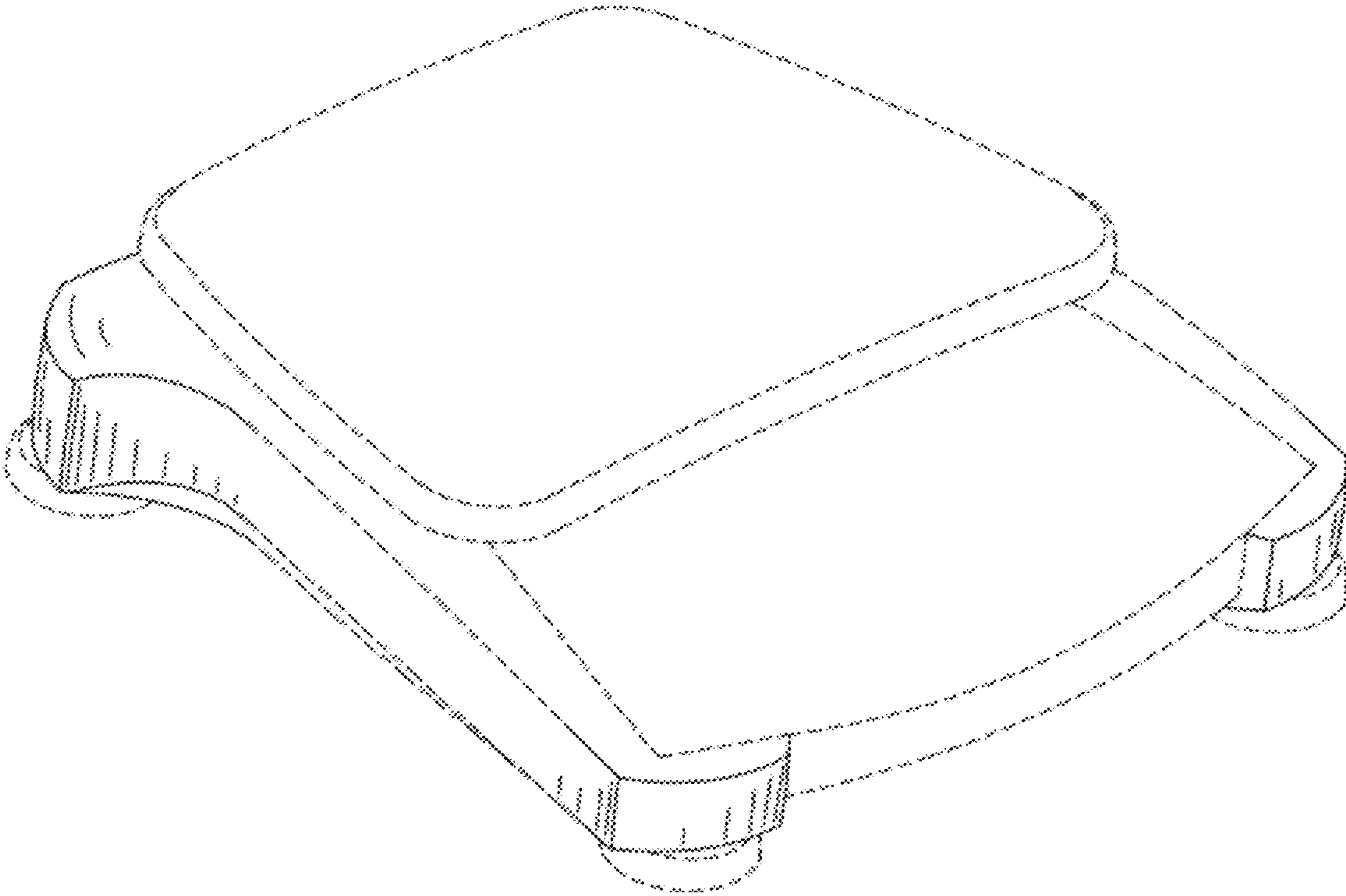


FIG-1

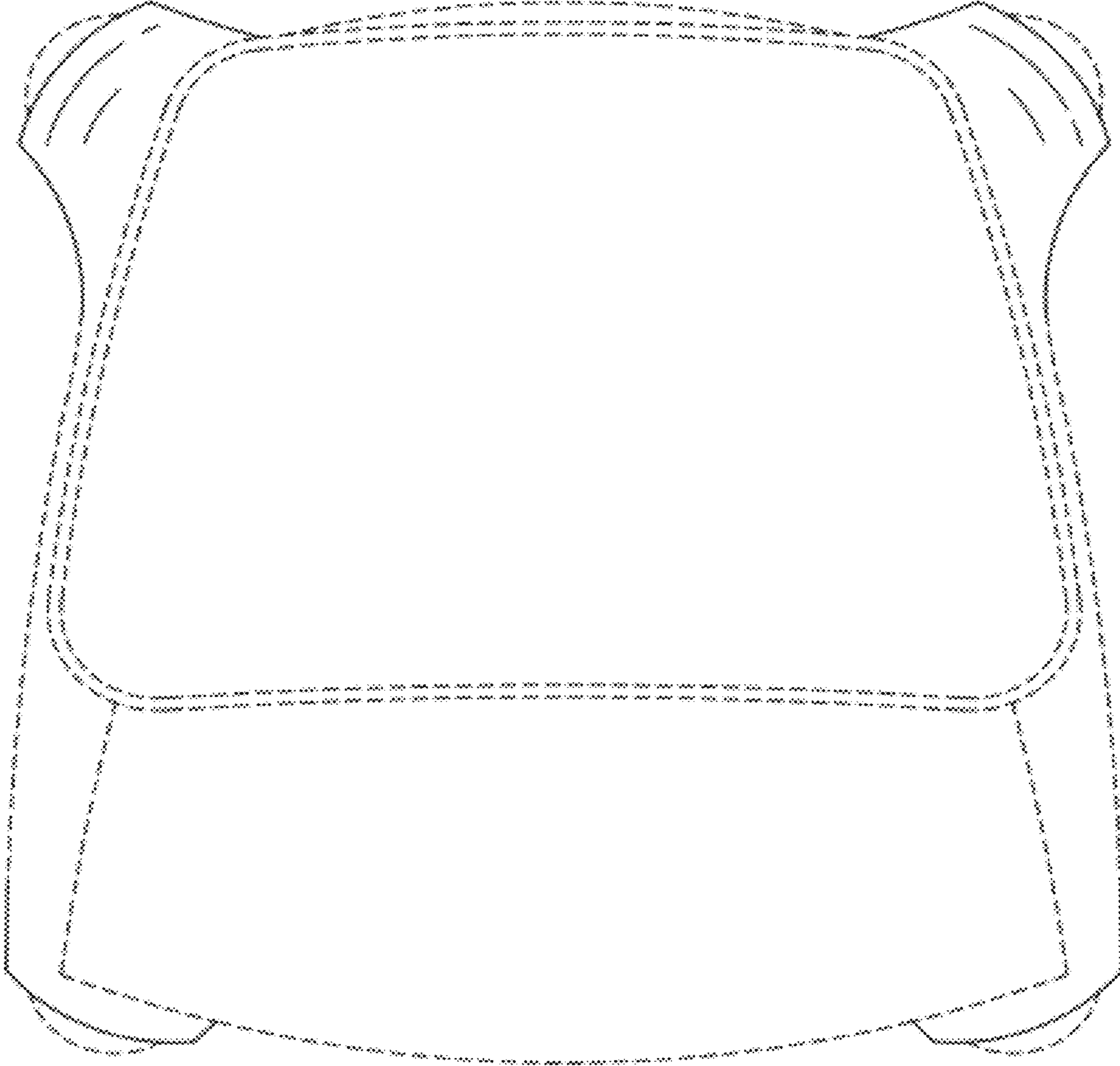


FIG-2