



US00D670589S

(12) **United States Design Patent**
Yamada

(10) **Patent No.:** **US D670,589 S**
(45) **Date of Patent:** **** Nov. 13, 2012**

(54) **SENSOR TRANSMITTER FOR MEASURING AIR PRESSURE OF A TIRE**

(75) Inventor: **Hirohisa Yamada**, Yamagata (JP)

(73) Assignee: **Pacific Industrial Co., Ltd.**, Gifu-ken (JP)

(**) Term: **14 Years**

(21) Appl. No.: **29/409,932**

(22) Filed: **Dec. 30, 2011**

Related U.S. Application Data

(62) Division of application No. 29/374,340, filed on Jul. 29, 2011, now Pat. No. Des. 655,635.

(30) **Foreign Application Priority Data**

Mar. 30, 2011 (JP) 2011-007243
Mar. 30, 2011 (JP) 2011-007244
Mar. 30, 2011 (JP) 2011-007245

(51) **LOC (9) Cl.** **10-04**

(52) **U.S. Cl.** **D10/86**

(58) **Field of Classification Search** D10/86;
73/732, 744, 742, 717, 741, 146.3, 146.8
See application file for complete search history.

(56) **References Cited**

U.S. PATENT DOCUMENTS

2007/0186637 A1* 8/2007 Blossfeld 73/146.8
2007/0295076 A1* 12/2007 Blossfeld et al. 73/146.8
2008/0250852 A1* 10/2008 Capdepon et al. 73/146.8
2008/0257028 A1* 10/2008 Liao 73/146.8
2008/0289406 A1* 11/2008 Benatti et al. 73/146.3
2010/0024539 A1* 2/2010 Hamm et al. 73/146.5

2010/0064792 A1* 3/2010 Chuang et al. 73/146.8
2010/0319447 A1* 12/2010 Uh et al. 73/146.8
2011/0209537 A1* 9/2011 Zhang 73/146.8
2012/0118057 A1* 5/2012 Rigney et al. 73/146.8

OTHER PUBLICATIONS

Website: <http://techon.nikkeibp.cc.jp/article/WORD/20060418/116228/>, posted by Nikkei Business Publications on Mar. 27, 2006.

* cited by examiner

Primary Examiner — Antoine D Davis

(74) *Attorney, Agent, or Firm* — Faegre Baker Daniels LLP

(57) **CLAIM**

The ornamental design for a sensor transmitter for measuring air pressure of a tire, as shown and described.

DESCRIPTION

FIG. 1 is a front, top and right side perspective view of an embodiment of a sensor transmitter for measuring air pressure of a tire showing my new design;

FIG. 2 is a front, bottom, and left side perspective view thereof;

FIG. 3 is a front view thereof;

FIG. 4 is a top plan view thereof;

FIG. 5 is a bottom plan view thereof;

FIG. 6 is a right side elevational view thereof; and,

FIG. 7 is a left side elevational view thereof.

The features shown in broken lines in the drawings depict environmental subject matter only and form no part of the claim design. The dot-dashed lines denote the boundary of the claim, and form no part of the claimed design.

1 Claim, 6 Drawing Sheets

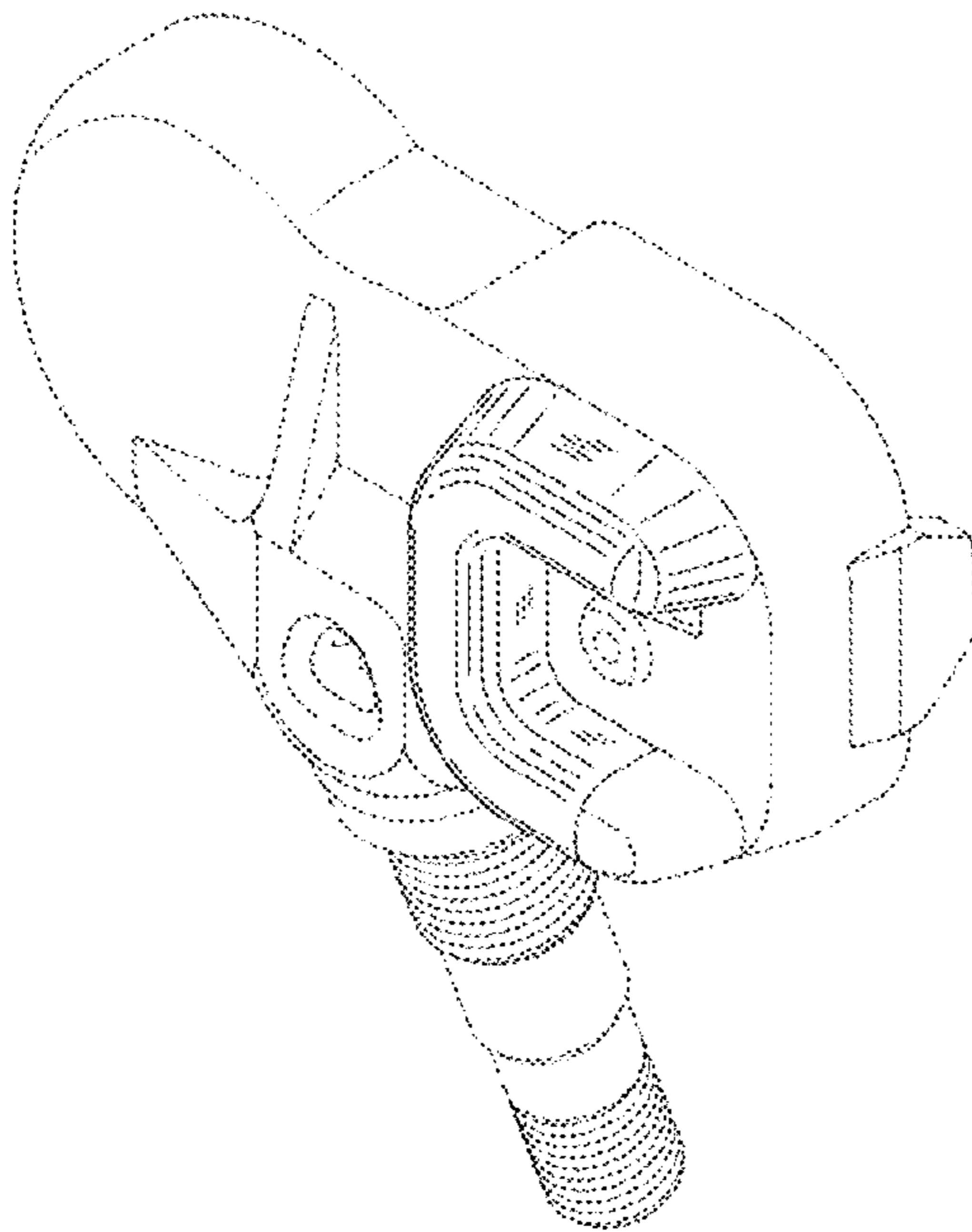


Fig. 1

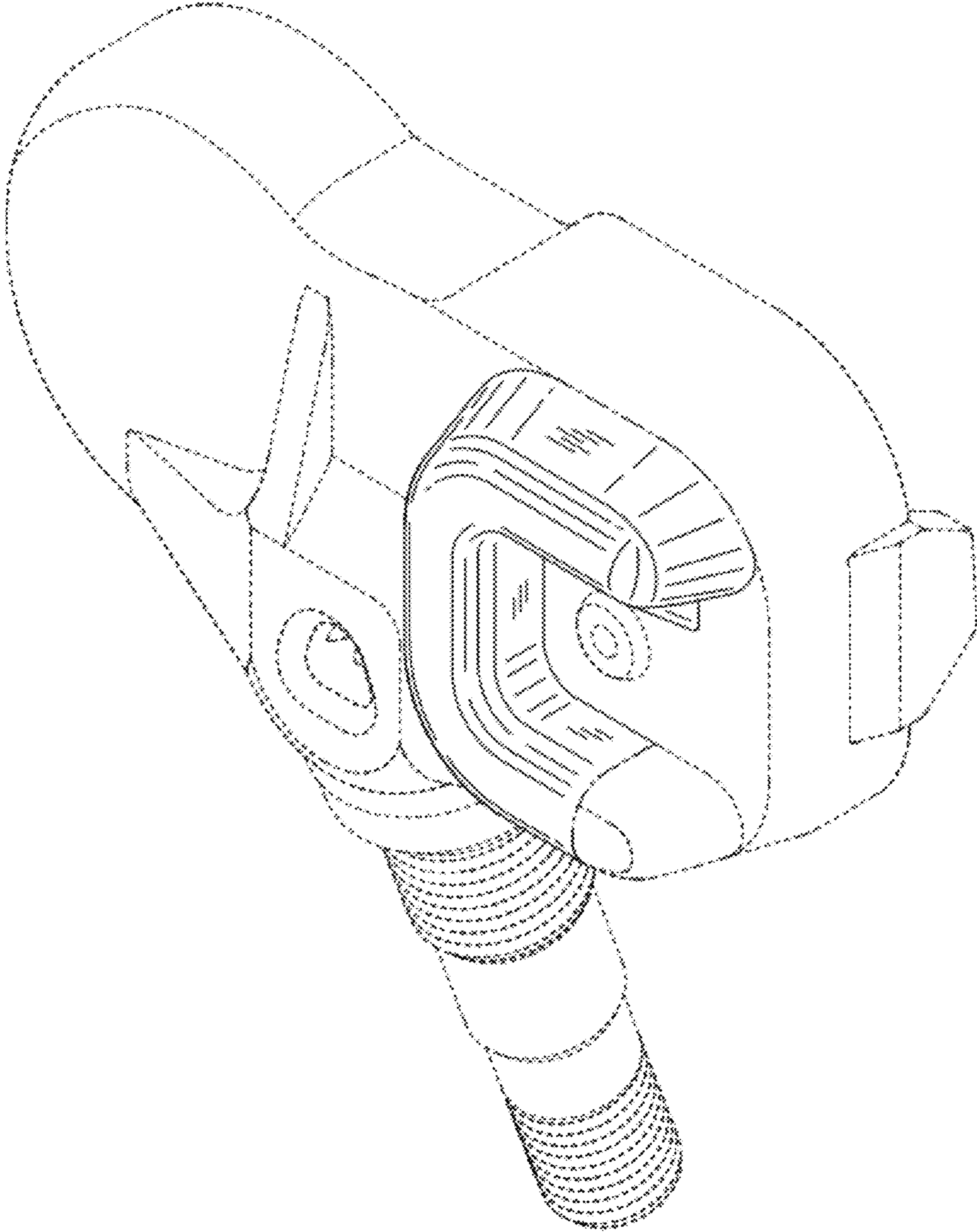


Fig. 2

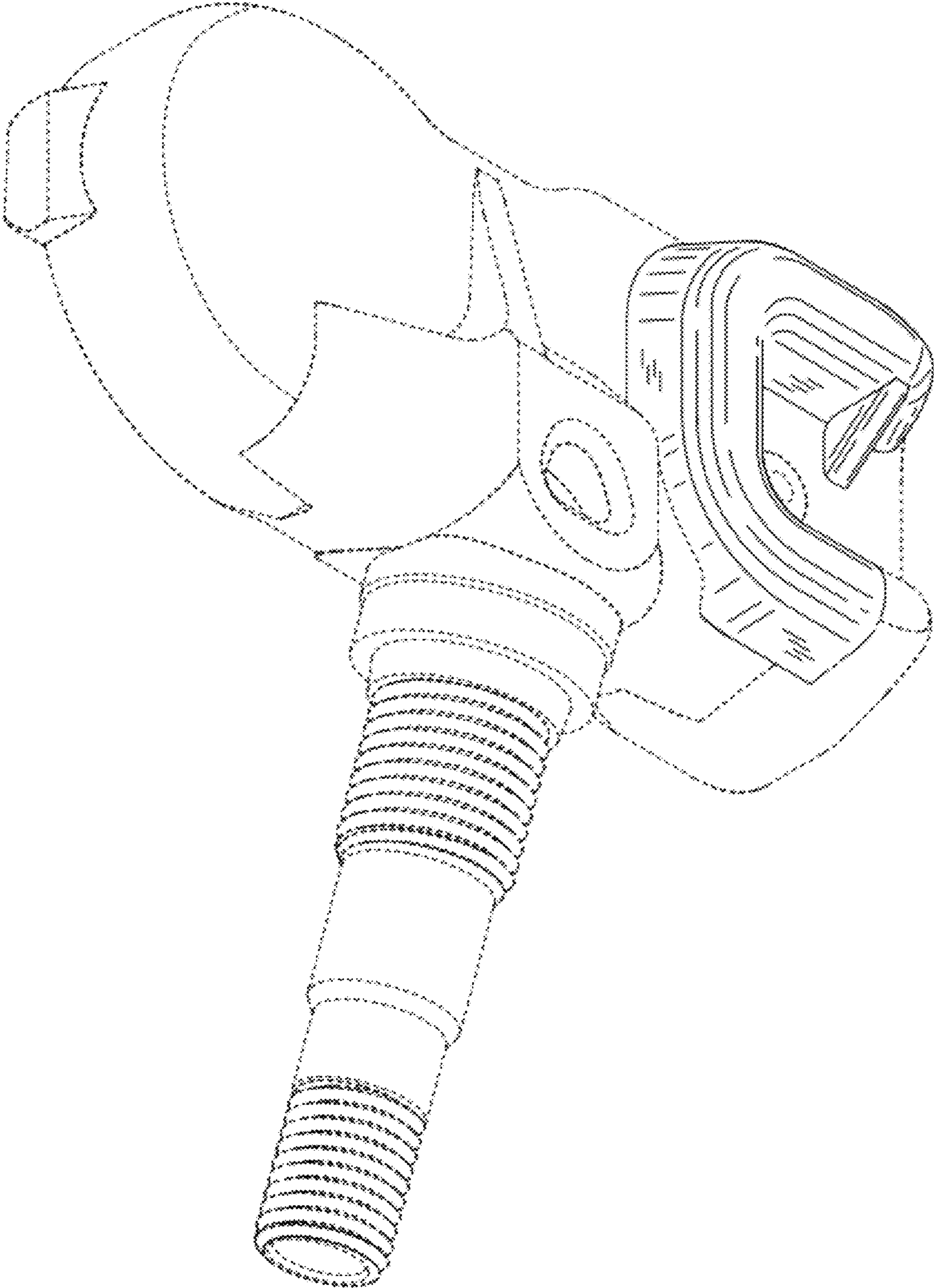


Fig. 3

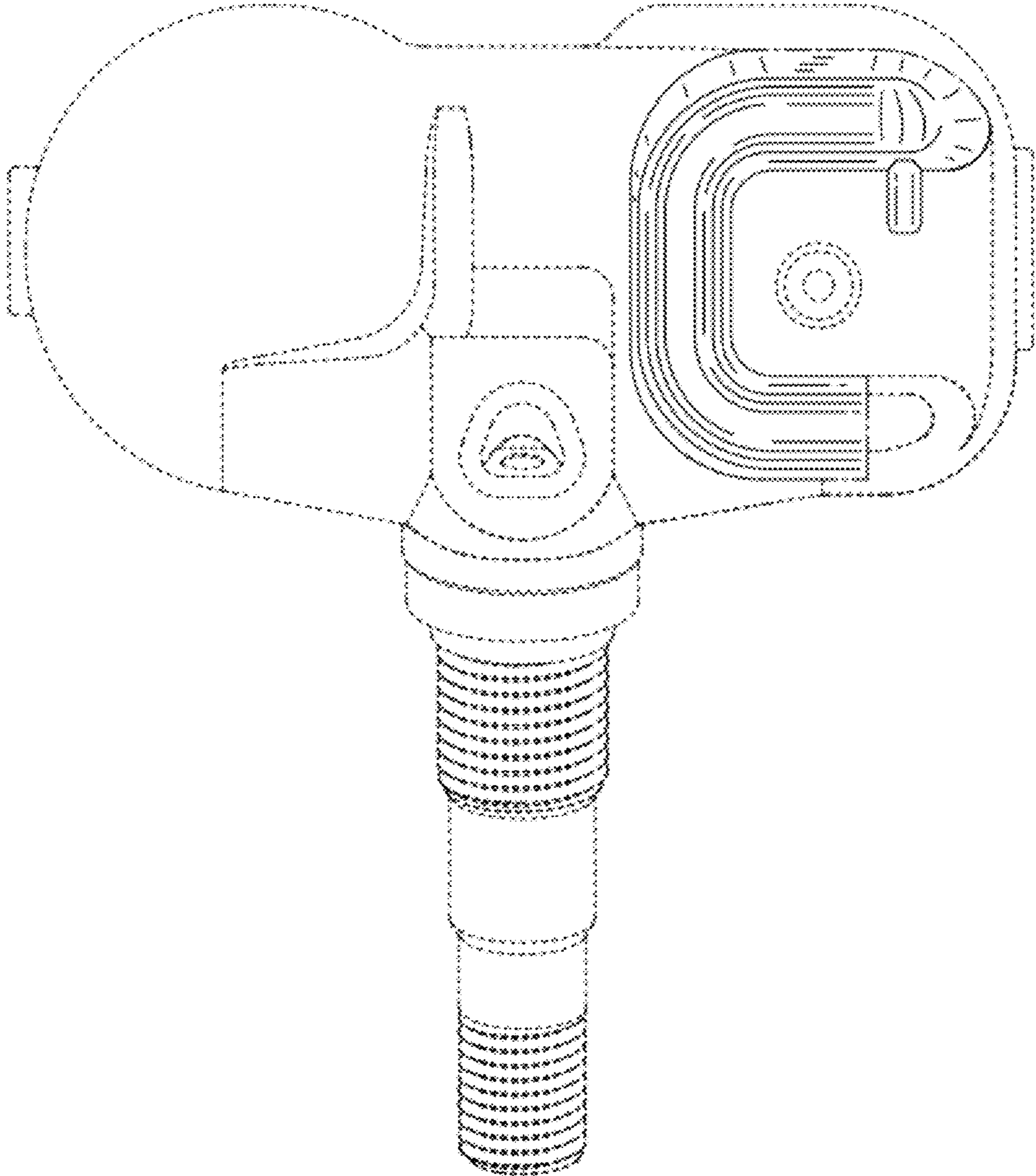


Fig. 4

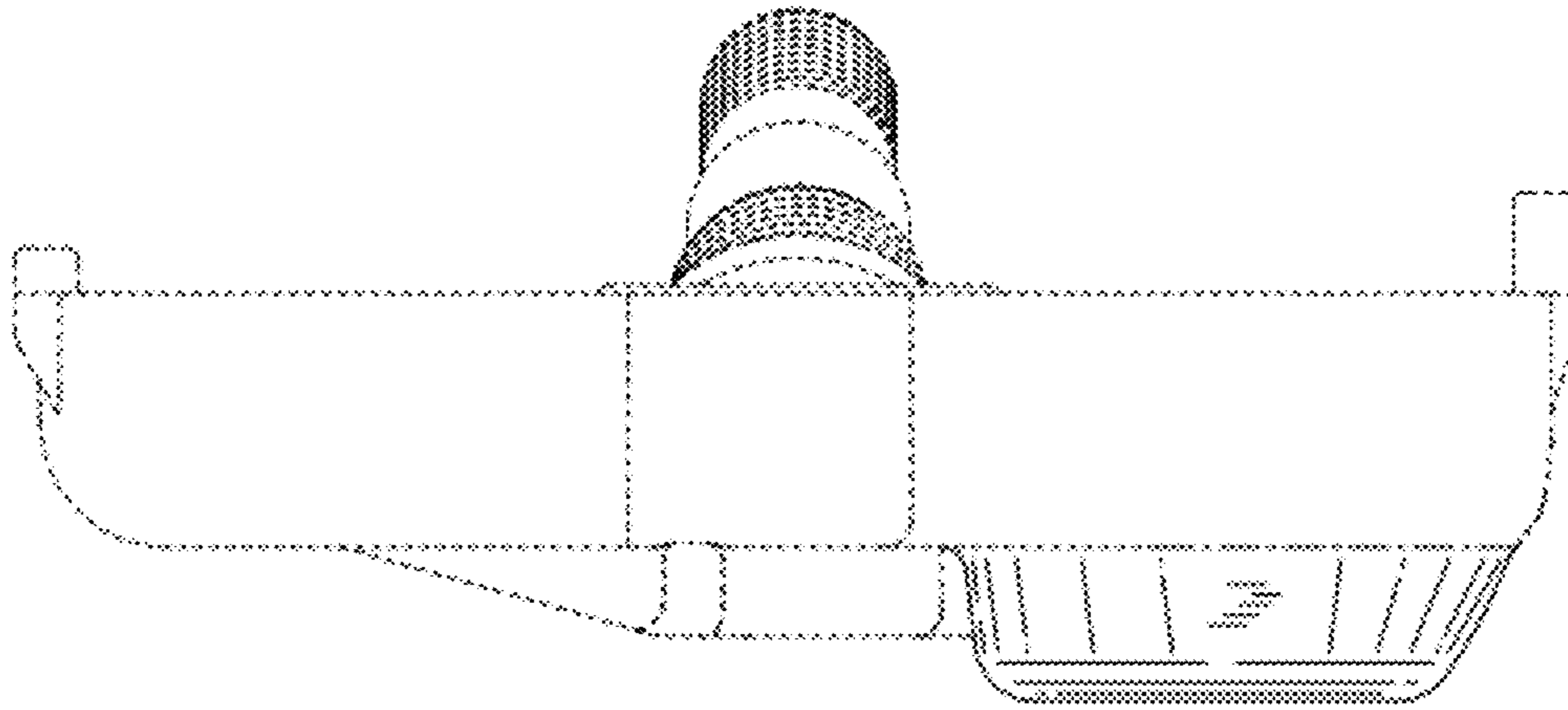


Fig. 5

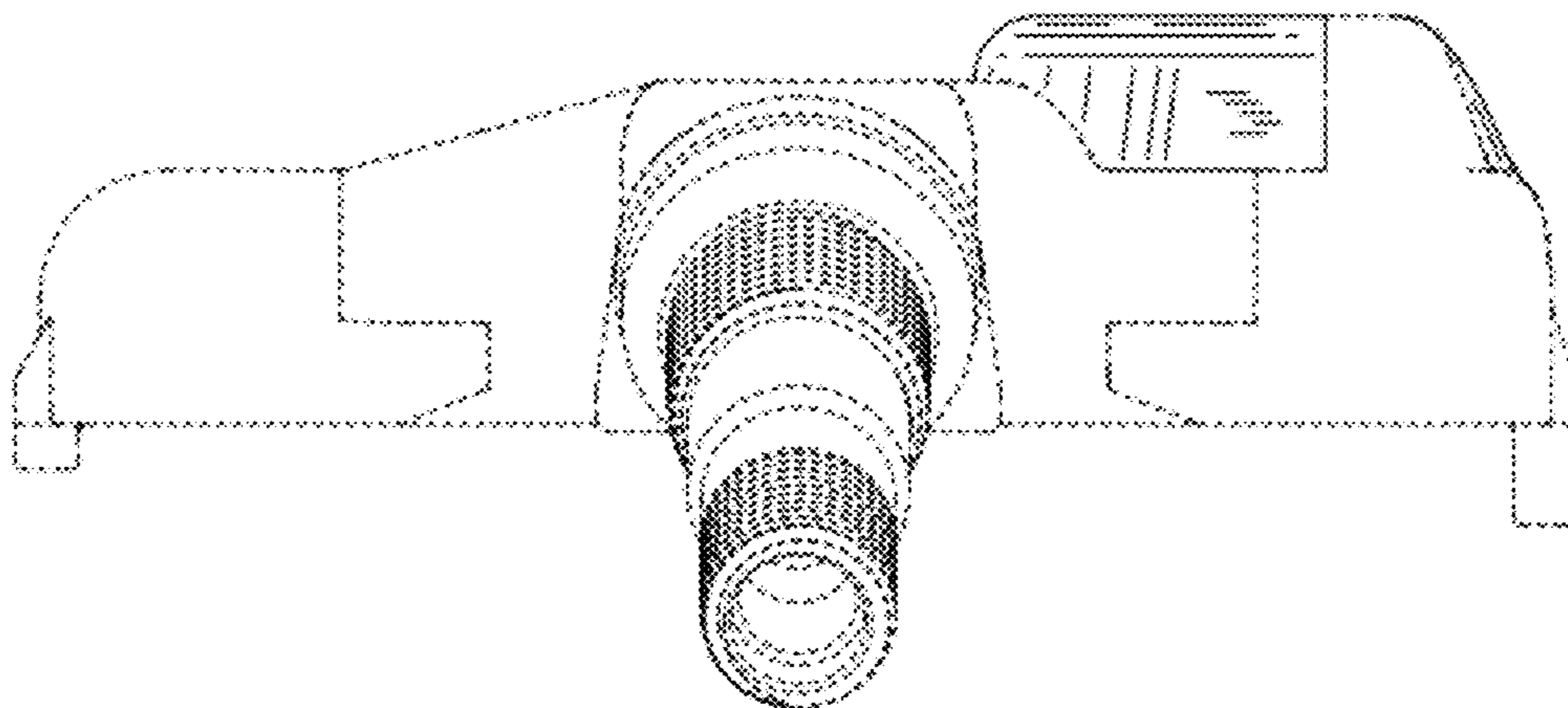


Fig. 6

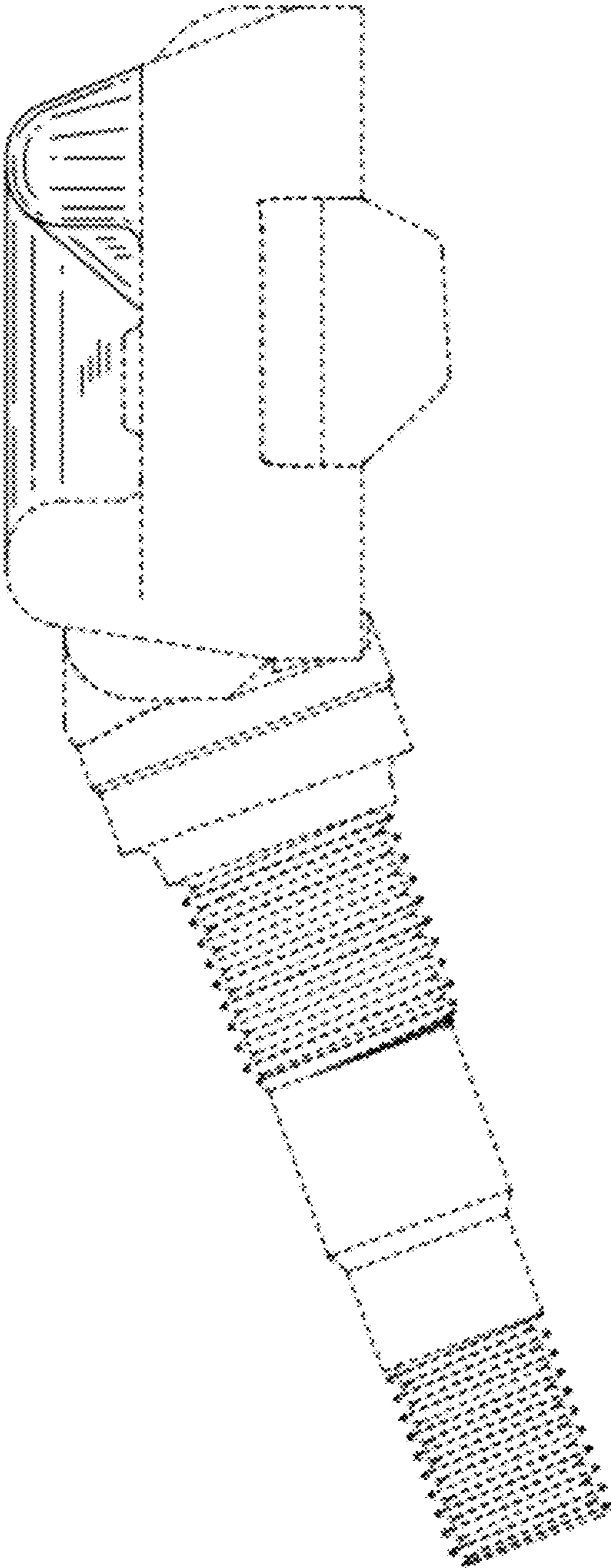


Fig. 7

