



US00D670587S

(12) **United States Design Patent**
Fitzpatrick et al.

(10) **Patent No.:** **US D670,587 S**

(45) **Date of Patent:** **** Nov. 13, 2012**

(54) **ANALYSIS DEVICE**

(75) Inventors: **Maura Fitzpatrick**, North Chelmsford, MA (US); **Stephen McLaughlin**, Andover, MA (US); **Gregory H. Vander Rhodes**, Melrose, MA (US)

(73) Assignee: **Thermo Scientific Portable Analytical Instruments Inc.**, Tewksbury, MA (US)

(**) Term: **14 Years**

(21) Appl. No.: **29/393,237**

(22) Filed: **Jun. 1, 2011**

(51) **LOC (9) Cl.** **10-04**

(52) **U.S. Cl.** **D10/81**

(58) **Field of Classification Search** D10/81;
250/221, 339.11; 356/72, 73, 301, 318; 526/59,
526/60, 64; 600/473, 476; 702/19, 40

See application file for complete search history.

(56) **References Cited**

U.S. PATENT DOCUMENTS

D543,878 S * 6/2007 Castillo et al. D10/81
D567,125 S * 4/2008 Okabe et al. D10/81
7,636,157 B2 12/2009 Wang et al.

* cited by examiner

Primary Examiner — Antoine D Davis

(74) *Attorney, Agent, or Firm* — Gordon Stewart

(57) **CLAIM**

The ornamental design for an analysis device, substantially as shown and described.

DESCRIPTION

FIG. 1 shows a perspective view of the design.

FIG. 2 shows a right side view of the design.

FIG. 3 shows a left sideview of the design.

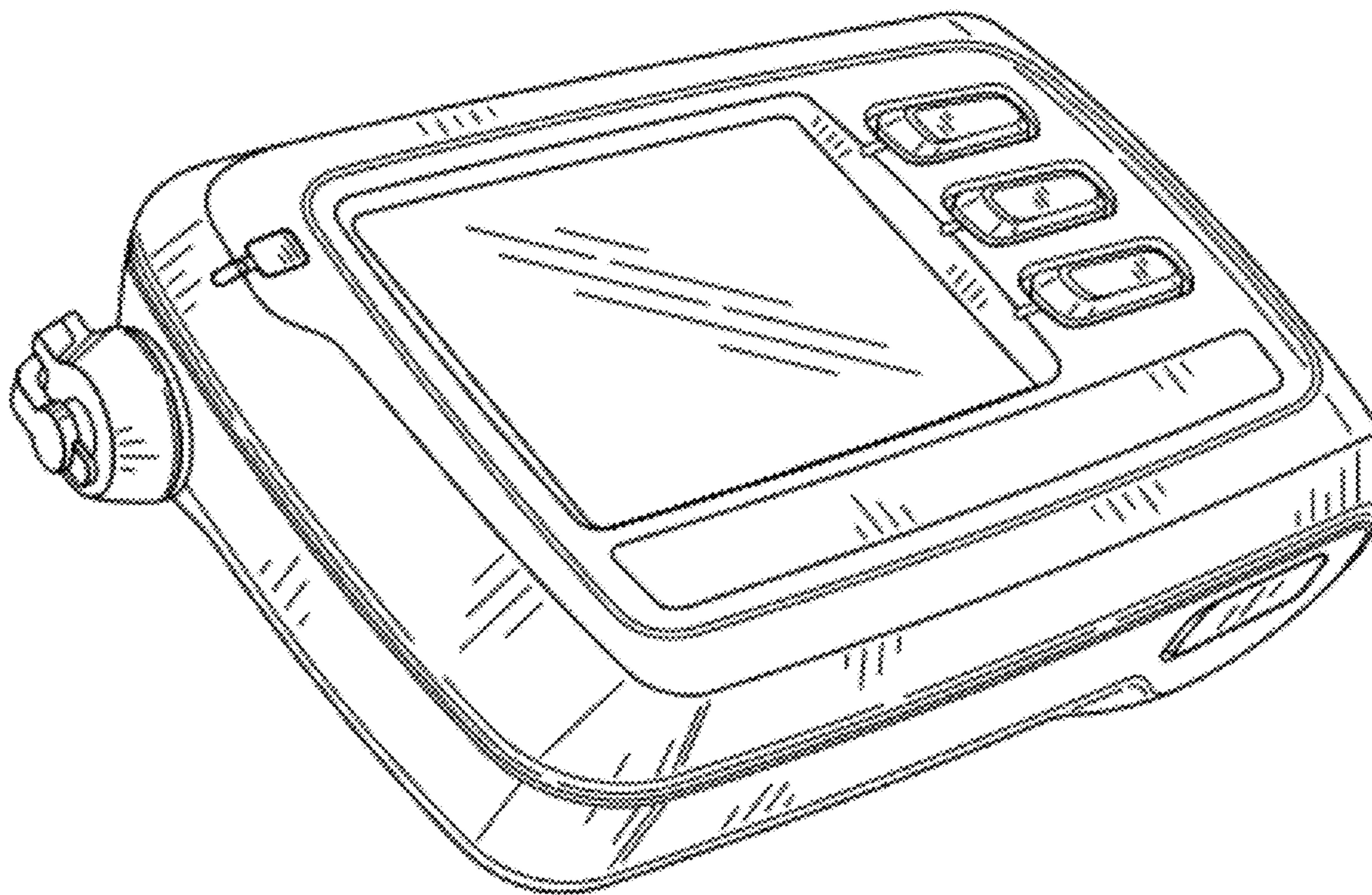
FIG. 4 shows a front view of the design.

FIG. 5 shows a rear view of the design.

FIG. 6 shows a top view of the design; and,

FIG. 7 shows a bottom view of the design.

1 Claim, 3 Drawing Sheets



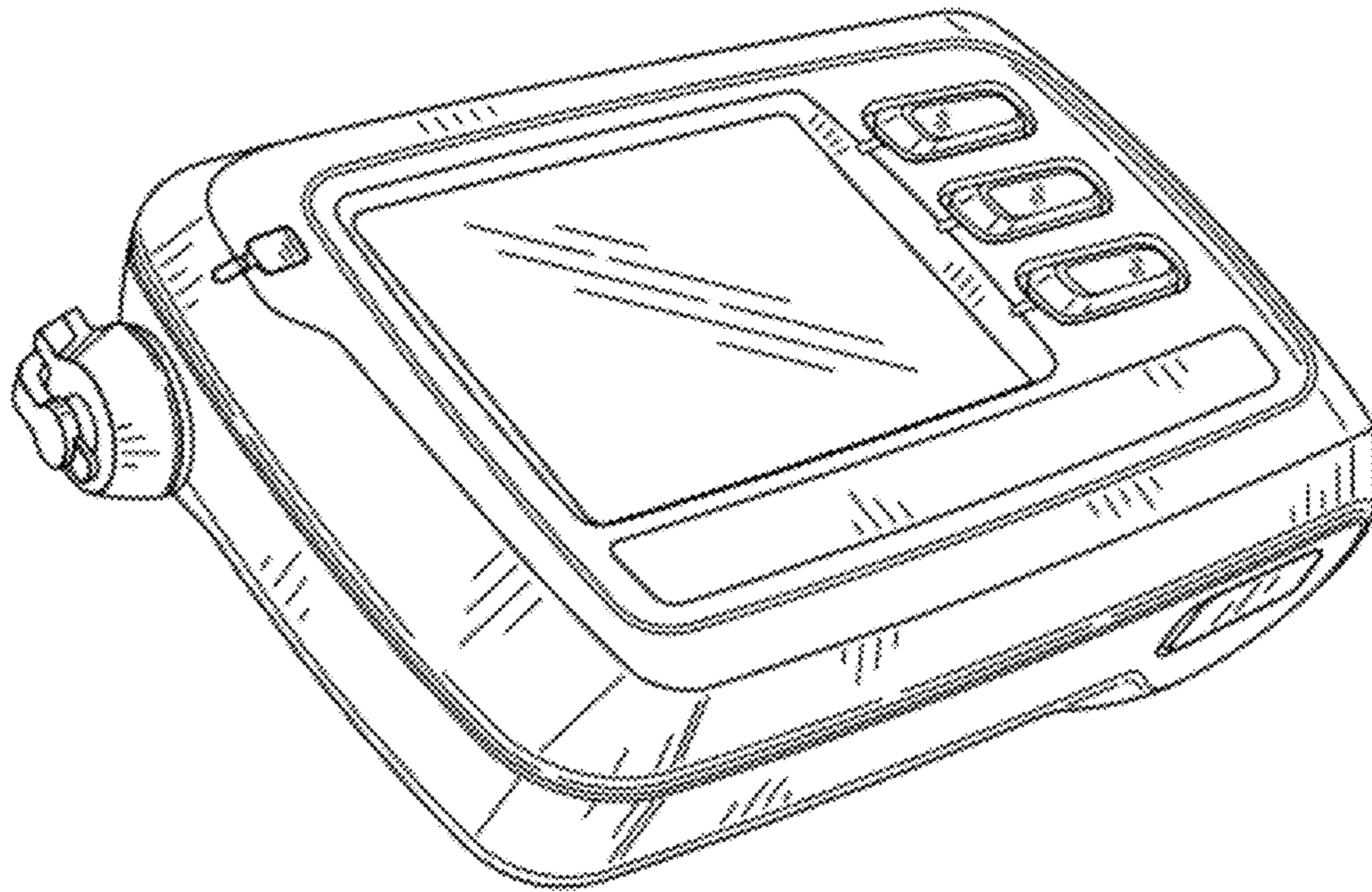


FIG. 1

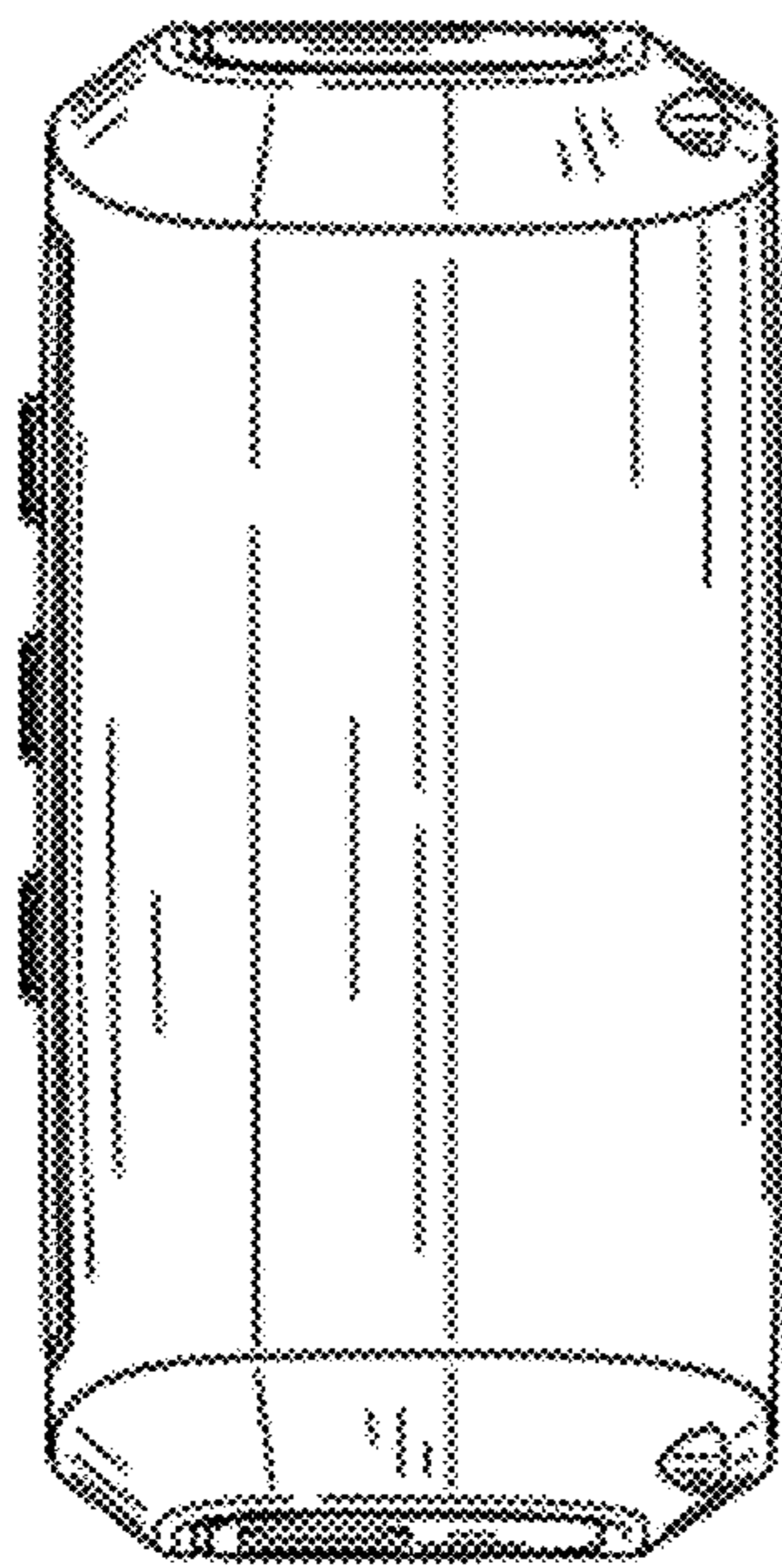


FIG. 2

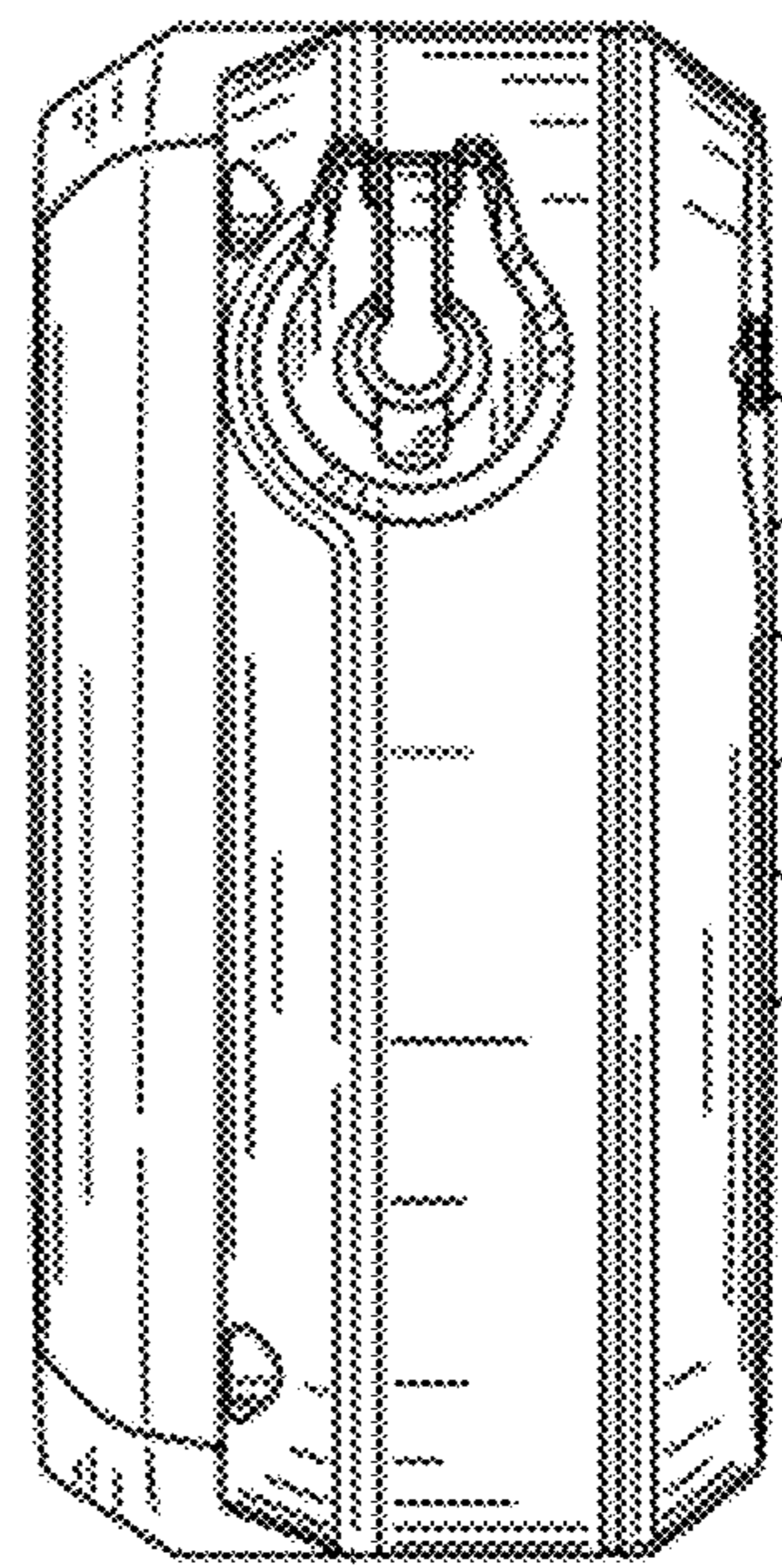


FIG. 3

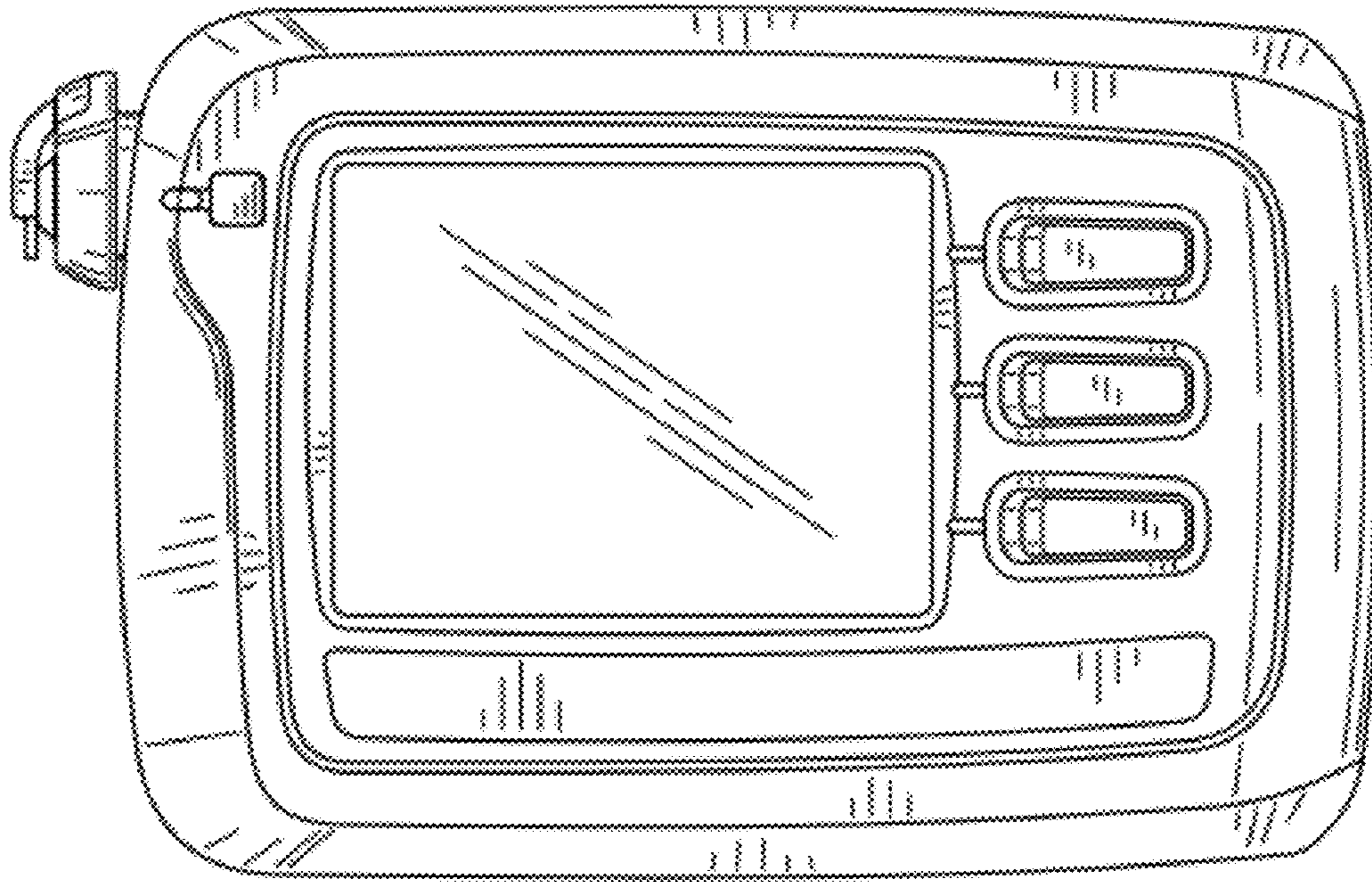


FIG. 4

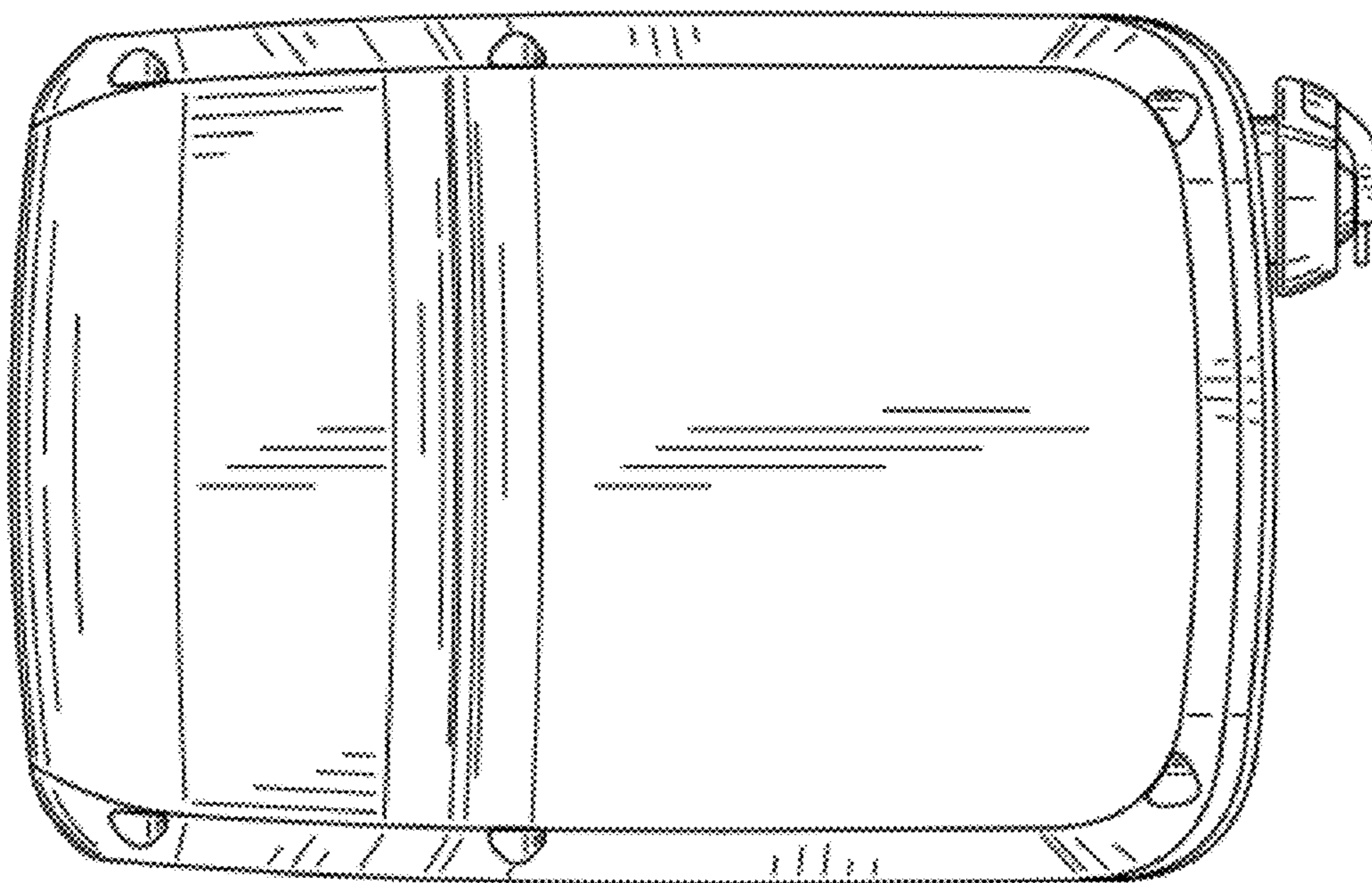


FIG. 5

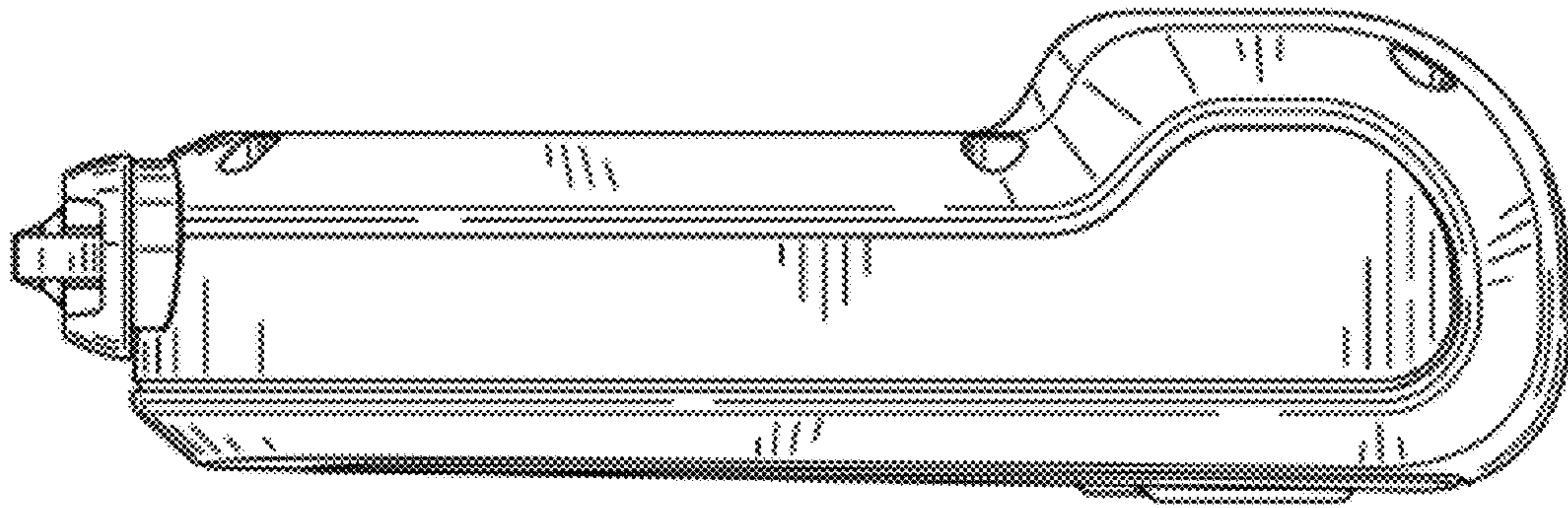


FIG. 6

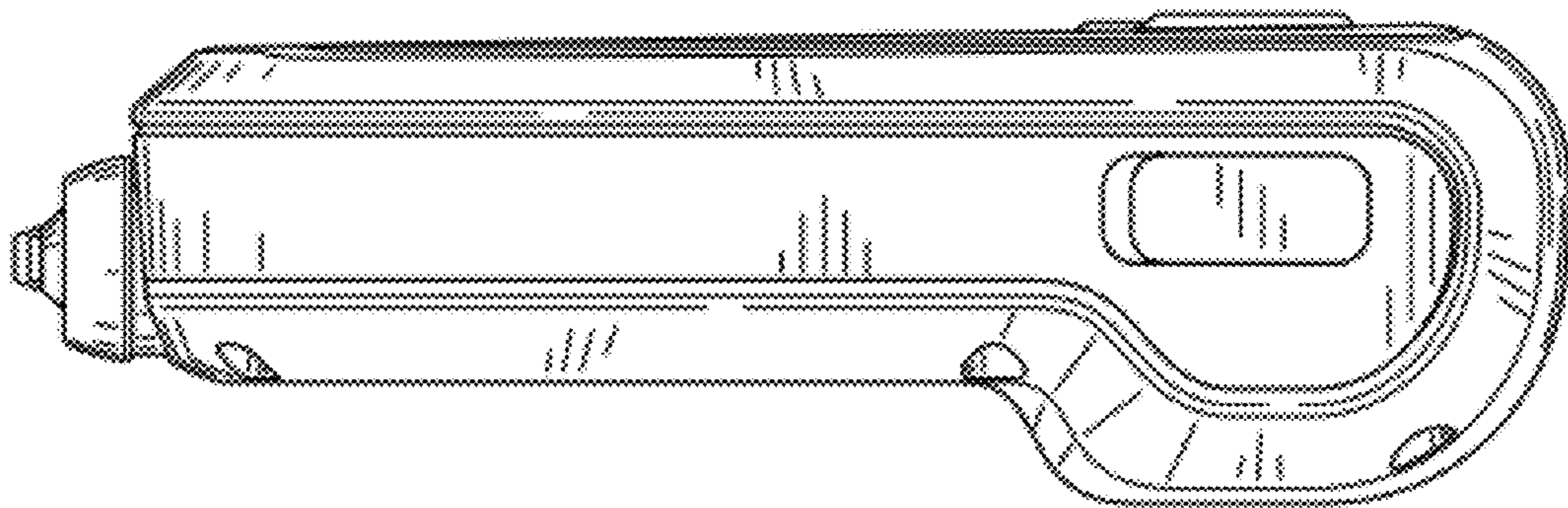


FIG. 7