



US00D670583S

(12) **United States Design Patent**  
**Shaanan**

(10) **Patent No.:** **US D670,583 S**

(45) **Date of Patent:** **\*\* Nov. 13, 2012**

(54) **TRACKER DEVICE**

(75) **Inventor:** **Gad Shaanan**, La Jolla, CA (US)

(73) **Assignee:** **QUALCOMM Incorporated**, San Diego, CA (US)

(\*\*) **Term:** **14 Years**

(21) **Appl. No.:** **29/409,282**

(22) **Filed:** **Dec. 21, 2011**

(51) **LOC (9) Cl.** ..... **10-04**

(52) **U.S. Cl.** ..... **D10/70**

(58) **Field of Classification Search** ..... D10/70;  
235/105; 377/5, 24.2, 26; 73/514.33, 514.34,  
73/510, 513, 527, 530; 702/155, 160, 176,  
702/78, 79, 82, 91, 92-95, 104, 116, 141,  
702/150, 151, 154, 127, 131, 182, 183, 189;  
324/522; 345/165, 156, 905; 600/437, 443,  
600/453, 459, 465, 479, 500, 502, 595, 485,  
600/481, 483

See application file for complete search history.

(56) **References Cited**

**U.S. PATENT DOCUMENTS**

7,468,036 B1 \* 12/2008 Rulkov et al. .... 600/485

7,547,282 B2 \* 6/2009 Lo et al. .... 600/459  
D637,506 S \* 5/2011 Toyoshima et al. .... D10/70  
2006/0281978 A1 \* 12/2006 Crucilla ..... 600/300  
2010/0064807 A1 \* 3/2010 Daumer et al. .... 73/510

\* cited by examiner

*Primary Examiner* — Antoine D Davis

(74) *Attorney, Agent, or Firm* — James T. Hagler

(57) **CLAIM**

The ornamental design for a tracker device, as shown and described.

**DESCRIPTION**

FIG. 1 is a right/top side perspective view of the tracker device design.

FIG. 2 is a top view of the tracker device design.

FIG. 3 is a bottom view of the tracker device design.

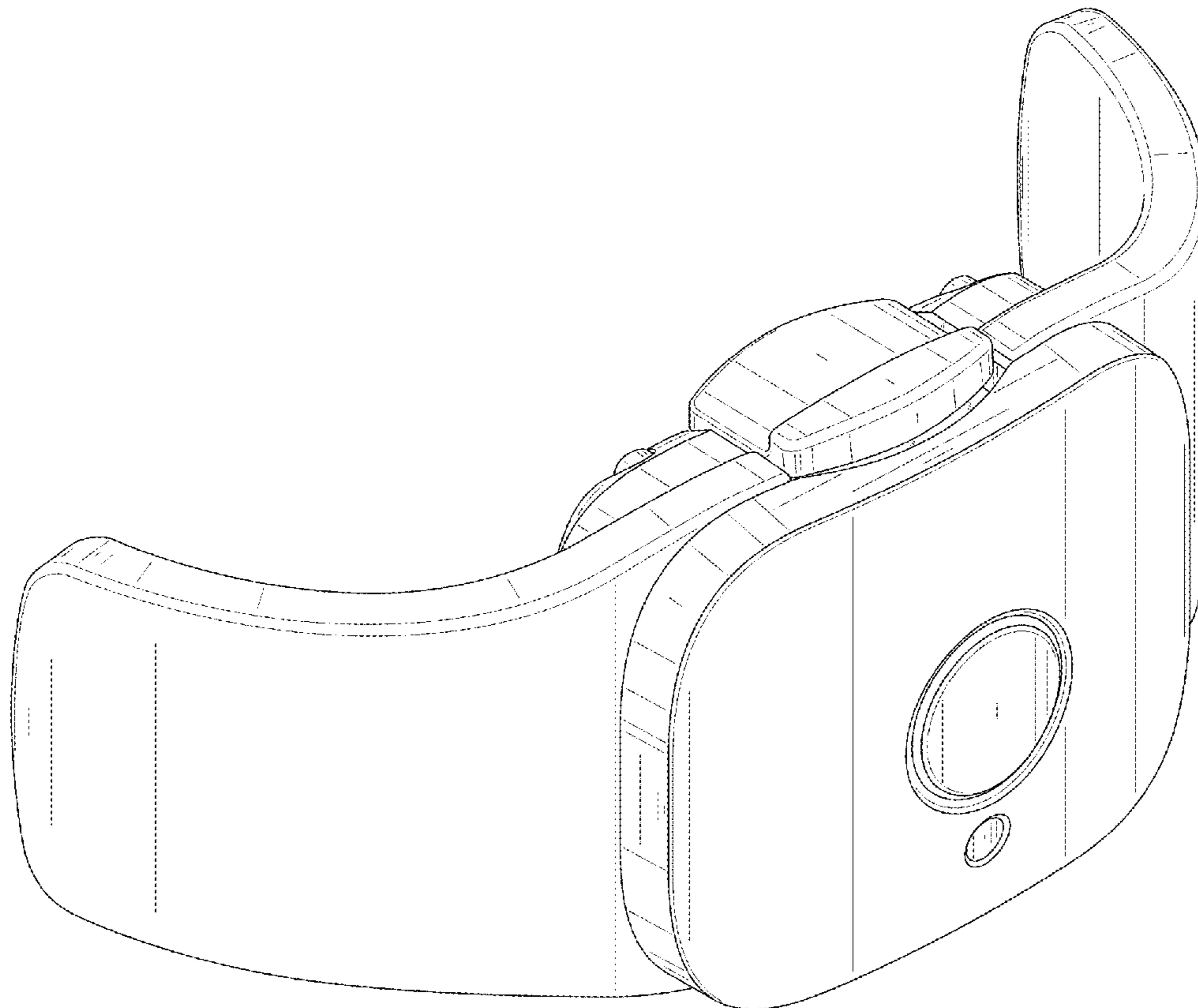
FIG. 4 is a front view of the tracker device design.

FIG. 5 is a back view of the tracker device design.

FIG. 6 is a right side view of the tracker device design; and,

FIG. 7 is a left side view of the tracker device design.

**1 Claim, 6 Drawing Sheets**



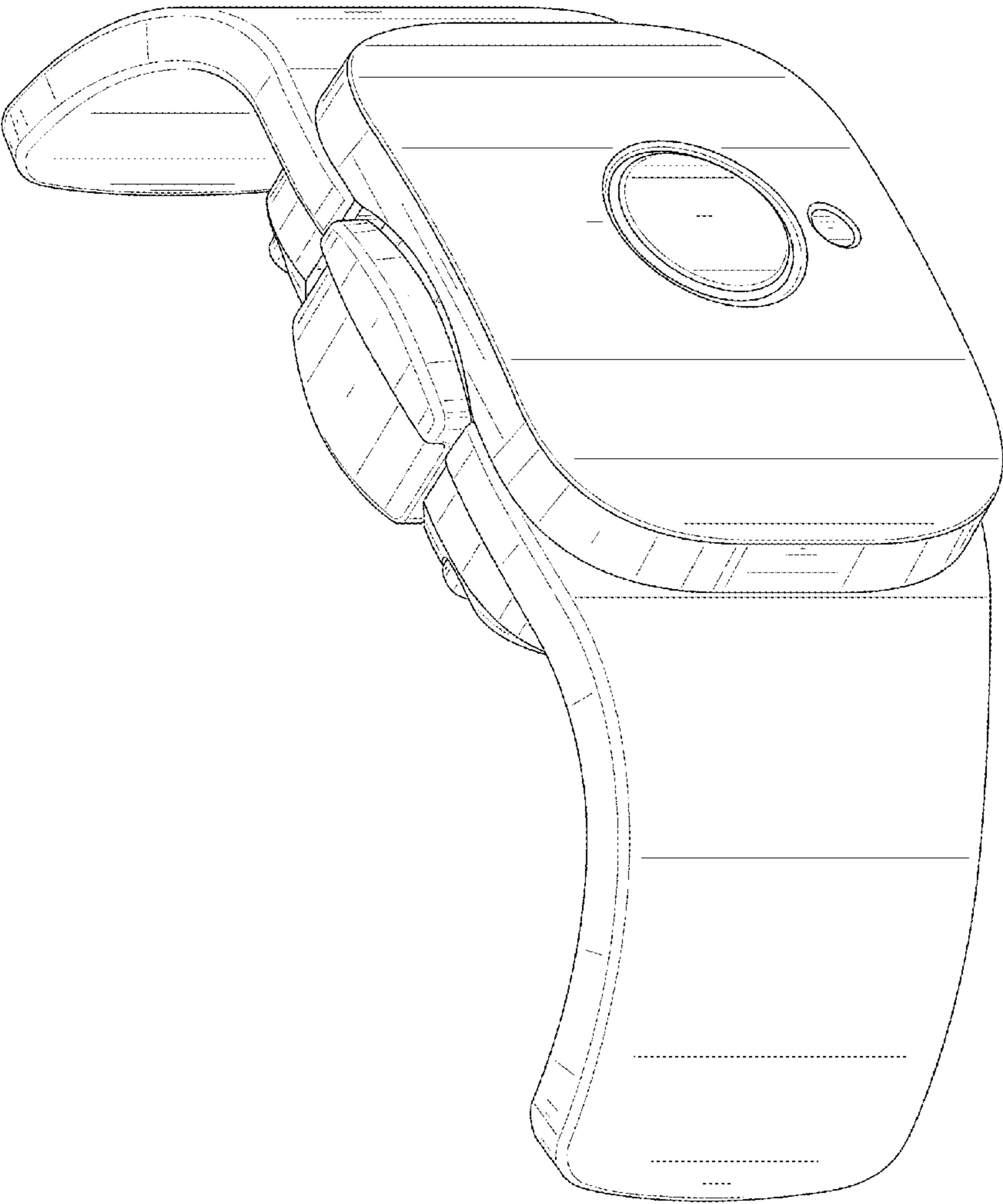


FIG. 1

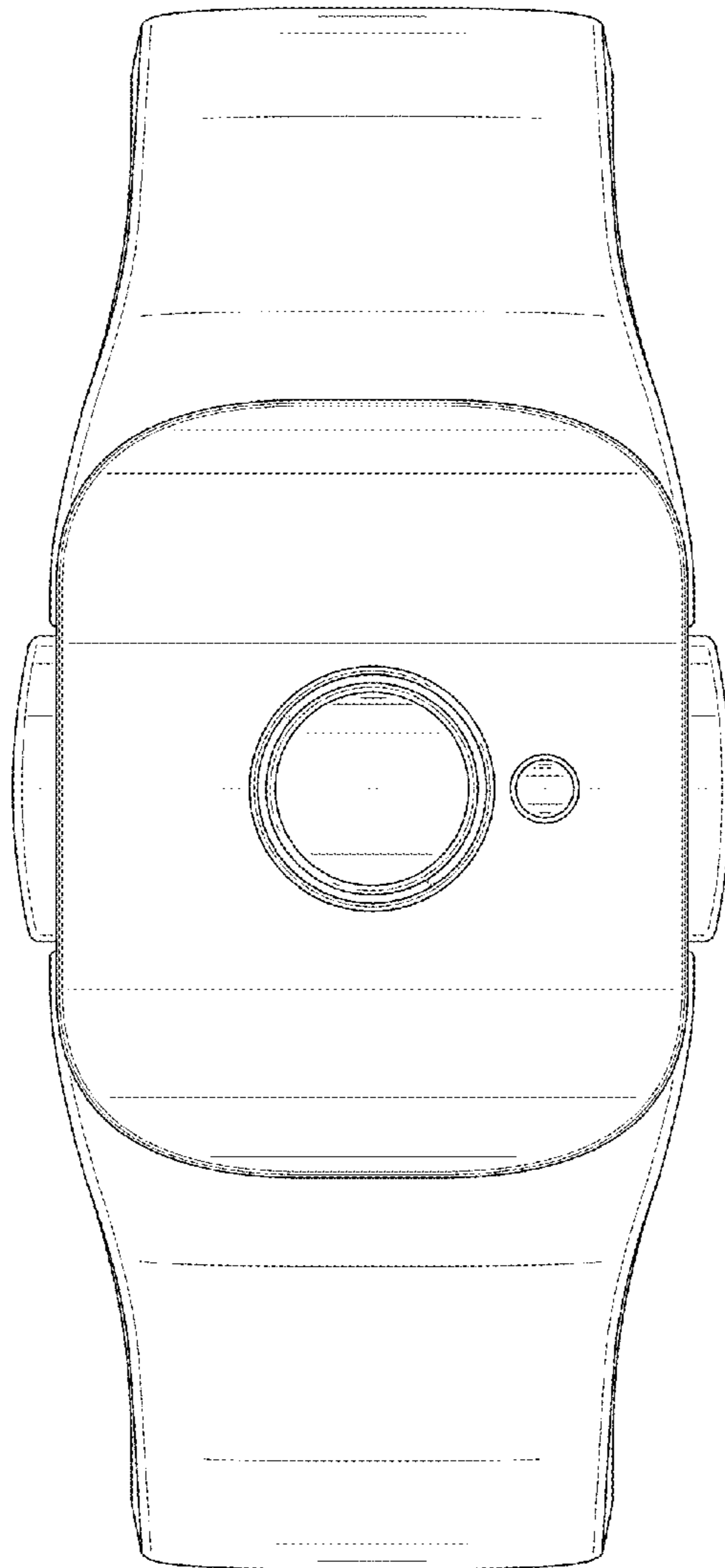


FIG. 2

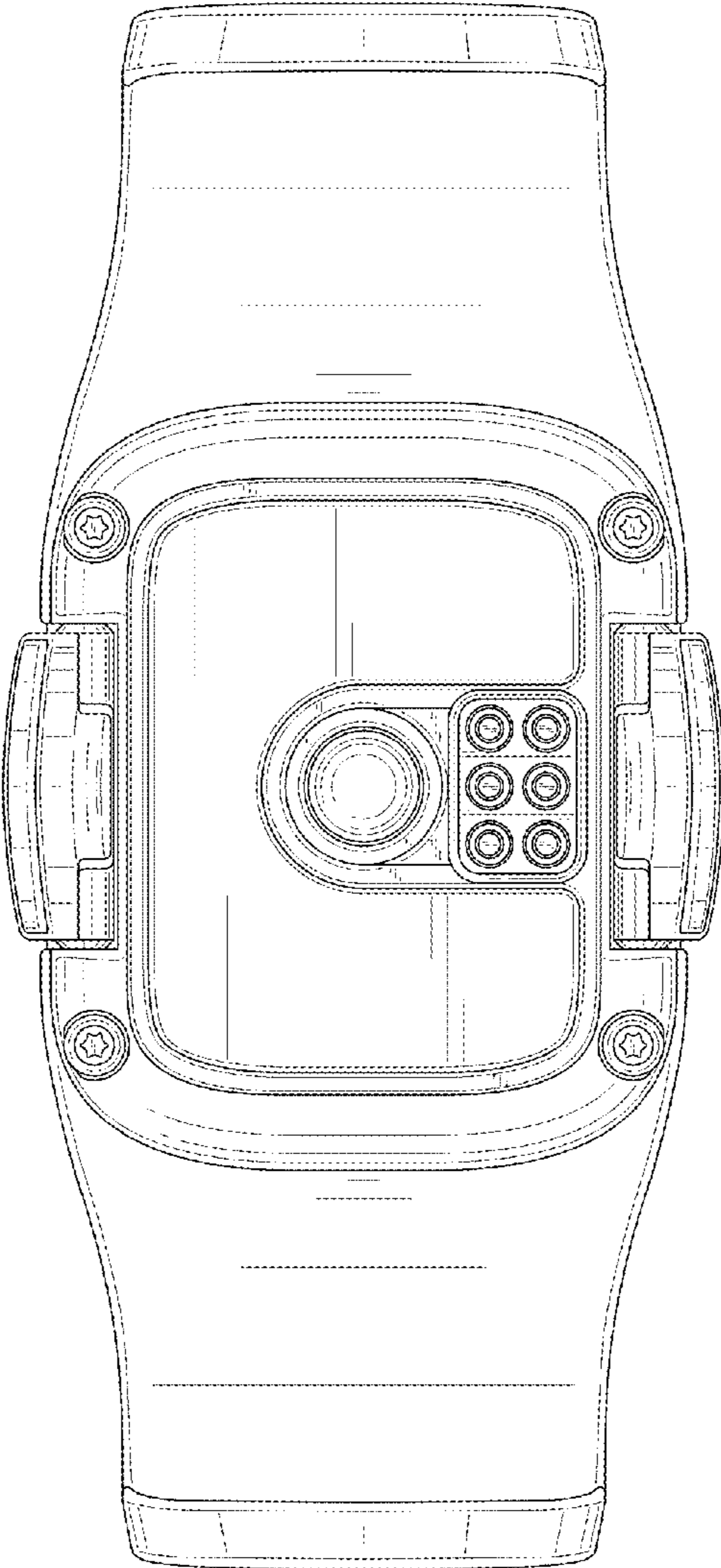


FIG. 3

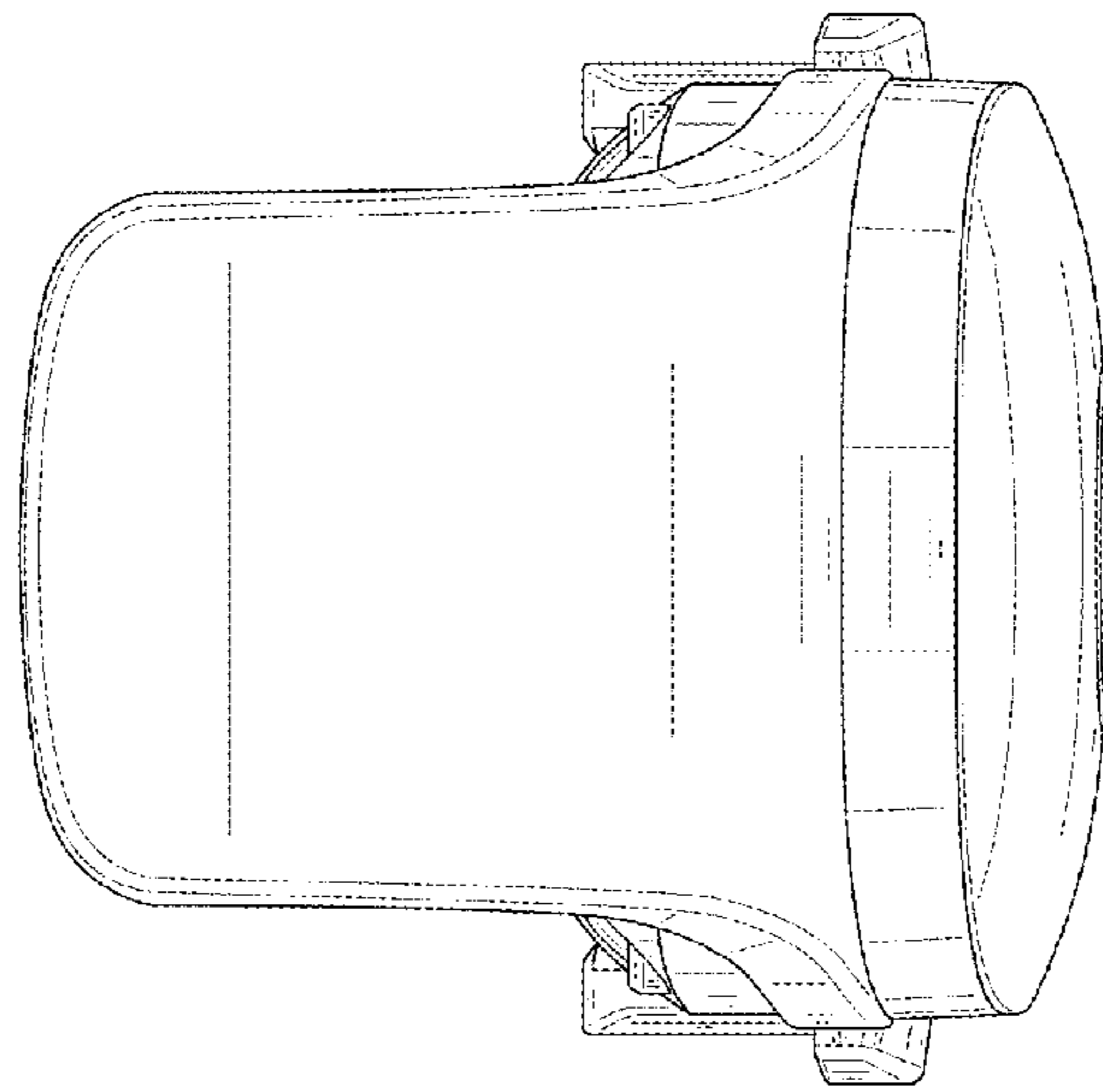


FIG. 4

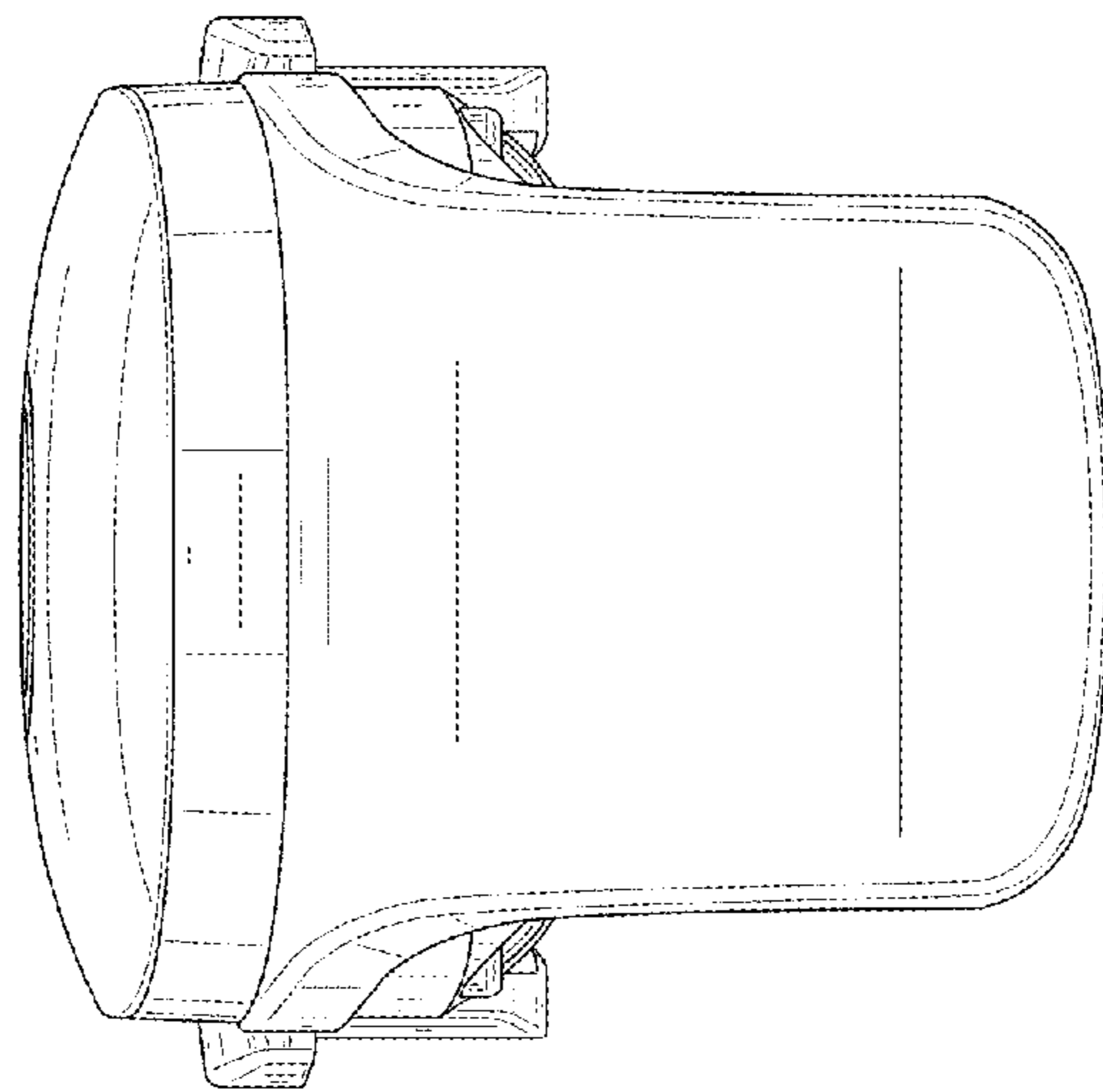


FIG. 5

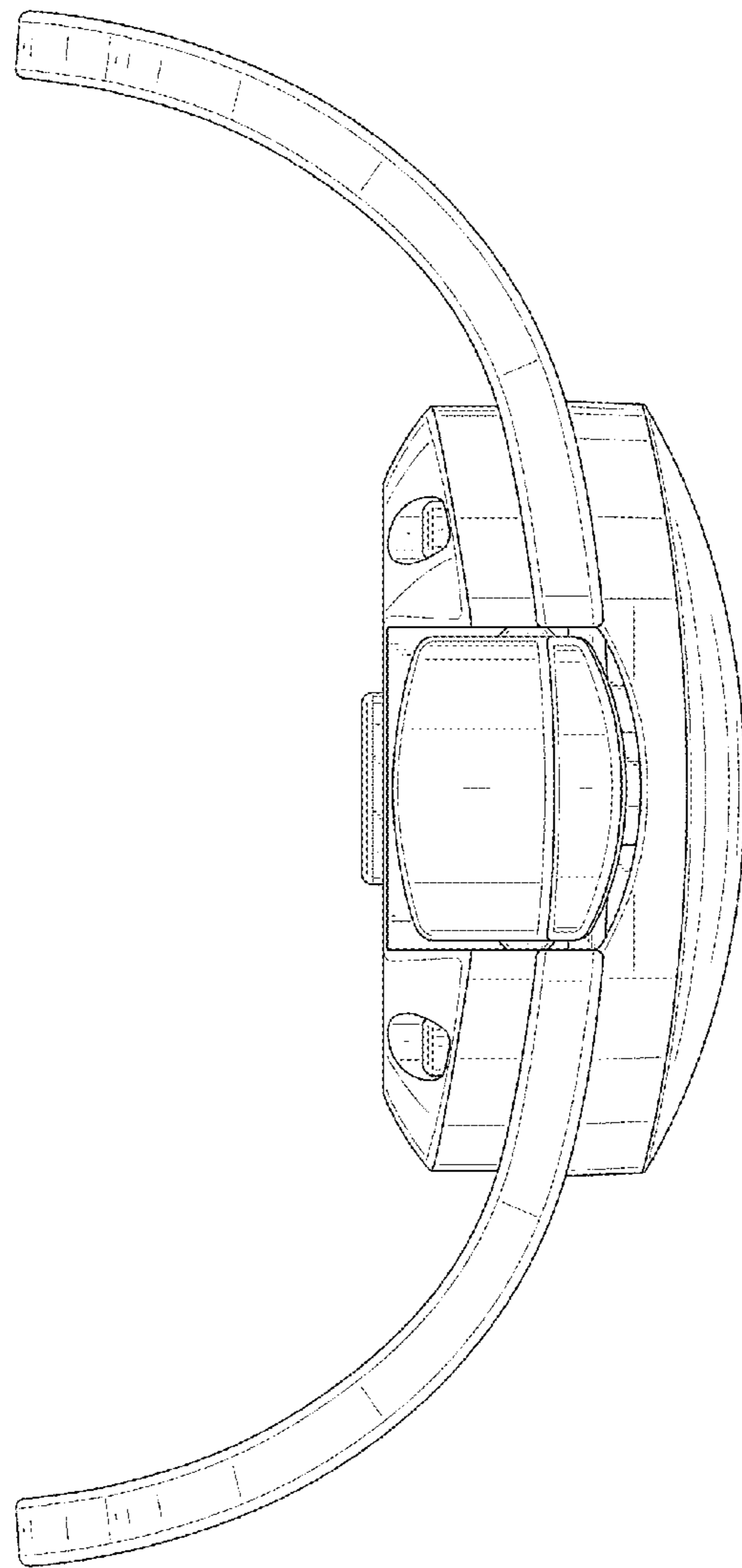


FIG. 6

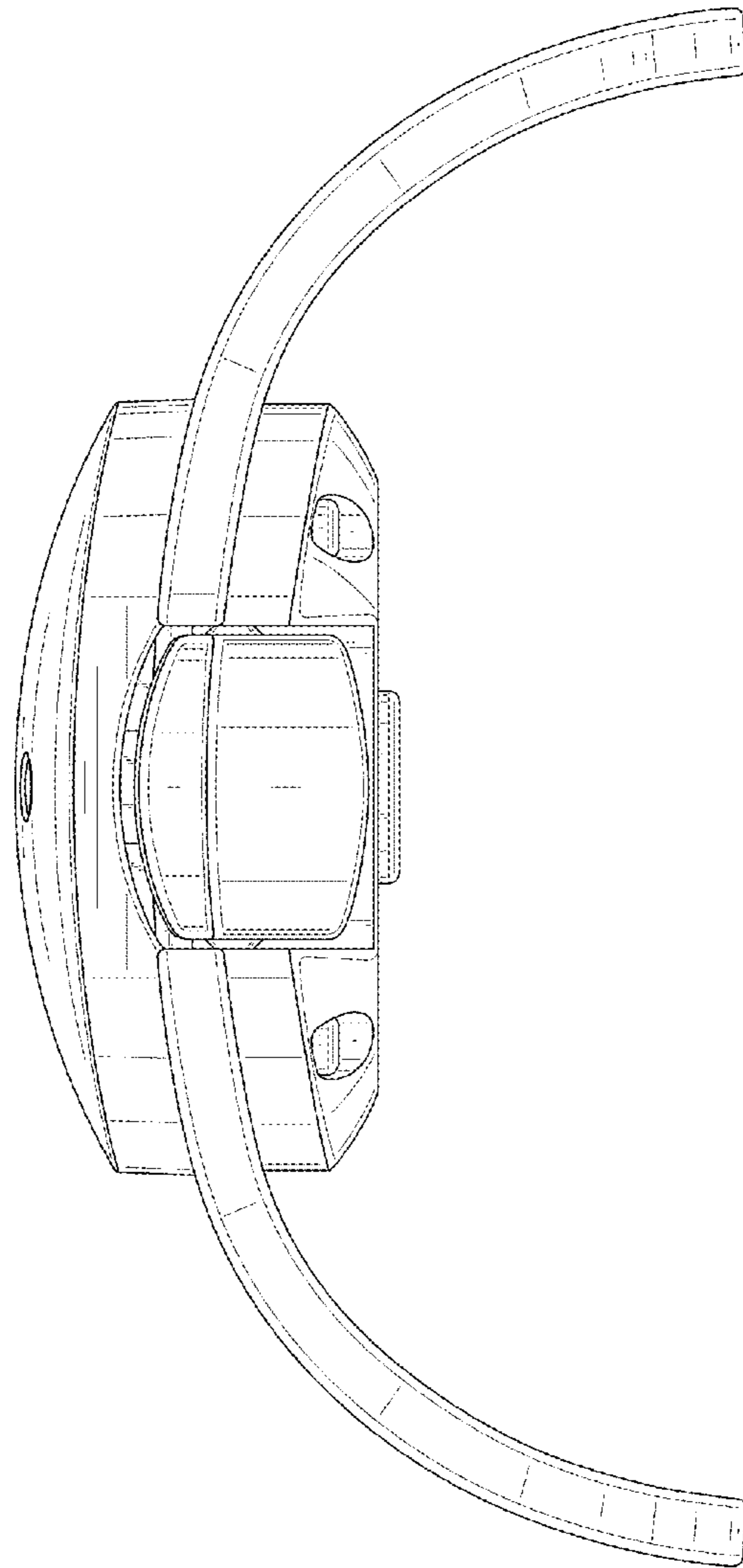


FIG. 7