



US00D670581S

(12) **United States Design Patent**
Matuschek et al.

(10) **Patent No.:** **US D670,581 S**

(45) **Date of Patent:** **** Nov. 13, 2012**

(54) **LASER DISTANCE MEASUREMENT DEVICE**

(75) Inventors: **Walter Matuschek**, Aalen (DE);
Graham Keevy, Aalen (DE)

(73) Assignee: **Hilti Aktiengesellschaft**, Schaan (LI)

(**) Term: **14 Years**

(21) Appl. No.: **29/393,485**

(22) Filed: **Jun. 6, 2011**

(30) **Foreign Application Priority Data**

Dec. 7, 2010 (WO) DM/074 987

(51) **LOC (9) Cl.** **10-04**

(52) **U.S. Cl.** **D10/70; D10/78**

(58) **Field of Classification Search** D10/78,
D10/70; 324/72.5, 556, 133, 149, 503, 543,
324/555, 66, 72, 754, 115, 141; 340/635,
340/687; 73/597, 615, 624, 627, 644;
356/3.01-5.15

See application file for complete search history.

(56) **References Cited**

U.S. PATENT DOCUMENTS

D578,909 S * 10/2008 Chung et al. D10/70

* cited by examiner

Primary Examiner — Antoine D Davis

(74) *Attorney, Agent, or Firm* — Crowell & Moring LLP

(57) **CLAIM**

The ornamental design for a laser distance measurement device, as shown and described.

DESCRIPTION

This application contains subject matter related to the following co-pending U.S. design patent application: Application Ser. No. 29/393,486, filed herewith and entitled “Laser Distance Measurement Device”.

FIG. 1 is a left, front perspective view of a first embodiment of a laser distance measurement device according to our design, the right, front perspective view being mirror symmetrical;

FIG. 2 is a left, rear perspective view thereof, the right, rear perspective view being mirror symmetrical;

FIG. 3 is a top view thereof;

FIG. 4 is a bottom view thereof;

FIG. 5 is a left side view thereof, the right side view being mirror symmetrical;

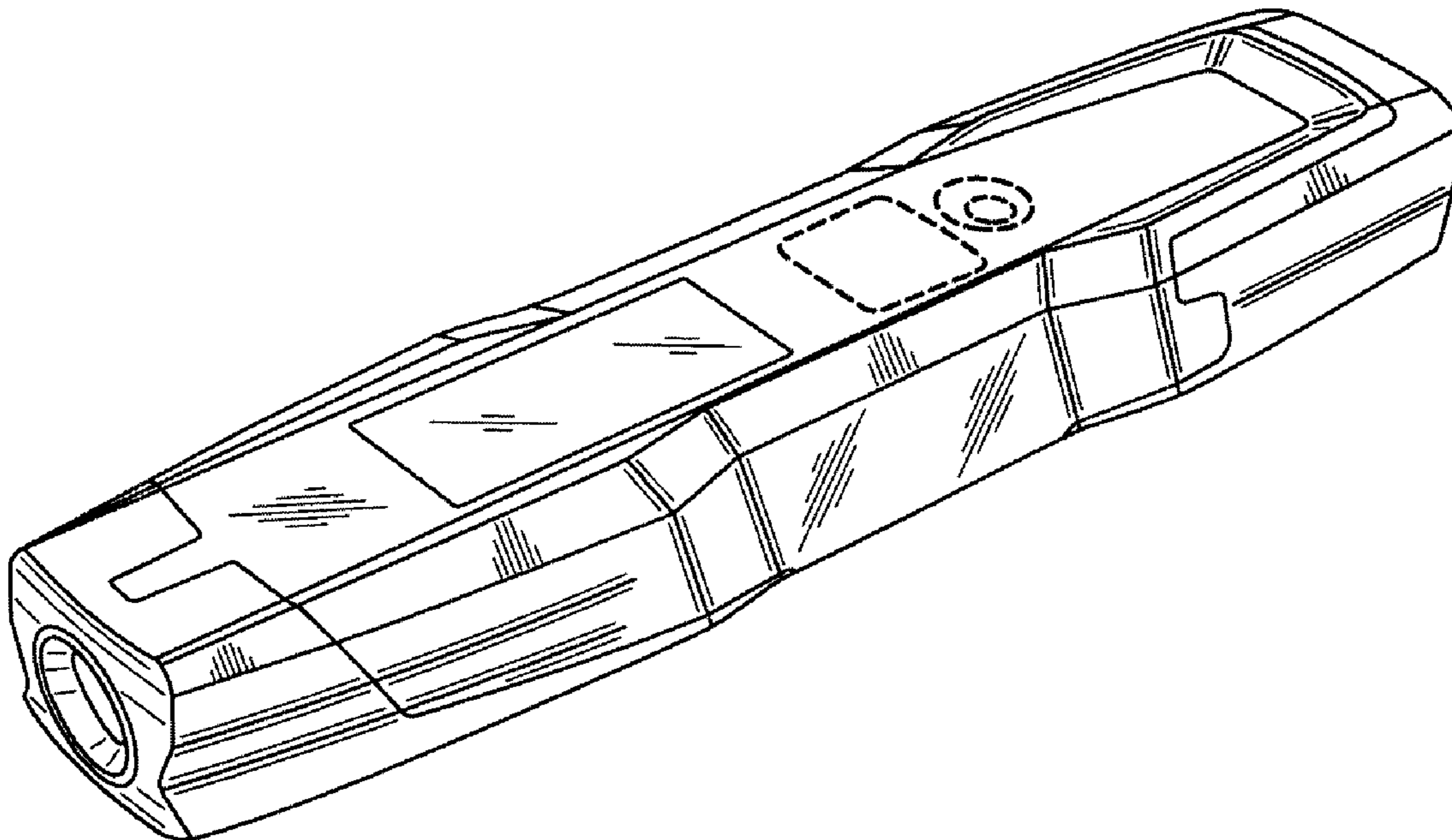
FIG. 6 is a rear thereof;

FIG. 7 is a front view thereof; and,

FIG. 8 is a front, top perspective view thereof.

The broken lines are for illustrative purposes only and form no part of the claimed design.

1 Claim, 8 Drawing Sheets



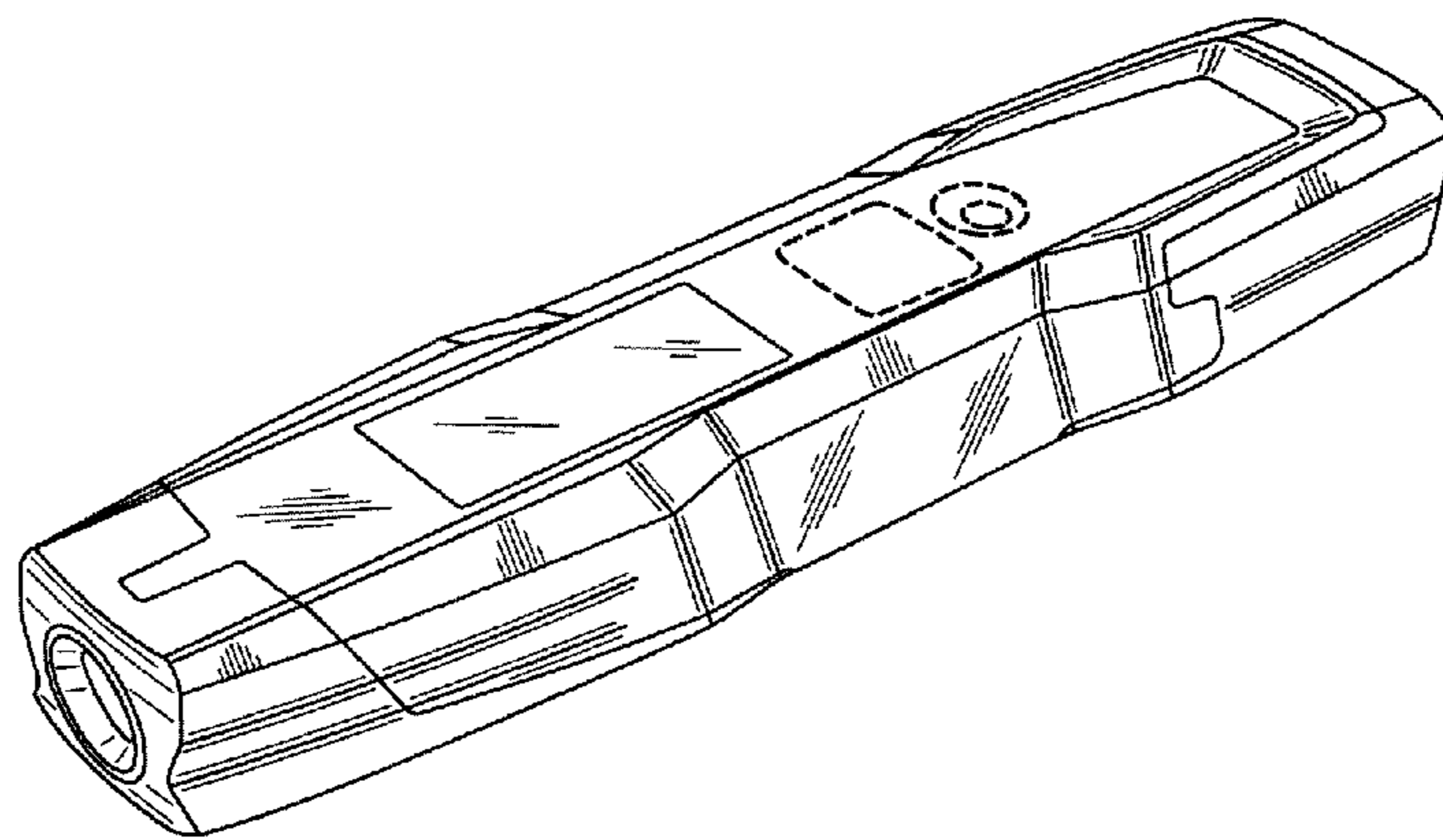


FIG. 1

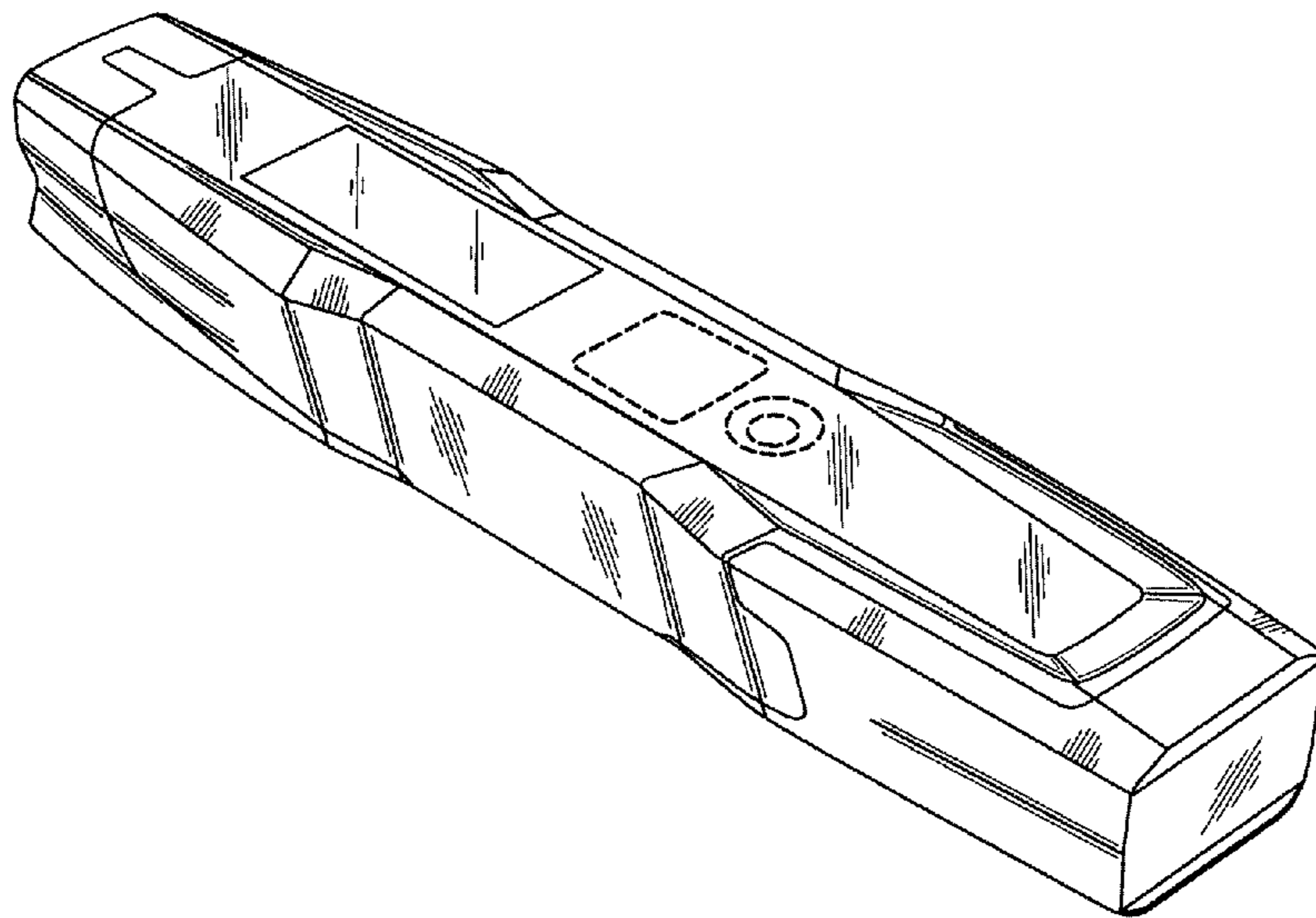


FIG. 2

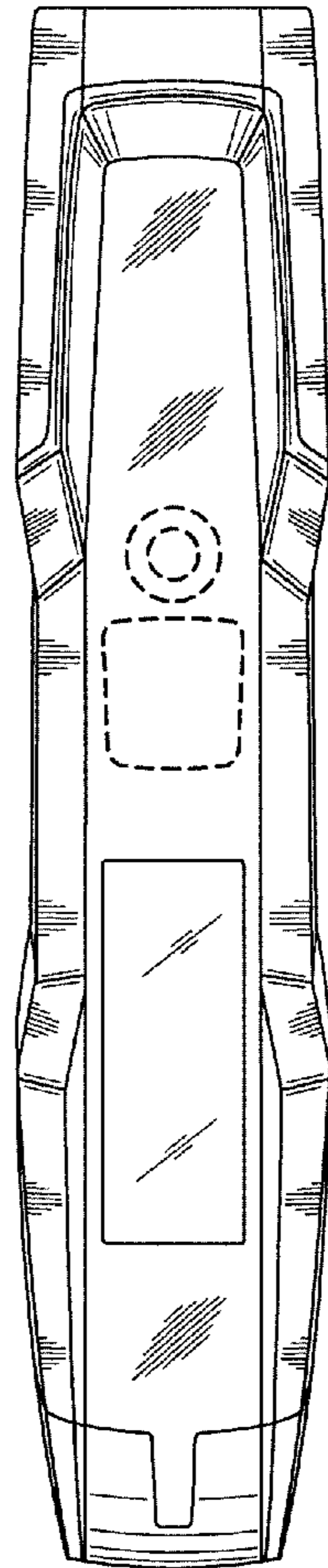


FIG. 3

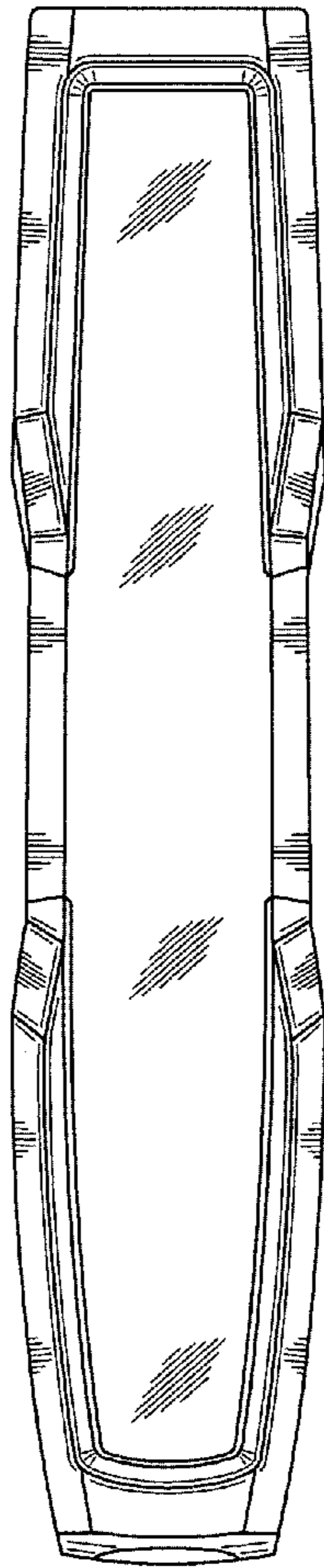


FIG. 4

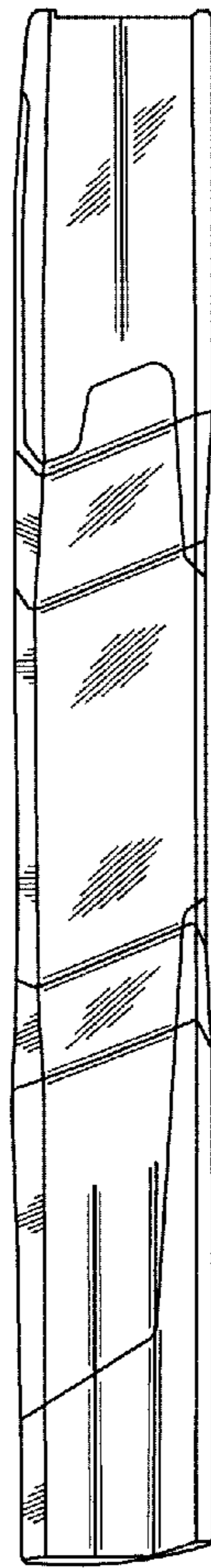


FIG. 5

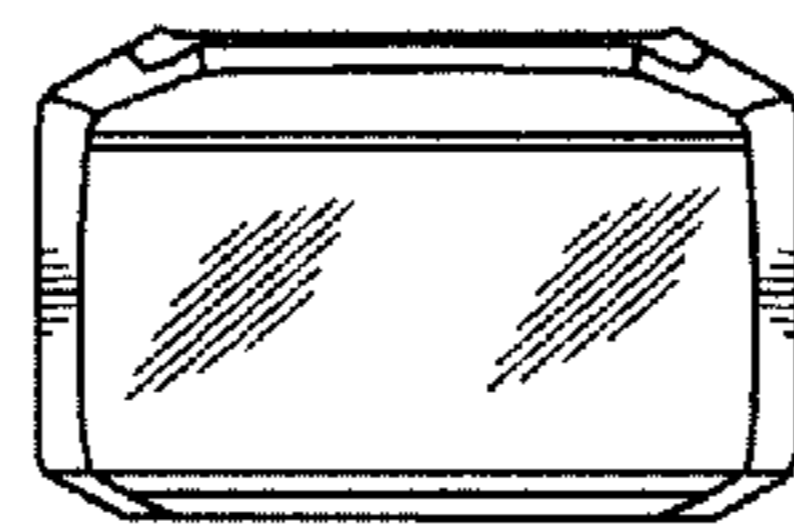


FIG. 6

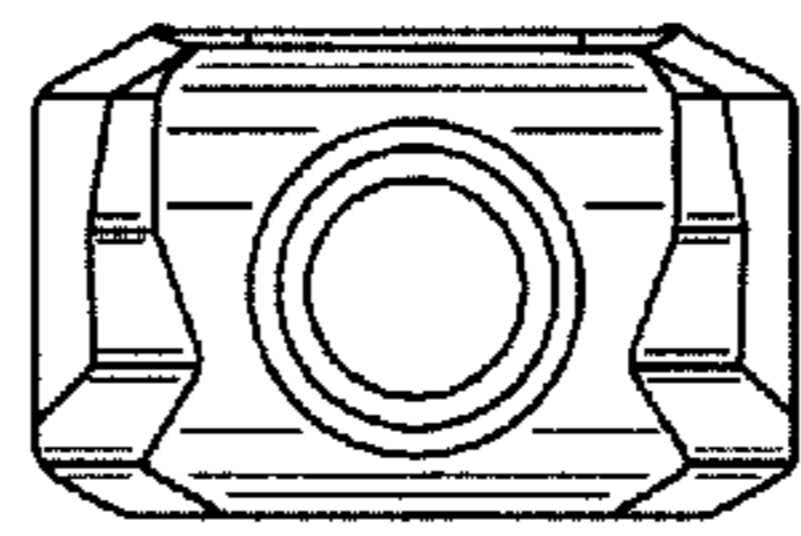


FIG. 7

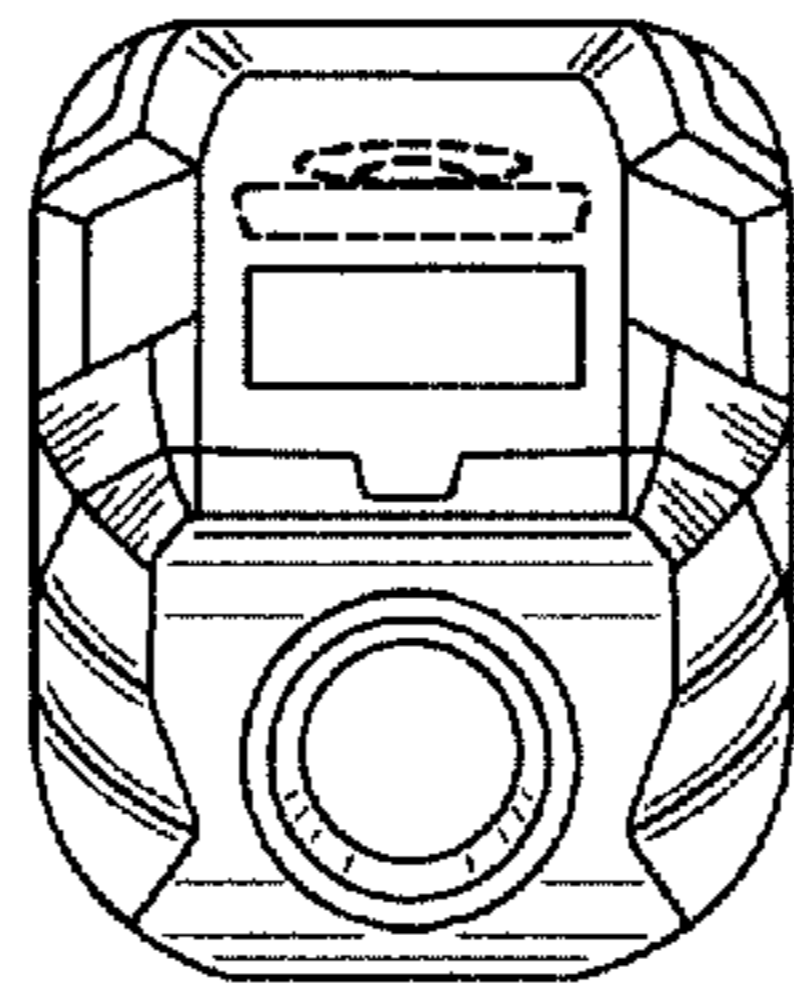


FIG. 8