



US00D670580S

(12) **United States Design Patent**  
**Ranzau**

(10) **Patent No.:** **US D670,580 S**

(45) **Date of Patent:** **\*\* Nov. 13, 2012**

(54) **BOW MAKING TEMPLATE**

(76) Inventor: **Karyn E. Ranzau**, Louisville, KY (US)

(\*\*) Term: **14 Years**

(21) Appl. No.: **29/419,672**

(22) Filed: **Apr. 30, 2012**

**Related U.S. Application Data**

(62) Division of application No. 29/397,453, filed on Jul. 15, 2011, now Pat. No. Des. 665,678.

(51) **LOC (9) Cl.** ..... **10-04**

(52) **U.S. Cl.** ..... **D10/64**

(58) **Field of Classification Search** ..... D10/64;  
33/562-566; 68/147; 223/46  
See application file for complete search history.

(56) **References Cited**

**U.S. PATENT DOCUMENTS**

2011/0024467 A1\* 2/2011 Fuentes ..... 223/46

\* cited by examiner

*Primary Examiner* — Antoine D Davis

(74) *Attorney, Agent, or Firm* — Dinsmore & Shohl, LLP

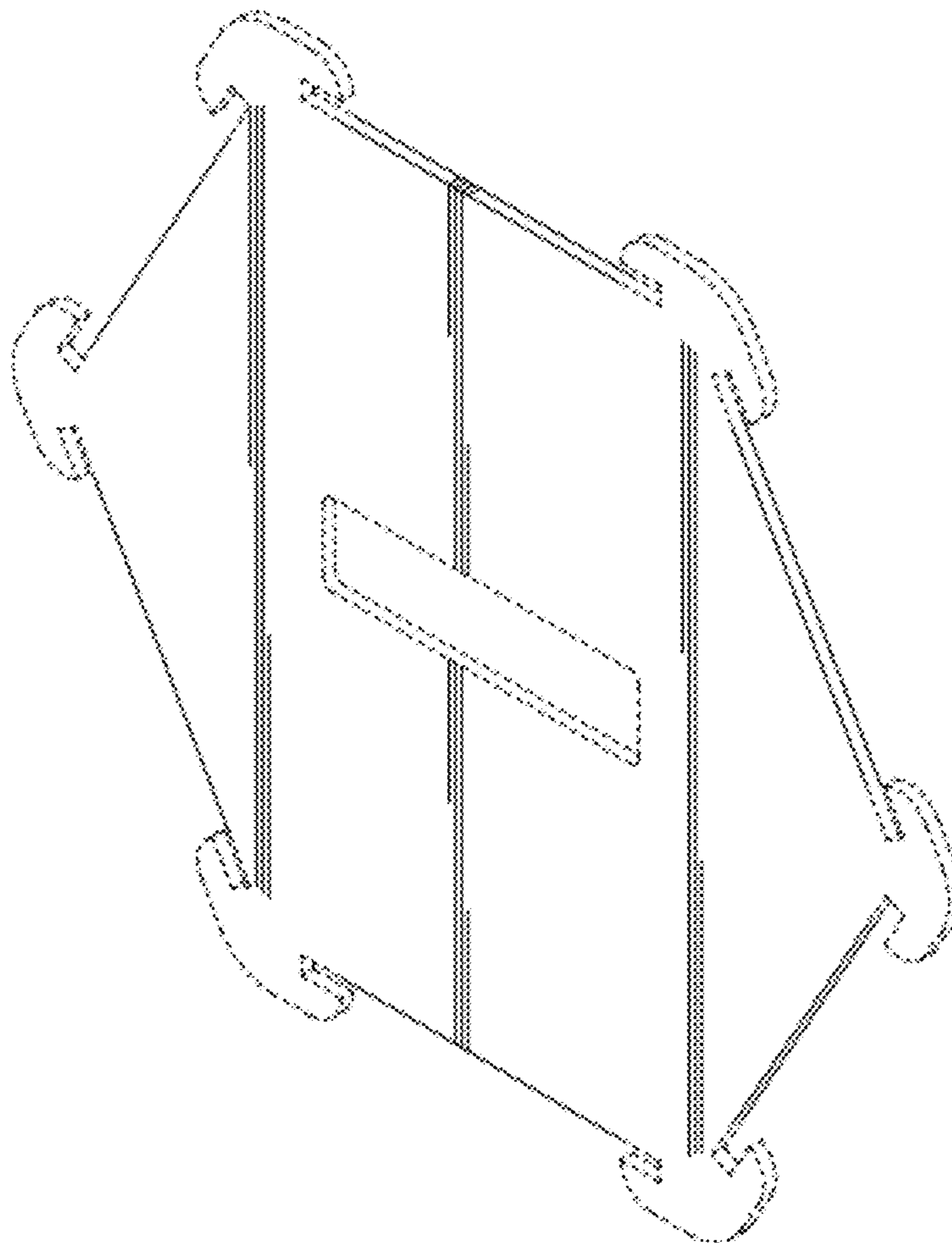
(57) **CLAIM**

The ornamental design of a bow making template, as shown and described.

**DESCRIPTION**

FIG. 1 shows a perspective view of a bow making template; FIG. 2 shows a top side view thereof; FIG. 3 shows a top view thereof, and the bottom view is a mirror image of the top view; FIG. 4 shows a bottom side view thereof; FIG. 5 shows a left side view thereof; and, FIG. 6 shows a right side view thereof. Broken lines are for illustrative purposes only and do not form part of the design sought to be patented.

**1 Claim, 3 Drawing Sheets**



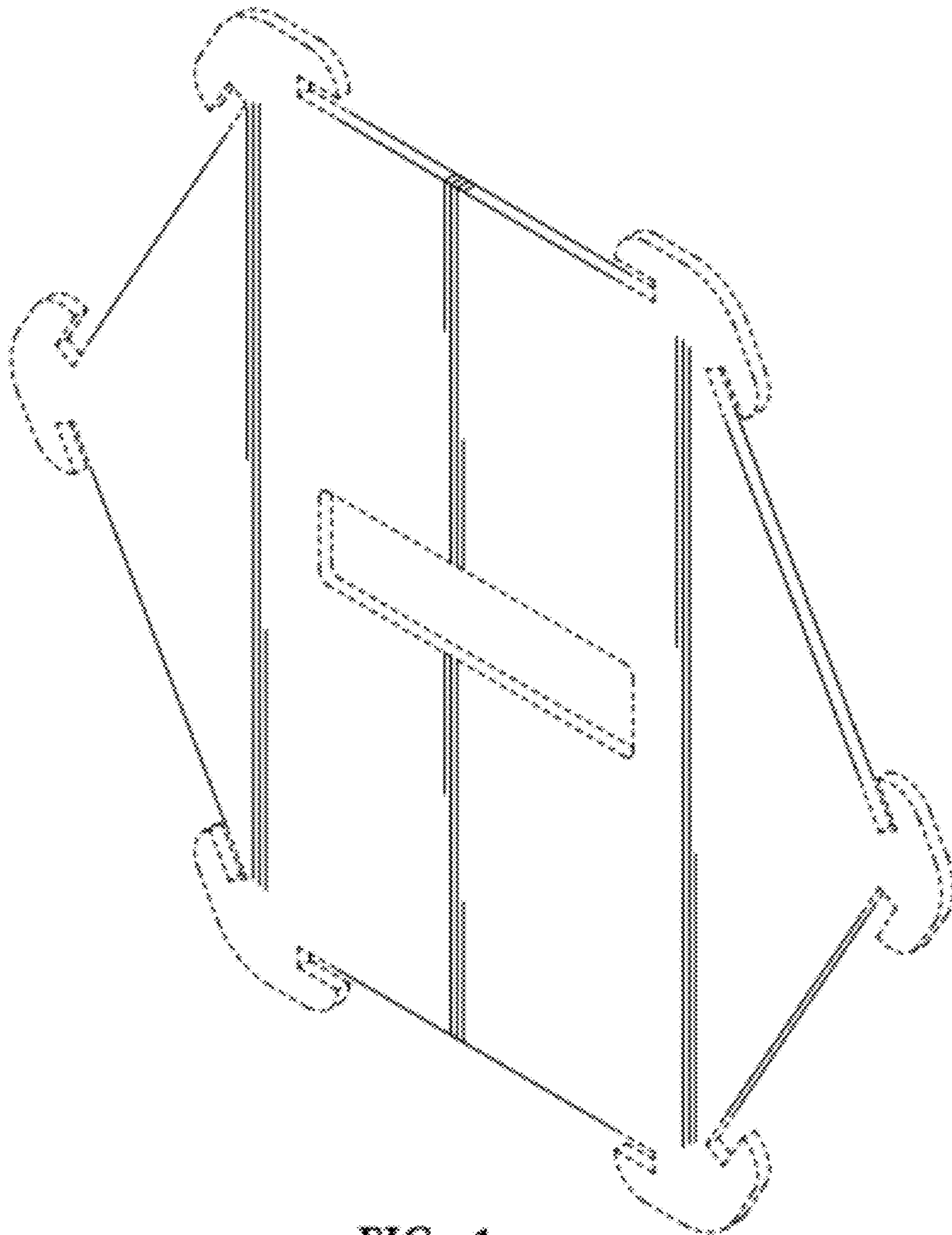


FIG. 1

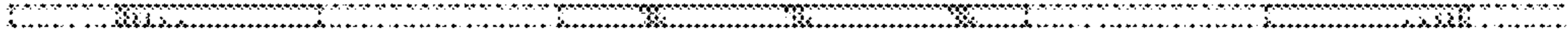


FIG. 2

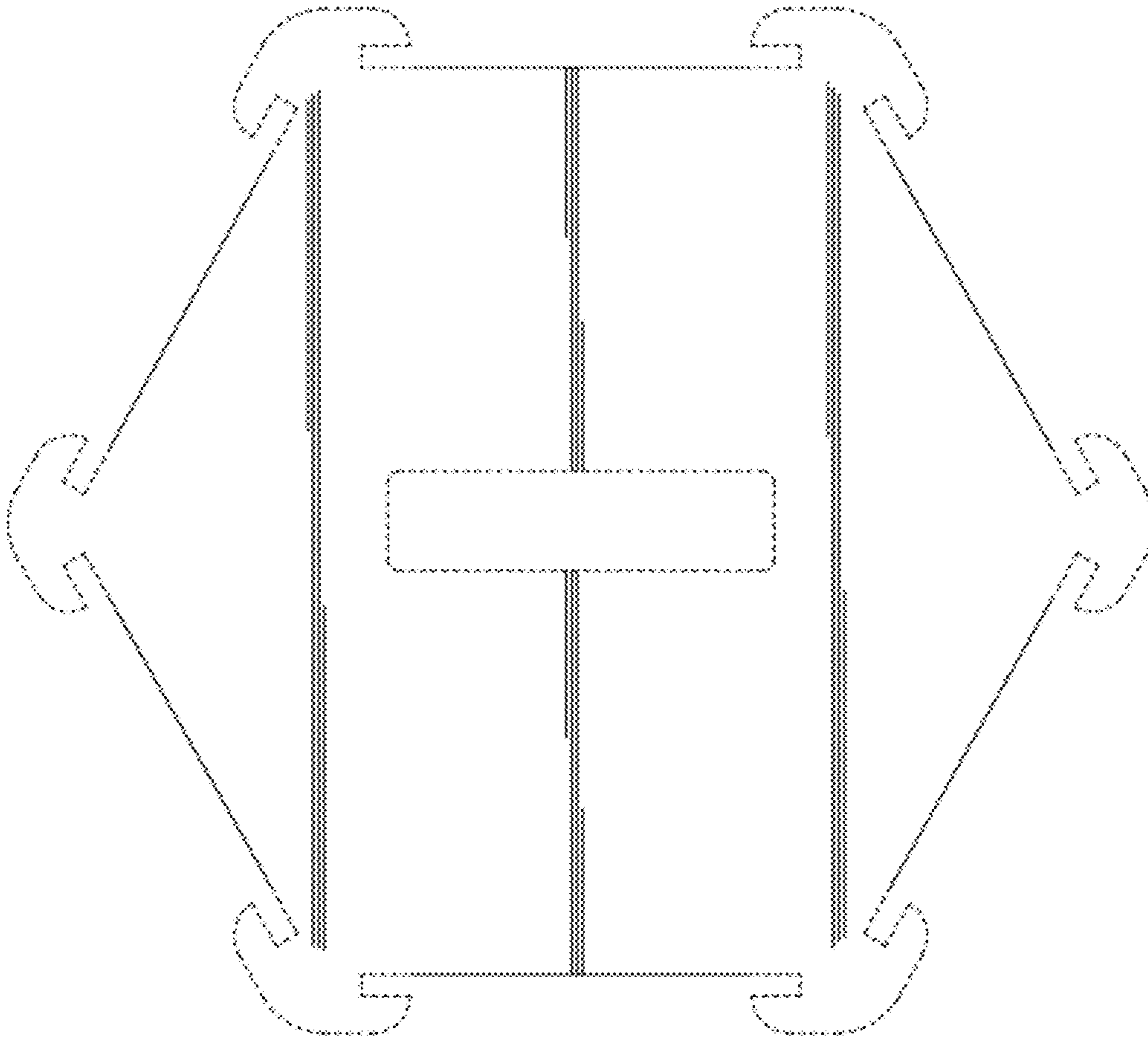


FIG. 3



FIG. 4

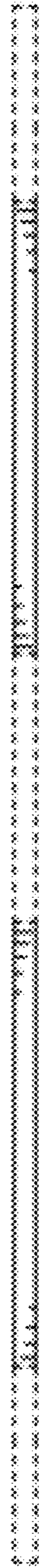


FIG. 5



FIG. 6