



US00D670579S

(12) **United States Design Patent**
Cooney

(10) **Patent No.:** **US D670,579 S**

(45) **Date of Patent:** **** Nov. 13, 2012**

(54) **DIGITAL THERMOMETER**

(76) Inventor: **Gerald A. Cooney**, Friendswood, TX
(US)

(**) Term: **14 Years**

(21) Appl. No.: **29/393,854**

(22) Filed: **Jun. 10, 2011**

(51) **LOC (9) Cl.** **10-04**

(52) **U.S. Cl.** **D10/57**

(58) **Field of Classification Search** D10/57;
374/1-208; 600/549

See application file for complete search history.

(56) **References Cited**

U.S. PATENT DOCUMENTS

D472,480 S *	4/2003	Chung et al.	D10/57
D473,150 S *	4/2003	Chung et al.	D10/57
D518,744 S *	4/2006	Rosen	D10/57
D579,800 S *	11/2008	Mobley	D10/57
D582,804 S *	12/2008	Flandin et al.	D10/57

* cited by examiner

Primary Examiner — Antoine D Davis

(74) *Attorney, Agent, or Firm* — Kenneth A. Roddy

(57) **CLAIM**

The ornamental design for a digital thermometer, as shown and described.

DESCRIPTION

FIG. 1 is a perspective view of a digital thermometer showing my new design from the front, top, and right side, with the front slide cover in an open position;

FIG. 2 is a perspective view thereof shown from the front, top, and right side, with the front slide cover in a closed position;

FIG. 3 is a perspective view thereof shown from the rear, bottom, and left side;

FIG. 4 is a front elevation view thereof;

FIG. 5 is a left side elevation view thereof;

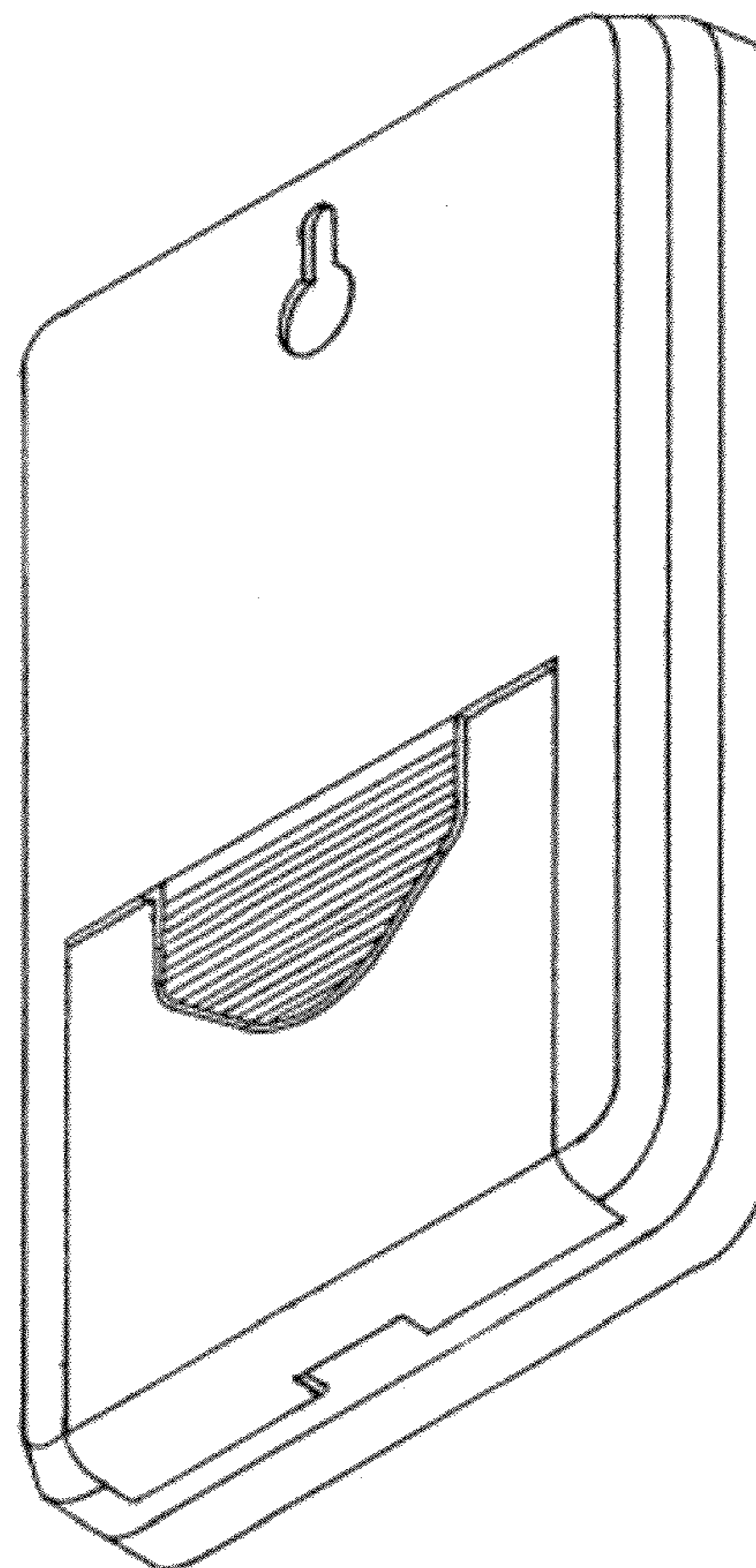
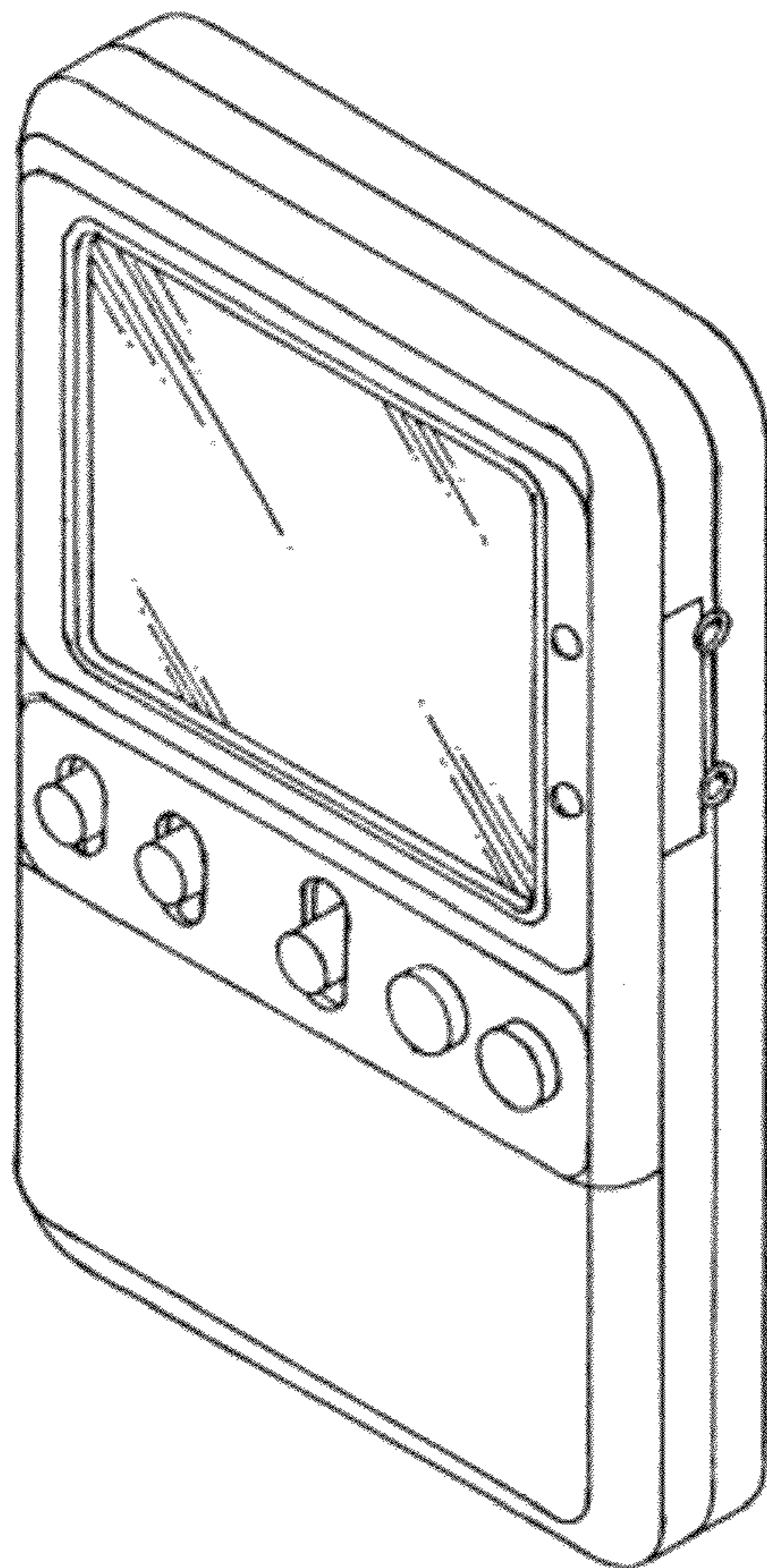
FIG. 6 is a right side elevation view thereof;

FIG. 7 is a top plan view thereof;

FIG. 8 is a bottom plan view thereof; and,

FIG. 9 is a rear elevation view thereof.

1 Claim, 2 Drawing Sheets



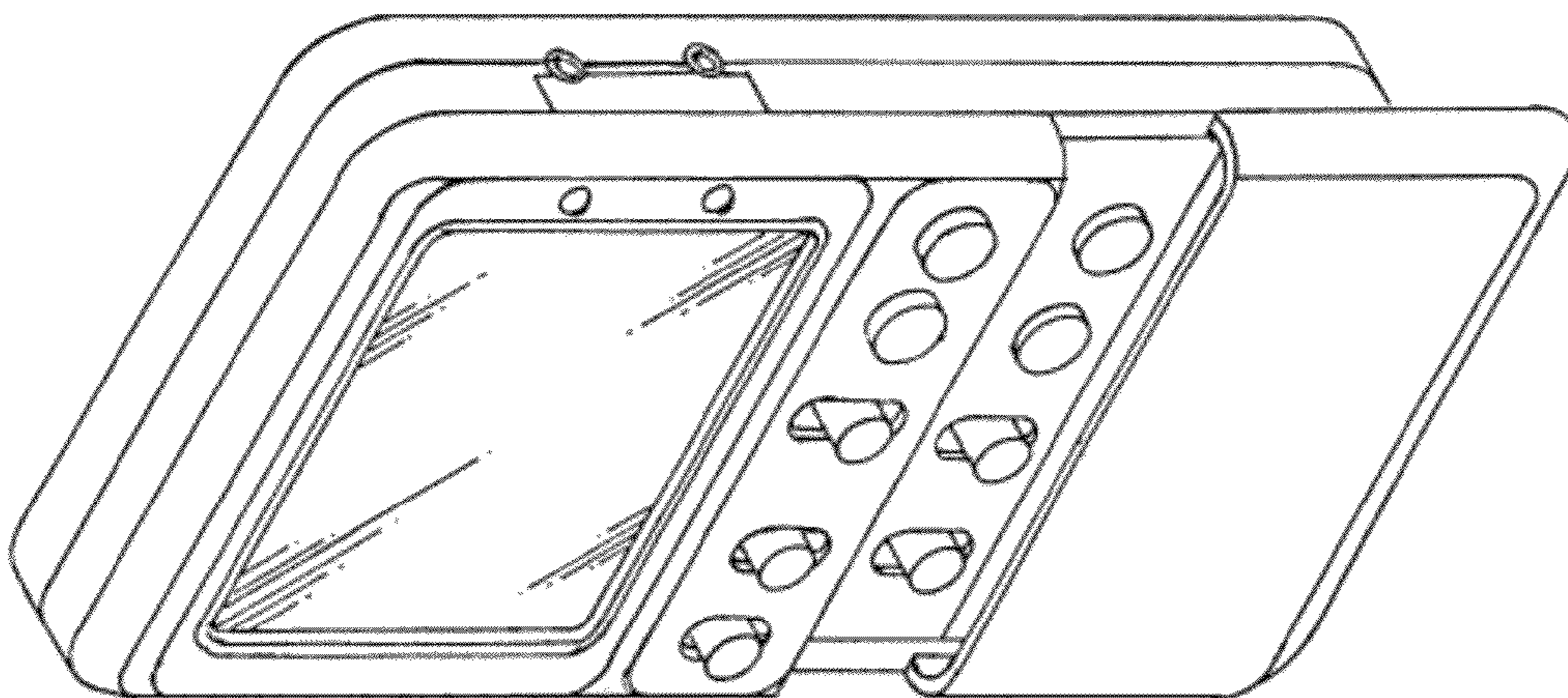


Fig. 1

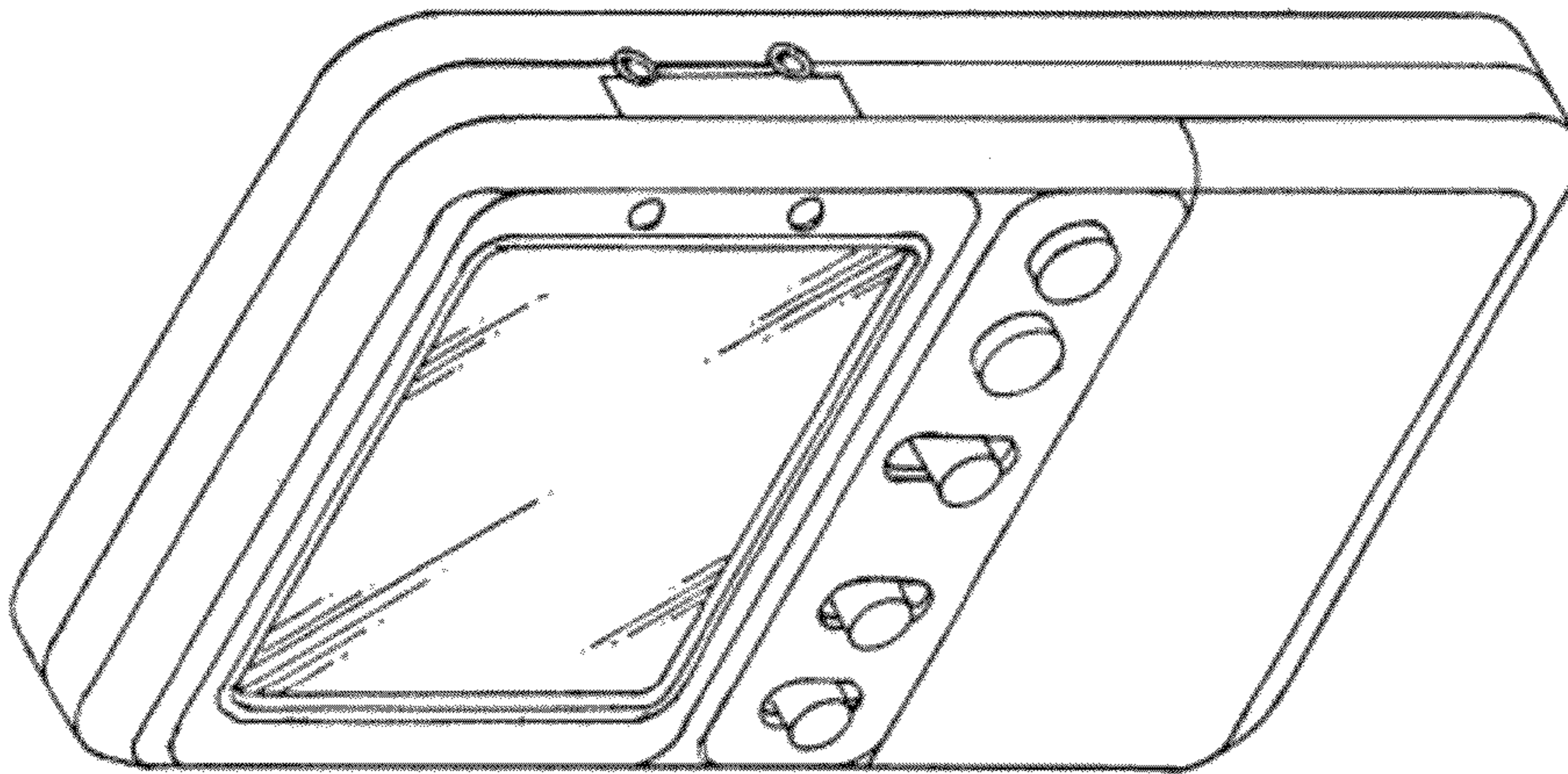


Fig. 2

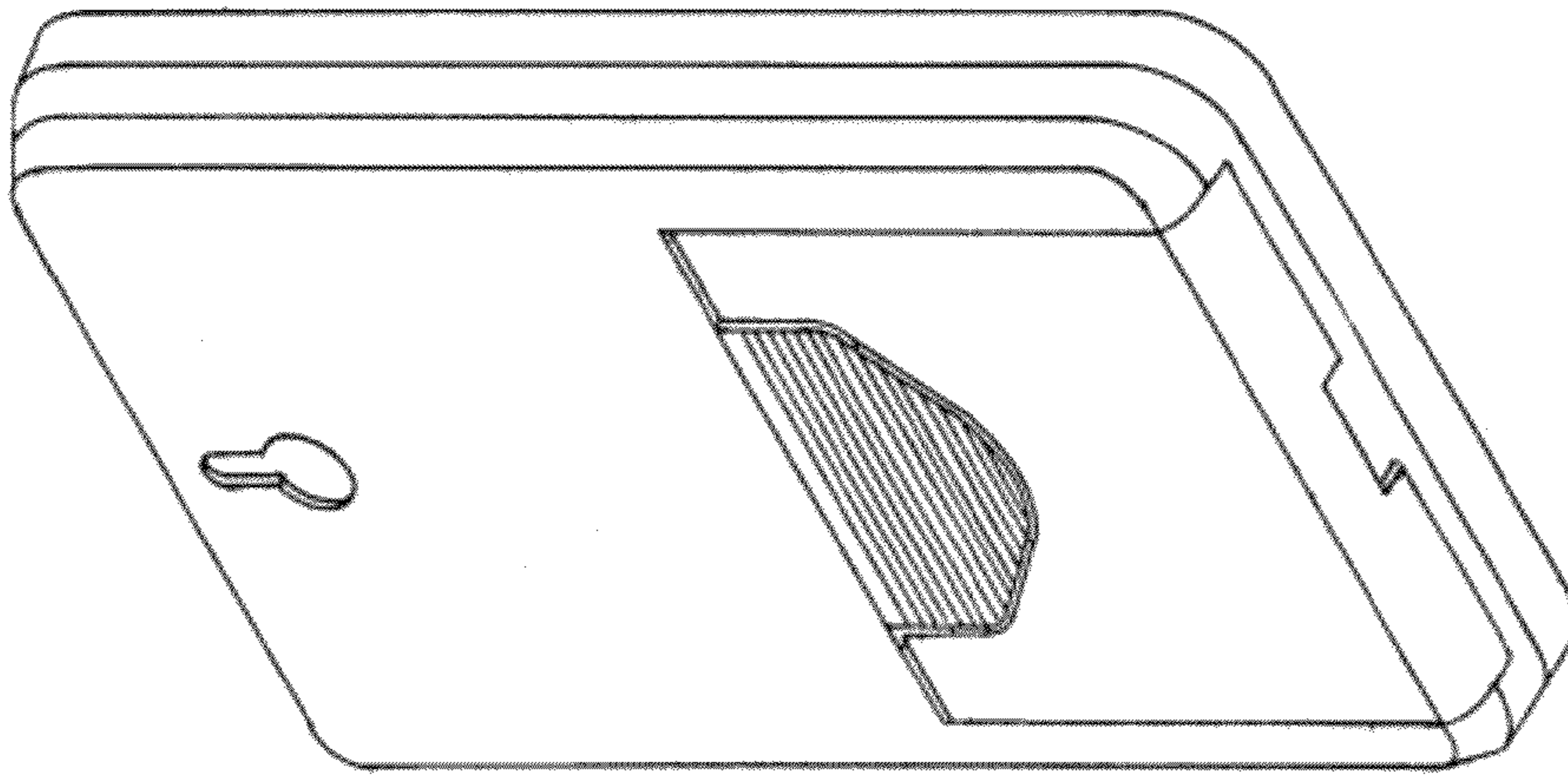


Fig. 3

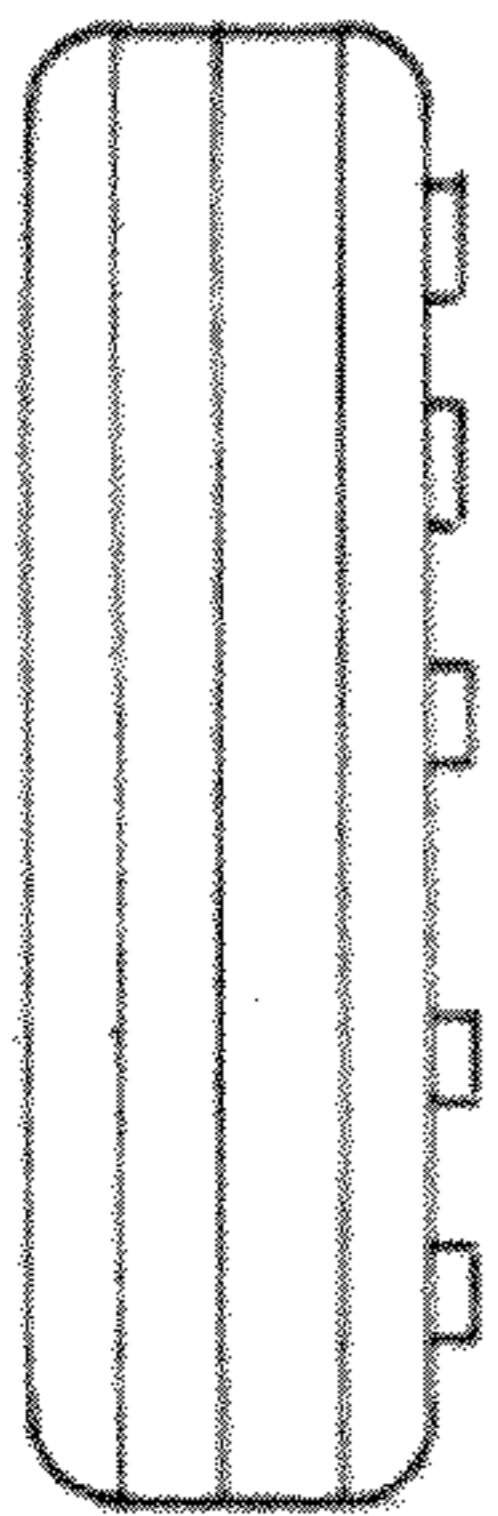


Fig. 7



Fig. 5

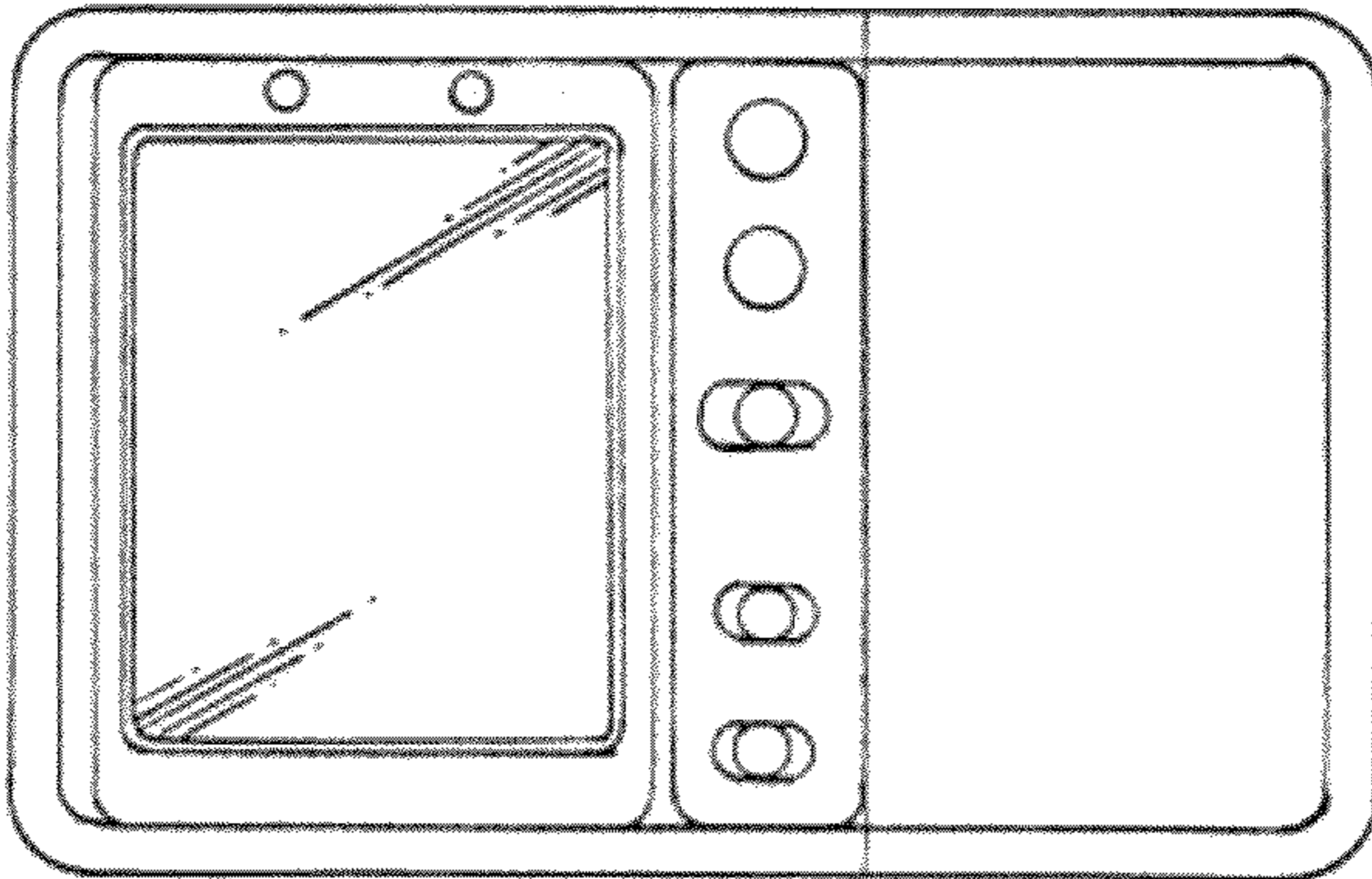


Fig. 4



Fig. 6

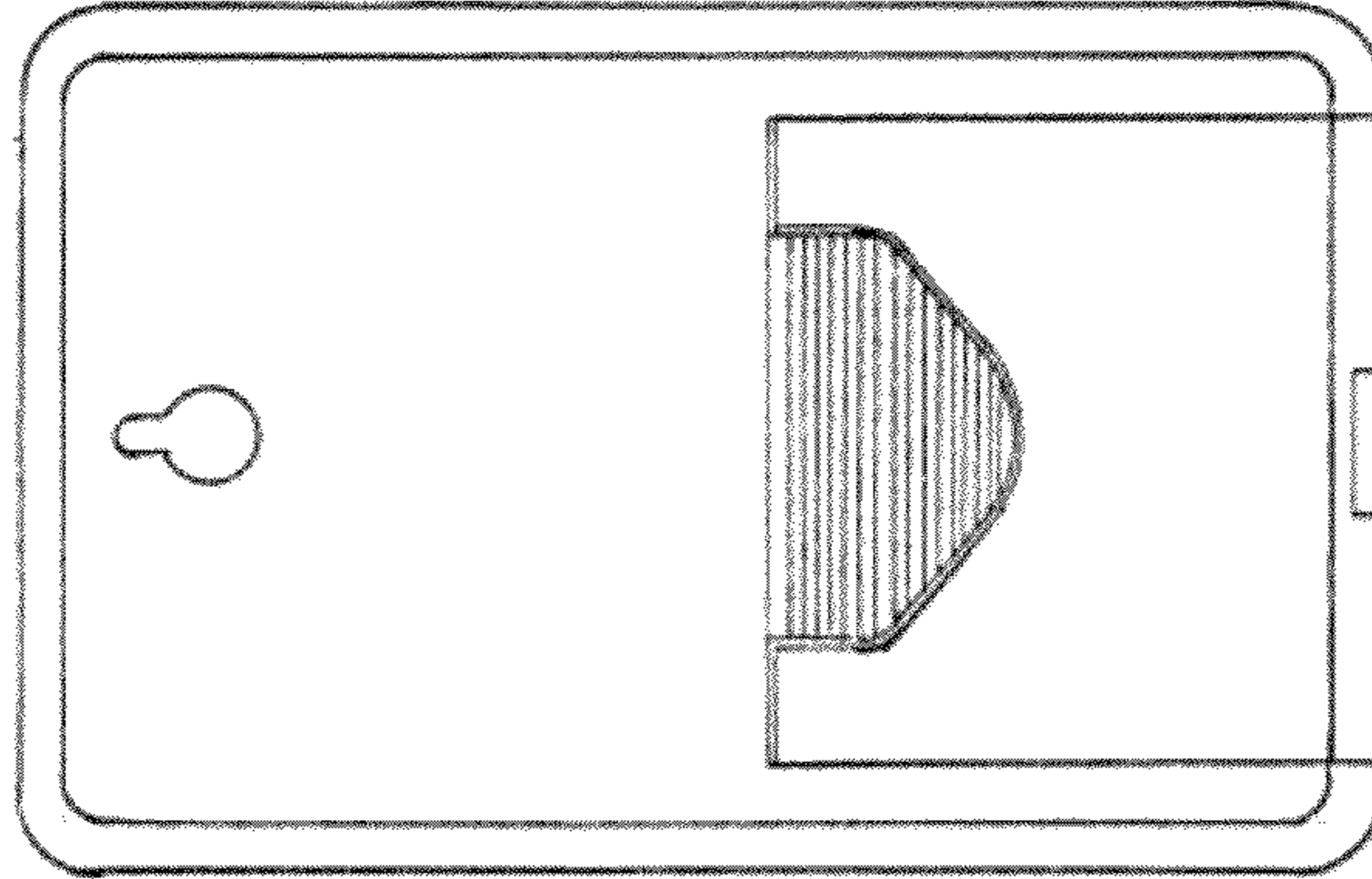


Fig. 9

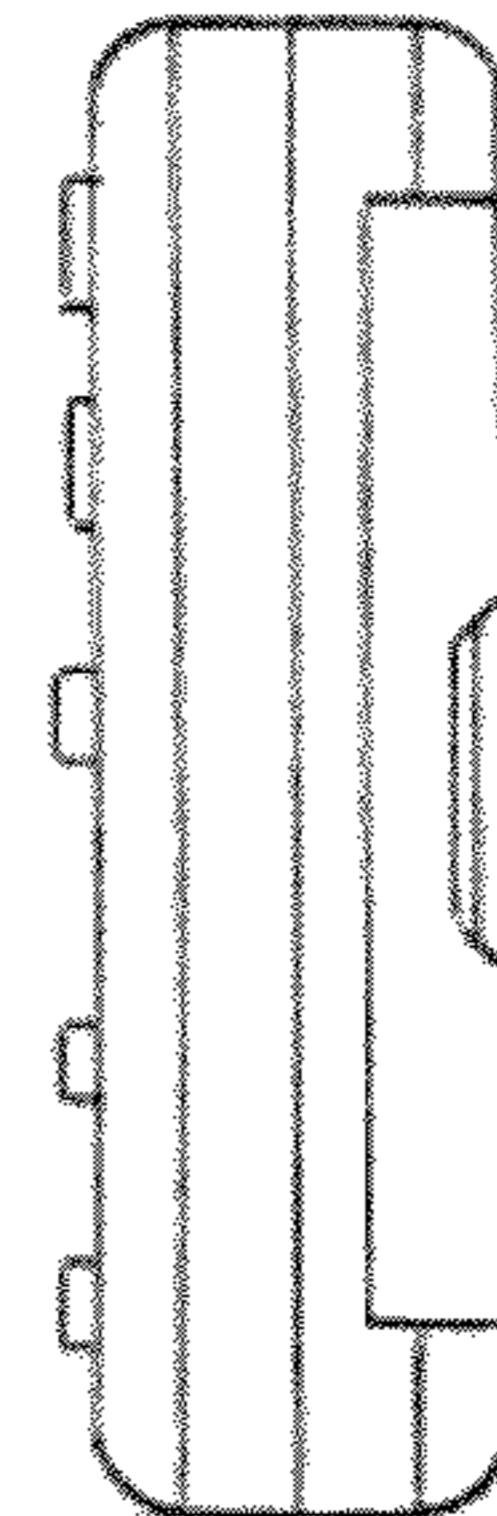


Fig. 8