



US00D670578S

(12) **United States Design Patent**  
**Perry et al.**

(10) **Patent No.:** **US D670,578 S**

(45) **Date of Patent:** **\*\* Nov. 13, 2012**

(54) **MEASURING CUP**

(75) Inventors: **Marco Perry**, Brooklyn, NY (US); **Avi Bajpai**, Brooklyn, NY (US); **Mark Prommel**, Brooklyn, NY (US)

(73) Assignee: **Helen of Troy Limited**, St. Michael (BB)

(\*\*) Term: **14 Years**

(21) Appl. No.: **29/413,471**

(22) Filed: **Feb. 15, 2012**

(51) **LOC (9) Cl.** ..... **10-04**

(52) **U.S. Cl.** ..... **D10/46.2**

(58) **Field of Classification Search** ..... D10/46.2,  
D10/46.3; D24/224; 73/426-429; 222/566,  
222/23, 158; 422/908, 910, 425, 912, 527,  
422/556, 500, 547

See application file for complete search history.

(56) **References Cited**

U.S. PATENT DOCUMENTS

2,898,762 A \* 8/1959 Harrison et al. .... 73/426  
5,881,597 A \* 3/1999 Brooks ..... 73/428  
D437,239 S \* 2/2001 Wei ..... D10/46.2

\* cited by examiner

*Primary Examiner* — Terry Wallace

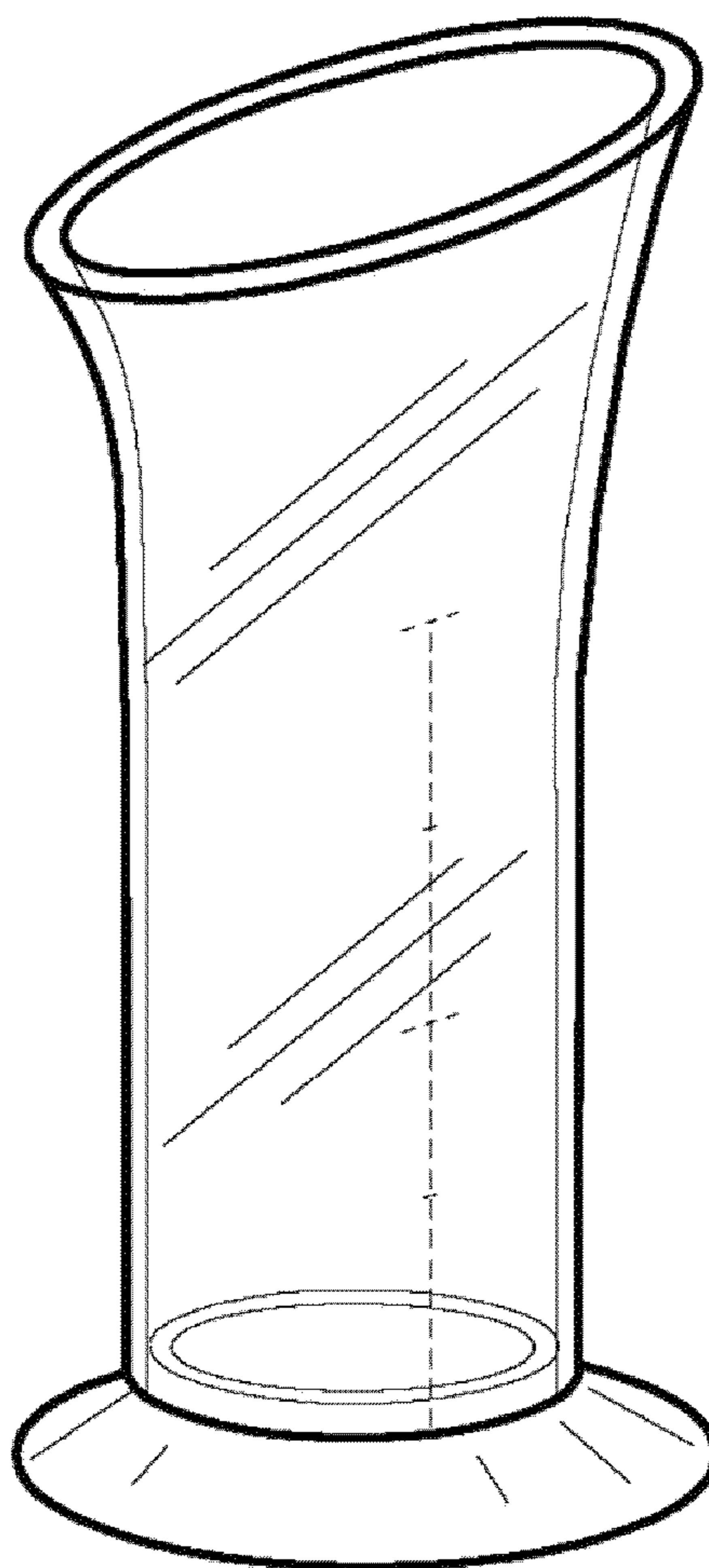
(57) **CLAIM**

The ornamental design for a measuring cup, as shown, and described.

**DESCRIPTION**

FIG. 1 is a side view of the measuring cup;  
FIG. 2 is a front view of the measuring cup;  
FIG. 3 is a rear view of the measuring cup;  
FIG. 4 is a top view of the measuring cup;  
FIG. 5 is a bottom view of the measuring cup; and,  
FIG. 6 is a perspective view of the measuring cup.  
The broken lines are for illustrative purposes only and form no part of the claimed design.

**1 Claim, 6 Drawing Sheets**



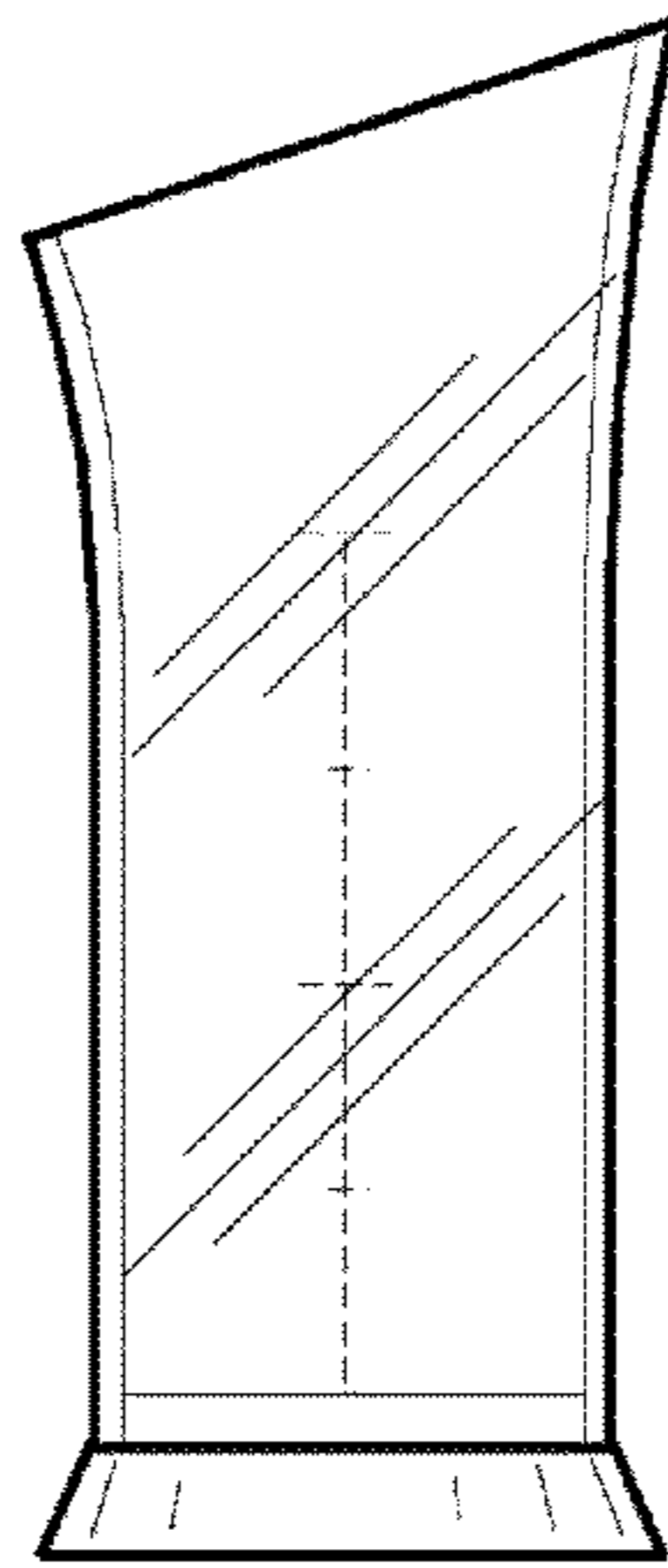


Figure 1

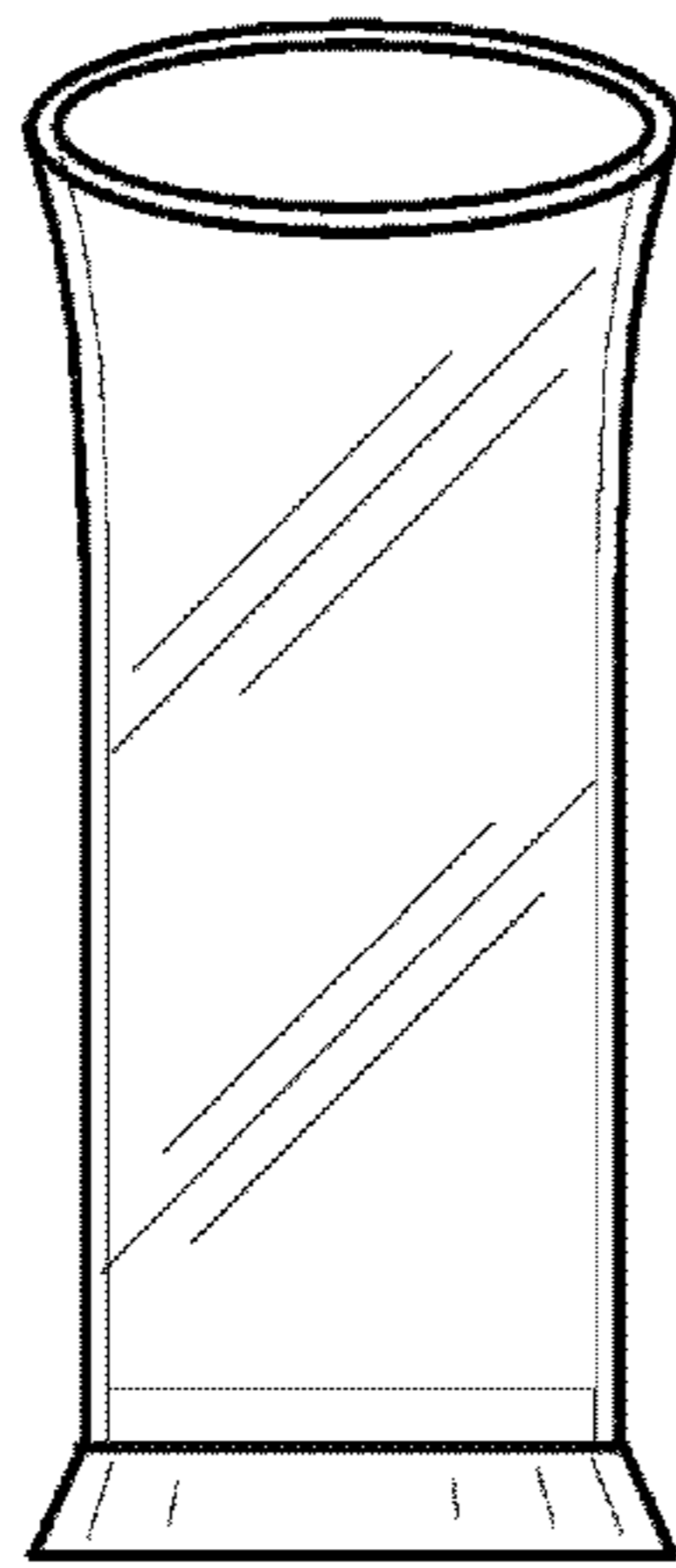


Figure 2

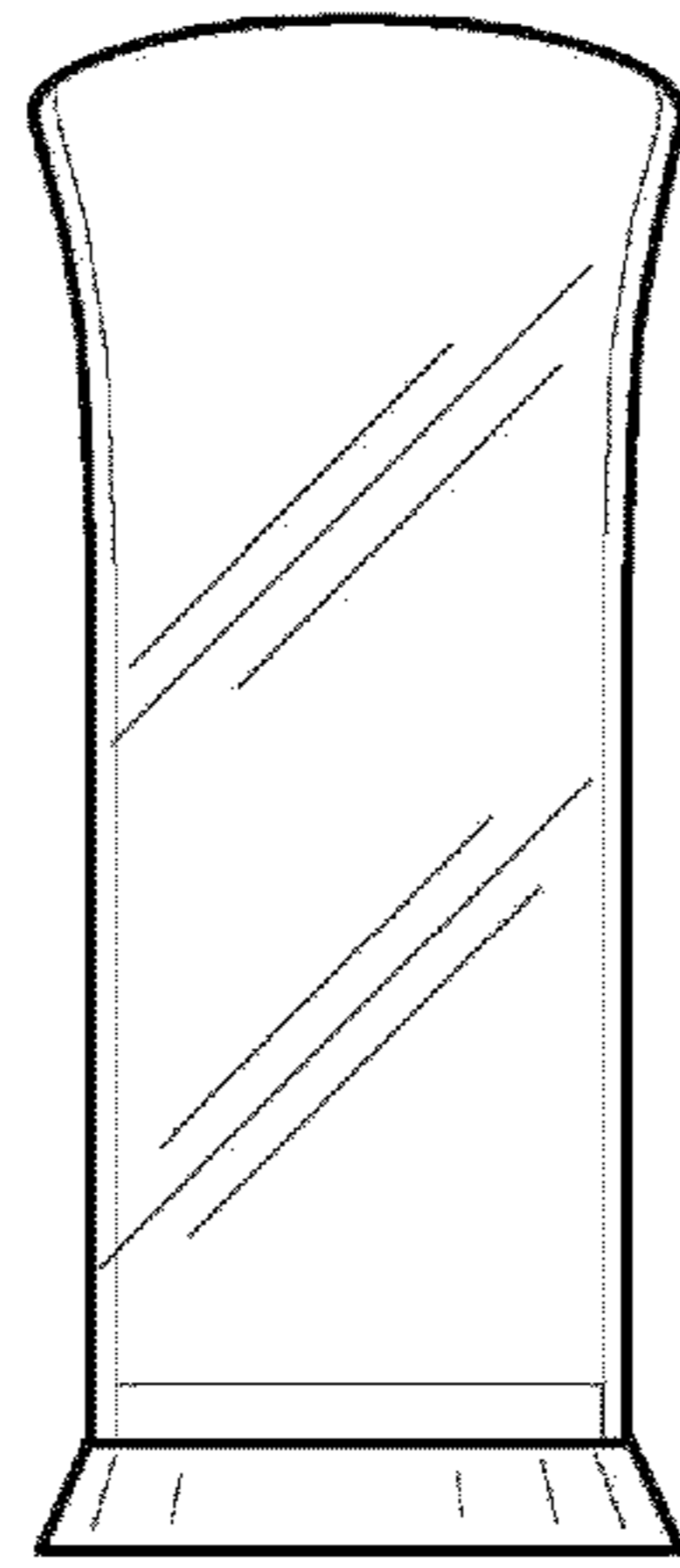


Figure 3

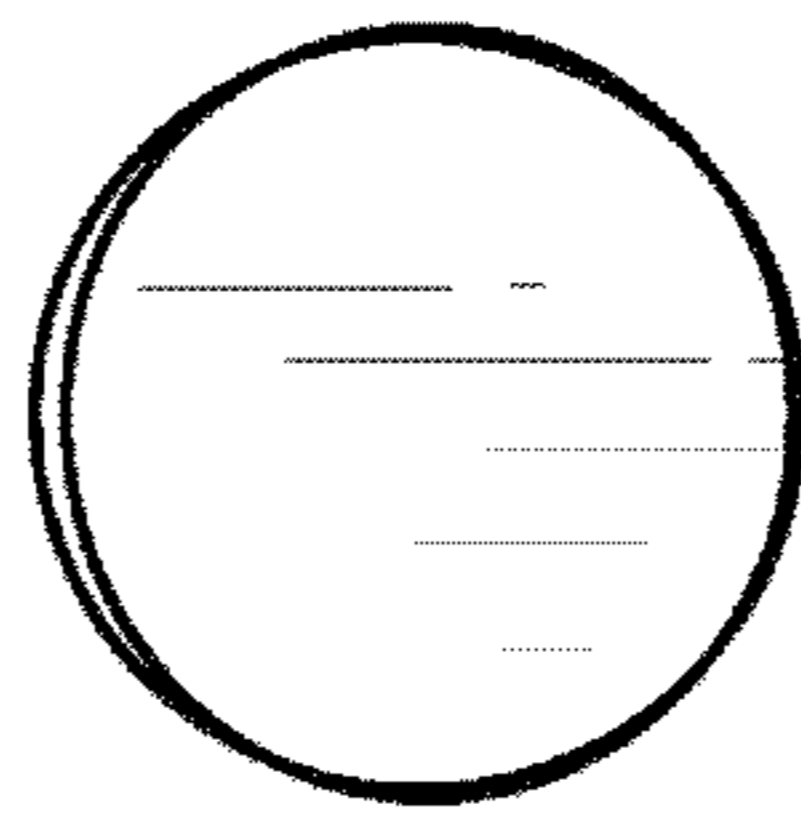


Figure 4

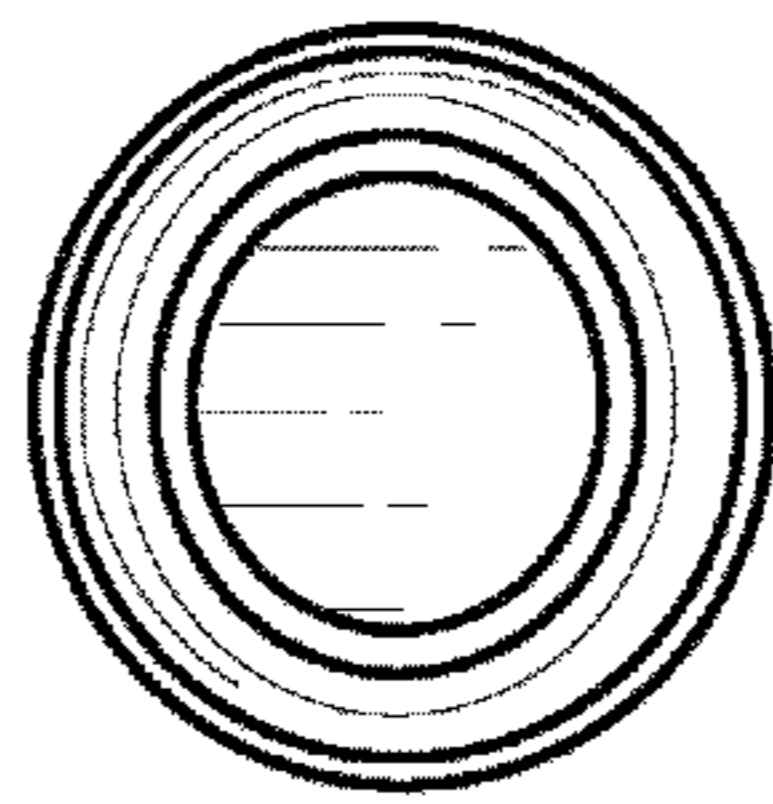


Figure 5

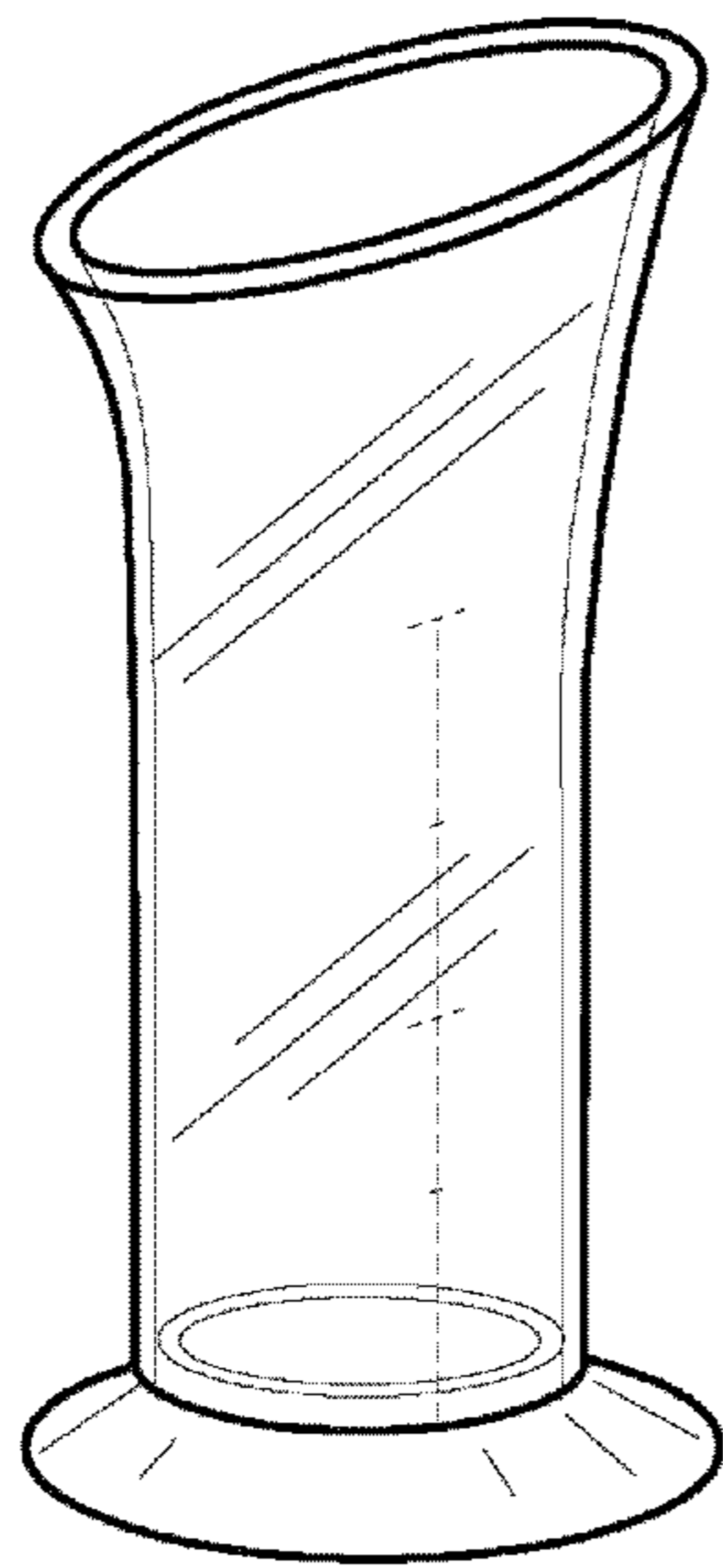


Figure 6