



US00D670577S

(12) **United States Design Patent**  
**Armstrong**

(10) **Patent No.:** **US D670,577 S**

(45) **Date of Patent:** **\*\* Nov. 13, 2012**

(54) **WATCH CASING**

(75) **Inventor:** **Daniel Armstrong**, Fort Thomas, KY  
(US)

(73) **Assignee:** **Timex Group USA, Inc.**, Middlebury,  
CT (US)

(\*\*) **Term:** **14 Years**

(21) **Appl. No.:** **29/417,160**

(22) **Filed:** **Mar. 30, 2012**

(51) **LOC (9) Cl.** ..... **10-02**

(52) **U.S. Cl.** ..... **D10/38**

(58) **Field of Classification Search** ..... D10/30-39;  
368/276, 281, 282, 285  
See application file for complete search history.

(56) **References Cited**

**U.S. PATENT DOCUMENTS**

D225,124	S	*	11/1972	Osawa	.....	D10/39
D229,085	S	*	11/1973	Lutenegger	.....	D10/38
D234,943	S	*	4/1975	Marquand	.....	D10/39
D236,592	S	*	9/1975	Portmann	.....	D10/32
D246,230	S	*	11/1977	Sagarino	.....	D10/38
D247,224	S	*	2/1978	Pemberton	.....	D10/38
4,396,298	A	*	8/1983	Ripley	.....	368/300
4,586,827	A	*	5/1986	Hirsch et al.	.....	368/282
D284,642	S	*	7/1986	Kabaya	.....	D10/38
D309,577	S	*	7/1990	Takeichi	.....	D10/39
D313,941	S	*	1/1991	Wakamatsu	.....	D10/38
D314,709	S	*	2/1991	Braun	.....	D10/30
D391,860	S	*	3/1998	Kubo	.....	D10/30
5,838,642	A	*	11/1998	Tully	.....	368/282
D415,039	S	*	10/1999	Strasser	.....	D10/30
D440,886	S	*	4/2001	Burgener	.....	D10/32
D446,130	S	*	8/2001	Nakanishi	.....	D10/38
D448,680	S	*	10/2001	Kubo	.....	D10/30

D475,934	S	*	6/2003	Bulgari	.....	D10/30
D513,195	S	*	12/2005	Gruosi	.....	D10/38
D558,067	S	*	12/2007	Carbonatto	.....	D10/38
D563,800	S	*	3/2008	Holtzman	.....	D10/39
D566,583	S	*	4/2008	Holtzman	.....	D10/39
D578,900	S	*	10/2008	Nisembaum	.....	D10/32
D589,375	S	*	3/2009	Tang	.....	D10/32
D599,217	S	*	9/2009	Chen	.....	D10/32

**OTHER PUBLICATIONS**

<http://www.dunhill.com/en-us/shoponline/lighters—Turbo> Dia-  
mond Pattern Lighter.  
<http://www.dunhill.com/en-us/shoponline/lighters—Rollagas> Ad  
Vintage Logo.  
<http://watchismo.blogspot.com/2008/11/spaceman-time-con->  
[tinuum-spaceman.html](http://watchismo.blogspot.com/2008/11/spaceman-time-con-), pp. 1 and 2 of 12.

\* cited by examiner

*Primary Examiner* — Lucy Lieberman

(74) *Attorney, Agent, or Firm* — Carmody & Torrance LLP

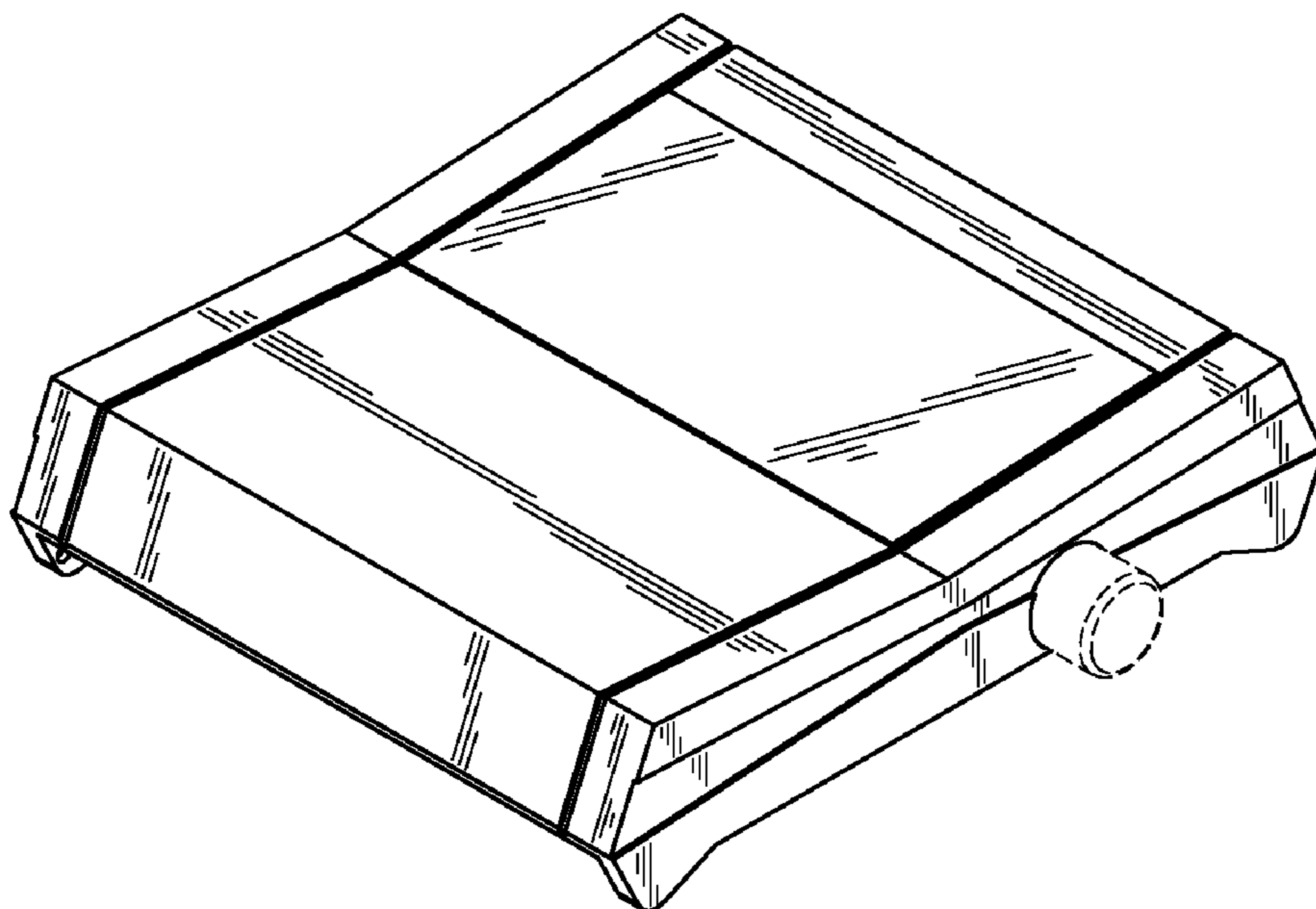
(57) **CLAIM**

The ornamental design for a watch casing, as shown and described.

**DESCRIPTION**

FIG. 1 is a perspective view of a watch casing showing my new design;  
FIG. 2 is a perspective view from another angle;  
FIG. 3 is a first end elevational view thereof;  
FIG. 4 is a second end elevational view thereof;  
FIG. 5 is a top plan view thereof;  
FIG. 6 is a bottom plan view thereof;  
FIG. 7 is a right side elevational view thereof; and,  
FIG. 8 is a left side elevational view thereof.  
The broken line showings are environmental only and form no part of the claimed design.

**1 Claim, 2 Drawing Sheets**



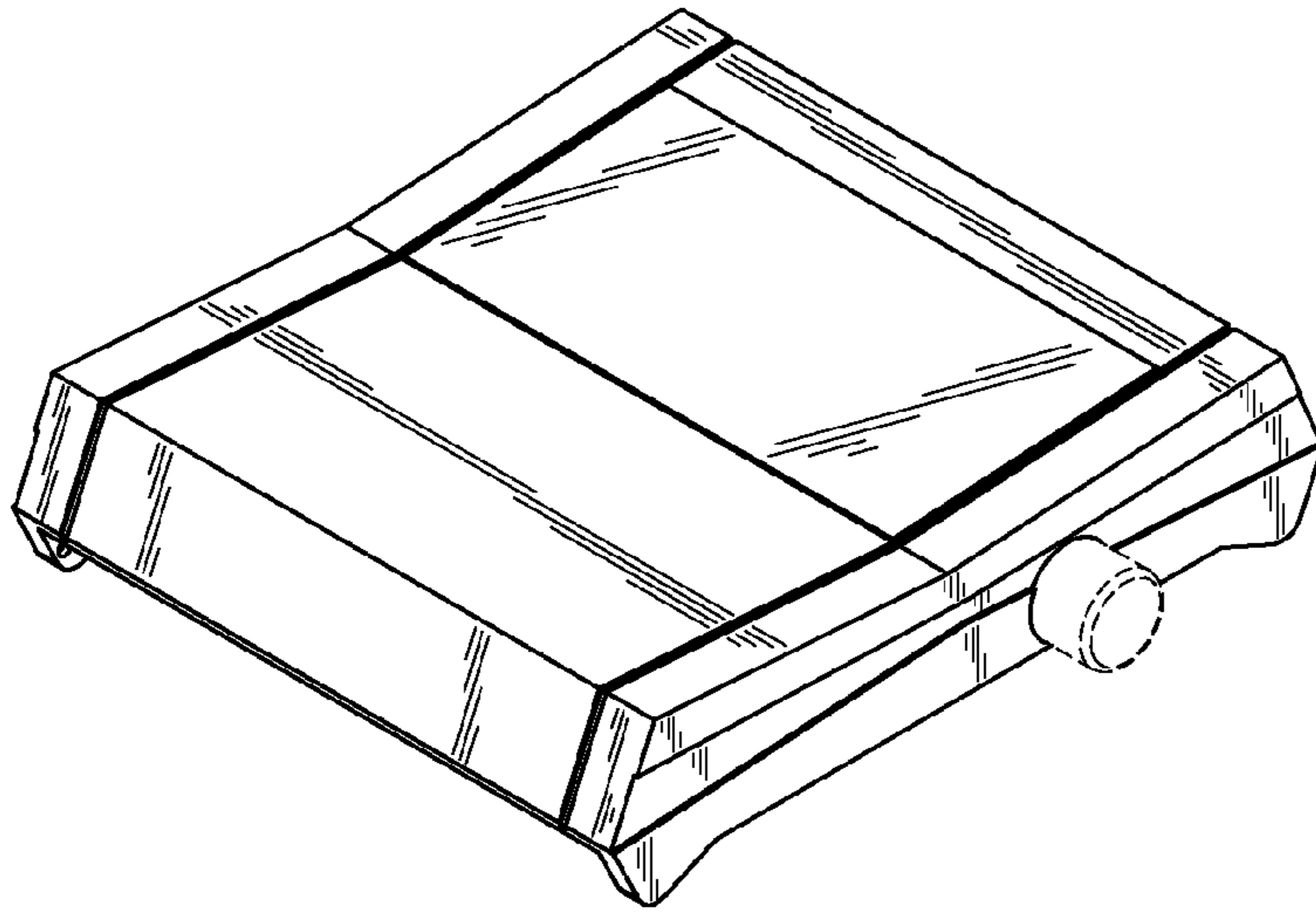


FIG. 1

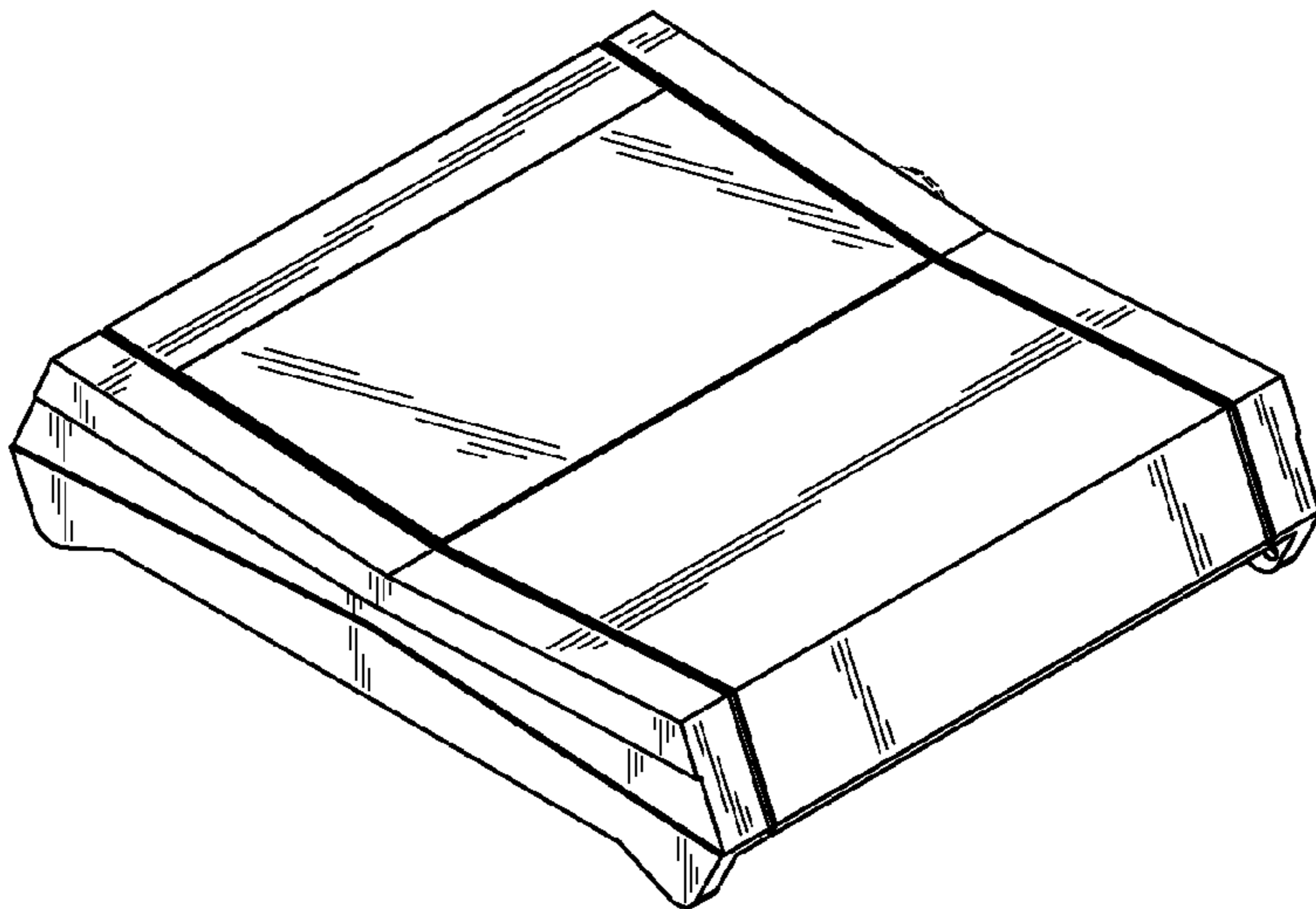


FIG. 2



FIG. 3

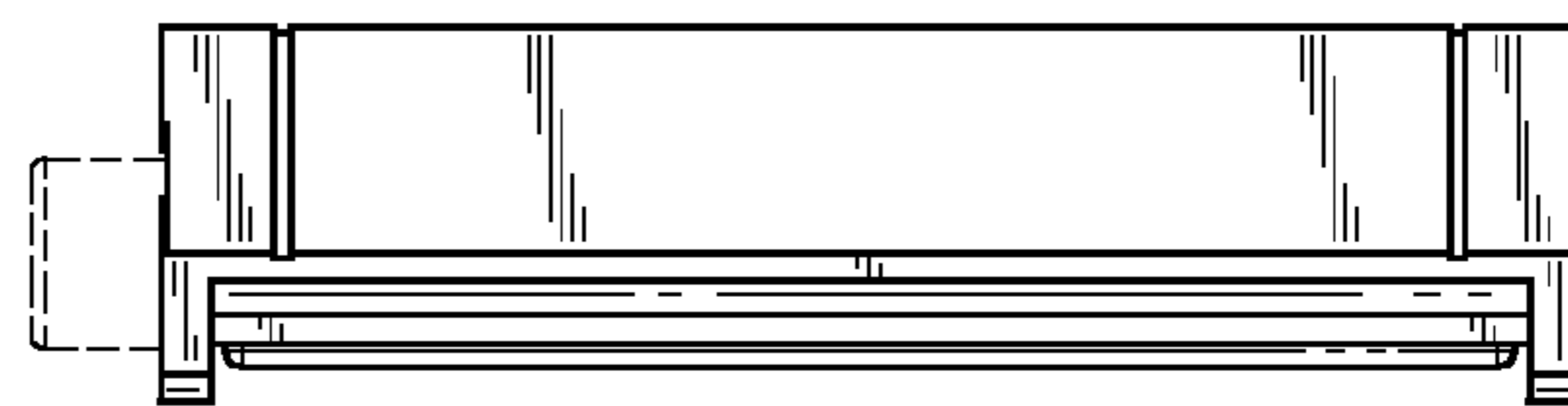


FIG. 4

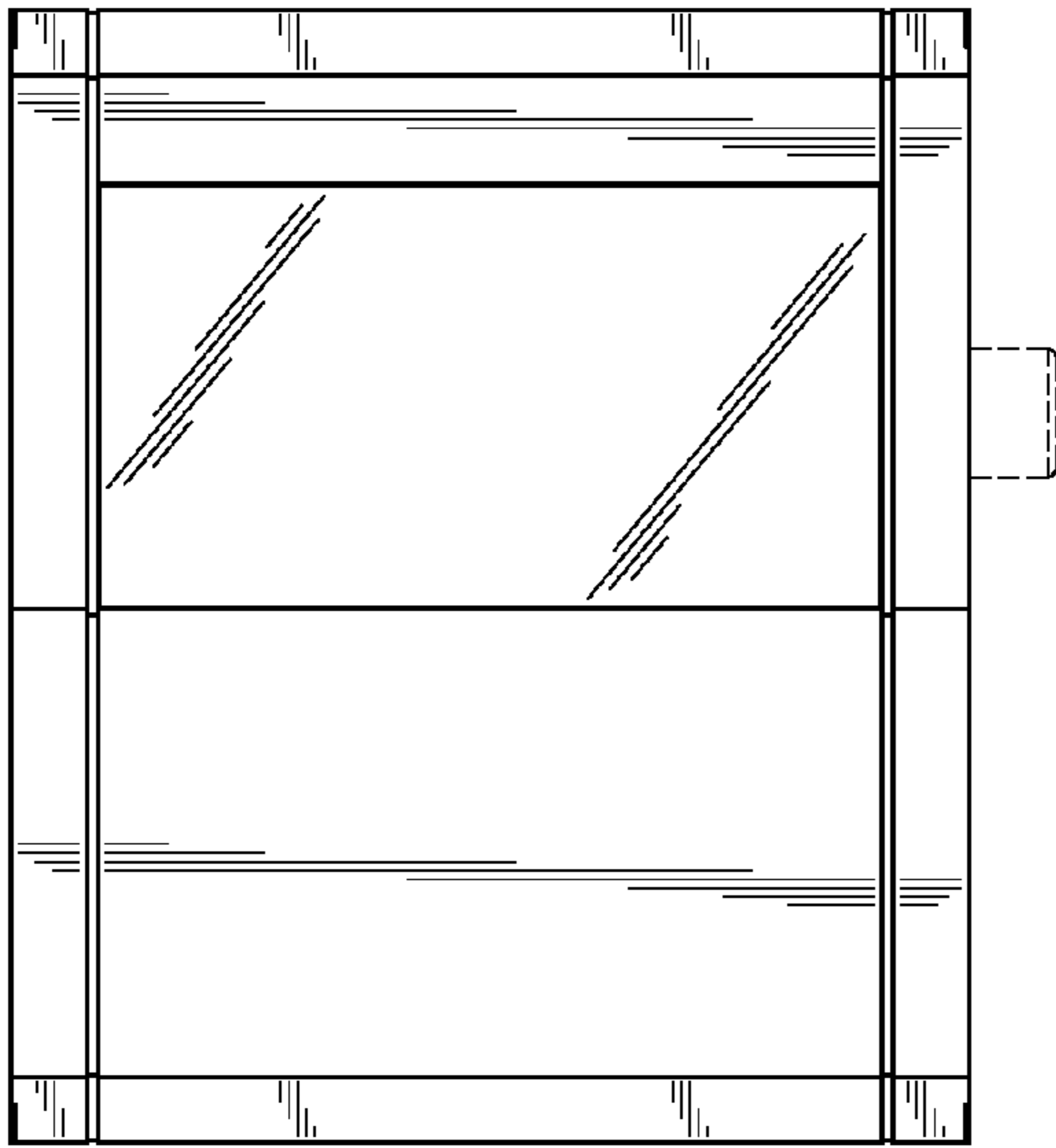


FIG. 5

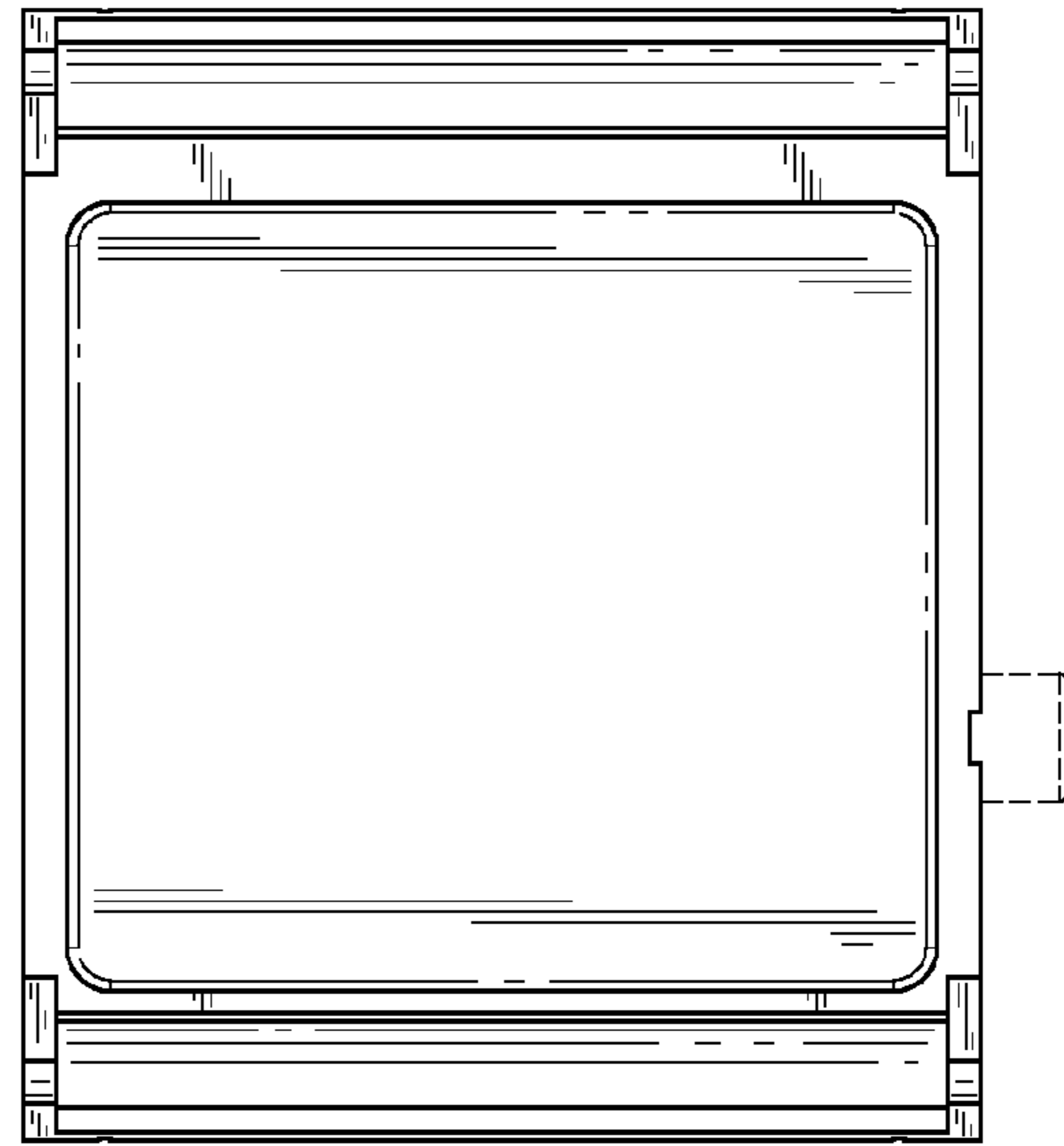


FIG. 6

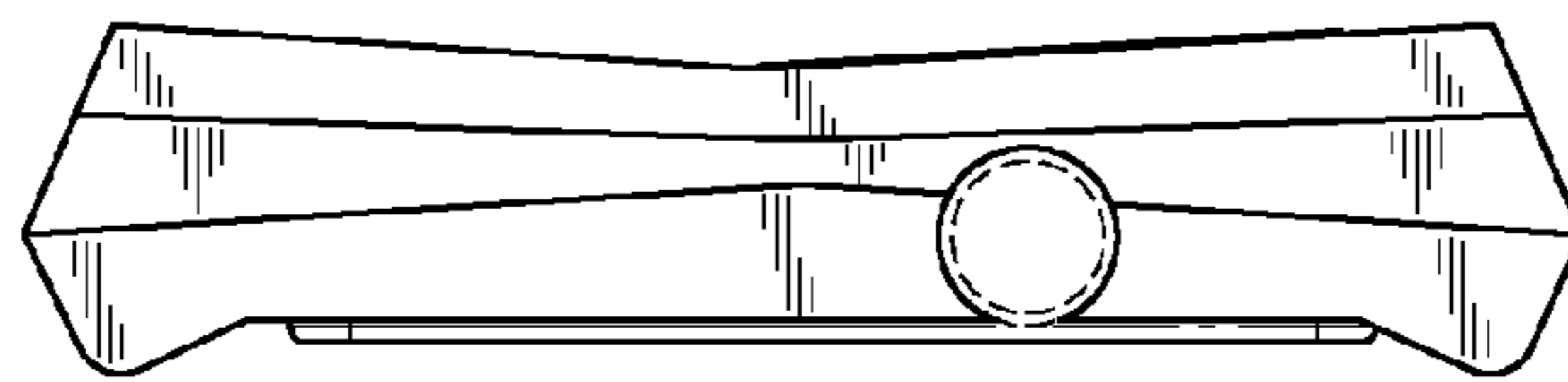


FIG. 7

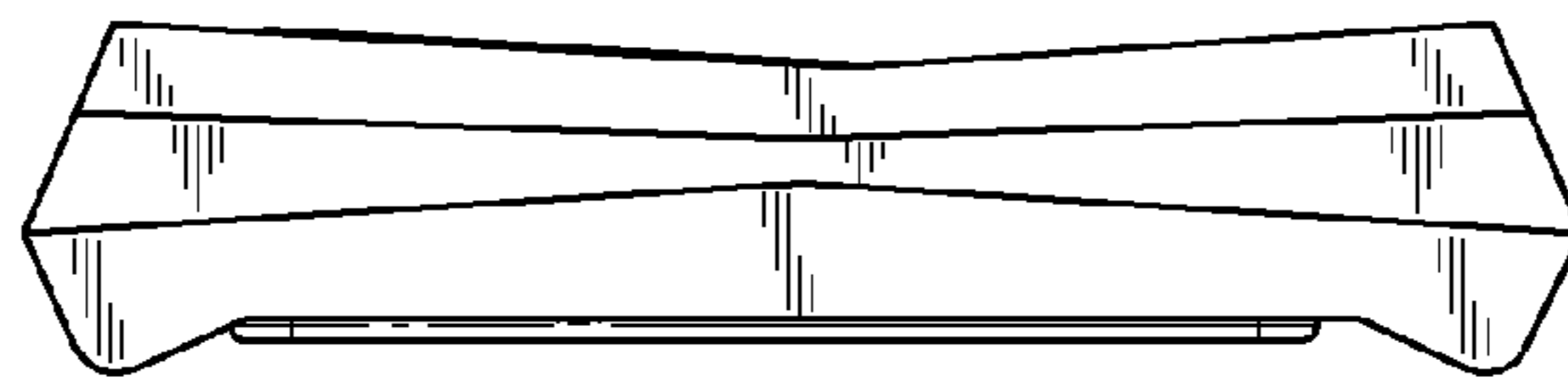


FIG. 8