



US00D670576S

(12) **United States Design Patent**
Armstrong

(10) **Patent No.:** **US D670,576 S**
(45) **Date of Patent:** **** Nov. 13, 2012**

(54) **WATCH CASING**

(75) **Inventor:** **Daniel Armstrong**, Fort Thomas, KY
(US)

(73) **Assignee:** **Timex Group USA, Inc.**, Middlebury,
CT (US)

(**) **Term:** **14 Years**

(21) **Appl. No.:** **29/412,352**

(22) **Filed:** **Feb. 2, 2012**

(51) **LOC (9) Cl.** **10-02**

(52) **U.S. Cl.** **D10/38**

(58) **Field of Classification Search** D10/30-39;
368/276, 281, 282, 285
See application file for complete search history.

D558,067 S * 12/2007 Carbonatto D10/38
D577,611 S * 9/2008 Lalo D10/32
D650,709 S * 12/2011 Duport et al. D10/39

OTHER PUBLICATIONS

<http://www.dunhill.com/en-us/shiponline/lighters—Turbo Diamond Pattern Lighter>.

<http://www.dunhill.com/en-us/shiponline/lighters—Rollagas Ad Vintage Logo>.

<http://watchismo.blogspot.com/2008/11/spaceman-time-continuum-spaceman.html>, pp. 1 and 2 of 12.

* cited by examiner

Primary Examiner — Lucy Lieberman

(74) *Attorney, Agent, or Firm* — Carmody & Torrance, LLP

(57) **CLAIM**

The ornamental design for a watch casing, as shown and described.

(56) **References Cited**

U.S. PATENT DOCUMENTS

3,078,364	A *	2/1963	Neugebauer	362/26
D202,061	S *	8/1965	Caruso	D10/38
3,395,531	A *	8/1968	Caprara	368/291
D225,124	S *	11/1972	Osawa	D10/39
4,218,873	A *	8/1980	Lang	368/281
4,390,288	A *	6/1983	Arnoux	368/276
4,620,798	A *	11/1986	Scarinzi	368/276
D296,676	S *	7/1988	Sakurai	D10/39
D313,941	S *	1/1991	Wakamatsu	D10/38
5,838,642	A *	11/1998	Tully	368/282
6,158,884	A *	12/2000	Lebby et al.	368/282
6,587,400	B1 *	7/2003	Line	368/88
6,779,917	B1 *	8/2004	Chappuis	368/282

DESCRIPTION

FIG. 1 is a perspective view of a watch casing showing my new design;

FIG. 2 is a right side elevational view thereof;

FIG. 3 is a left side elevational view thereof;

FIG. 4 is a first end elevational view thereof;

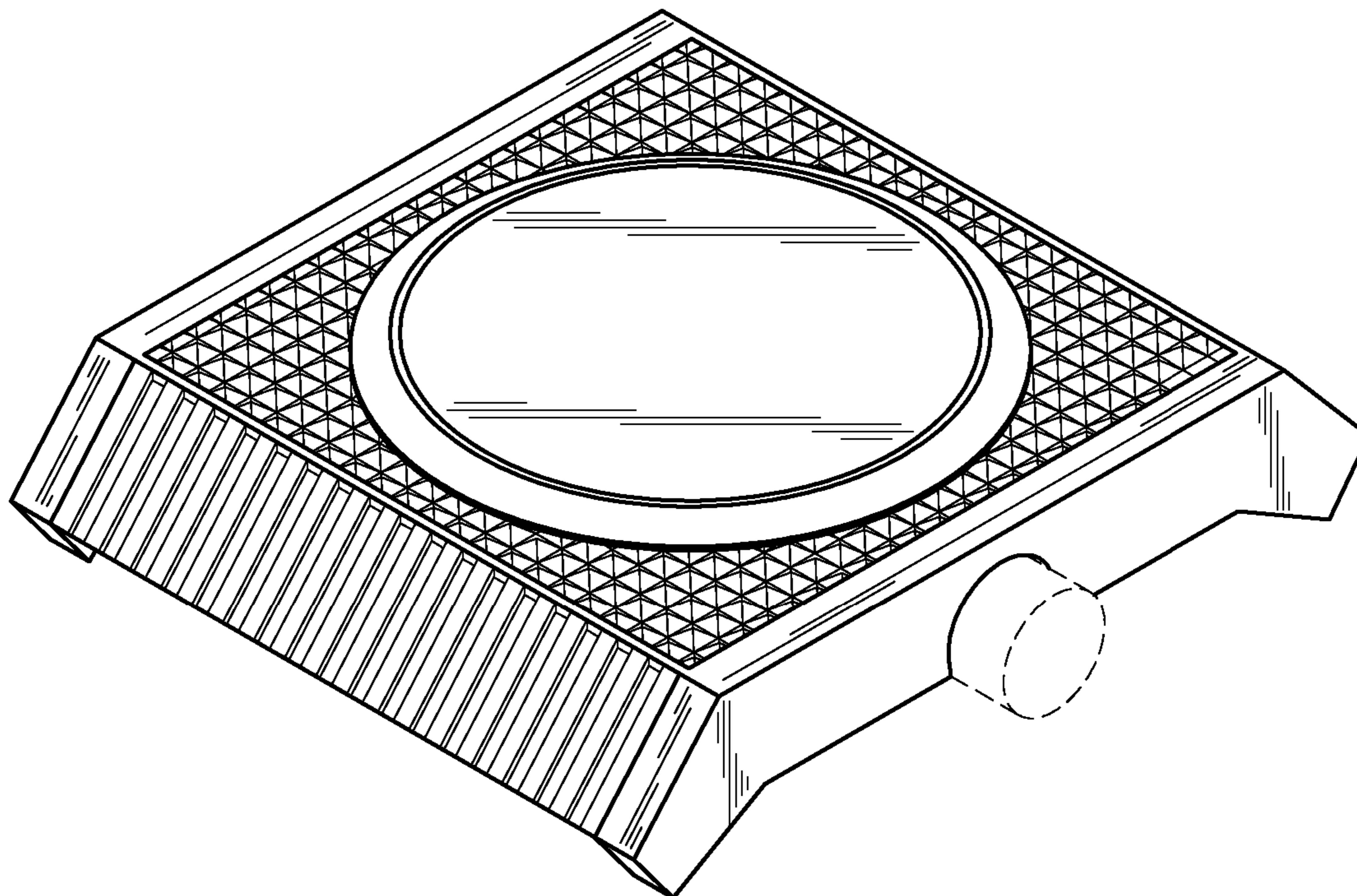
FIG. 5 is a second end elevational view thereof;

FIG. 6 is a top plan view thereof; and,

FIG. 7 is a bottom plan view thereof.

The broken line showings are environmental only and form no part of the claimed design.

1 Claim, 2 Drawing Sheets



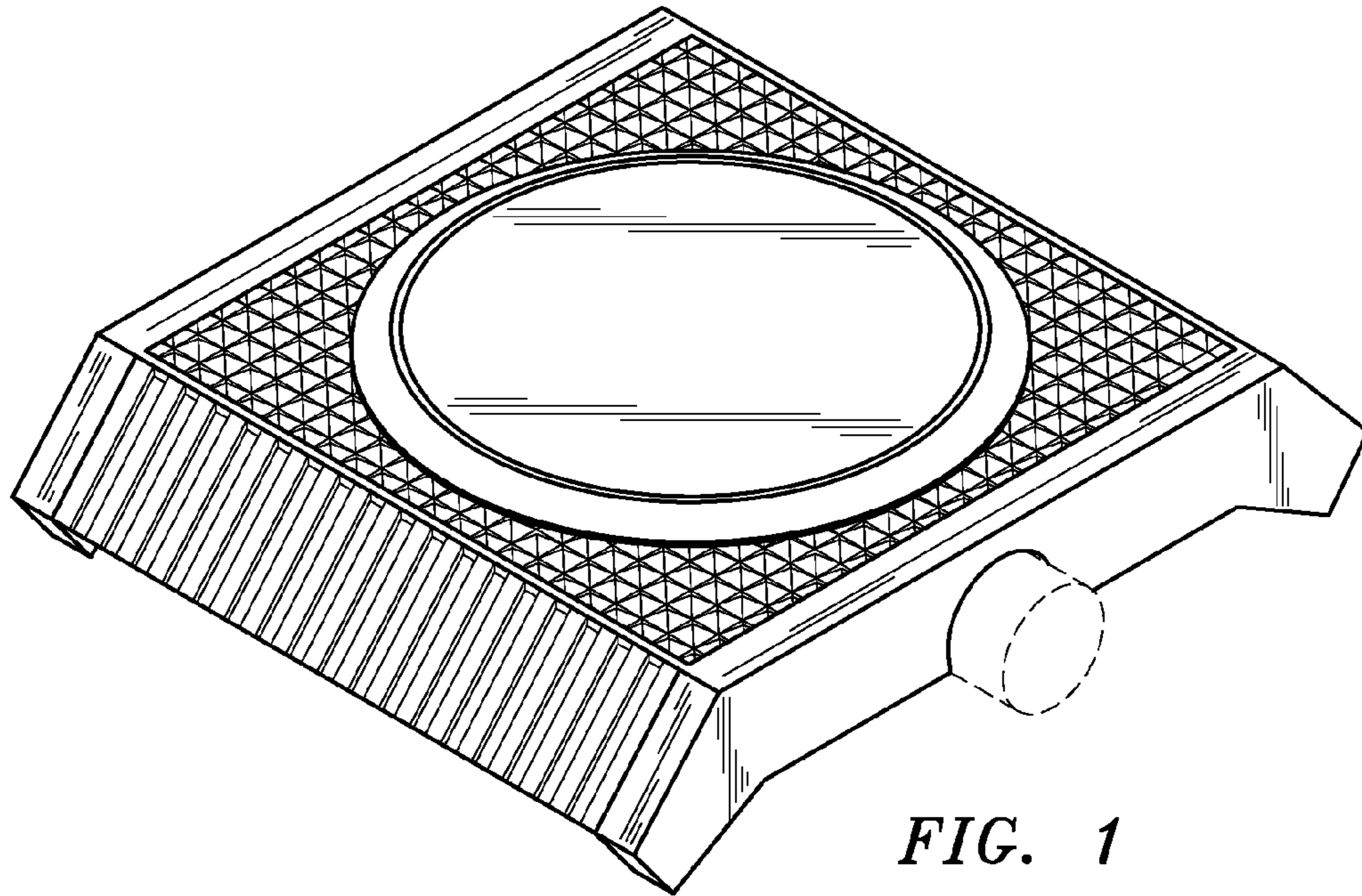


FIG. 1

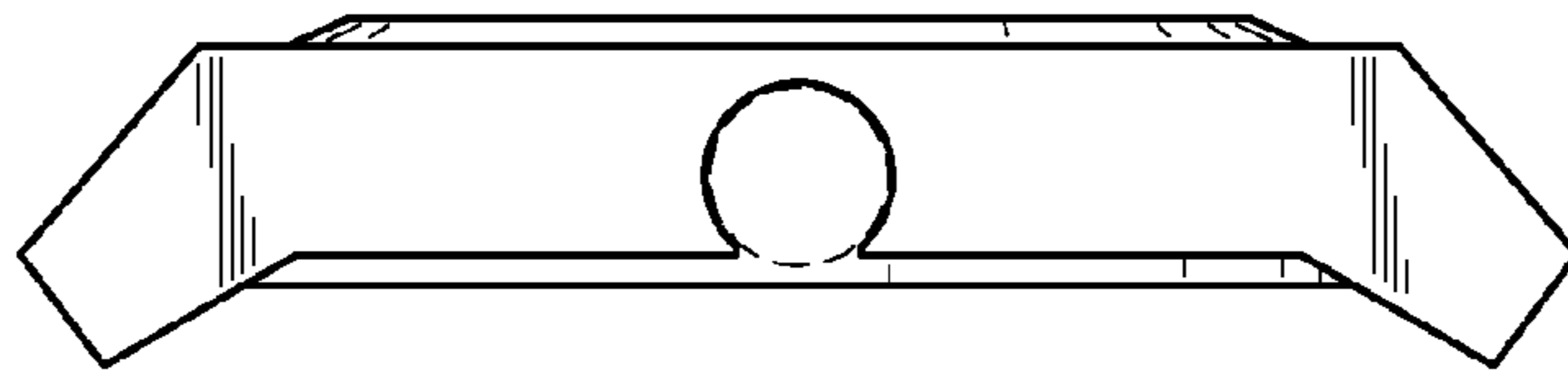


FIG. 2

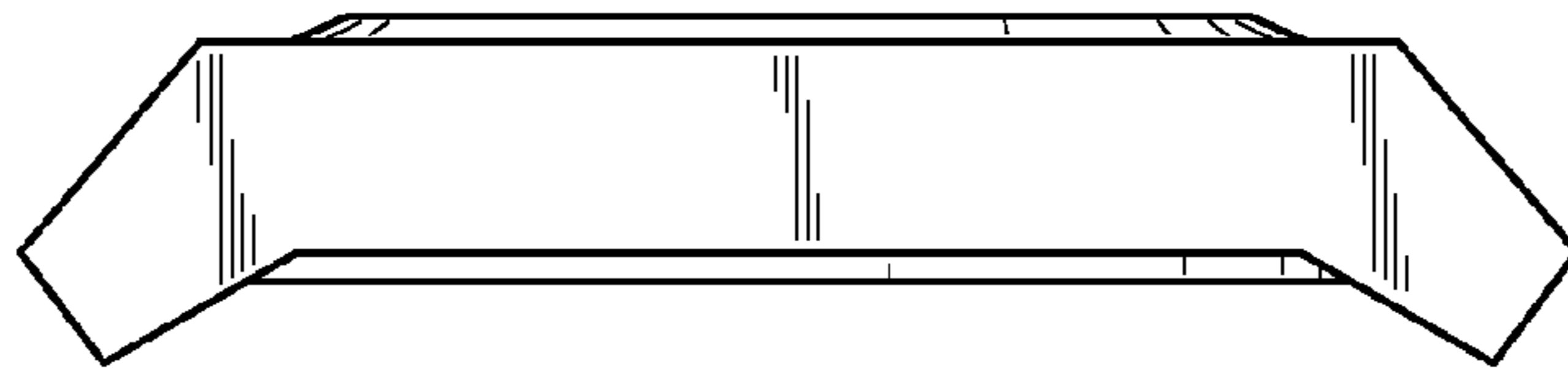


FIG. 3

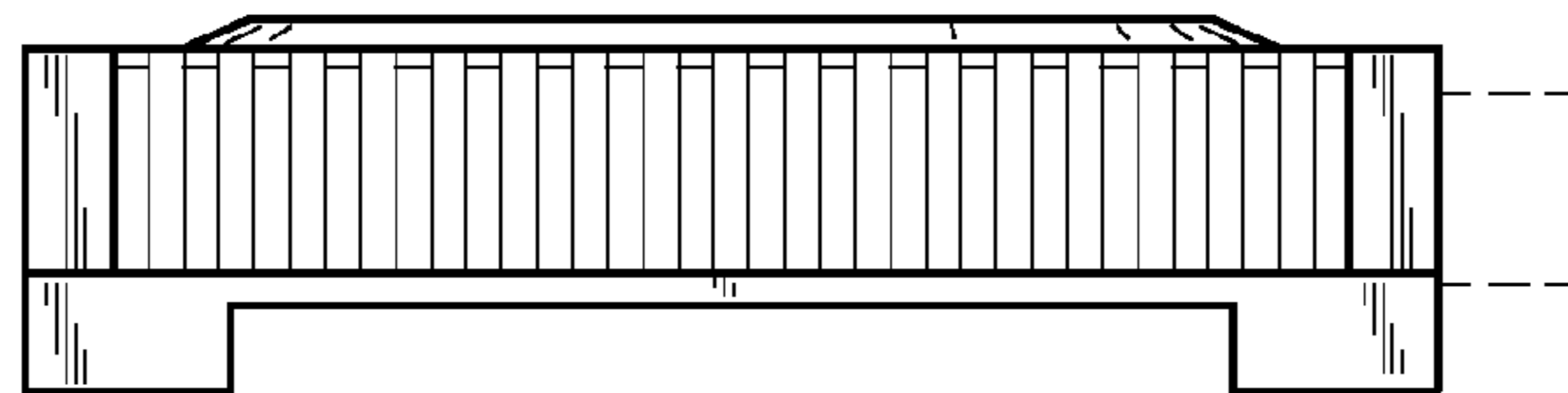


FIG. 4

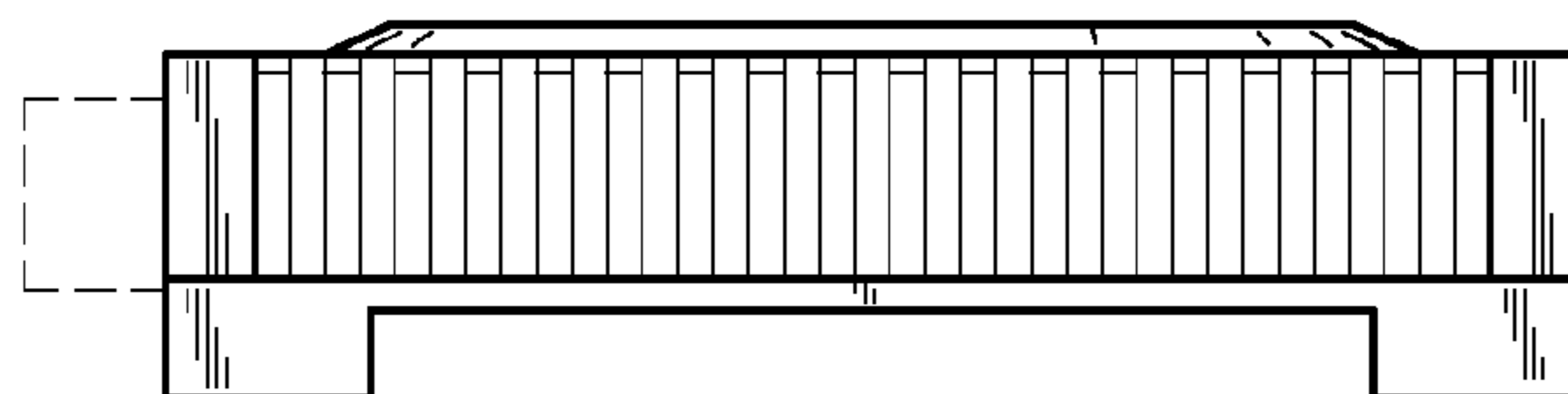


FIG. 5

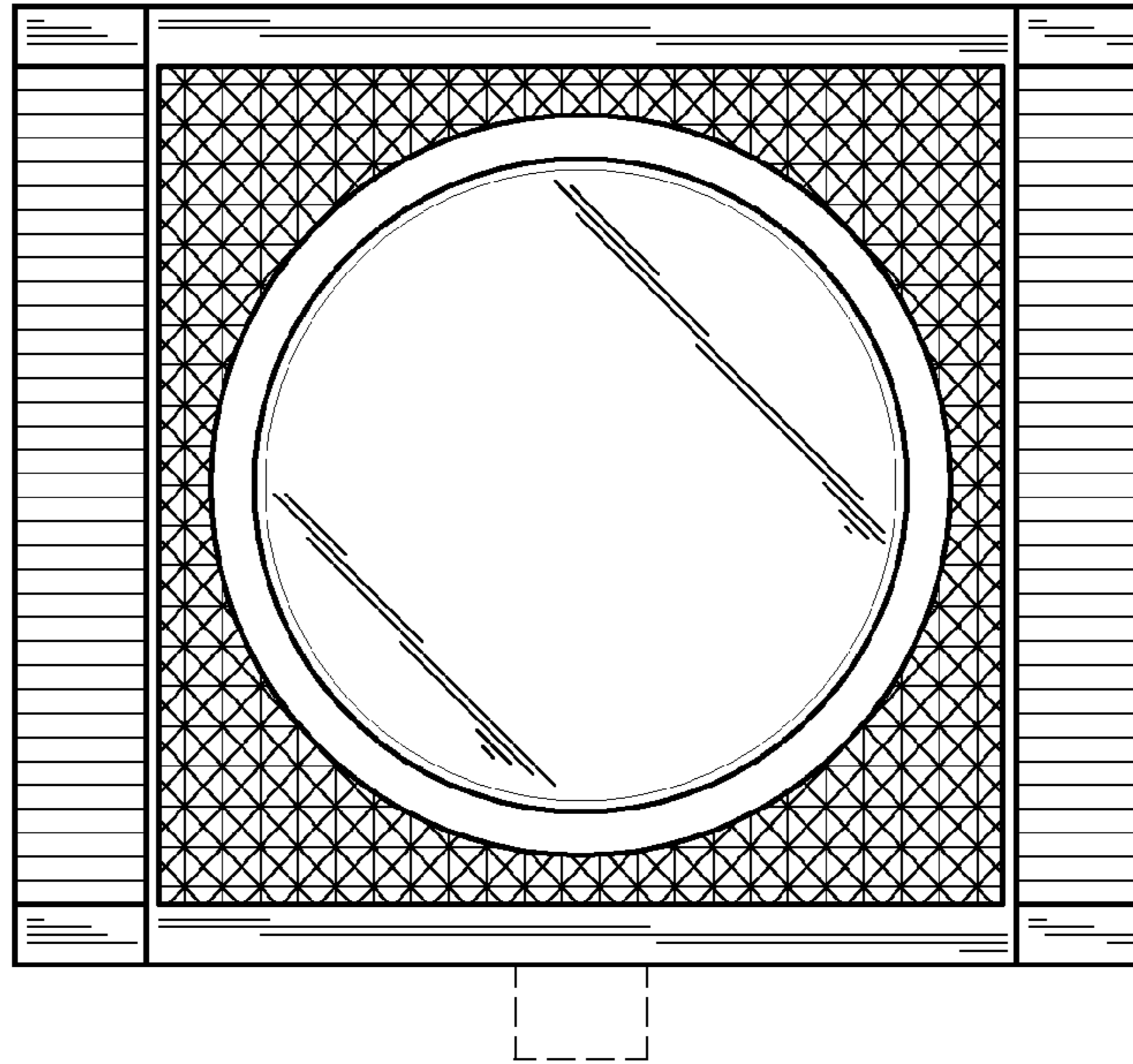


FIG. 6

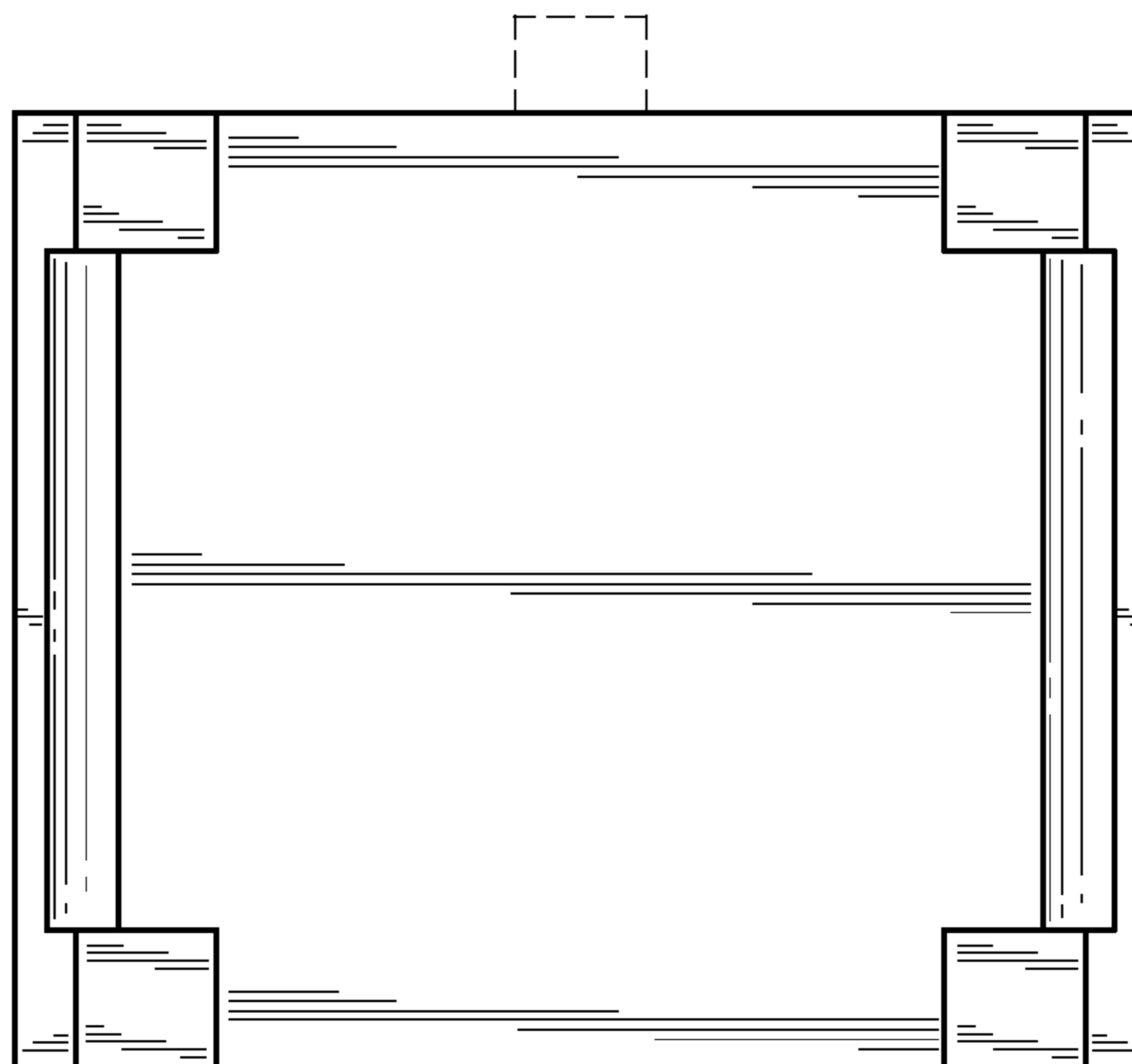


FIG. 7