



US00D670572S

(12) **United States Design Patent**
Bahrami et al.

(10) **Patent No.:** **US D670,572 S**

(45) **Date of Patent:** **** Nov. 13, 2012**

(54) **TOILETRY BOTTLE**

(76) Inventors: **Paul Bahrami**, New Hall, CA (US);
Shehan James, Long Beach, CA (US)

(**) Term: **14 Years**

(21) Appl. No.: **29/422,017**

(22) Filed: **May 15, 2012**

(51) **LOC (9) Cl.** **09-03**

(52) **U.S. Cl.** **D9/697**

(58) **Field of Classification Search** D9/702-714,
D9/695-699, 521, 544, 435, 454, 723-724,
D9/442, 449, 440, 539, 540, 542, 549, 558,
D9/572, 574, 519, 522, 551; 222/92, 107,
222/96, 527-529, 494, 536, 522, 531; D24/114,
D24/119, 207; 206/438; D28/7, 76, 82;
220/DIG. 7

See application file for complete search history.

(56) **References Cited**

U.S. PATENT DOCUMENTS

D312,405 S *	11/1990	Kenyon, Jr.	D9/697
D325,339 S *	4/1992	Jones	D9/697
D459,212 S *	6/2002	Gobe	D9/697
D488,059 S *	4/2004	Mounier	D9/697
D547,672 S *	7/2007	Penfold et al.	D9/697
D559,703 S *	1/2008	Egawa	D9/697
D568,171 S *	5/2008	Kawashima	D9/699
D587,128 S *	2/2009	Swanson et al.	D9/698
D626,860 S *	11/2010	Oates et al.	D9/699

D648,224 S *	11/2011	Spence	D9/695
D649,066 S *	11/2011	Arinsmier et al.	D9/697
D659,013 S *	5/2012	Agudelo	D9/695

* cited by examiner

Primary Examiner — Caron D Veynar

Assistant Examiner — Abraham Bahta

(74) *Attorney, Agent, or Firm* — Omni Legal Group; Omid E. Khalifeh

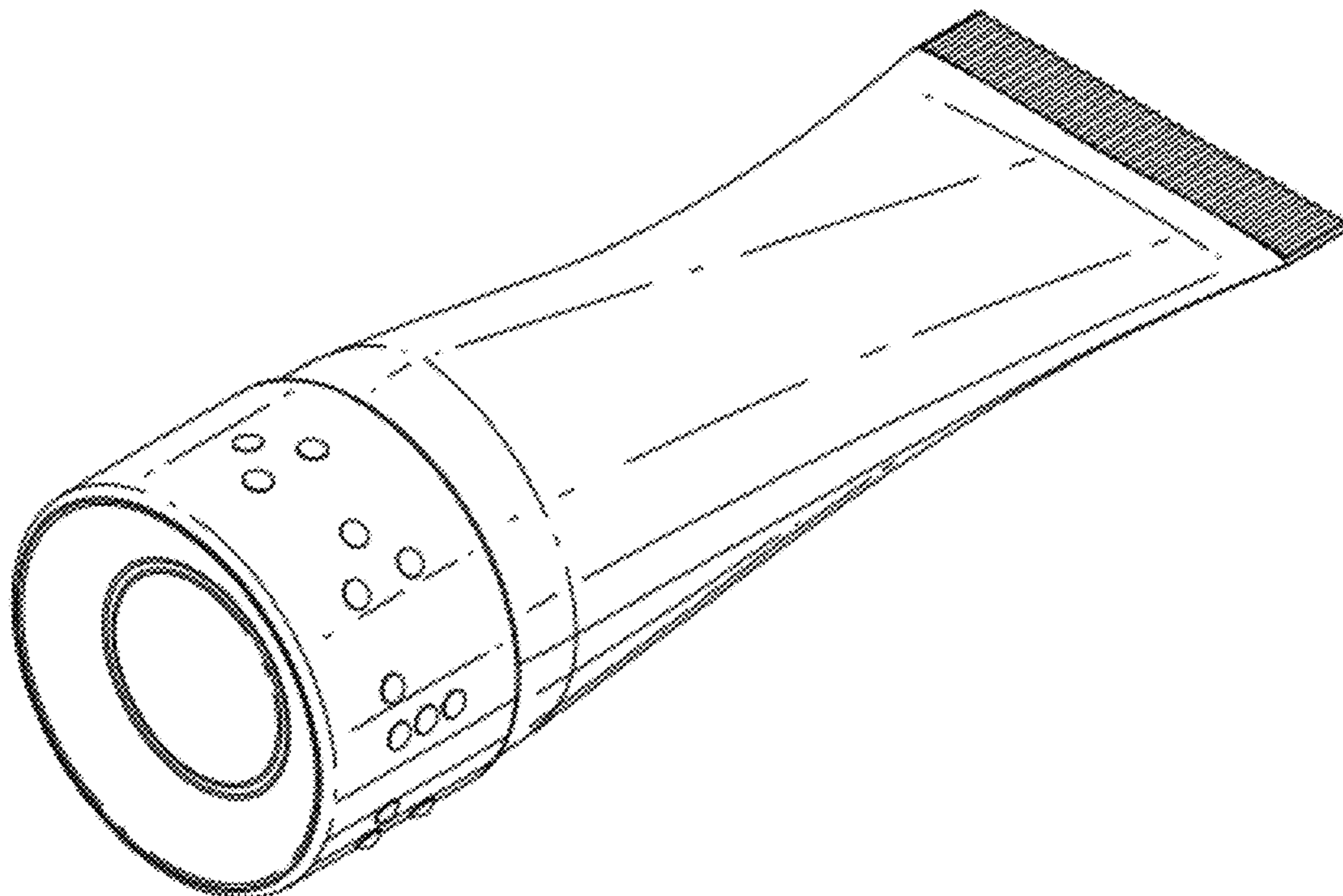
(57) **CLAIM**

The ornamental design for a toiletry bottle, as shown and described.

DESCRIPTION

FIG. 1 is a perspective view of a toiletry bottle according to the present invention;
FIG. 2 is a front view of a toiletry bottle according to the present invention;
FIG. 3 is a rear view of a toiletry bottle according to the present invention;
FIG. 4 is a profile view of a toiletry bottle according to the present invention;
FIG. 5 is a second profile view of a toiletry bottle according to the present invention;
FIG. 6 is a bottom view of a toiletry bottle according to the present invention; and,
FIG. 7 is a top view of a toiletry bottle according to the present invention.

1 Claim, 4 Drawing Sheets



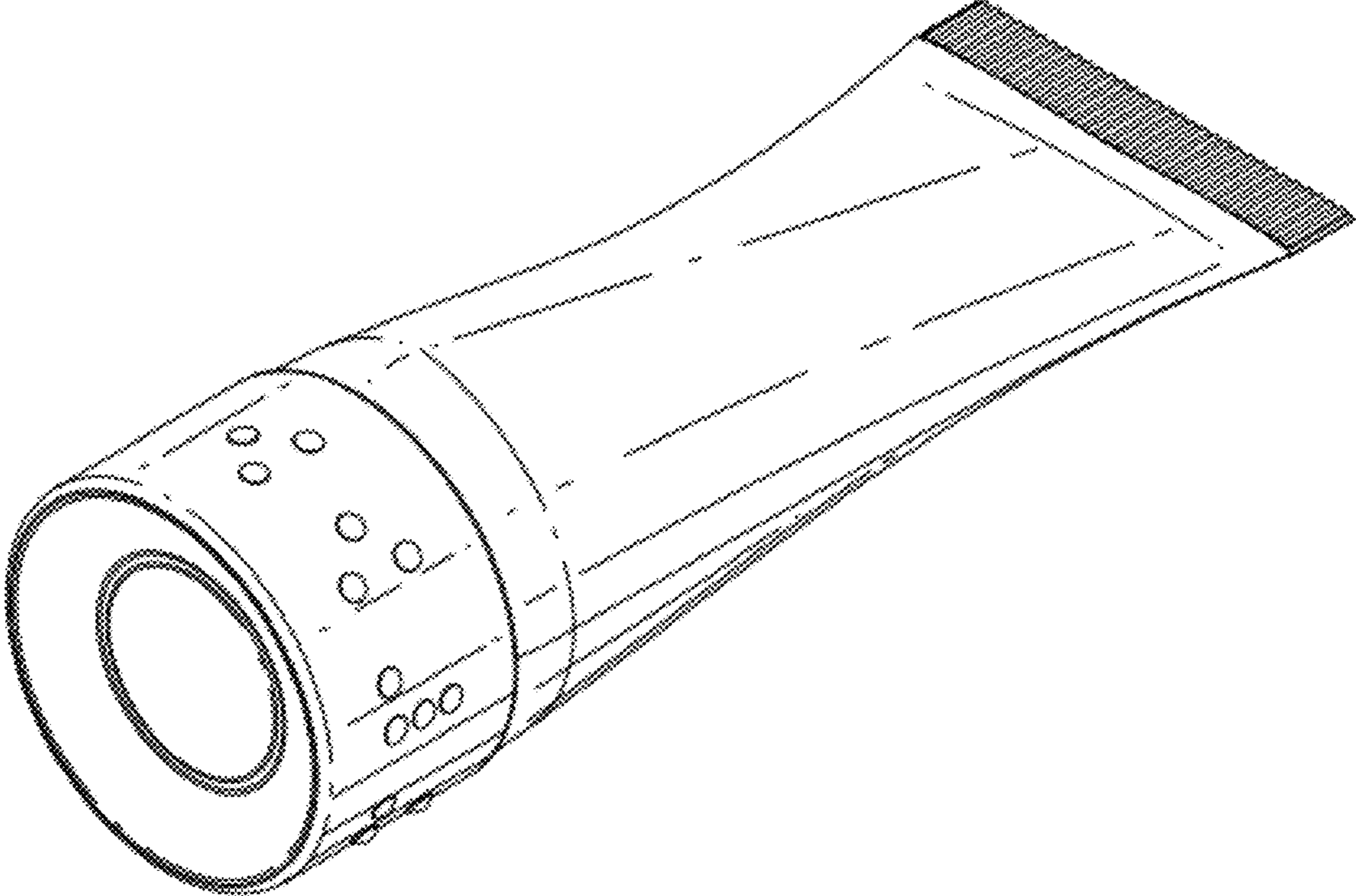


FIG. 1

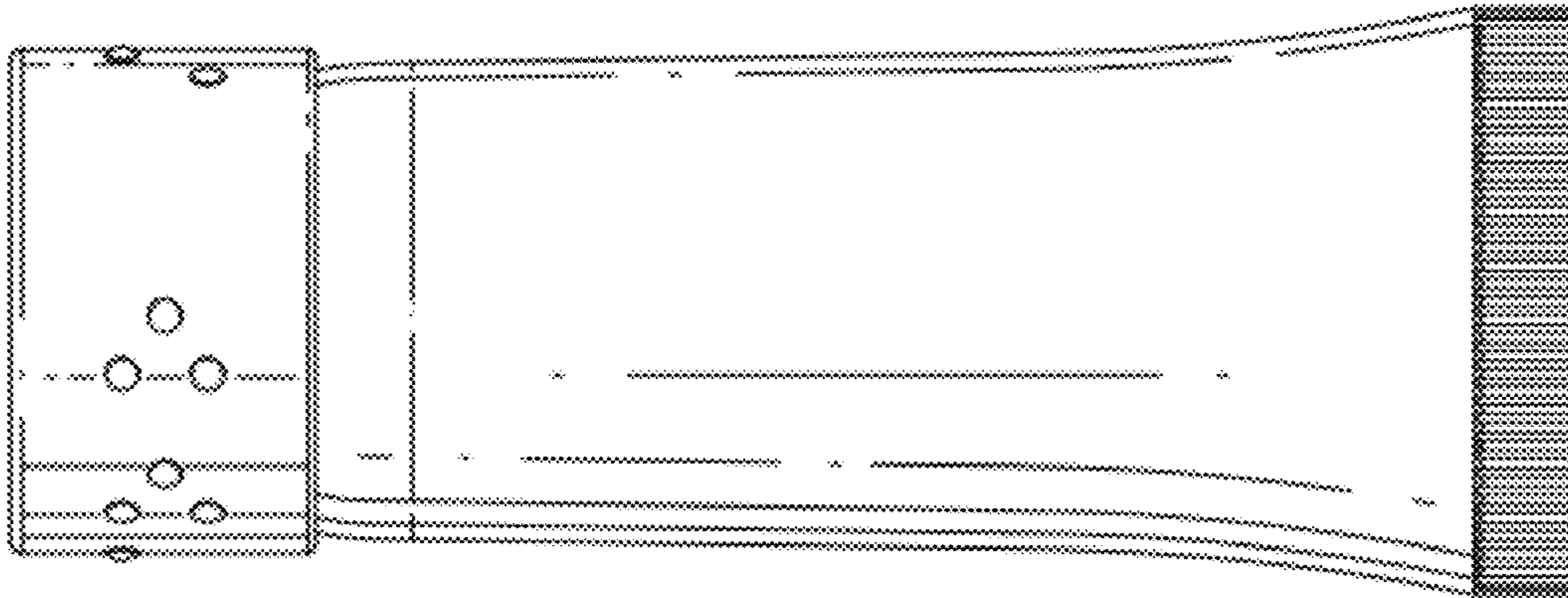


FIG. 2

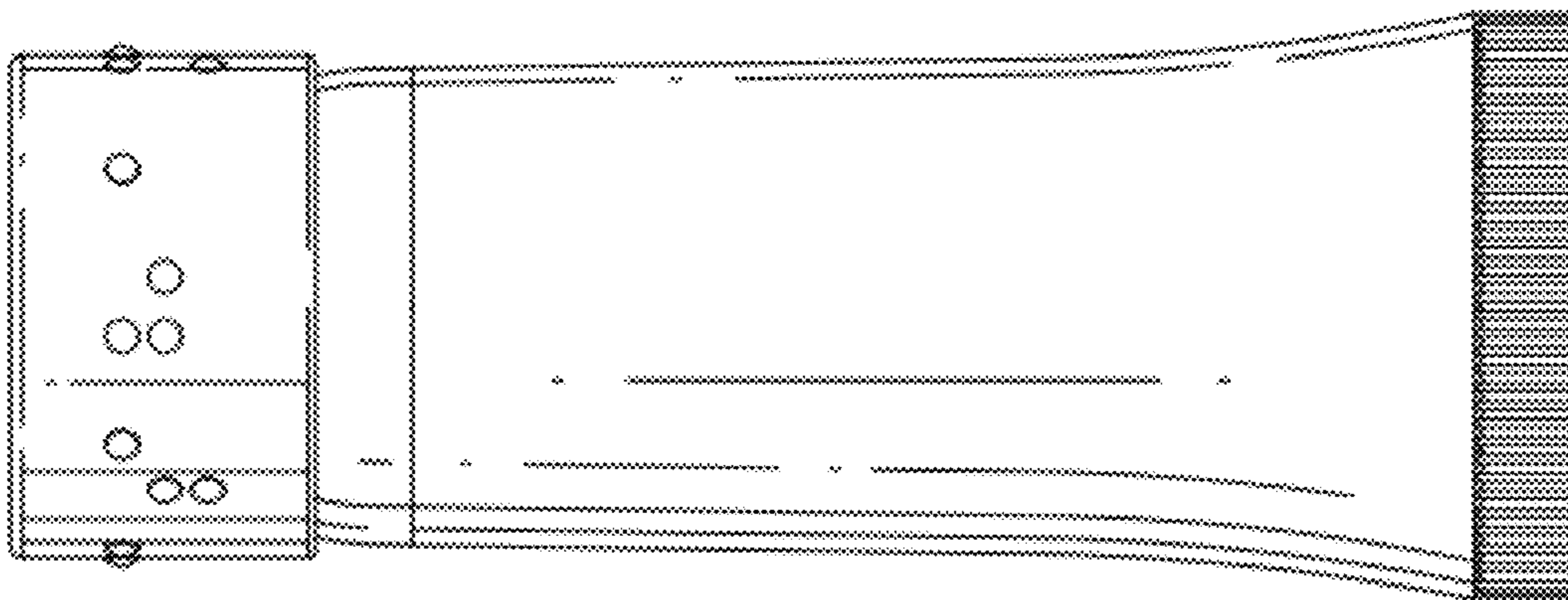


FIG. 3

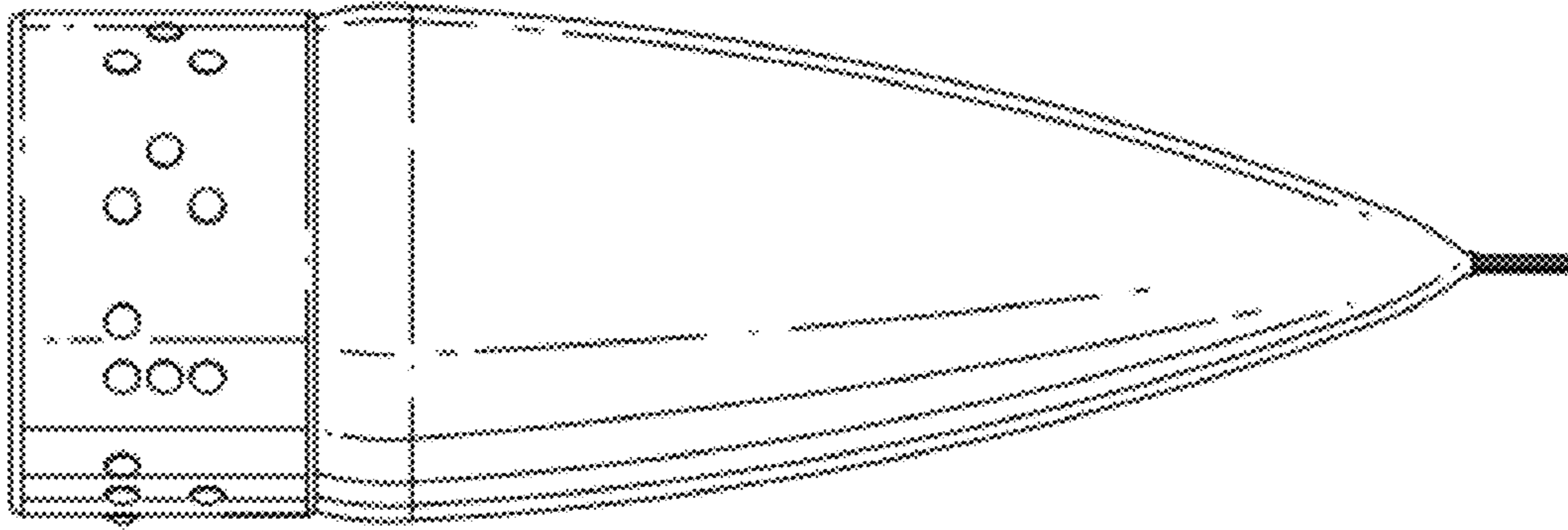


FIG. 4

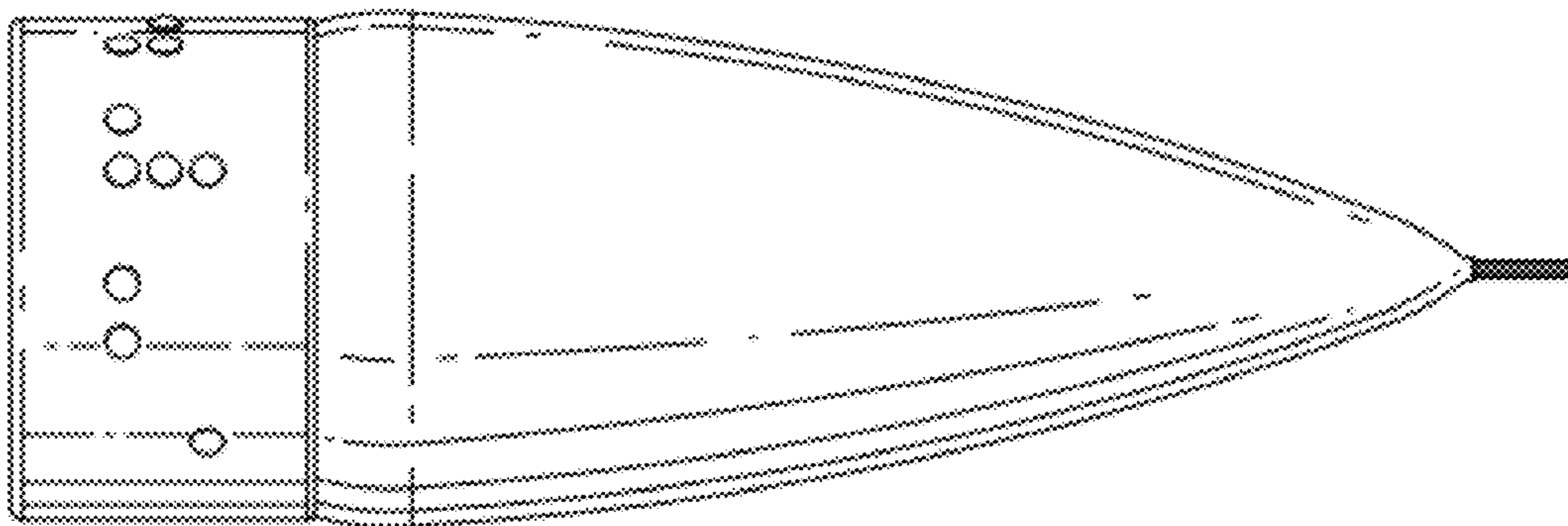


FIG. 5

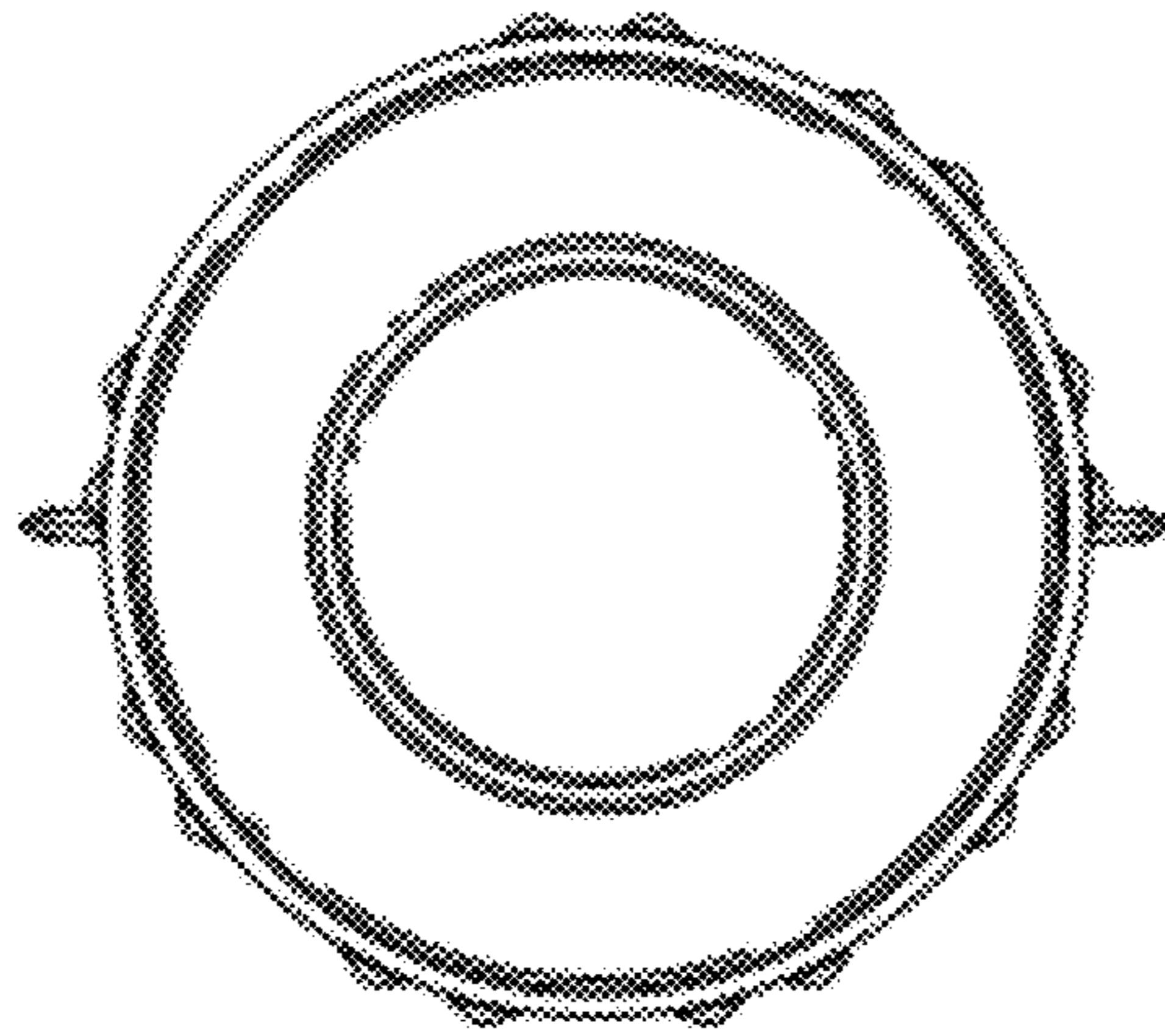


FIG. 6

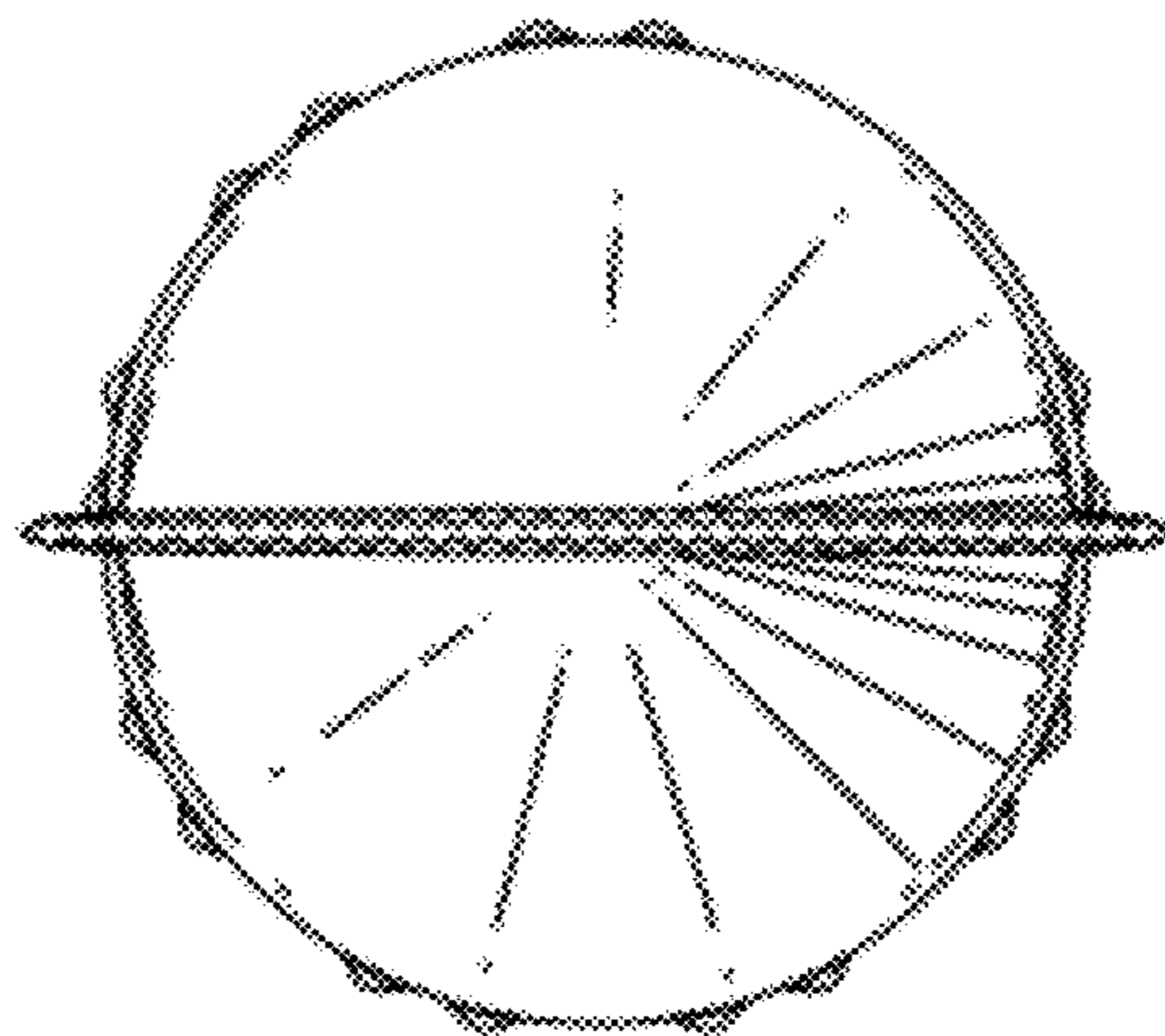


FIG. 7