



US00D670569S

(12) **United States Design Patent**
Siegel

(10) **Patent No.:** **US D670,569 S**

(45) **Date of Patent:** **** Nov. 13, 2012**

(54) **FOOD CONTAINER**

(75) Inventor: **Cynthia Lynn Siegel**, Pleasant Hill, CA
(US)

(73) Assignee: **Cynthia Lynn Siegel**, Concord, CA
(US)

(**) Term: **14 Years**

(21) Appl. No.: **29/374,445**

(22) Filed: **Aug. 13, 2011**

(51) **LOC (9) Cl.** **07-07**

(52) **U.S. Cl.** **D9/629**

(58) **Field of Classification Search** D7/601,
D7/602, 629, 630, 538-542; D3/281, 282,
D3/294, 304, 307, 201-206, 273, 274; D9/424-432;
220/669-673, 675, 574-575, 573.1, 660,
220/260, 288, 780-806, 4.21, 4.24, 326,
220/236, 6, 23.83; 229/107, 120, 406, 125.17;
211/10, 11, 45, 50, 55; D19/65, 75, 86, 90;
D6/634

See application file for complete search history.

(56) **References Cited**

U.S. PATENT DOCUMENTS

D262,839 S * 2/1982 Daenen et al. D3/302
D302,774 S * 8/1989 Murphy D7/629
D328,425 S * 8/1992 Brightbill D3/282
D389,307 S * 1/1998 Zimmerman D3/273

D480,759 S * 10/2003 Heimbecher D19/90
D525,656 S * 7/2006 Yoshikawa D19/75
D597,383 S * 8/2009 Masterton et al. D7/629

* cited by examiner

Primary Examiner — Terry Wallace

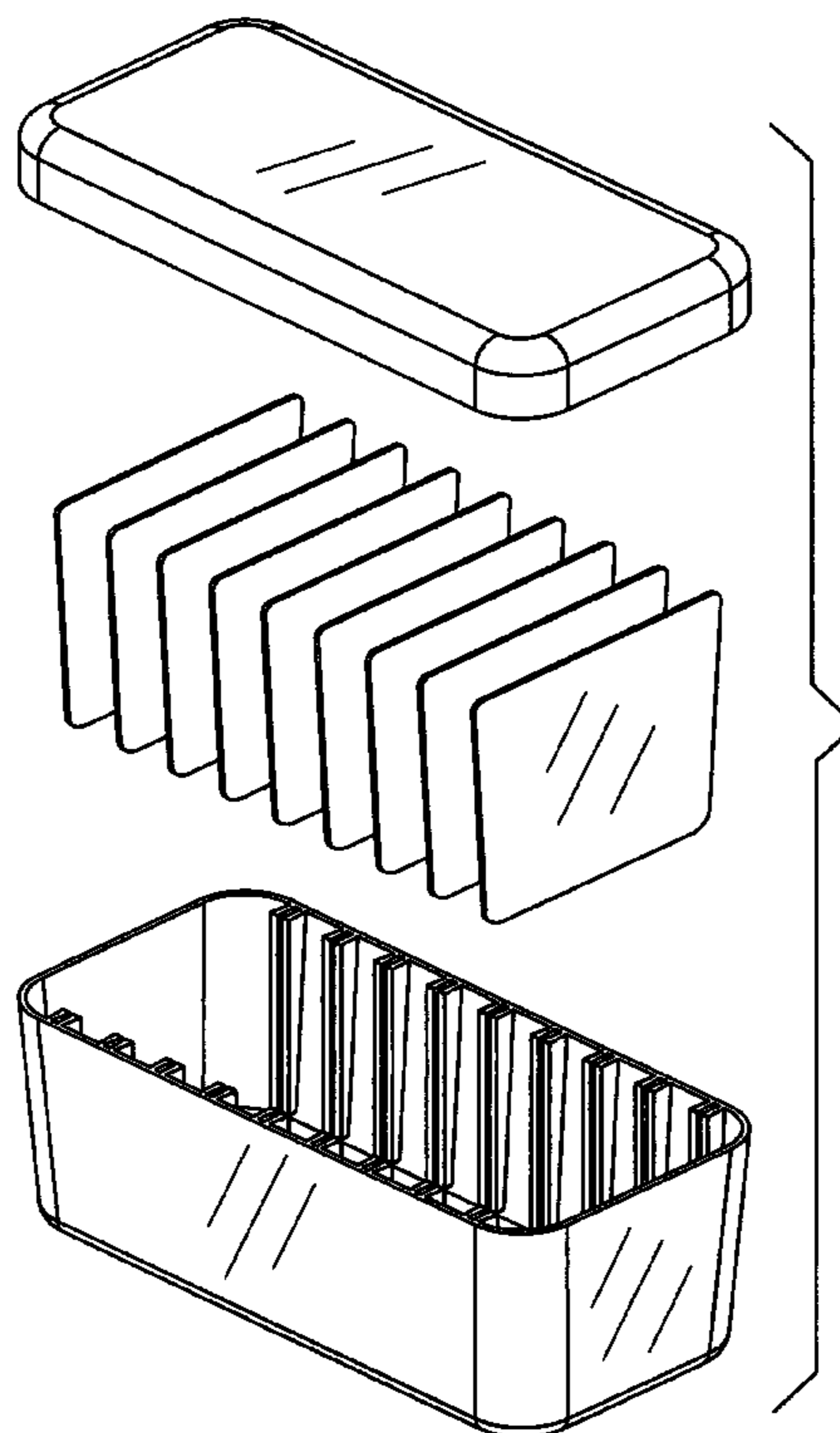
(57) **CLAIM**

The ornamental design for a food container, as shown and described.

DESCRIPTION

FIG. 1 is an exploded top perspective view of a food container with removable dividers;
FIG. 2 is an exploded bottom perspective view thereof;
FIG. 3 is a right side elevational view of a cover thereof, the left side elevational view being a mirror image thereof;
FIG. 4 is a front elevational view of a cover thereof, the rear elevational view being a mirror image thereof;
FIG. 5 is a front elevational view of the dividers thereof, the rear elevational view being a mirror image thereof;
FIG. 6 is a side side elevational view of the dividers thereof, the left side elevational view being a mirror image thereof;
FIG. 7 is a right side elevational view of a container thereof, the left side elevational view being a mirror image thereof;
FIG. 8 is a front elevational view of a container thereof, the rear elevational view being a mirror image thereof;
FIG. 9 is a top plan view of a container thereof;
FIG. 10 is a bottom plan view of a container thereof;
FIG. 11 is a top plan view of the dividers thereof;
FIG. 12 is a bottom plan view of the dividers thereof;
FIG. 13 is a top plan view of a cover thereof; and,
FIG. 14 is a bottom plan view of a cover thereof.

1 Claim, 5 Drawing Sheets



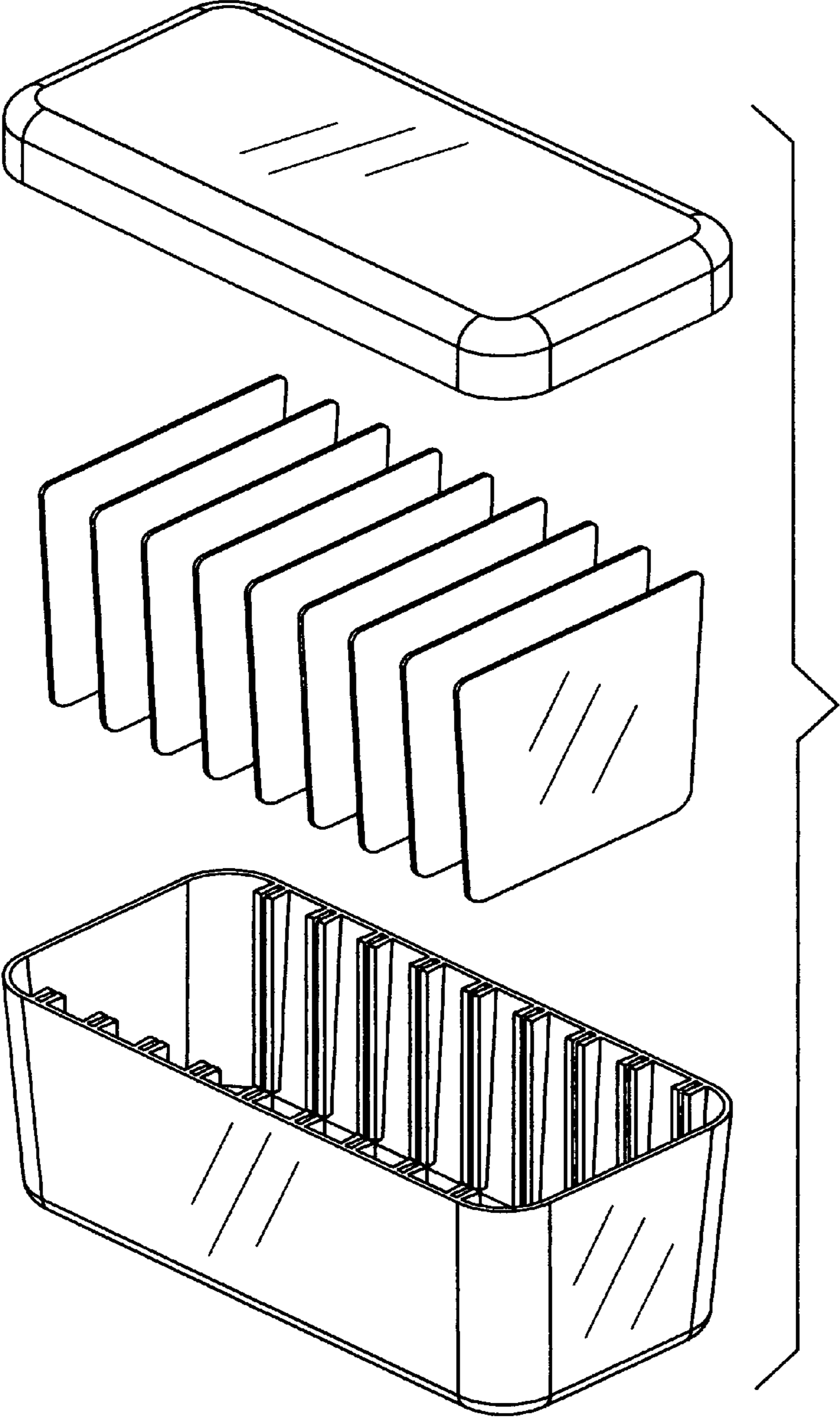


FIG. 1

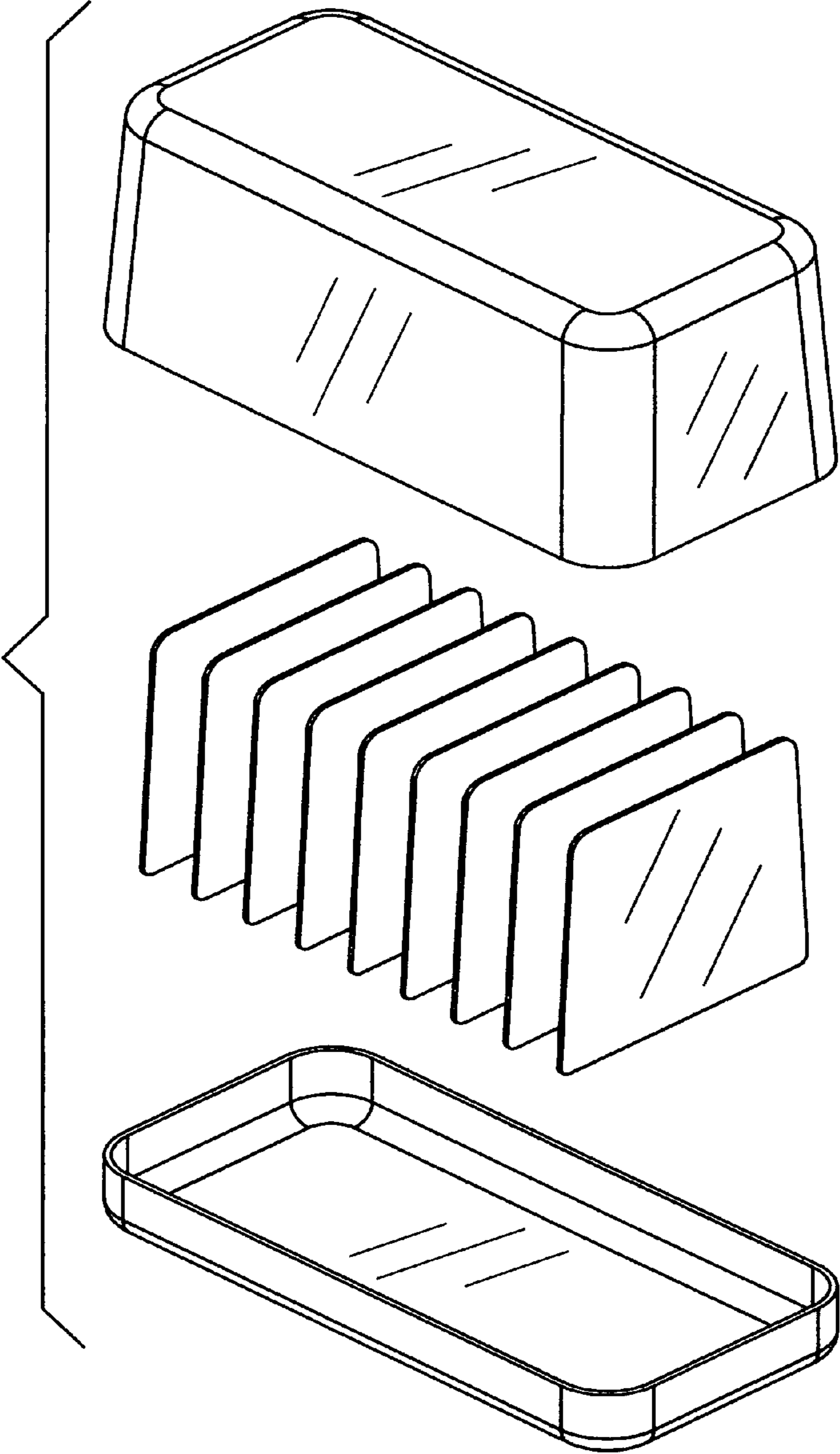


FIG. 2

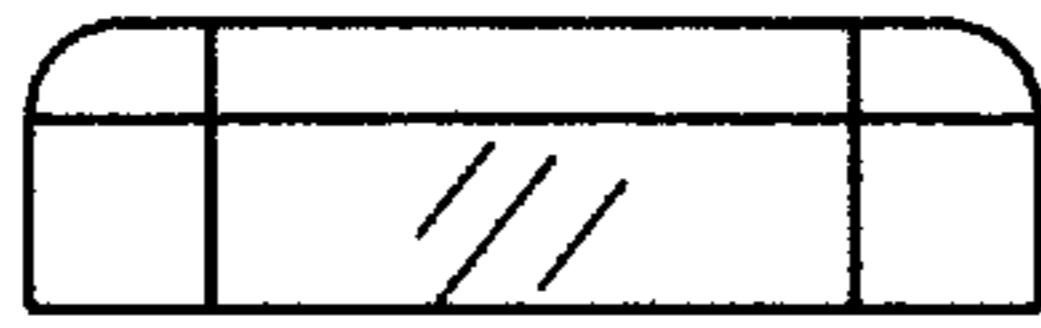


FIG. 3

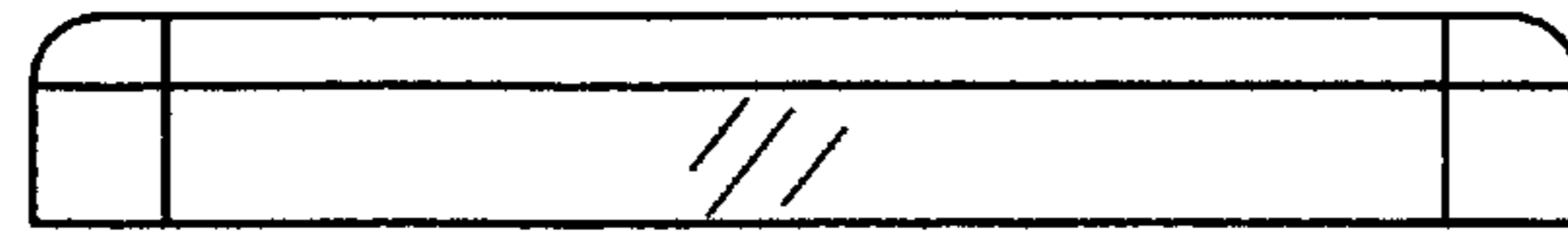


FIG. 4

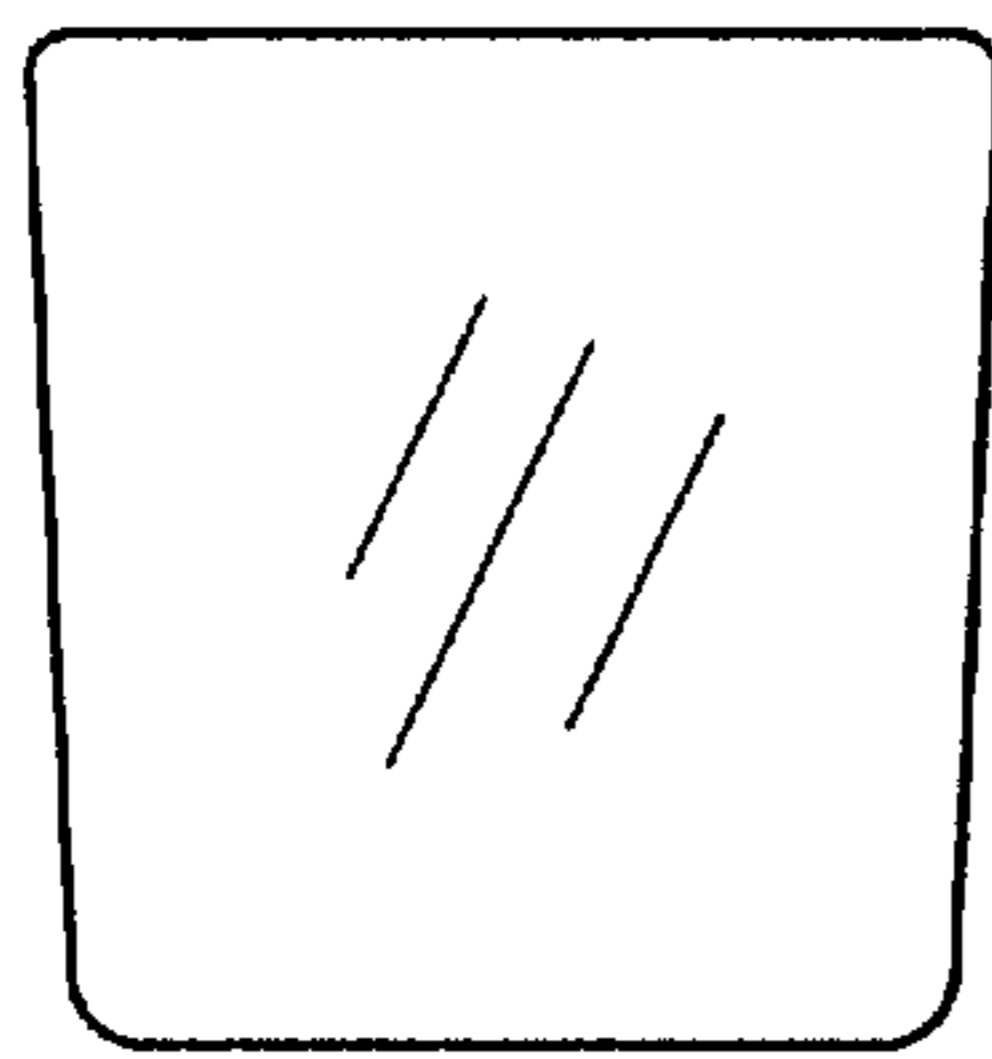


FIG. 5

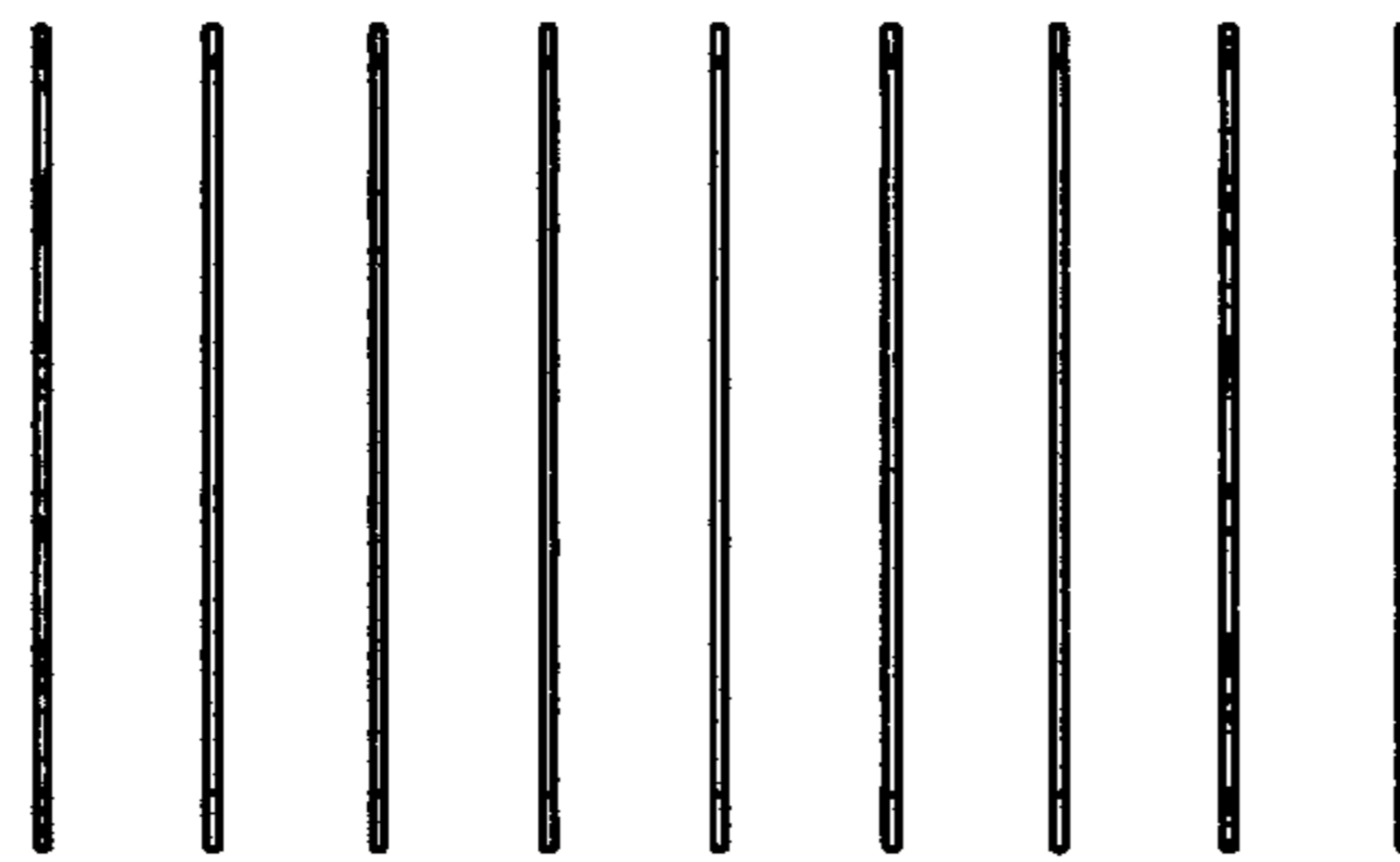


FIG. 6

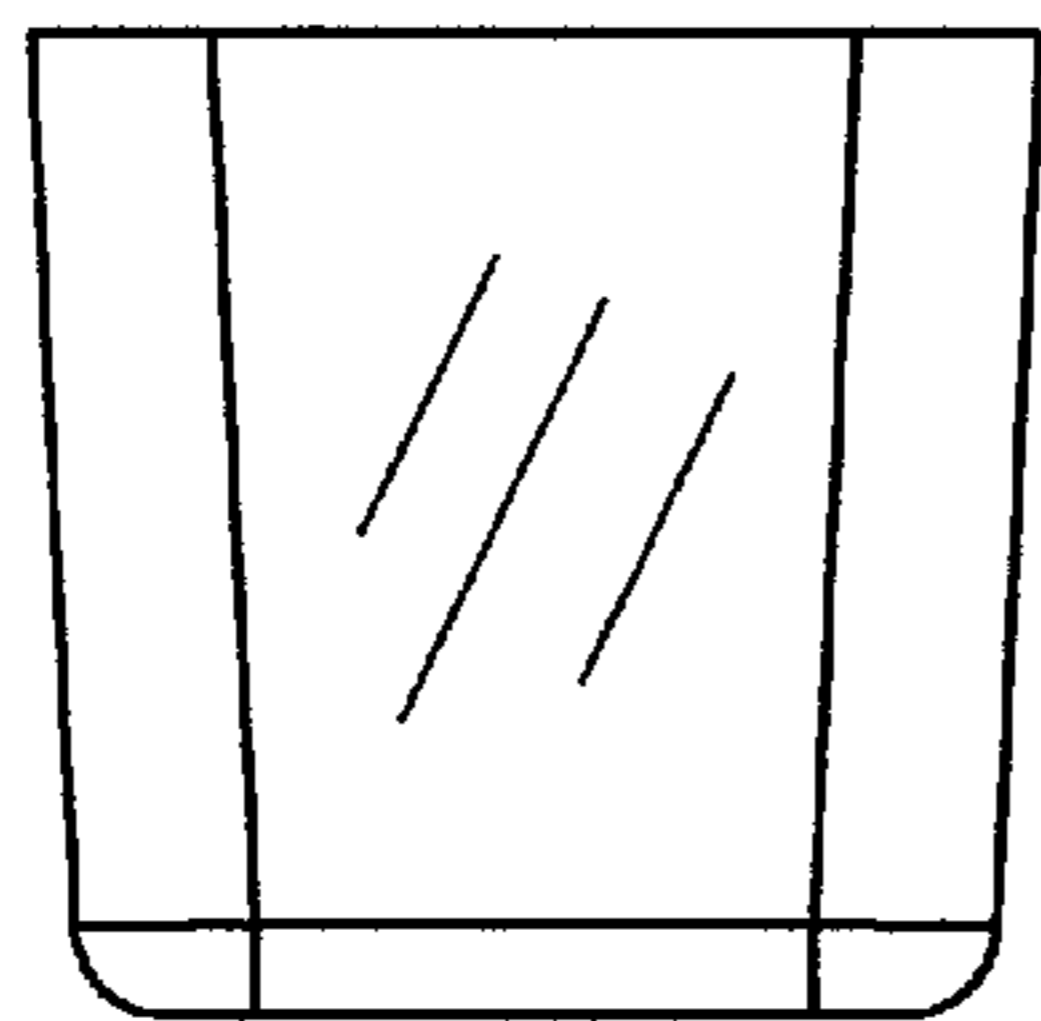


FIG. 7

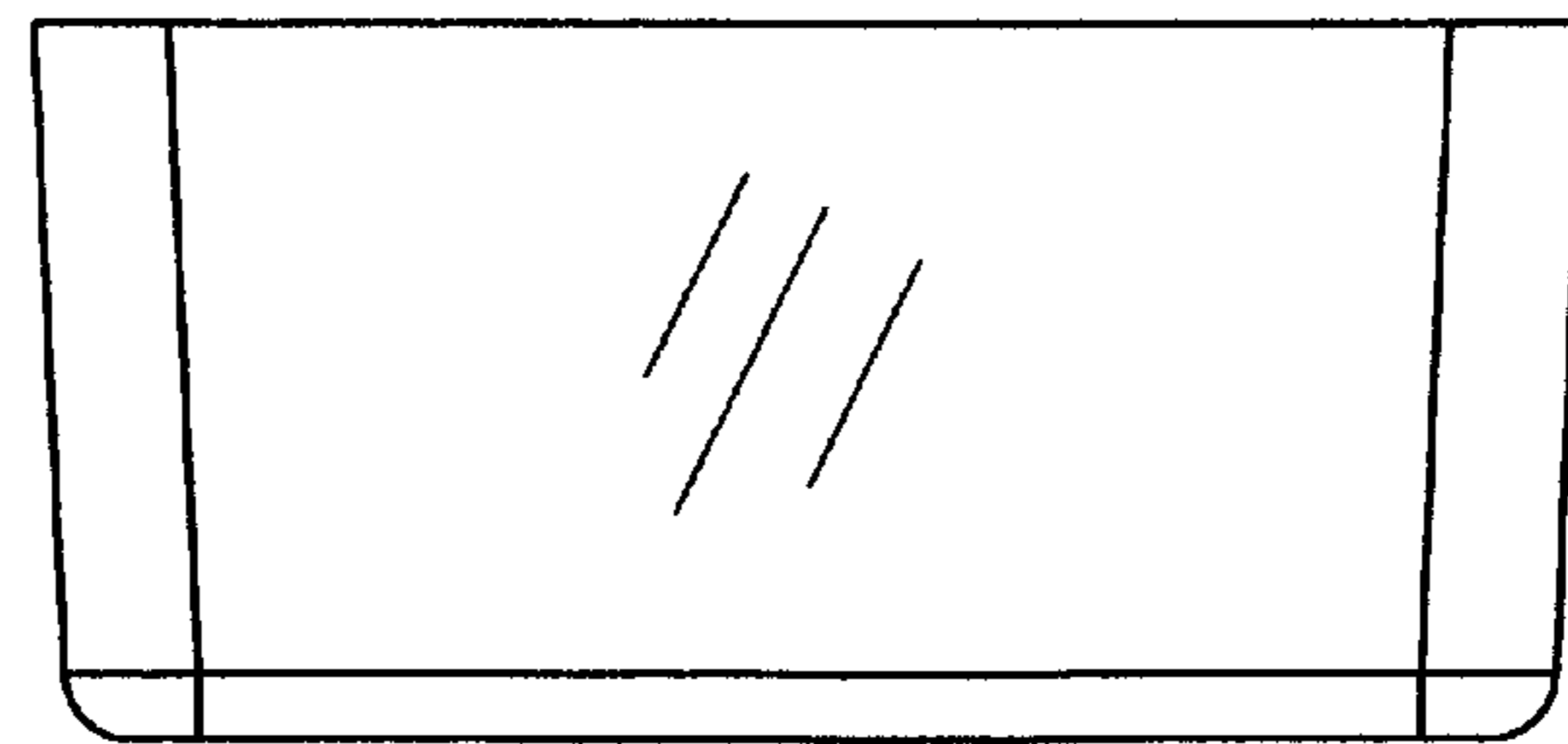


FIG. 8

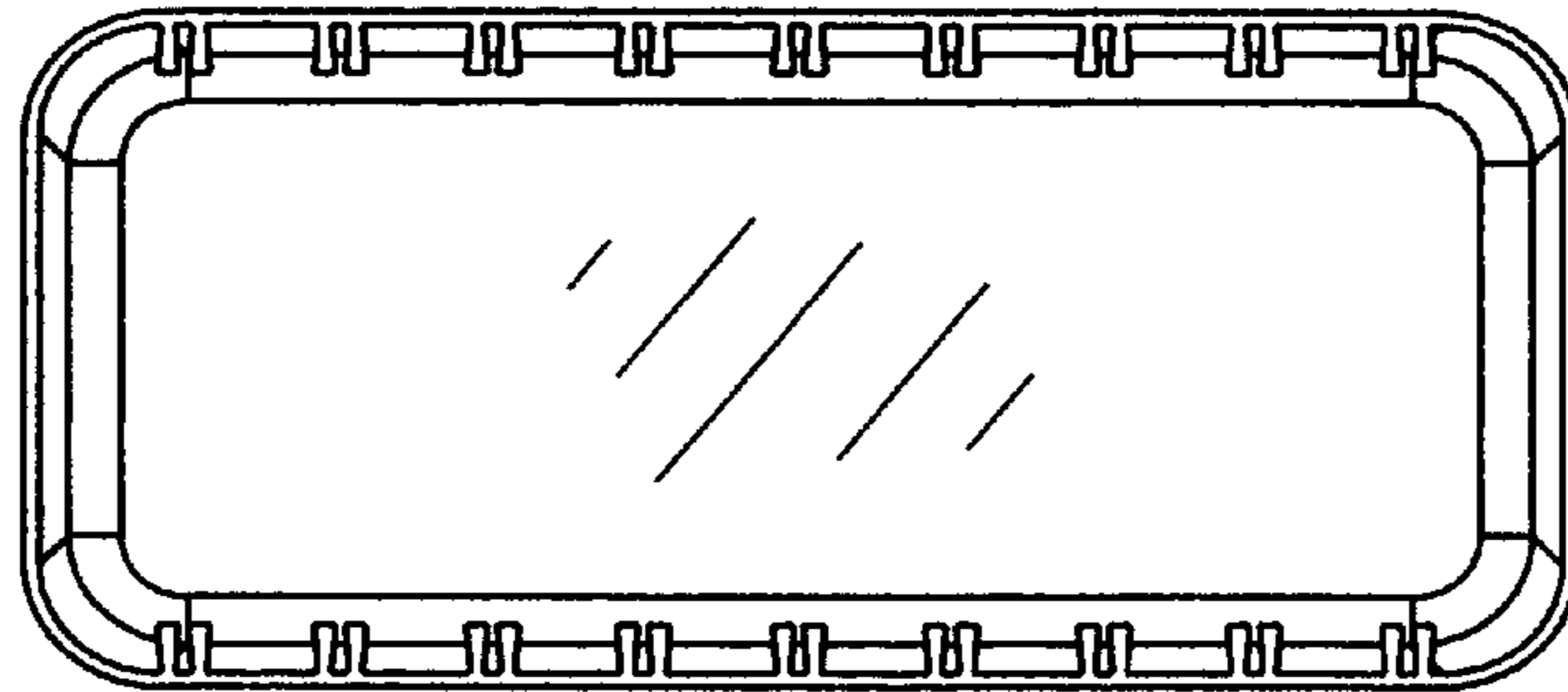


FIG. 9

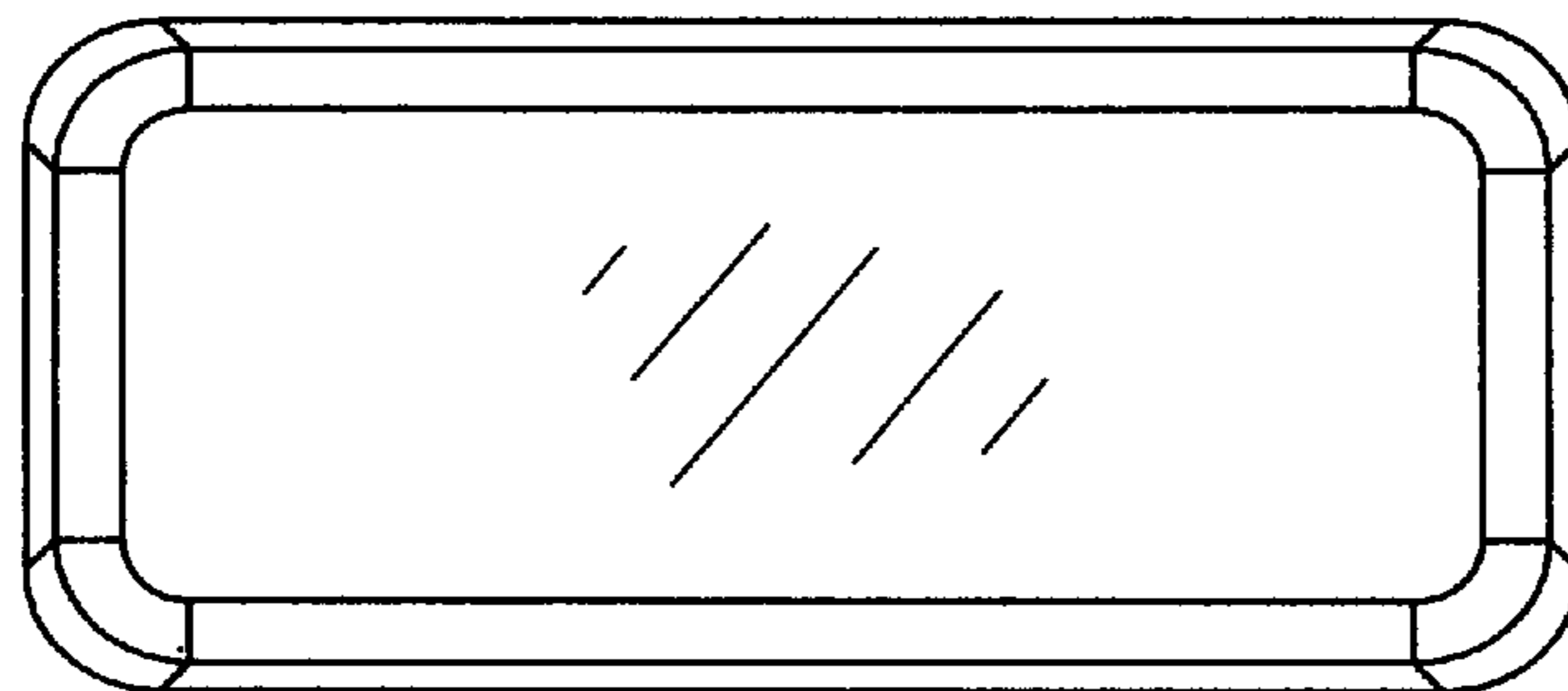


FIG. 10

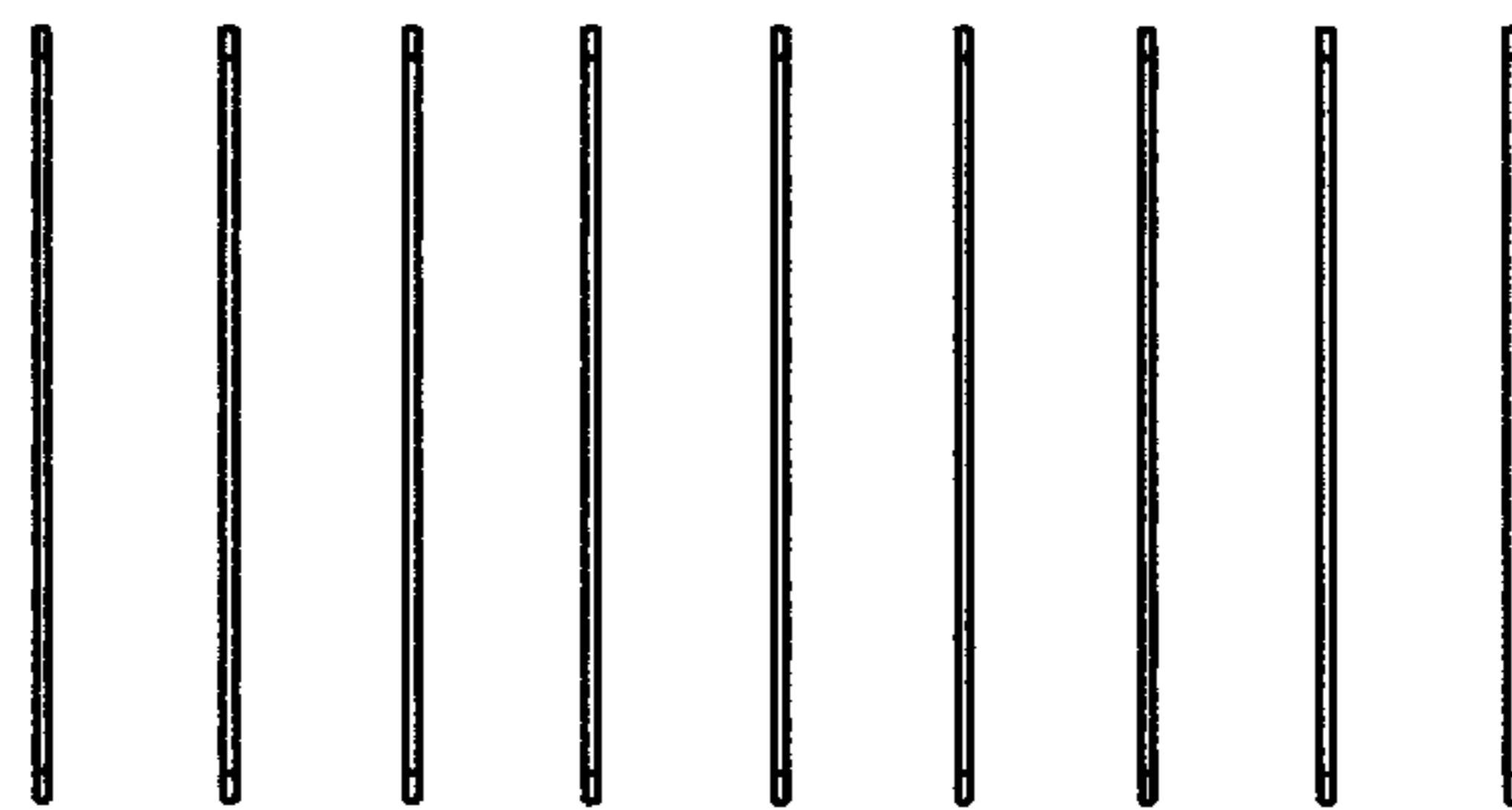


FIG. 11

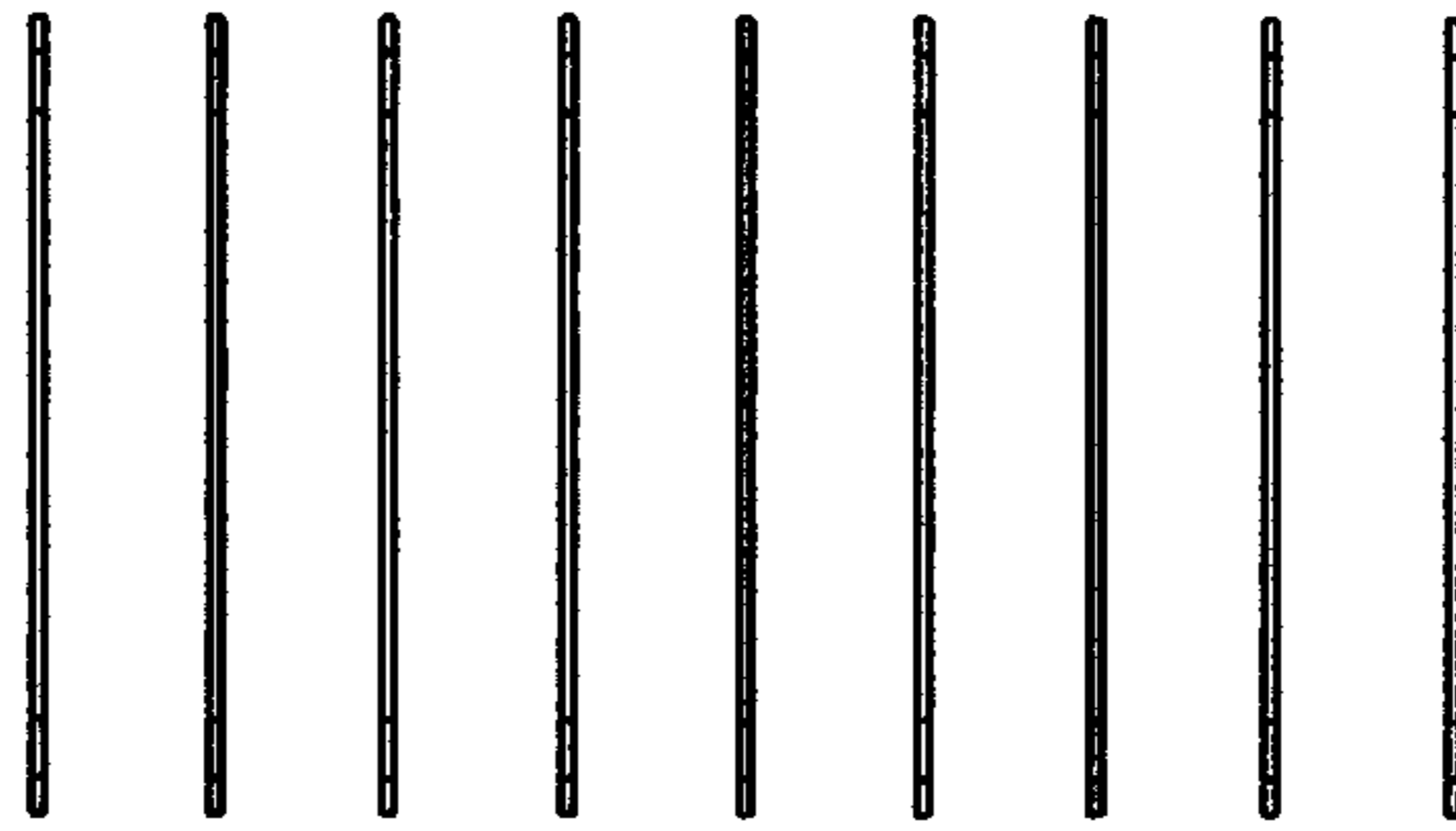


FIG. 12

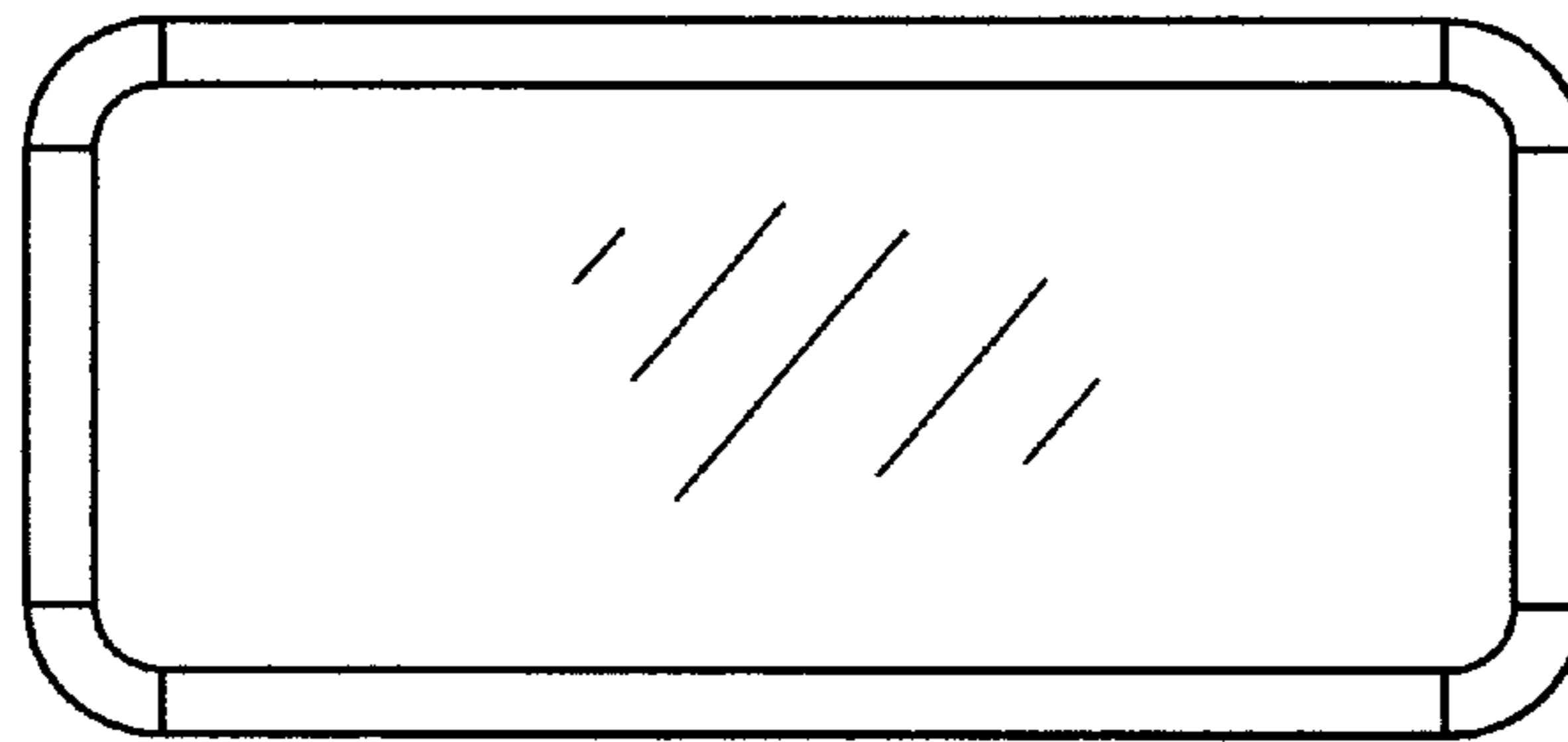


FIG. 13

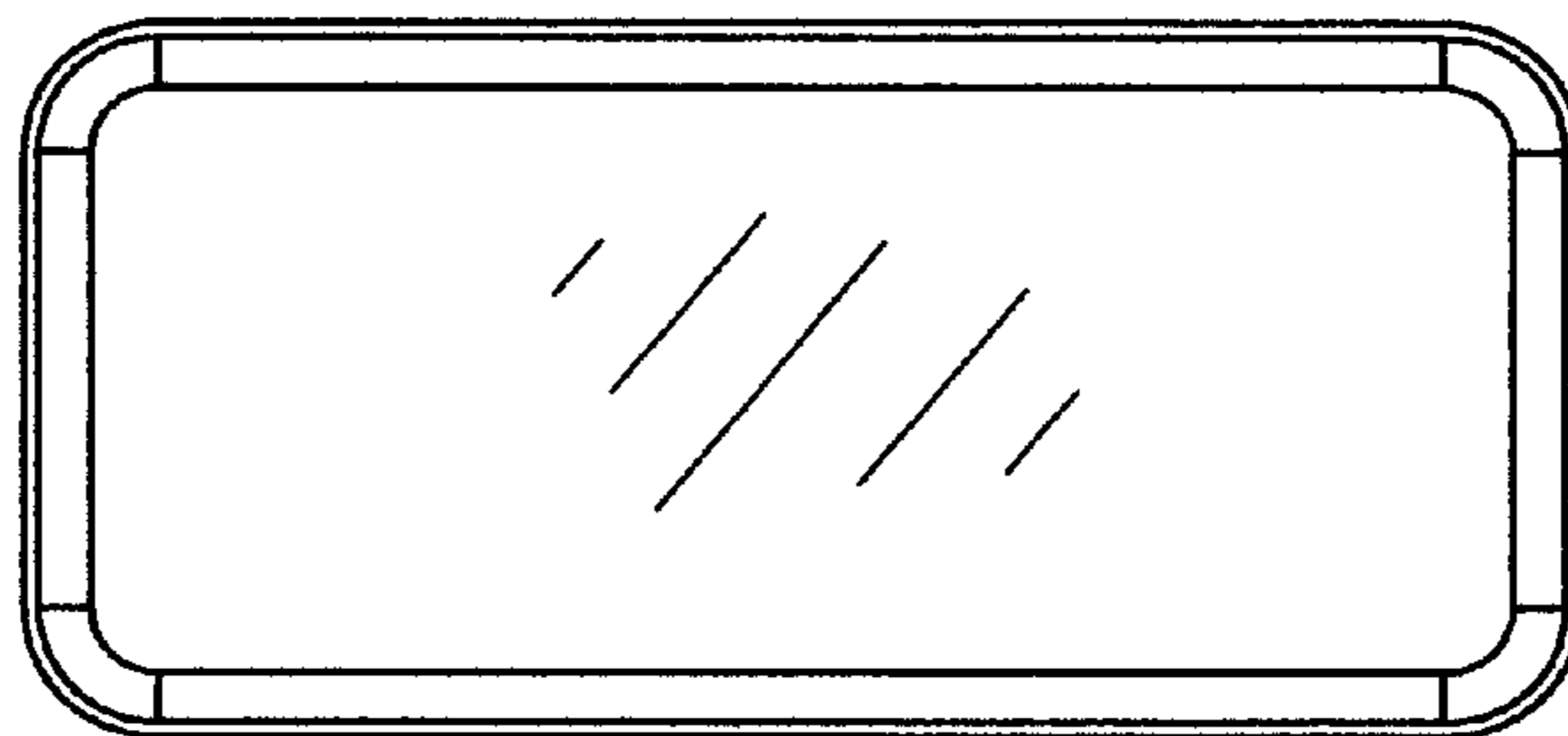


FIG. 14