



US00D670564S

(12) **United States Design Patent**
McCay et al.

(10) **Patent No.:** **US D670,564 S**

(45) **Date of Patent:** **** Nov. 13, 2012**

(54) **CONTAINER**

(75) Inventors: **James McCay**, Fairfield, CT (US); **Peter B. Clarke**, Fairfield, CT (US); **Edmund Farmer**, Seymour, CT (US); **Vernon N. Goetz**, Villa Hills, KY (US); **Stacy Sorby**, McDonough, GA (US); **Christian Zmoelnig**, Stockbridge, GA (US)

(73) Assignee: **SE IP Holdings Company**, Cincinnati, OH (US)

(**) Term: **14 Years**

(21) Appl. No.: **29/420,526**

(22) Filed: **May 10, 2012**

Related U.S. Application Data

(62) Division of application No. 29/361,003, filed on May 4, 2010, now Pat. No. Des. 661,590.

(51) **LOC (9) Cl.** **09-01**

(52) **U.S. Cl.** **D9/528; D9/516; D9/543; D9/564; D9/571**

(58) **Field of Classification Search** D9/516, D9/523, 528, 530, 531, 541, 543, 559, 560, D9/564, 565, 569-571, 575; 215/381-385; 220/660, 662, 669

See application file for complete search history.

(56) **References Cited**

U.S. PATENT DOCUMENTS

D204,325 S * 4/1966 Myers et al. D9/529
D403,591 S * 1/1999 Nijs et al. D9/531

D406,243 S * 3/1999 Ricci D9/544
D453,685 S * 2/2002 Lane et al. D9/552
D538,667 S * 3/2007 Hague et al. D9/528
D612,734 S * 3/2010 Sarsfield-Thomas et al. . D9/516
D632,966 S * 2/2011 Pedmo et al. D9/541
D660,163 S * 5/2012 Miller et al. D9/528
D661,590 S * 6/2012 McCay et al. D9/523
D661,591 S * 6/2012 McCay et al. D9/523

* cited by examiner

Primary Examiner — Keli L Hill

(74) *Attorney, Agent, or Firm* — McDermott Will & Emery LLP

(57) **CLAIM**

We claim the ornamental design for a container, as shown and described.

DESCRIPTION

FIG. 1 is a perspective view of a container according to the new design;

FIG. 2 left side elevation view of the container shown in FIG. 1;

FIG. 3 is a cross-sectional view of the container taken along the line 3-3 in FIG. 2;

FIG. 4 right side elevation view of the container shown in FIG. 1

FIG. 5 front elevation view of the container shown in FIG. 1;

FIG. 6 rear elevation view of the container shown in FIG. 1;

FIG. 7 top elevation view of the container shown in FIG. 1; and,

FIG. 8 bottom elevation view of the container shown in FIG. 1.

Features shown in broken lines form no part of the claimed design.

1 Claim, 6 Drawing Sheets

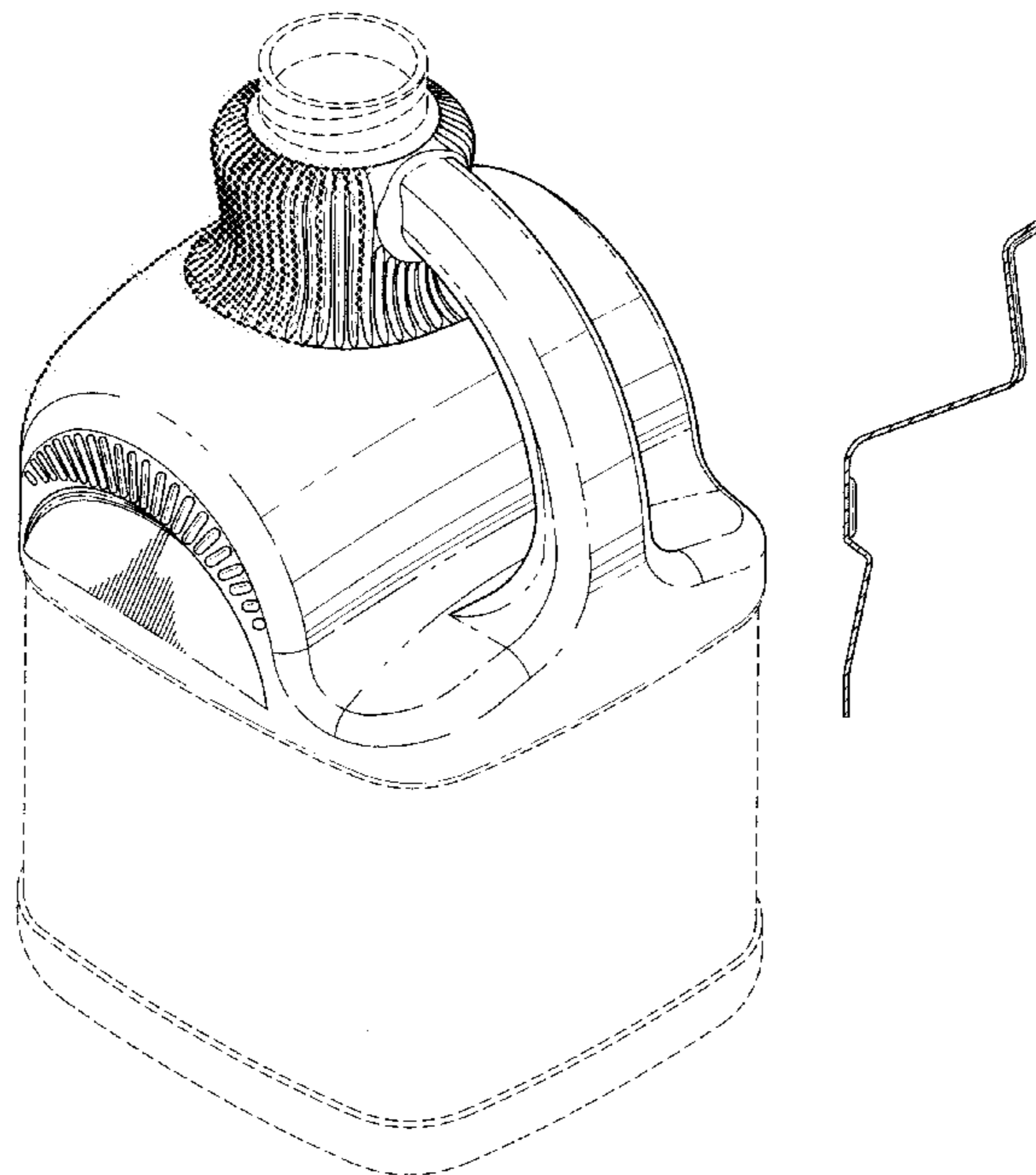
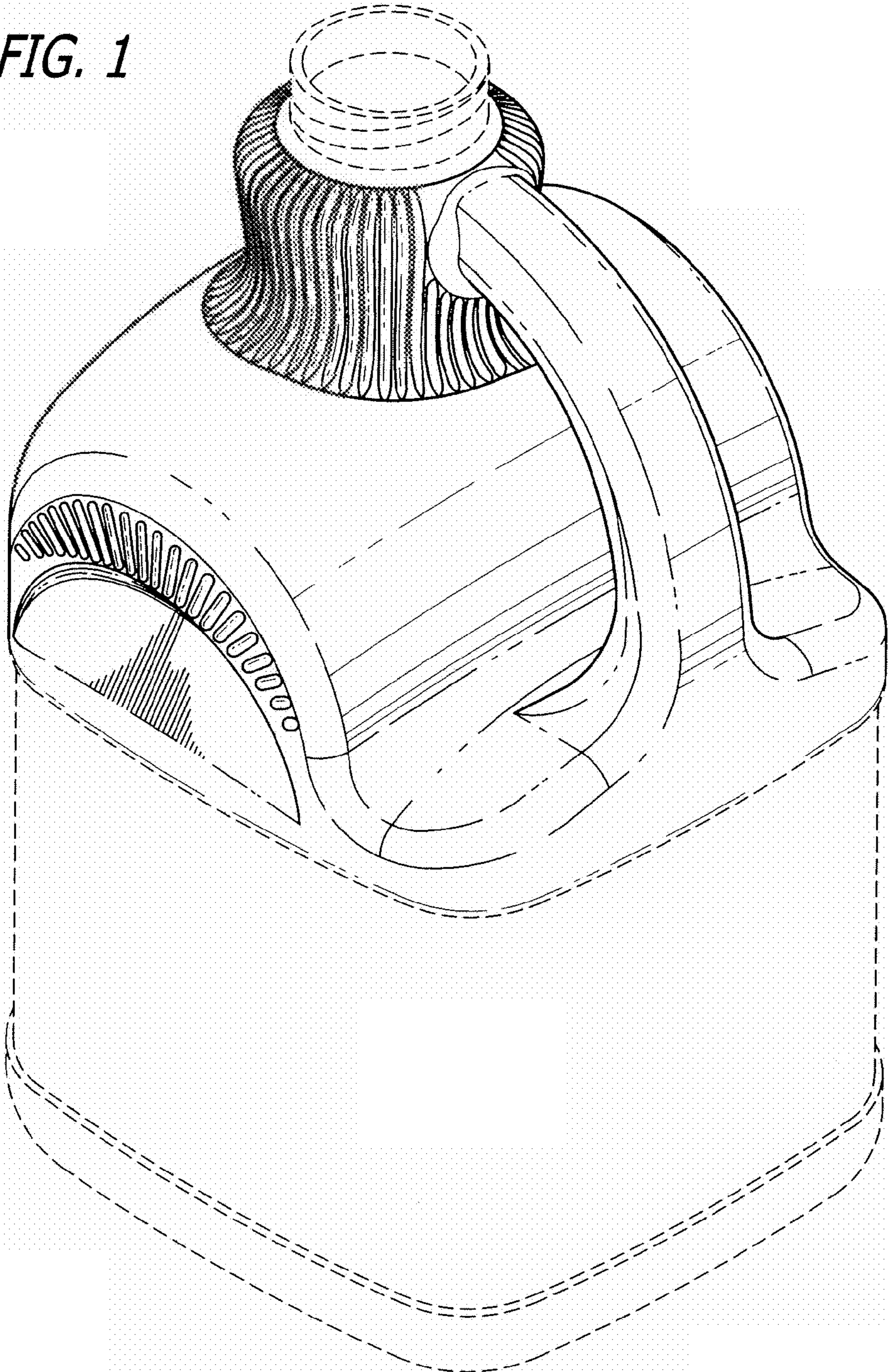


FIG. 1



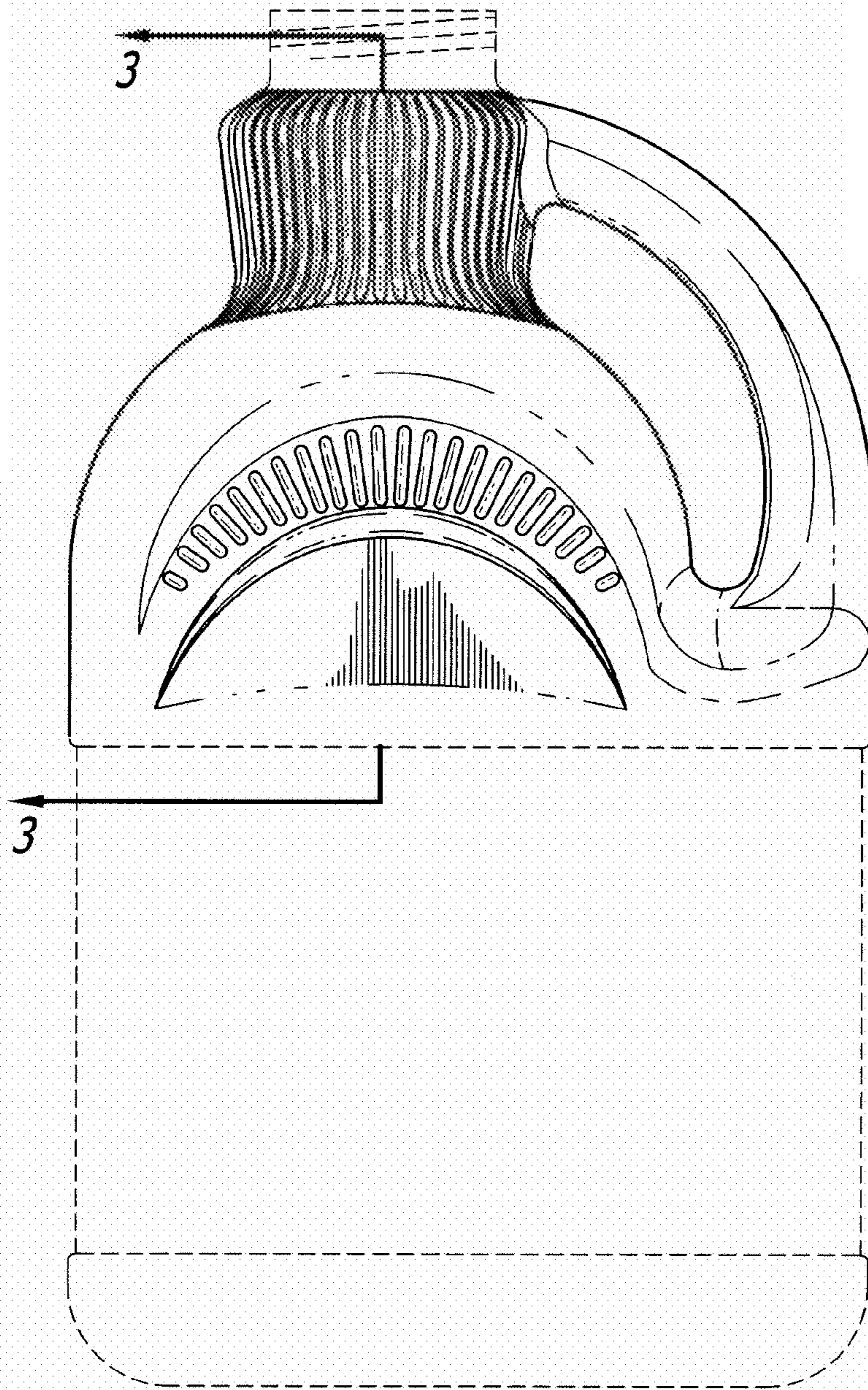


FIG. 2

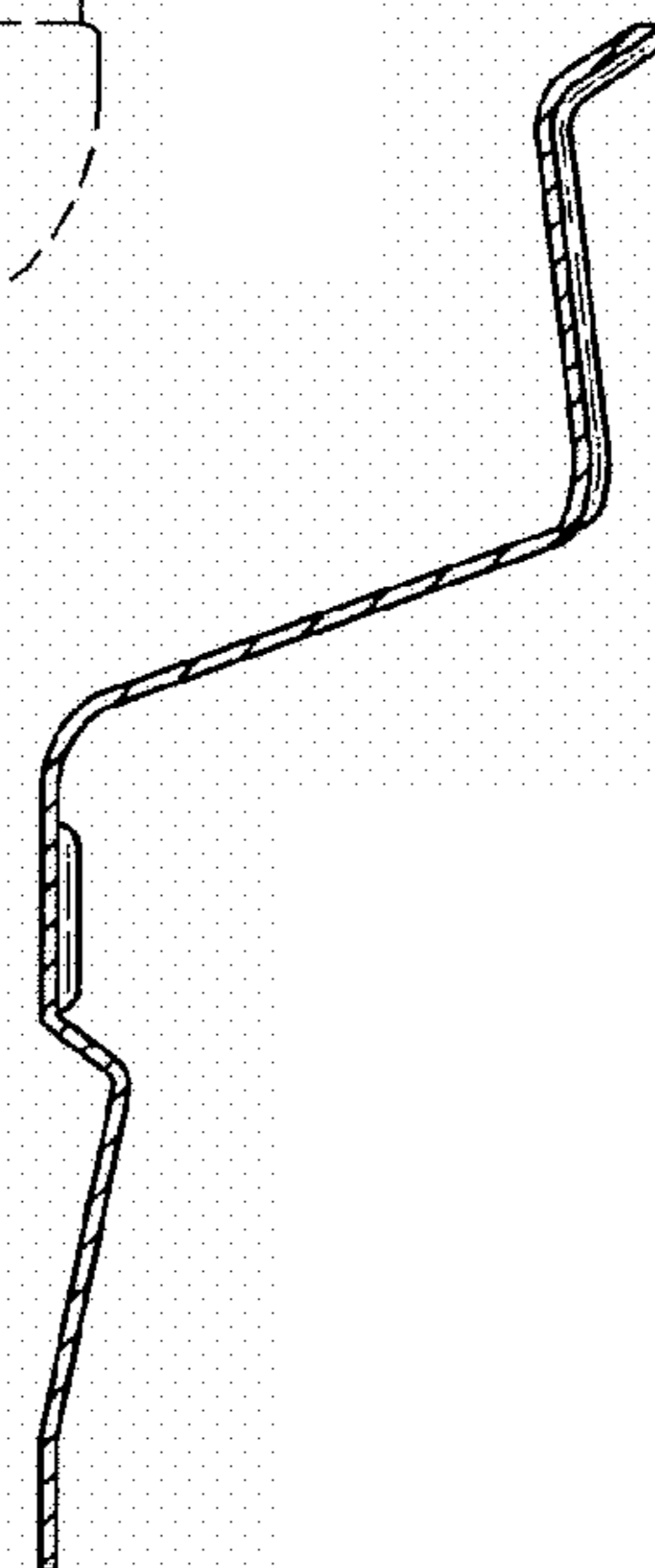


FIG. 3

FIG. 4

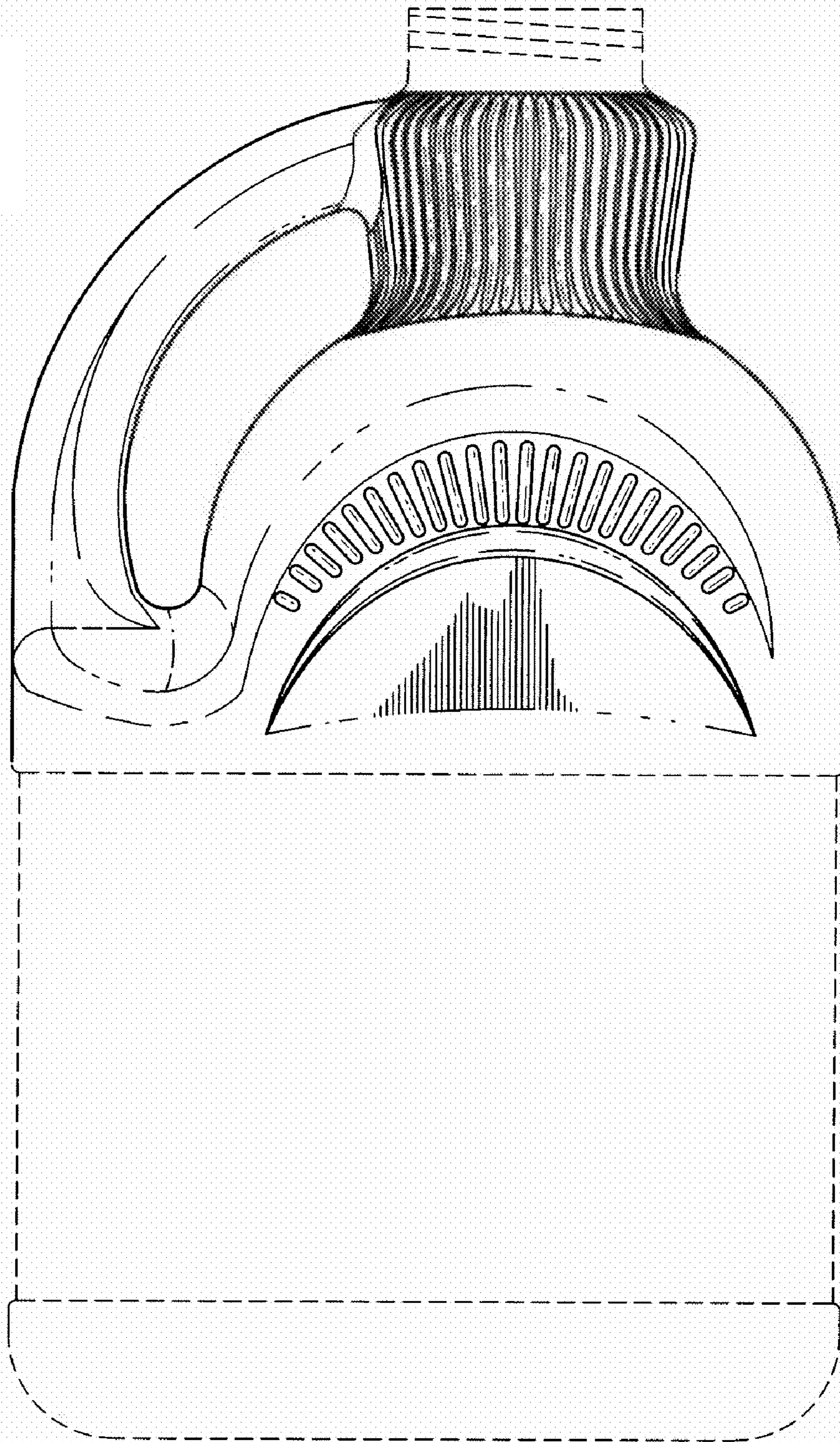


FIG. 5

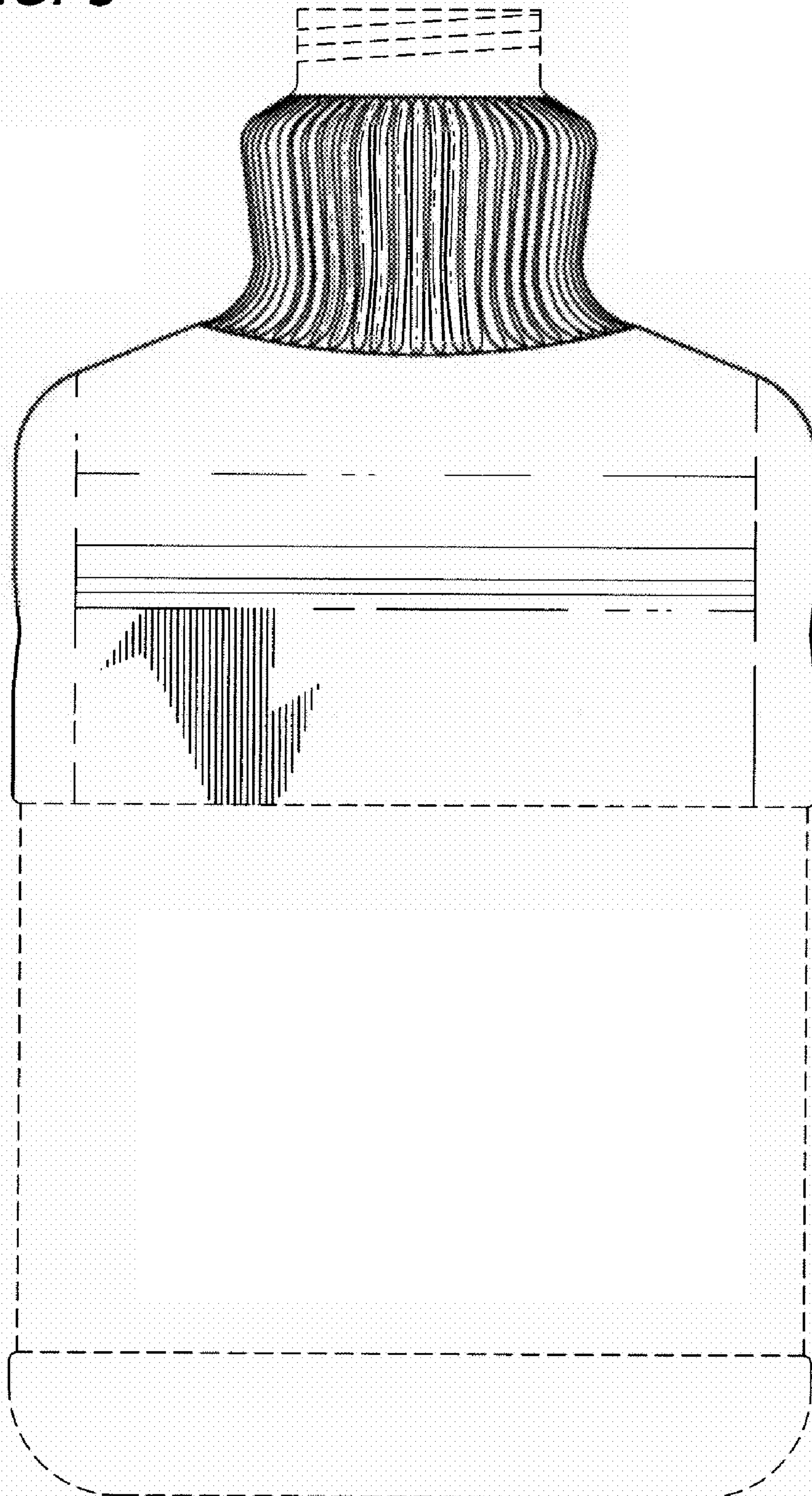


FIG. 6

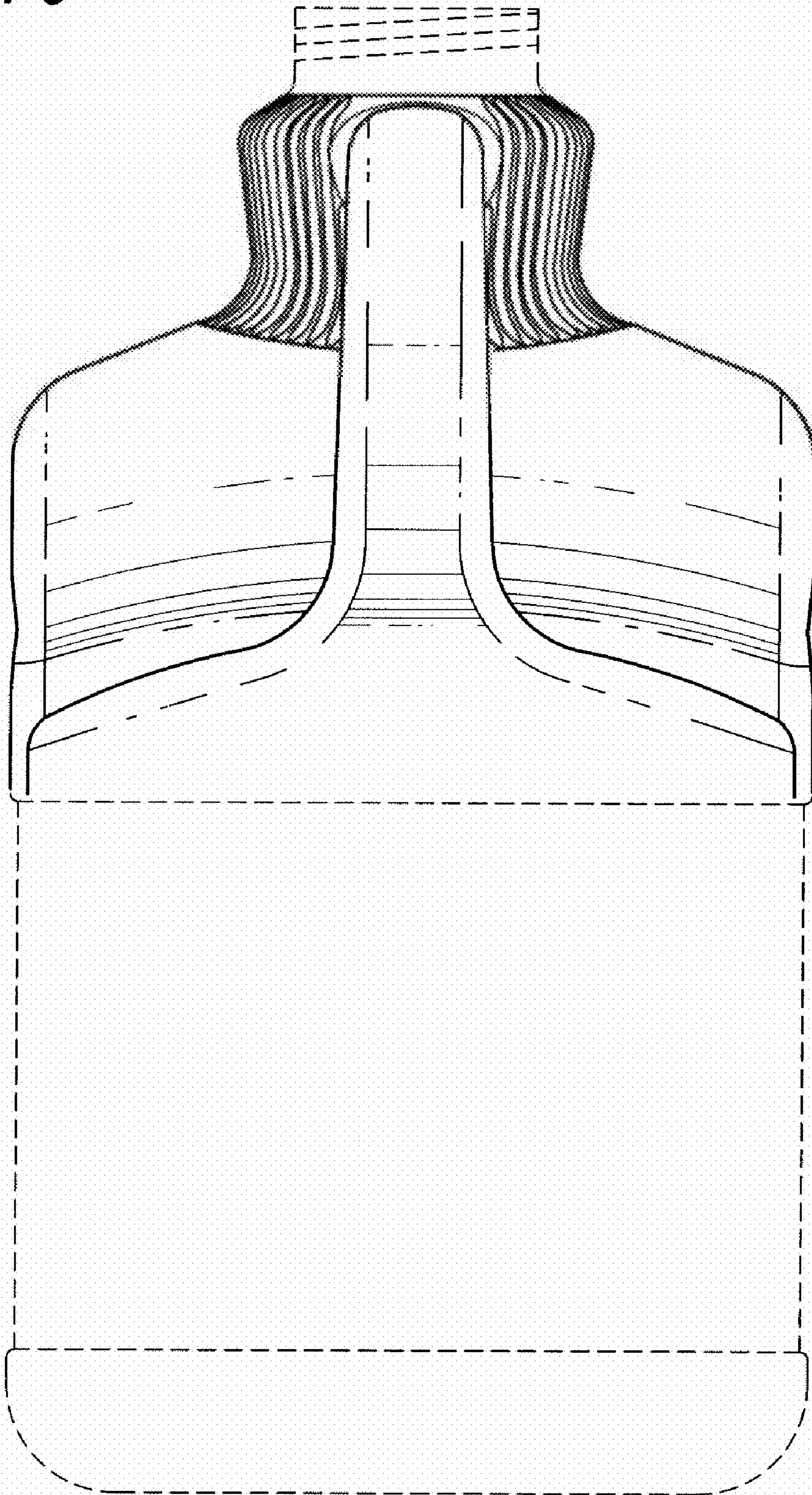


FIG. 7

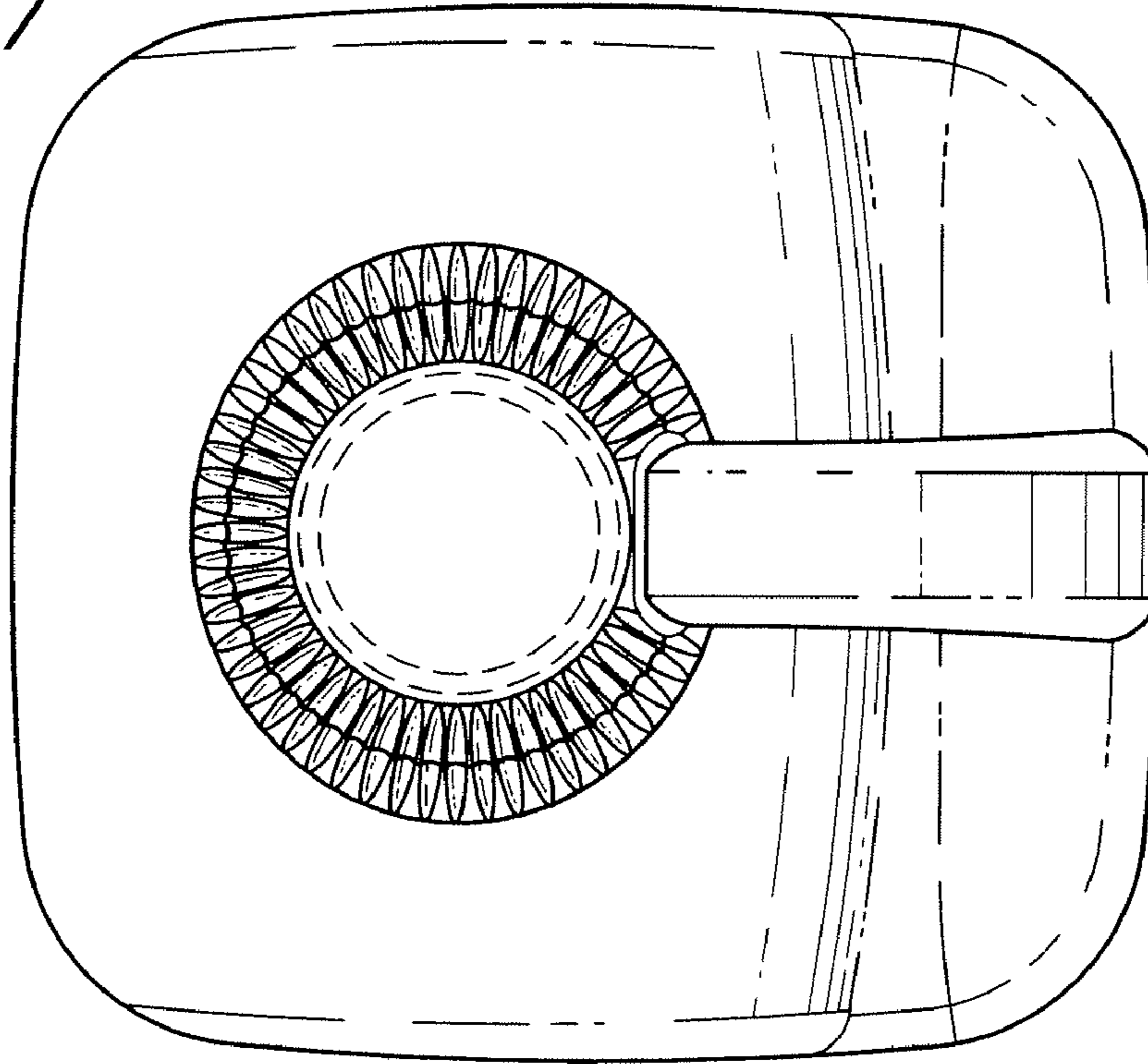
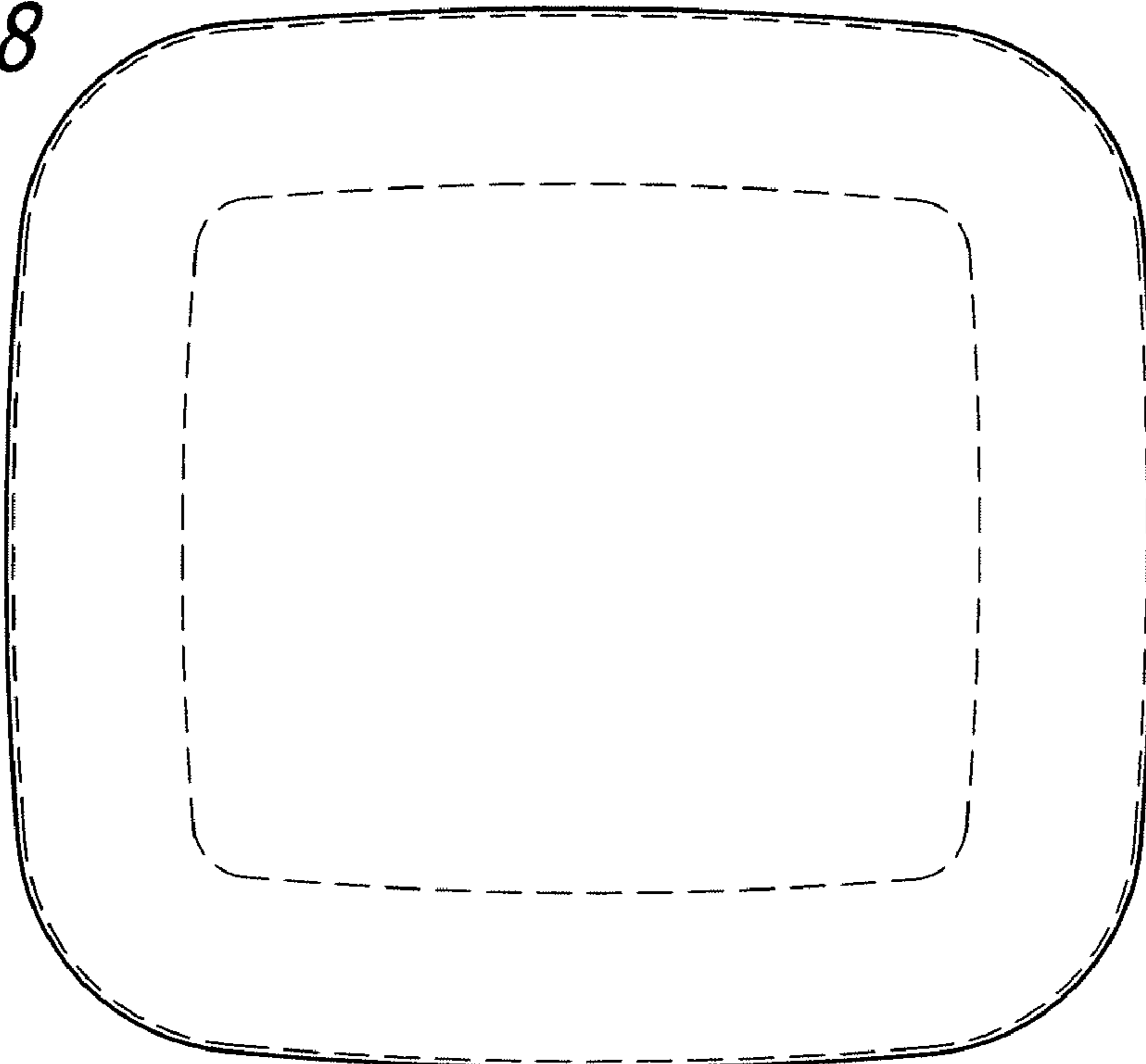


FIG. 8



UNITED STATES PATENT AND TRADEMARK OFFICE
CERTIFICATE OF CORRECTION

PATENT NO. : D670,564 S
APPLICATION NO. : 29/420526
DATED : November 13, 2012
INVENTOR(S) : McCay et al.

Page 1 of 1

It is certified that error appears in the above-identified patent and that said Letters Patent is hereby corrected as shown below:

Title page, Item (73) Assignee: Delete "SE" and insert --SD--.

Signed and Sealed this
Fifteenth Day of January, 2013

A handwritten signature in black ink that reads "David J. Kappos". The signature is written in a cursive style with a large initial "D" and "K".

David J. Kappos
Director of the United States Patent and Trademark Office