



US00D670561S

(12) **United States Design Patent**
Amend

(10) **Patent No.:** **US D670,561 S**

(45) **Date of Patent:** **** Nov. 13, 2012**

(54) **PACKING PANEL**

(76) Inventor: **Victor Amend**, Toronto (CA)

(**) Term: **14 Years**

(21) Appl. No.: **29/423,207**

(22) Filed: **May 30, 2012**

Related U.S. Application Data

(62) Division of application No. 29/391,955, filed on May 16, 2011.

(51) **LOC (9) Cl.** **09-07**

(52) **U.S. Cl.** **D9/456**

(58) **Field of Classification Search** D9/456,
D9/455, 434; D3/328, 319, 313, 295, 294,
D3/273, 203.8, 203.6, 203.1, 201; D25/141,
D25/125, 123, 115, 114, 113; 428/152, 150,
428/141; 410/154; 206/711, 710

See application file for complete search history.

(56) **References Cited**

U.S. PATENT DOCUMENTS

D212,151 S *	9/1968	Costello	D25/125
4,320,648 A *	3/1982	Ekmark	72/301
4,567,084 A *	1/1986	Juei Jse	428/150
D286,433 S *	10/1986	Greco	D25/48.5
D446,871 S *	8/2001	Thomas	D25/144

D447,578 S *	9/2001	Larose	D25/141
D526,724 S *	8/2006	Chuang	D25/125
D562,993 S *	2/2008	Shepherd et al.	D25/141
D581,511 S *	11/2008	Rosten et al.	D23/393
D629,532 S *	12/2010	Cornett	D25/140

* cited by examiner

Primary Examiner — Susan Bennett Hattan

(74) *Attorney, Agent, or Firm* — Evangellos W. Vekris; Sim & McBurney

(57) **CLAIM**

The ornamental design for a packing panel, as shown and described.

DESCRIPTION

FIG. 1 is a front perspective view of the packing panel in accordance with my design;

FIG. 2 is a top view of the packing panel of FIG. 1;

FIG. 3 is a first end view of the packing panel of FIG. 1;

FIG. 4 is a second end view of the packing panel of FIG. 1;

FIG. 5 is a first side view of the packing panel of FIG. 1;

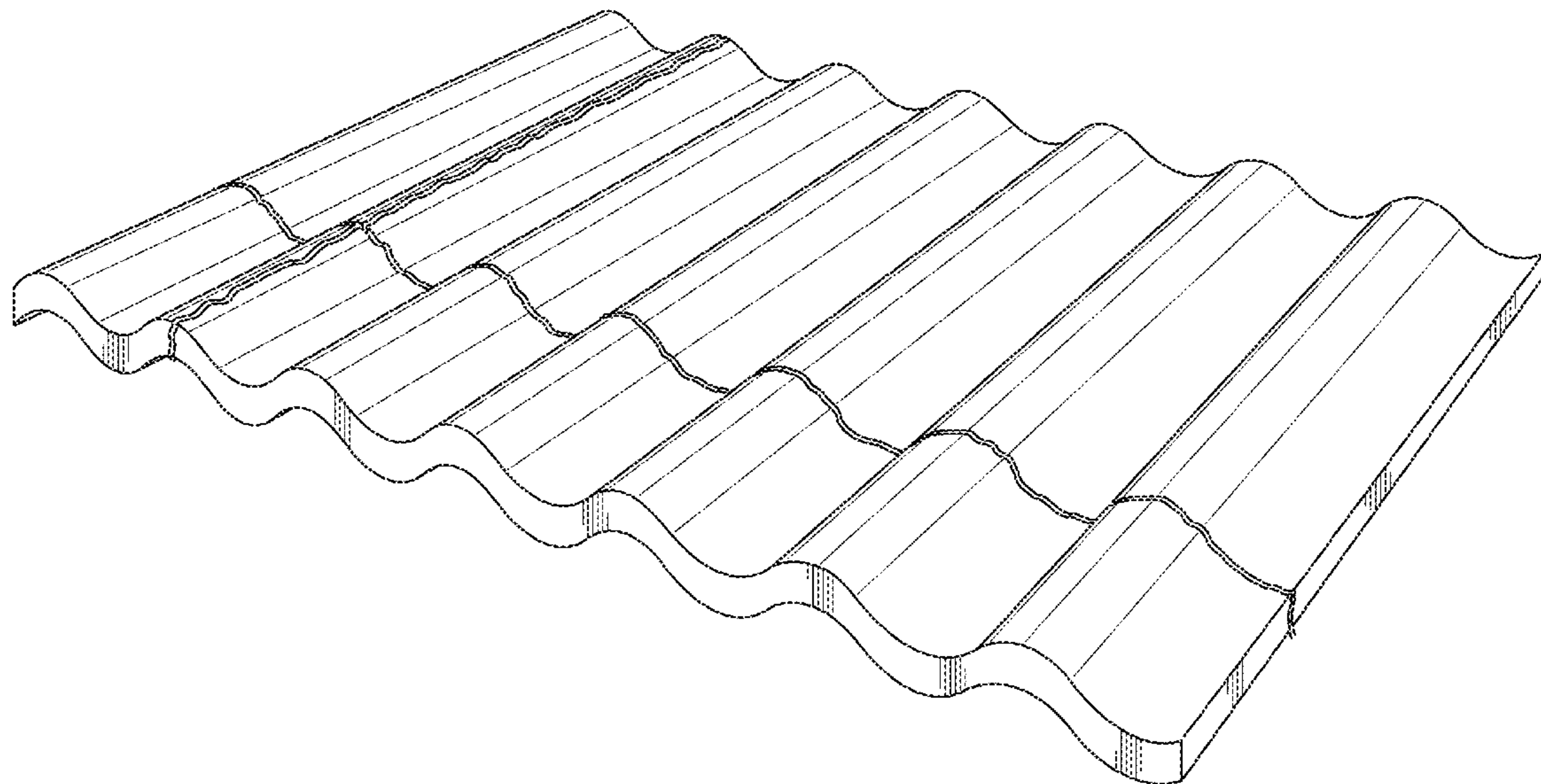
FIG. 6 is a second side view of the packing panel of FIG. 1;

and,

FIG. 7 is a back view of the packing panel of FIG. 1.

The broken away symbols in the drawings indicate the appearance of any portion of the article between the break lines forms no part of the claimed design.

1 Claim, 4 Drawing Sheets



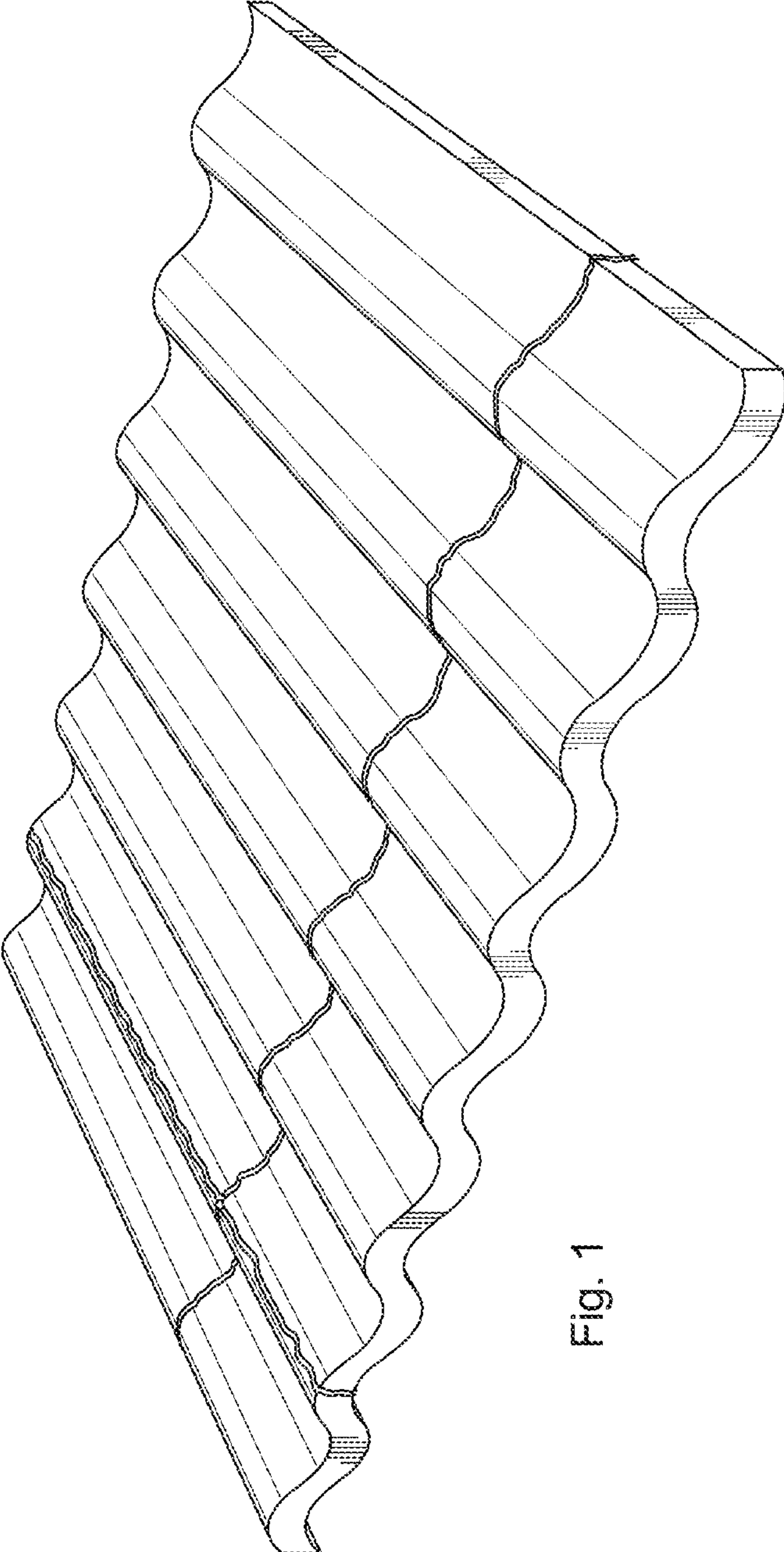


Fig. 1



Fig. 2



Fig. 3



Fig. 4

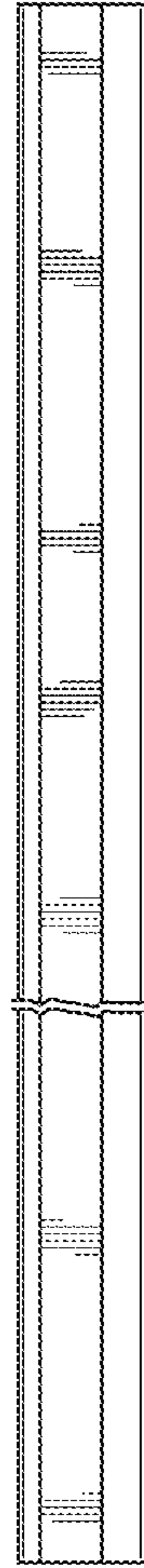


Fig. 5

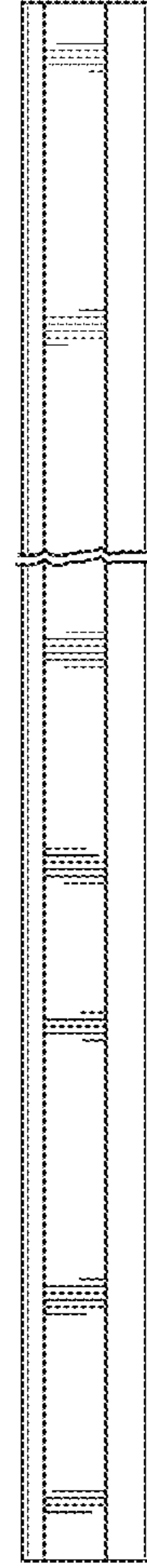


Fig. 6



Fig. 7