



US00D670559S

(12) **United States Design Patent**  
**Webster**

(10) **Patent No.:** **US D670,559 S**  
(45) **Date of Patent:** **\*\* Nov. 13, 2012**

(54) **CONTAINER CLOSURE**  
(75) Inventor: **Charles Webster**, South Elgin, IL (US)  
(73) Assignee: **Hoffer Plastics Corporation**, South Elgin, IL (US)  
(\*\*) Term: **14 Years**  
(21) Appl. No.: **29/373,020**

D407,978 S *	4/1999	Petro .....	D9/453
D409,491 S *	5/1999	Ullrich et al. ....	D9/453
D520,361 S *	5/2006	Crawford et al. ....	D9/453
D530,612 S *	10/2006	Lohrman et al. ....	D9/453
D534,427 S *	1/2007	Crawford .....	D9/453
D542,654 S *	5/2007	Szczesniak .....	D9/453
D544,348 S *	6/2007	Szczesniak .....	D9/453
D587,580 S *	3/2009	Kane et al. ....	D9/453
2003/0155322 A1 *	8/2003	Auer et al. ....	215/321

\* cited by examiner

*Primary Examiner* — Susan Bennett Hattan

(74) *Attorney, Agent, or Firm* — Knectel, Demeur & Samlan

(22) Filed: **Feb. 18, 2011**  
(51) **LOC (9) Cl.** ..... **09-07**  
(52) **U.S. Cl.** ..... **D9/453; D9/452**  
(58) **Field of Classification Search** ..... D9/454,  
D9/453, 452, 449, 447, 446, 445, 443, 435,  
D9/434; D7/392.1; 215/365, 333, 252, 250,  
215/228, 200; 220/288, 270, 257.2, 254.3,  
220/277

See application file for complete search history.

(57) **CLAIM**

I claim the ornamental design for a container closure, as shown and described.

**DESCRIPTION**

FIG. 1 is a top view of a container closure showing the new design;

FIG. 2 is a bottom view thereof;

FIG. 3 is a top perspective view thereof;

FIG. 4 is a bottom perspective view thereof; and,

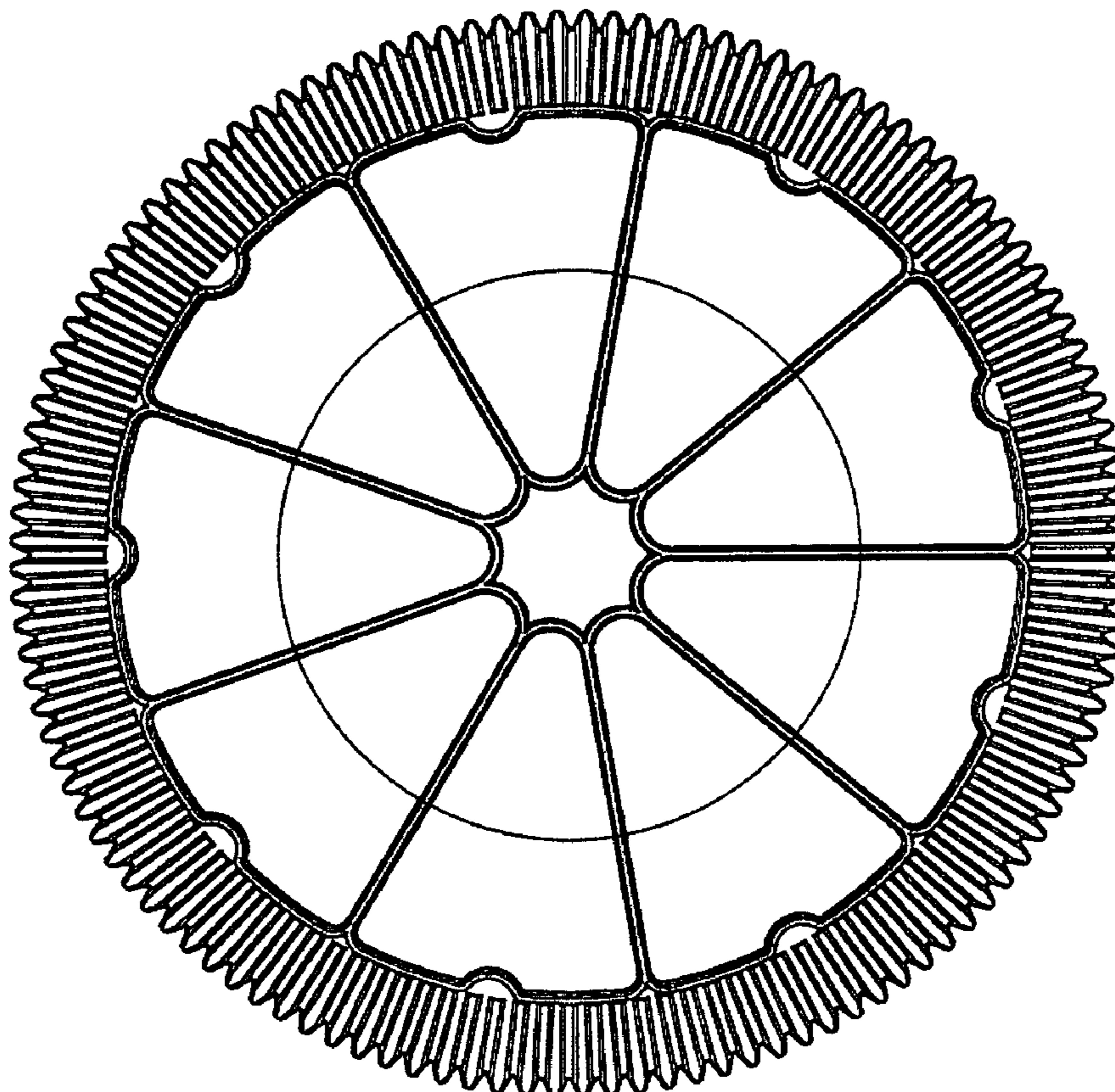
FIG. 5 is a front elevation view with the right side, left side and rear views all being identical.

(56) **References Cited**

**U.S. PATENT DOCUMENTS**

D92,359 S *	5/1934	Kronman .....	D9/453
D145,011 S *	6/1946	Derham .....	D9/453
D202,827 S *	11/1965	Elkner .....	D9/453
D371,074 S *	6/1996	Zemlo et al. ....	D9/453

**1 Claim, 3 Drawing Sheets**



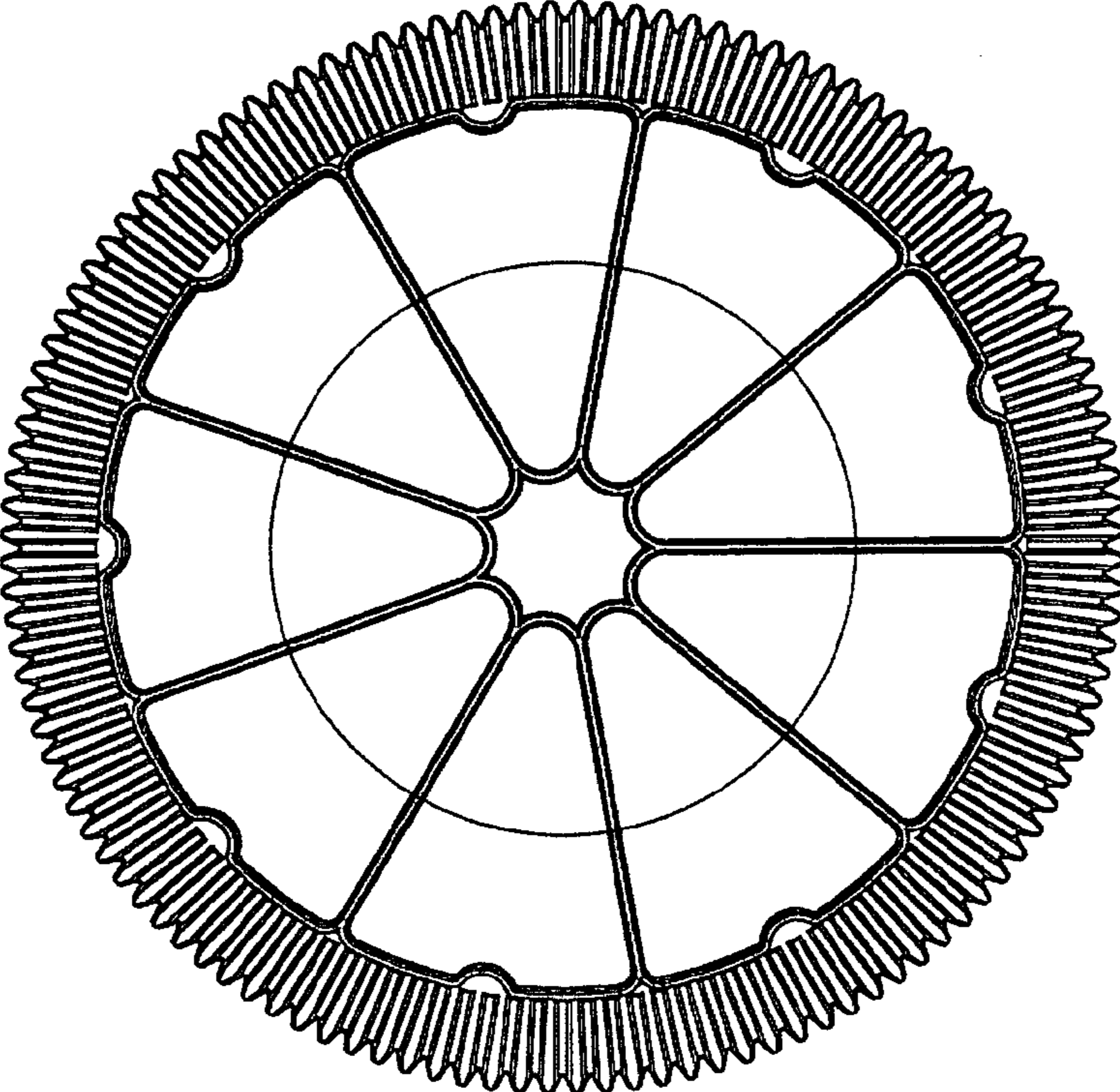


FIG. 1

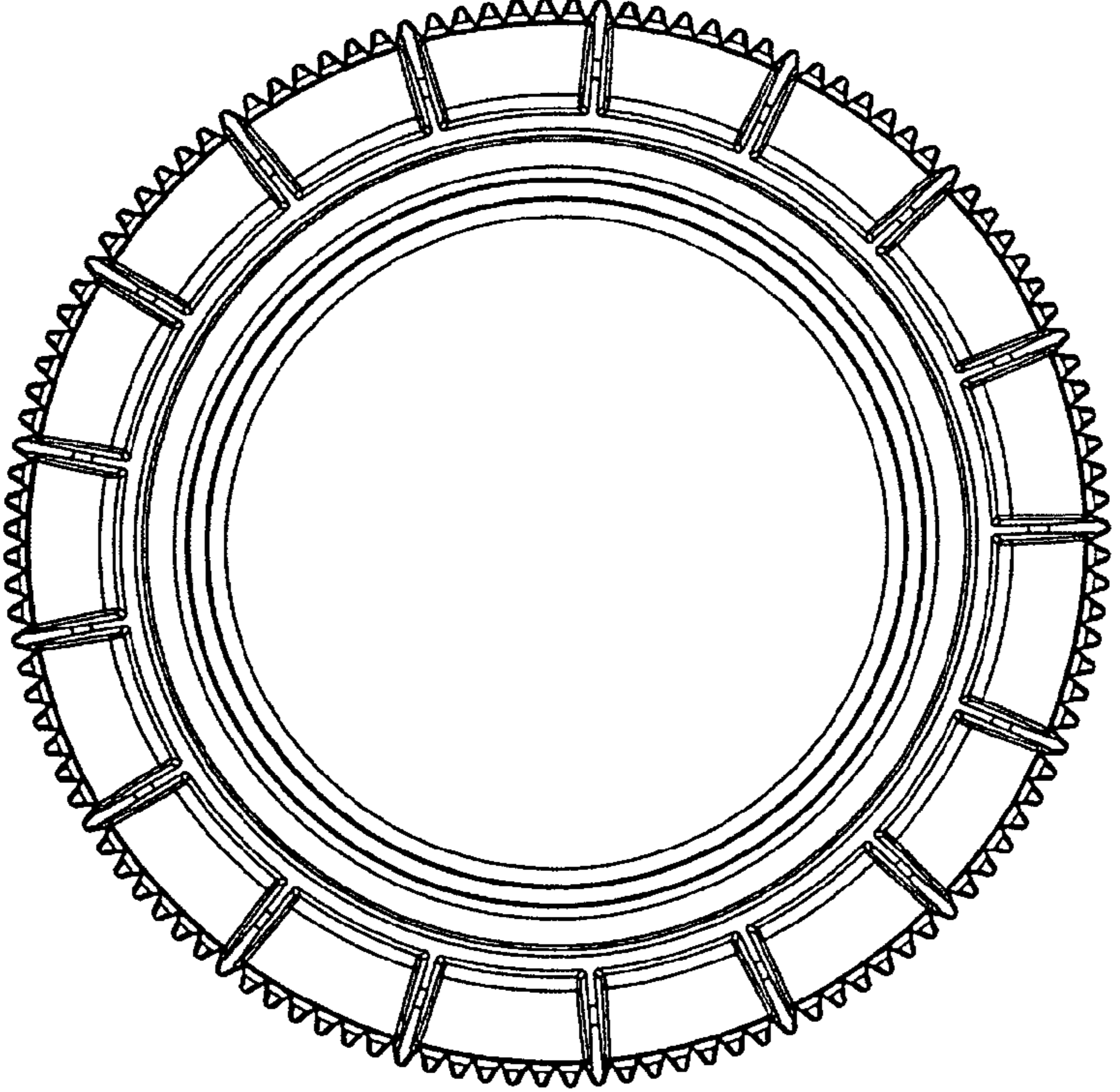


FIG. 2



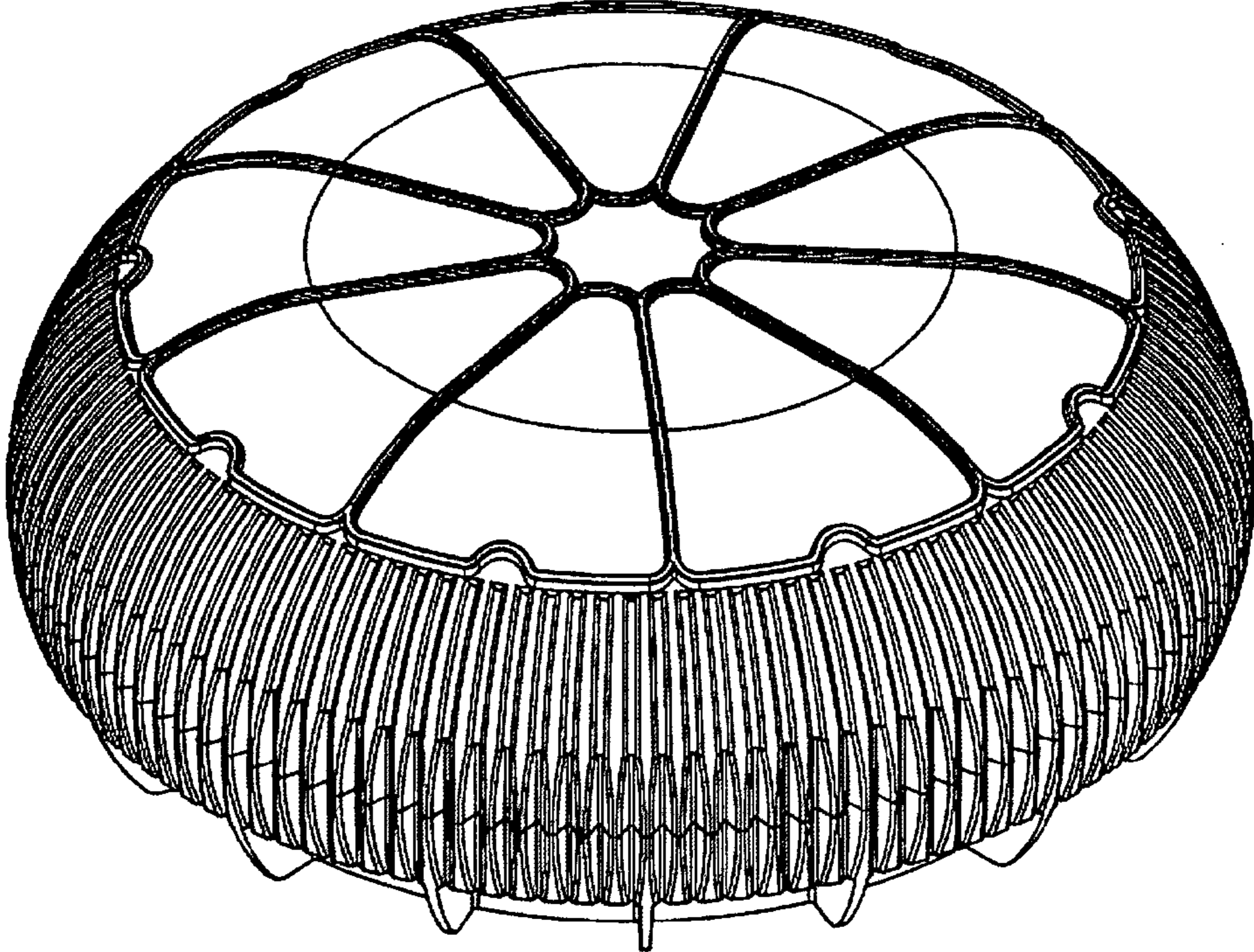


FIG. 3

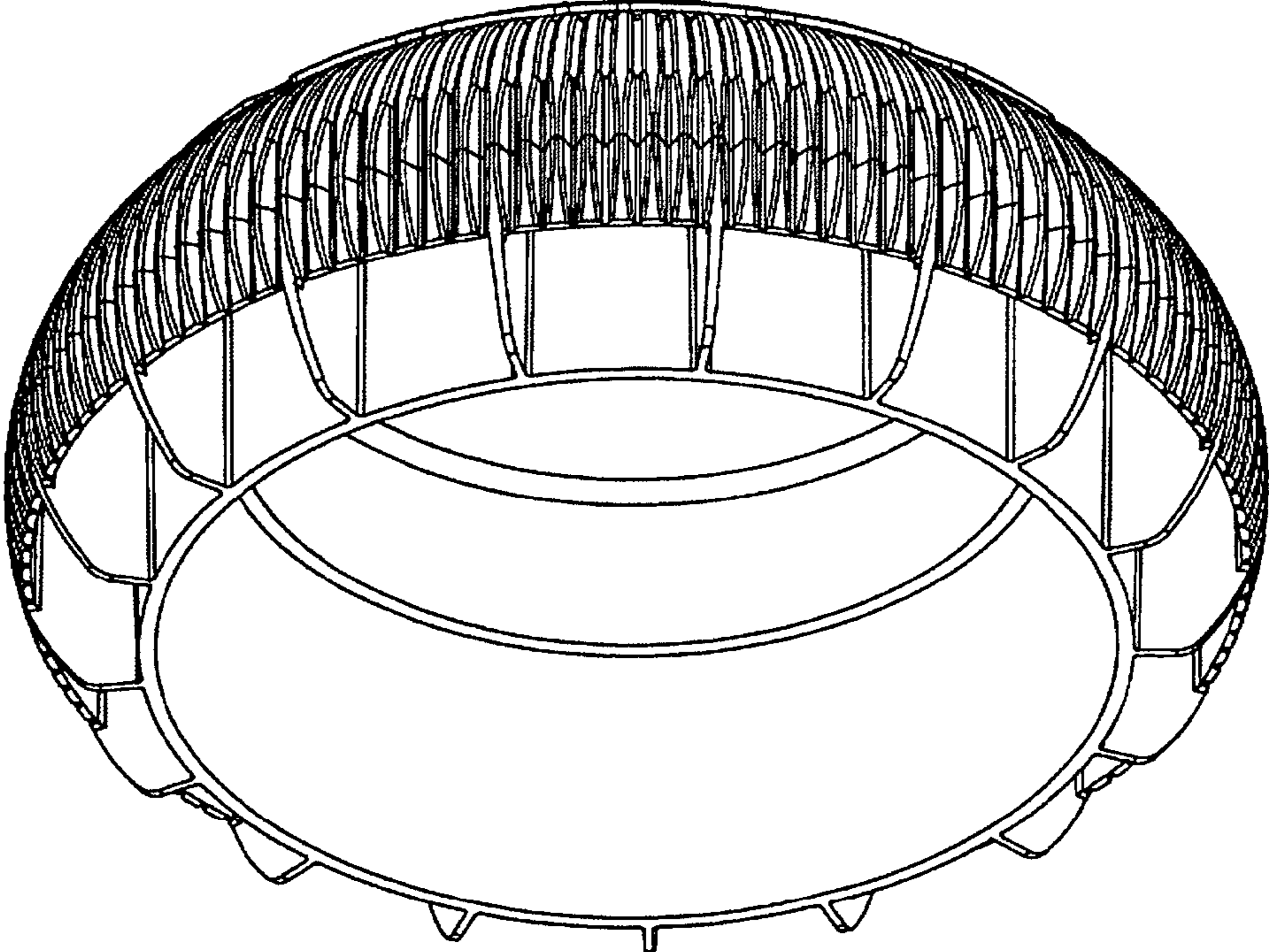


FIG. 4

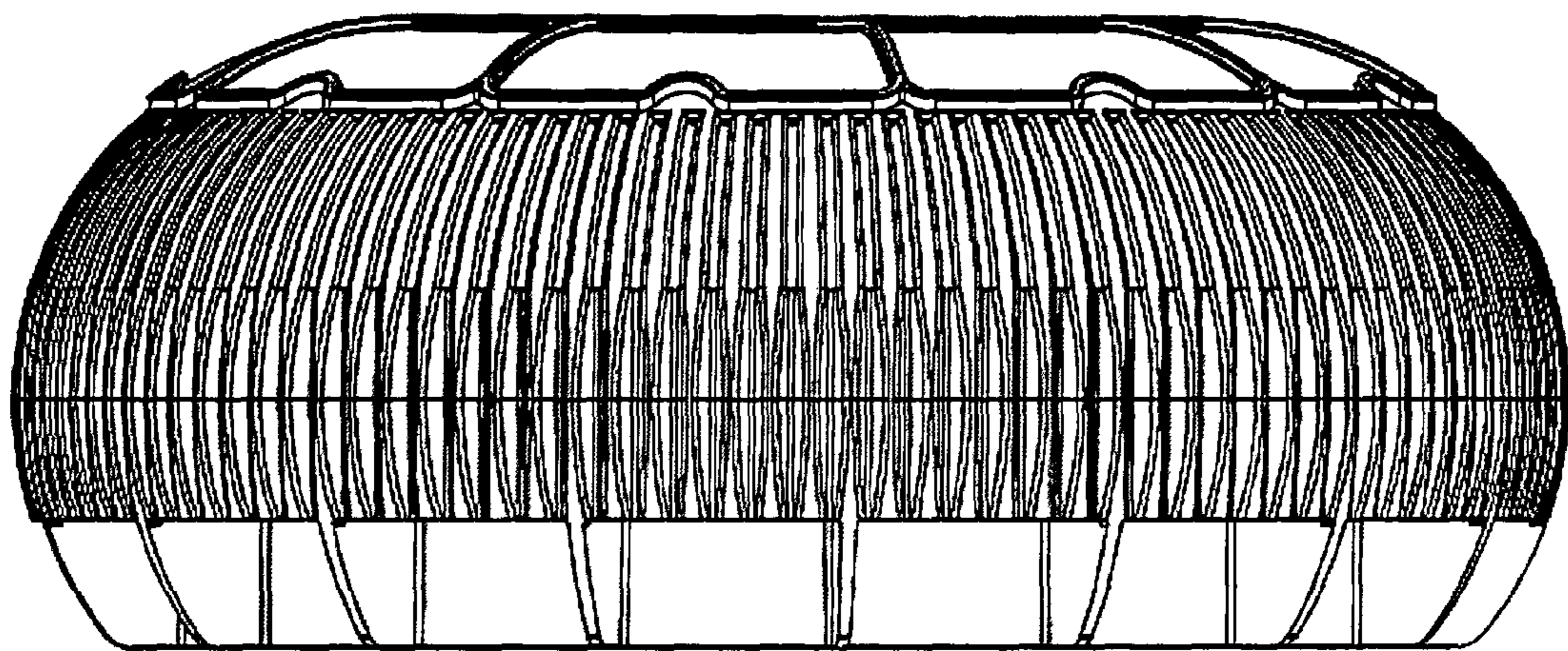


FIG. 5