

US00D670558S

(12) **United States Design Patent**
Luzano-Belfield

(10) **Patent No.:** **US D670,558 S**

(45) **Date of Patent:** **** Nov. 13, 2012**

(54) **POURING SPOUT**

(76) Inventor: **Brian Luzano-Belfield**, Alameda, CA
(US)

(**) Term: **14 Years**

(21) Appl. No.: **29/374,523**

(22) Filed: **Aug. 26, 2011**

(51) **LOC (9) Cl.** **09-07**

(52) **U.S. Cl.** **D9/447; D9/440**

(58) **Field of Classification Search** D9/723,
D9/447, 440, 741, 436, 717; D7/398, 321;
D24/110, 129; 222/211, 210, 189.02, 137,
222/1, 446, 529, 530, 81, 109, 539, 464.1;
239/33

See application file for complete search history.

(56) **References Cited**

U.S. PATENT DOCUMENTS

2,620,093	A *	12/1952	Rose	222/109
D178,715	S *	9/1956	Worden	D9/440
3,338,564	A *	8/1967	Roeder	261/18.1
4,286,735	A *	9/1981	Sneider	222/211
D264,428	S *	5/1982	Jones	D9/741
4,462,544	A *	7/1984	Rutzel et al.	239/33
4,595,130	A *	6/1986	Berney	222/539
4,699,318	A *	10/1987	Donatello et al.	239/33
D336,043	S *	6/1993	Provencio	D9/436

D413,798	S *	9/1999	LaMarra	D9/717
6,669,062	B1 *	12/2003	Laible	222/464.1
D522,359	S *	6/2006	Van Diepen et al.	D9/447
D574,237	S *	8/2008	Yates, III	D9/447
D605,037	S *	12/2009	Schrimpf	D9/447
D622,149	S *	8/2010	Bernstein et al.	D9/526
2011/0132922	A1 *	6/2011	Summers et al.	222/1

* cited by examiner

Primary Examiner — Susan Bennett Hattan

(74) *Attorney, Agent, or Firm* — JAG Patent Services LLC;
James A. Gavney, Jr.

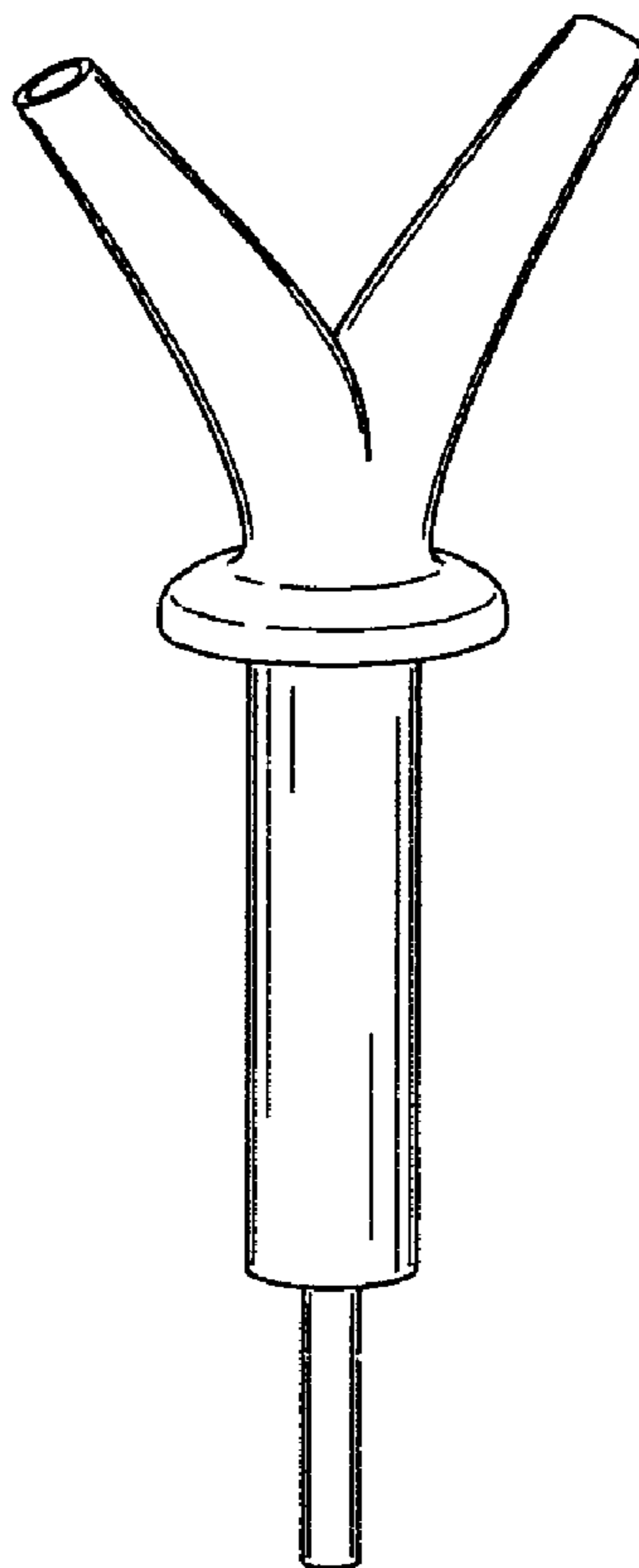
(57) **CLAIM**

I claim the ornamental design for the pouring spout, as shown and described.

DESCRIPTION

FIG. 1 illustrates a perspective view of a pouring spout;
FIG. 2 illustrates a perspective view of a pouring spout
attached to a bottle neck;
FIG. 3 illustrates a front plan view thereof;
FIG. 4 illustrates a back plan view thereof;
FIG. 5 illustrates a right side plan view thereof;
FIG. 6 illustrates a left side plan view thereof;
FIG. 7 illustrates a top plan view thereof; and,
FIG. 8 illustrates a bottom plan view thereof.
The broken lines in the drawings depict environmental sub-
ject matter only and form no part of the claimed design.

1 Claim, 2 Drawing Sheets



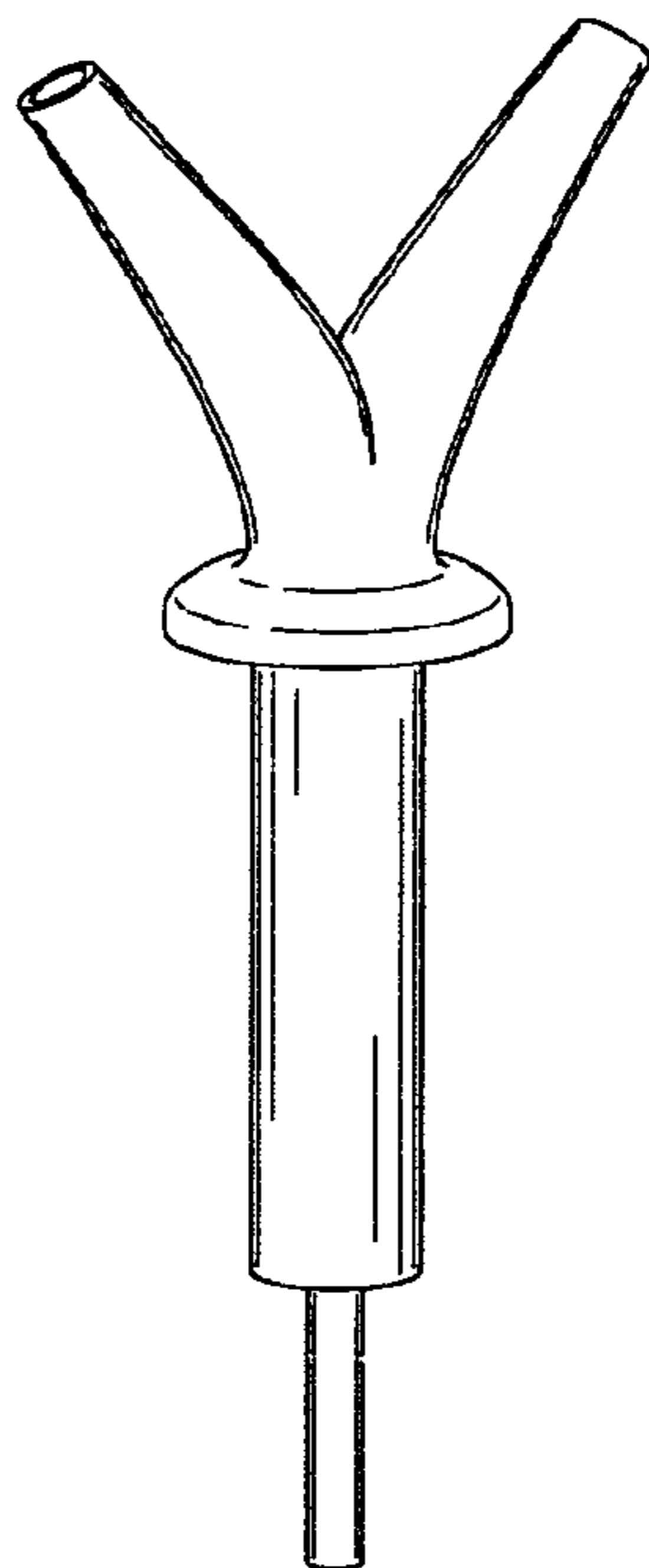


FIG. 1

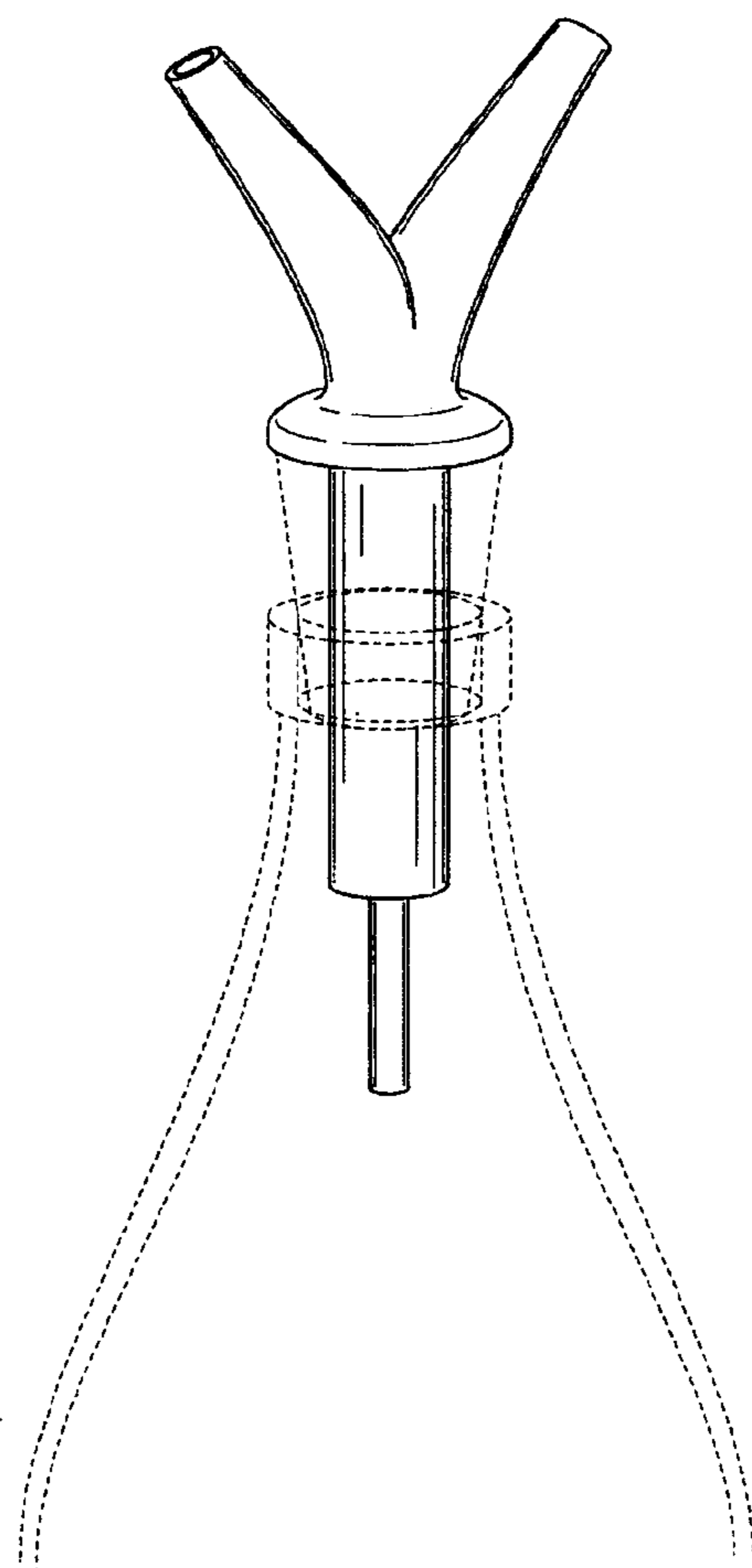


FIG. 2

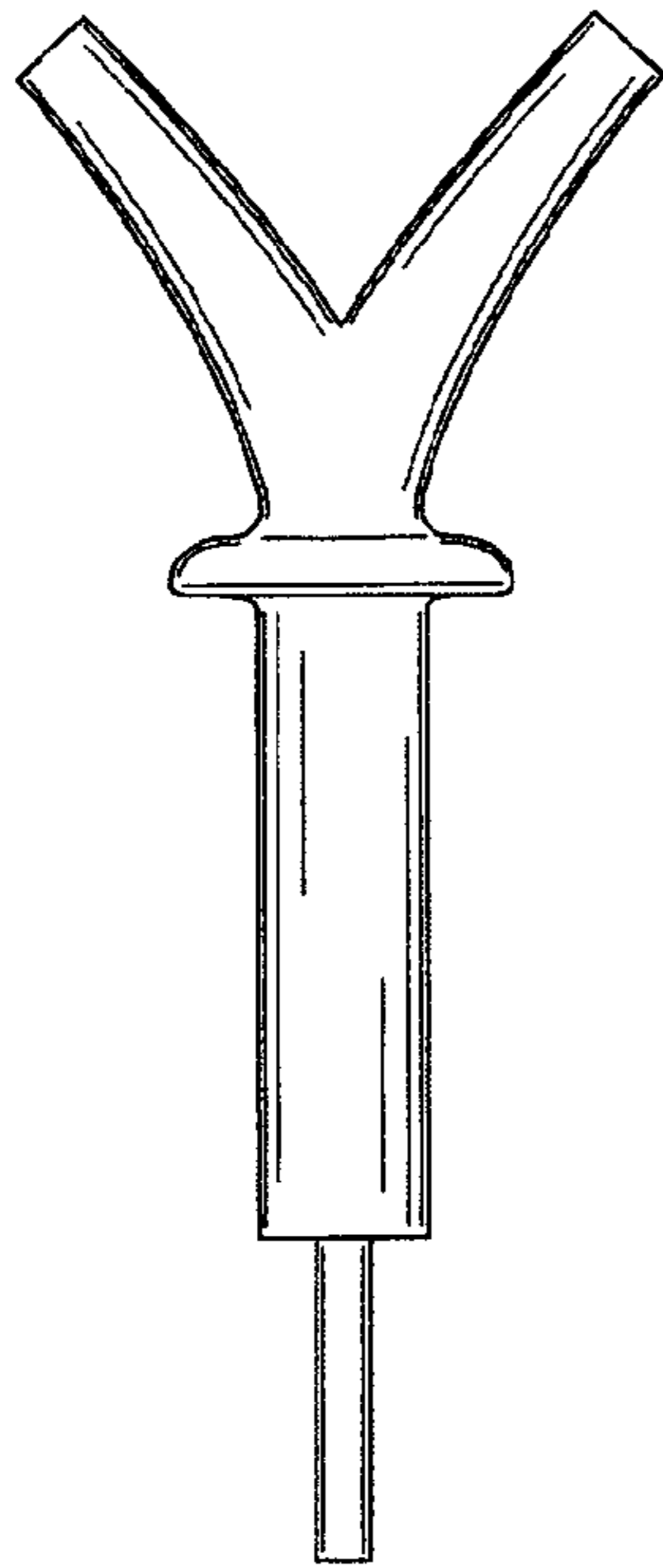


FIG. 3

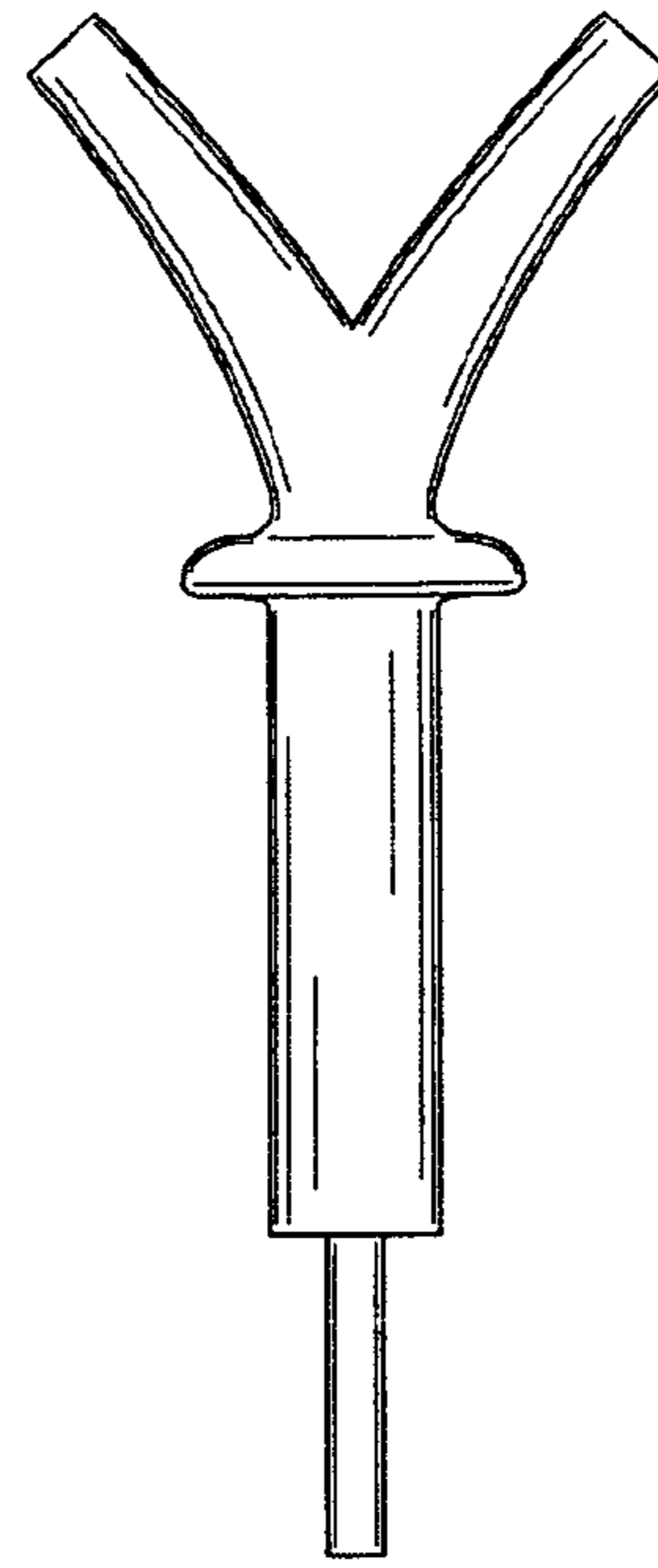


FIG. 4

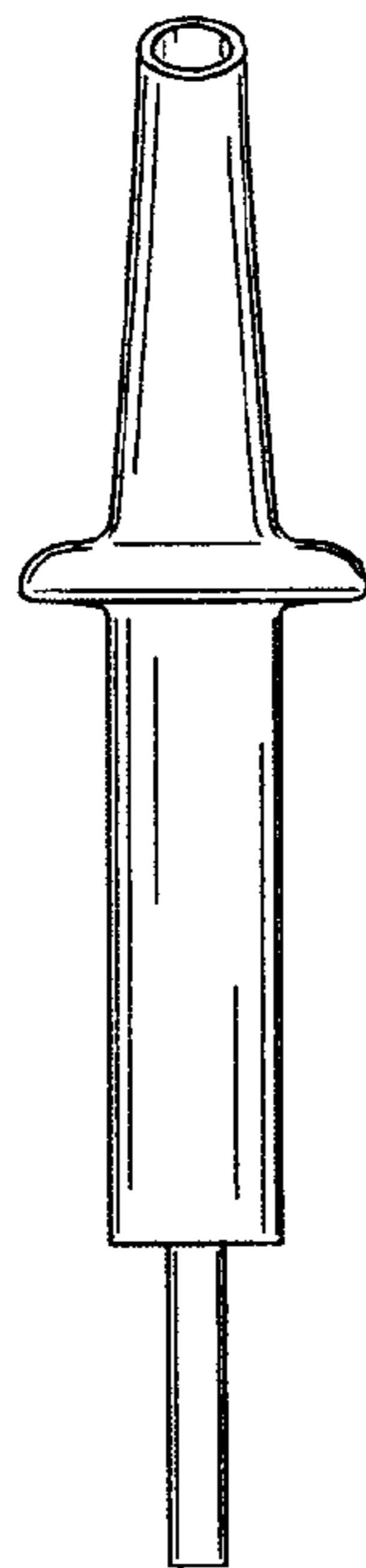


FIG. 5

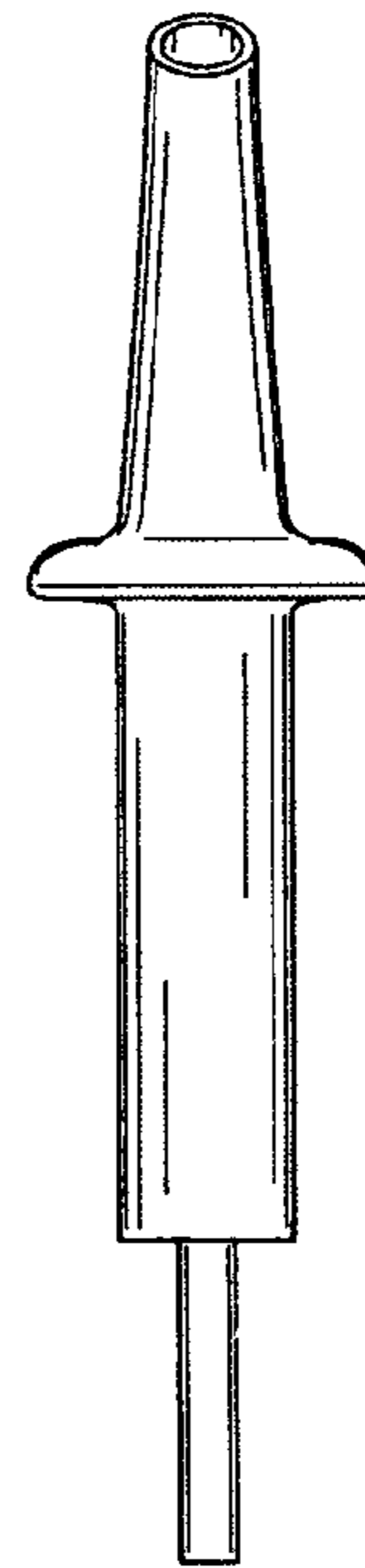


FIG. 6

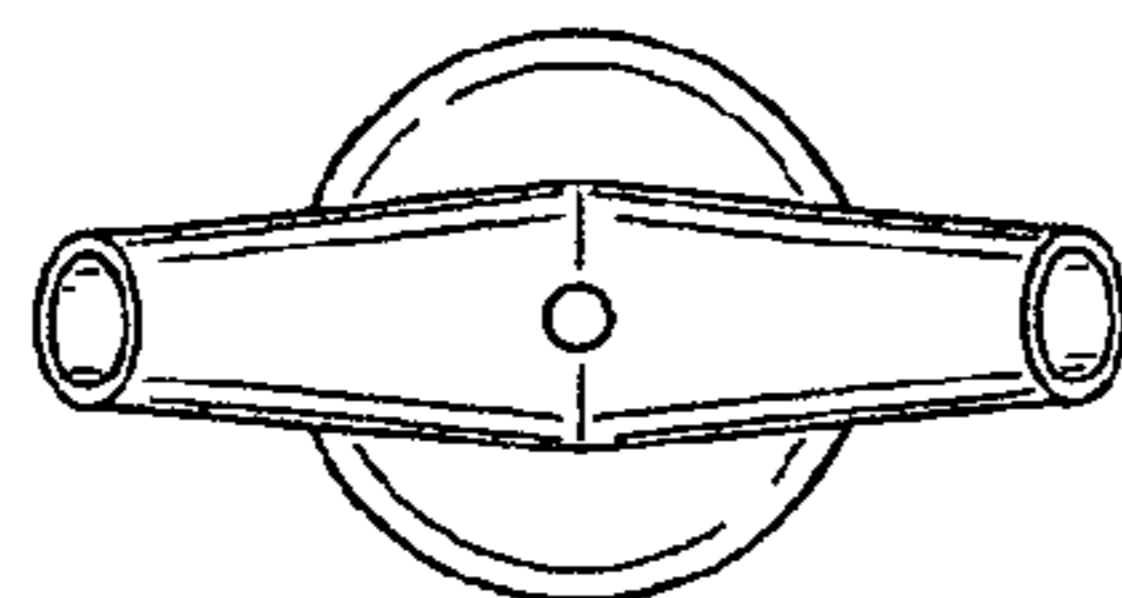


FIG. 7

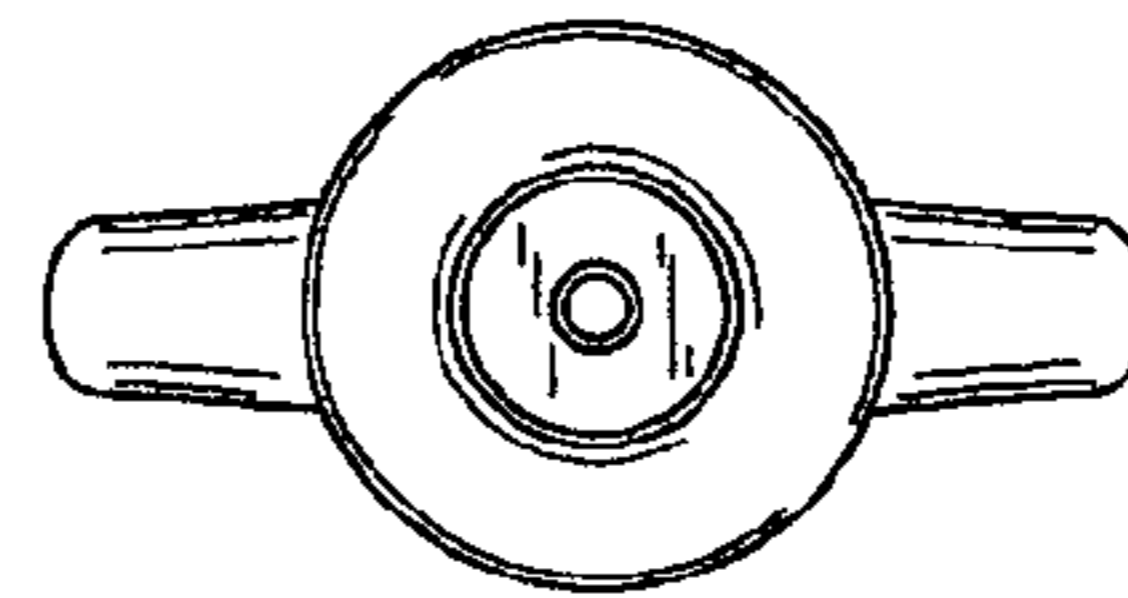


FIG. 8