

US00D670556S

(12) **United States Design Patent**
Napier et al.

(10) **Patent No.:** **US D670,556 S**

(45) **Date of Patent:** **** Nov. 13, 2012**

(54) **SHOWER ROD MOUNTING BRACKET**

(75) Inventors: **Rodney L. Napier**, Canton, OH (US);
David Brokaw, North Canton, OH (US)

(73) Assignee: **Fridge Electric, LLC**, Canton, OH (US)

(**) Term: **14 Years**

(21) Appl. No.: **29/382,042**

(22) Filed: **Dec. 28, 2010**

(51) **LOC (9) Cl.** **08-05**

(52) **U.S. Cl.** **D8/376**

(58) **Field of Classification Search** D8/363,
D8/373, 376, 377; 248/263, 327, 253, 261,
248/264, 132.1; 211/105.1; D6/575, 576,
D6/577, 578, 579, 580, 581; 4/449, 476,
4/558, 610, 609; D23/263; 239/76

See application file for complete search history.

(56) **References Cited**

U.S. PATENT DOCUMENTS

1,505,208	A *	8/1924	Larner	285/132.1
2,923,013	A *	2/1960	Wasserman	4/610
3,376,897	A *	4/1968	Dolder et al.	138/39
4,865,254	A *	9/1989	Kragle	239/76
5,007,664	A *	4/1991	Mann	285/330
D347,271	S *	5/1994	Inda et al.	D23/263
5,352,215	A *	10/1994	Thome et al.	604/284

5,371,908	A *	12/1994	Secondine	4/609
5,513,419	A *	5/1996	Zinger	16/87.4 R
D435,637	S *	12/2000	Wales	D23/263
D586,647	S *	2/2009	Didehvar	D8/376

* cited by examiner

Primary Examiner — Robert M Spear

Assistant Examiner — Rashida C McCoy

(74) *Attorney, Agent, or Firm* — Sand & Sebolt

(57) **CLAIM**

The ornamental design for shower rod mounting bracket, as shown and described.

DESCRIPTION

FIG. 1 is a perspective view of a shower rod mounting bracket in accordance with the present design;

FIG. 2 is a front perspective view thereof;

FIG. 3 is a rear perspective view thereof;

FIG. 4 is a top view thereof;

FIG. 5 is a bottom view thereof;

FIG. 6 is a front view thereof;

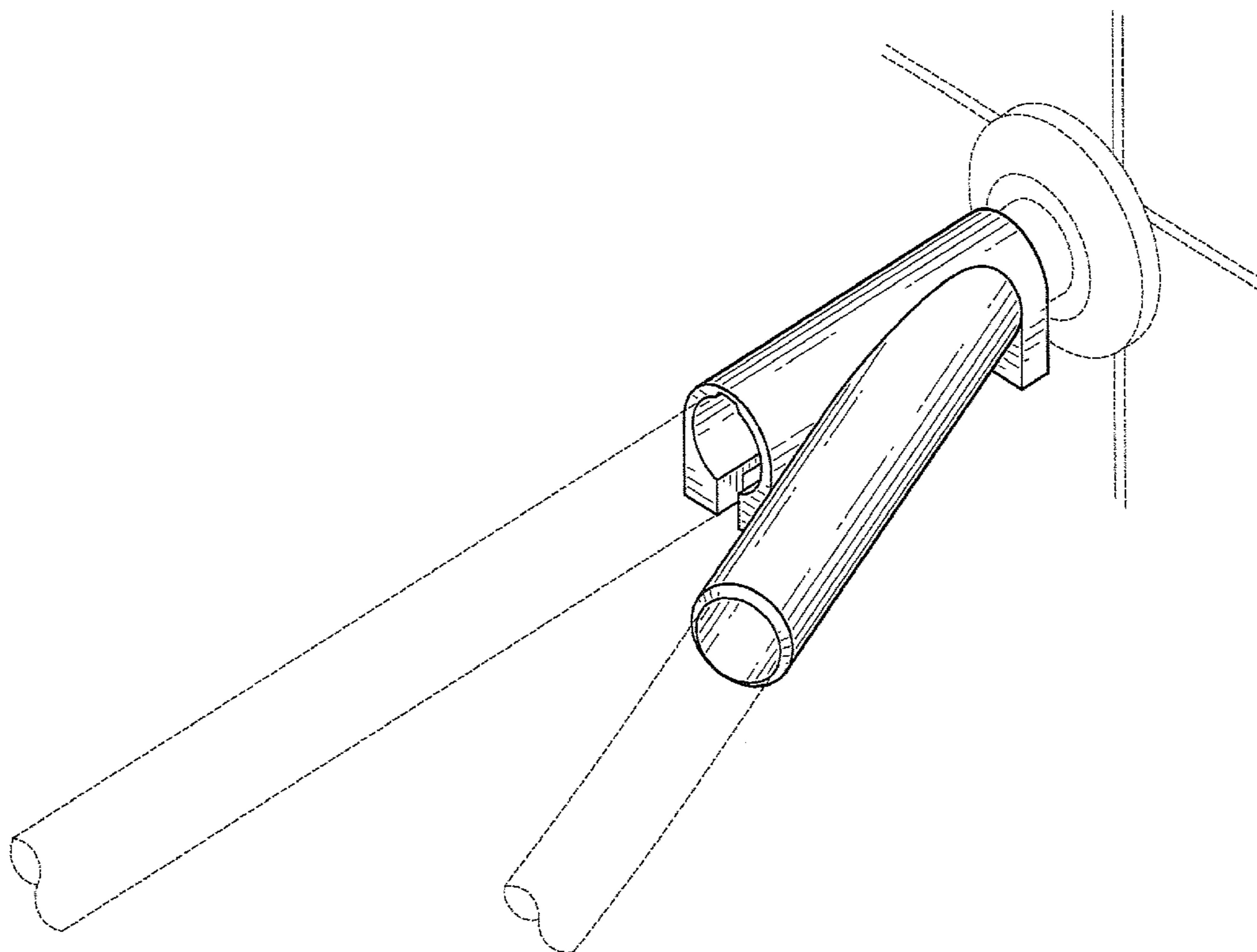
FIG. 7 is a rear view thereof;

FIG. 8 is a left side view thereof; and,

FIG. 9 is a right side view thereof.

The broken lines showing the shower rods, ring bracket and wall in FIG. 1 depict unclaimed environmental subject matter and form no part of the claimed design.

1 Claim, 7 Drawing Sheets



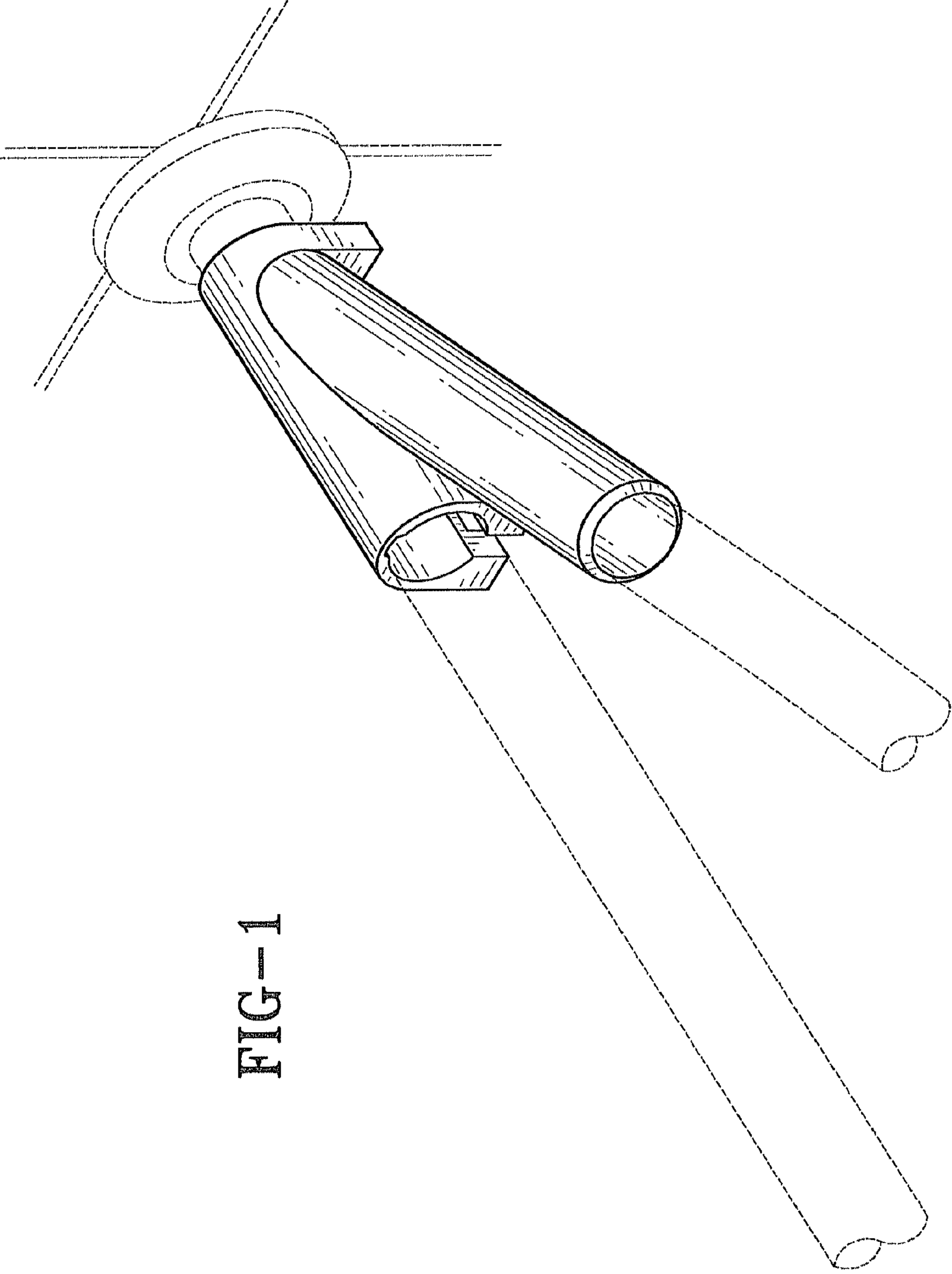


FIG-1

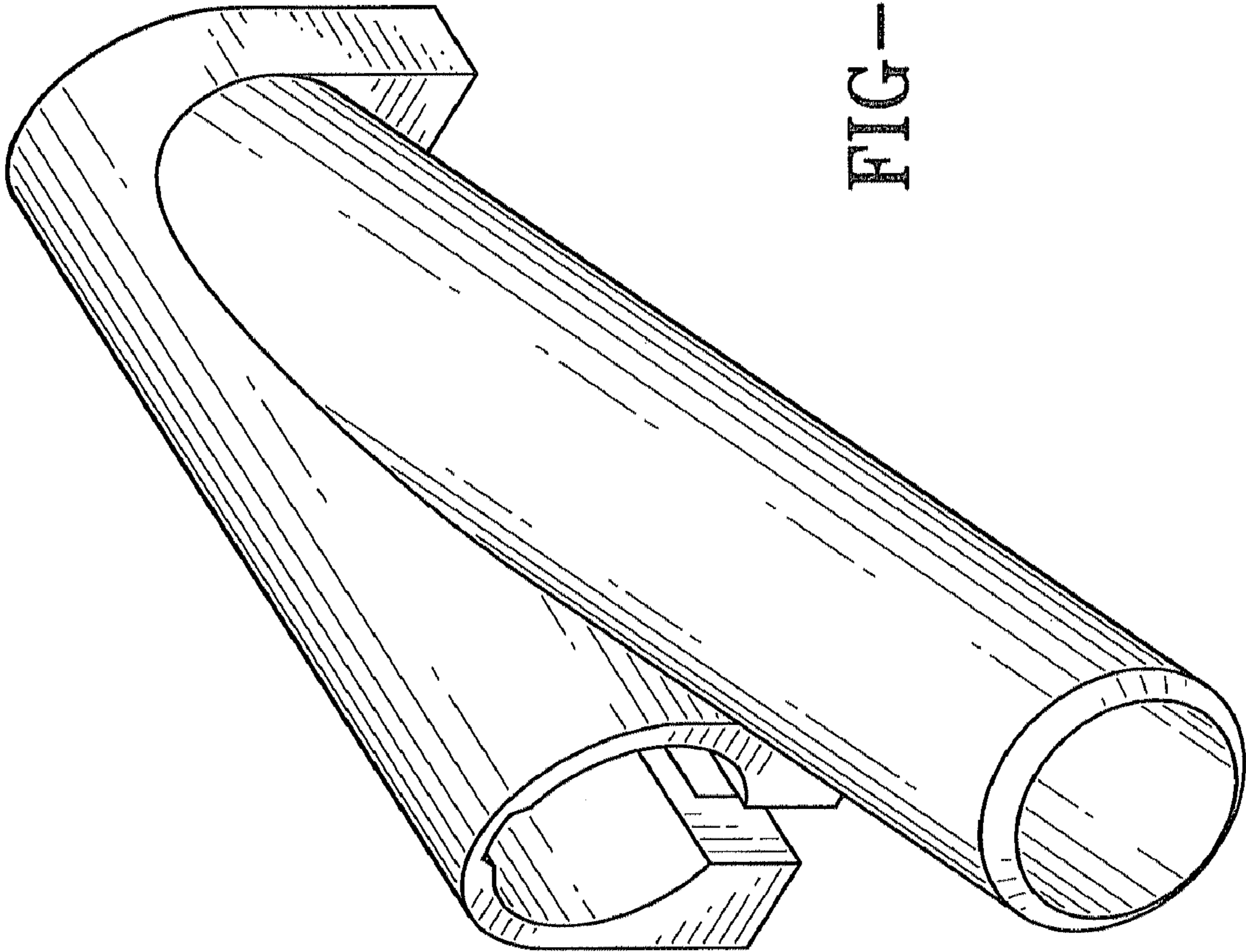


FIG-2

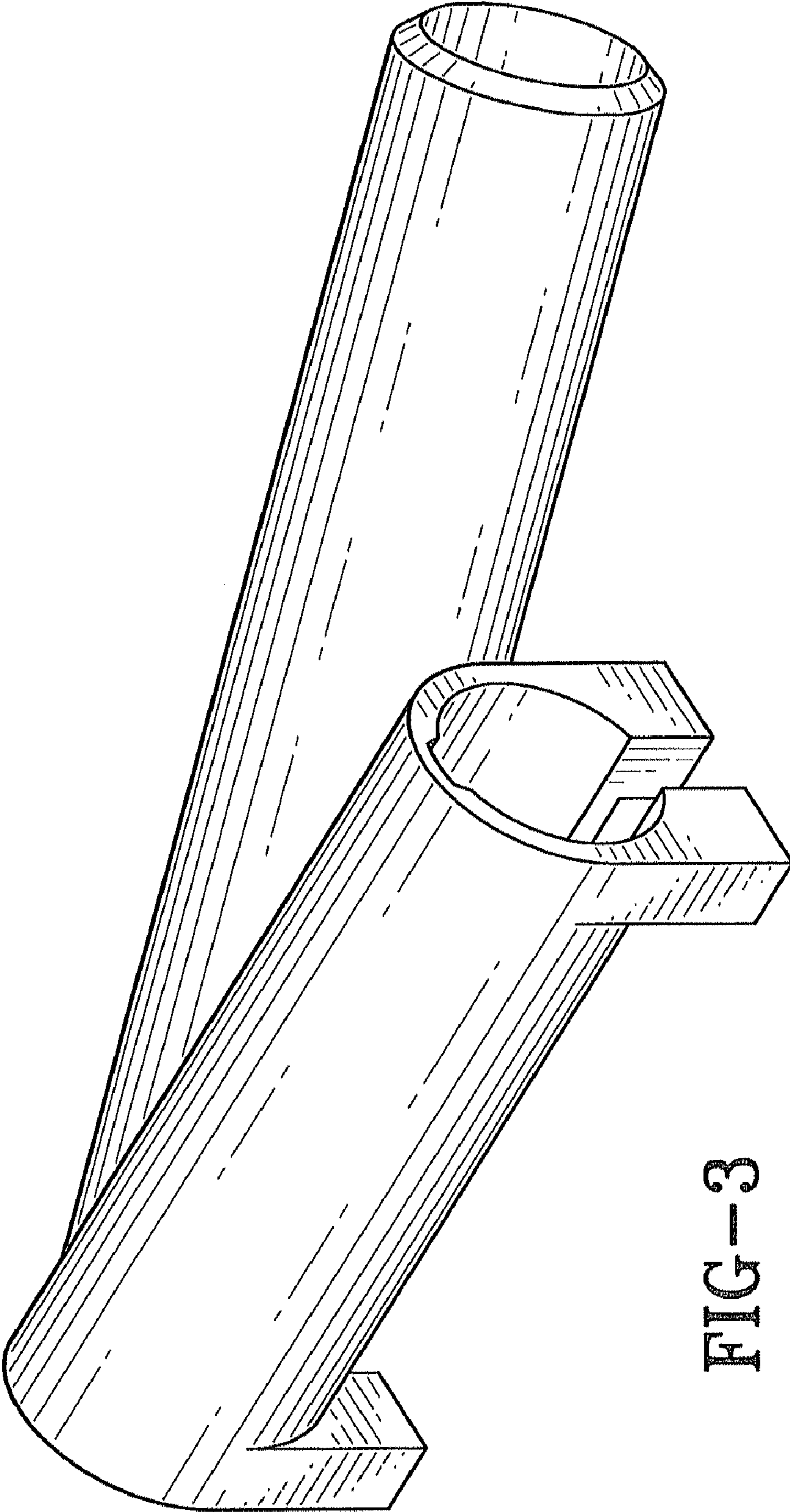


FIG-3

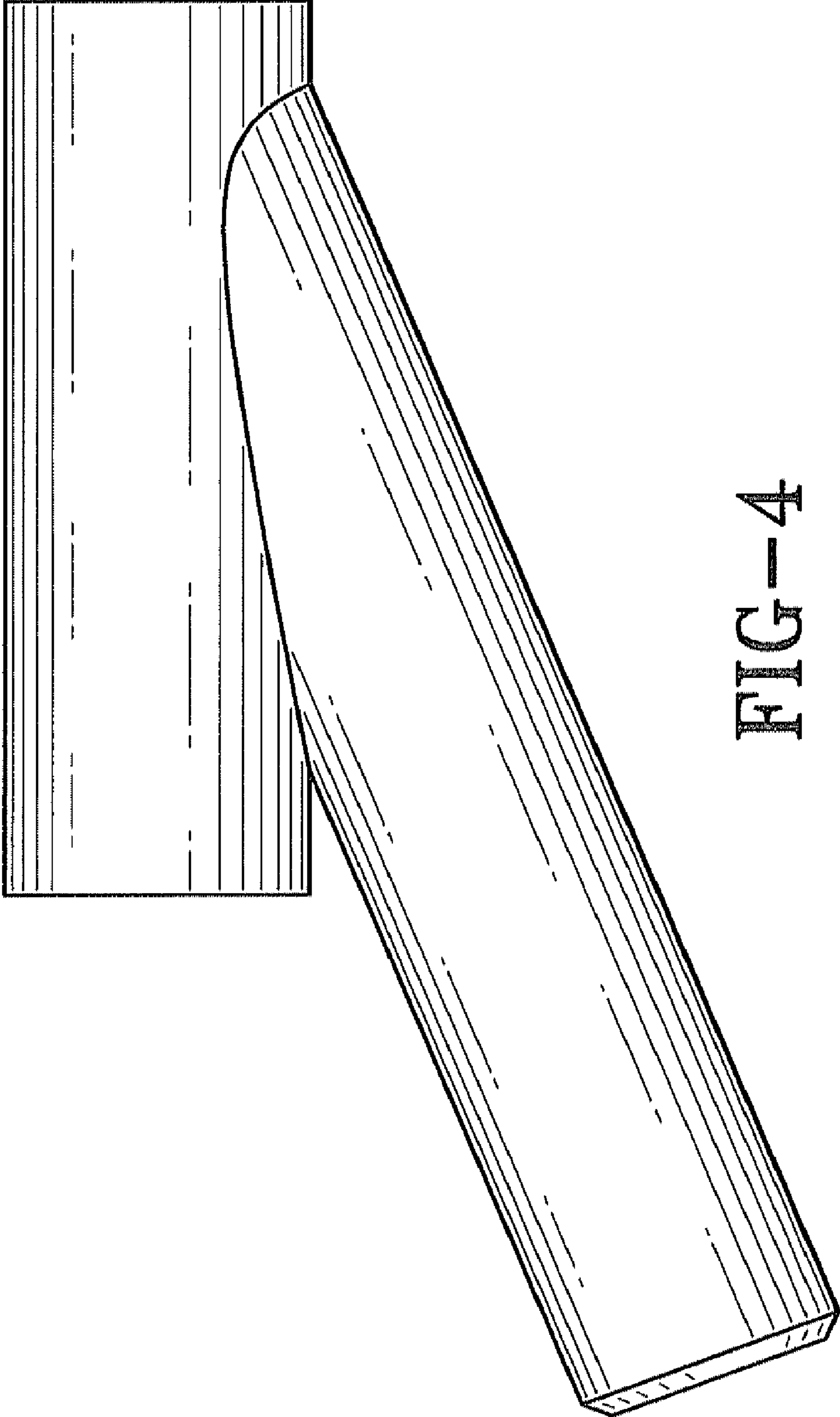


FIG-4

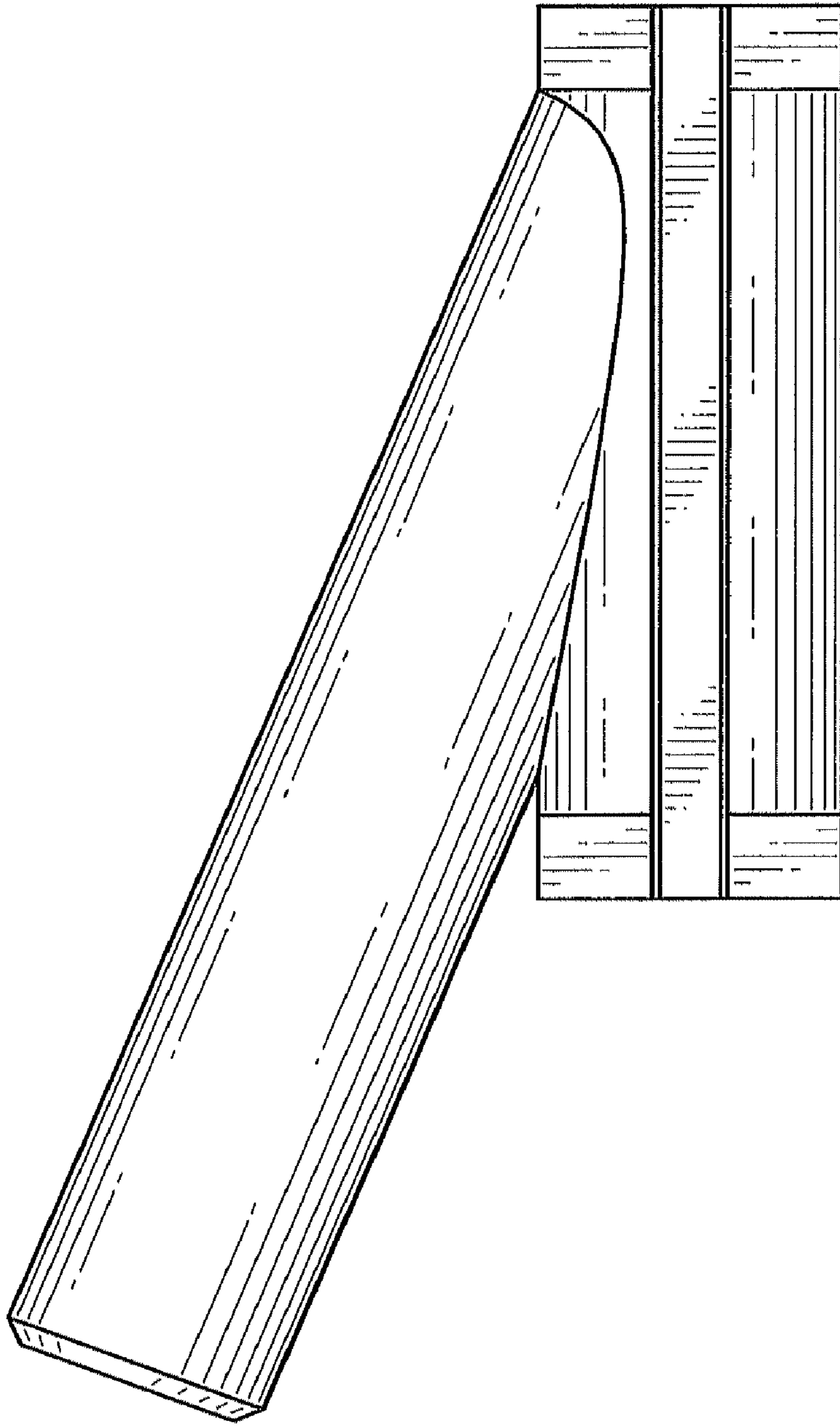


FIG-5

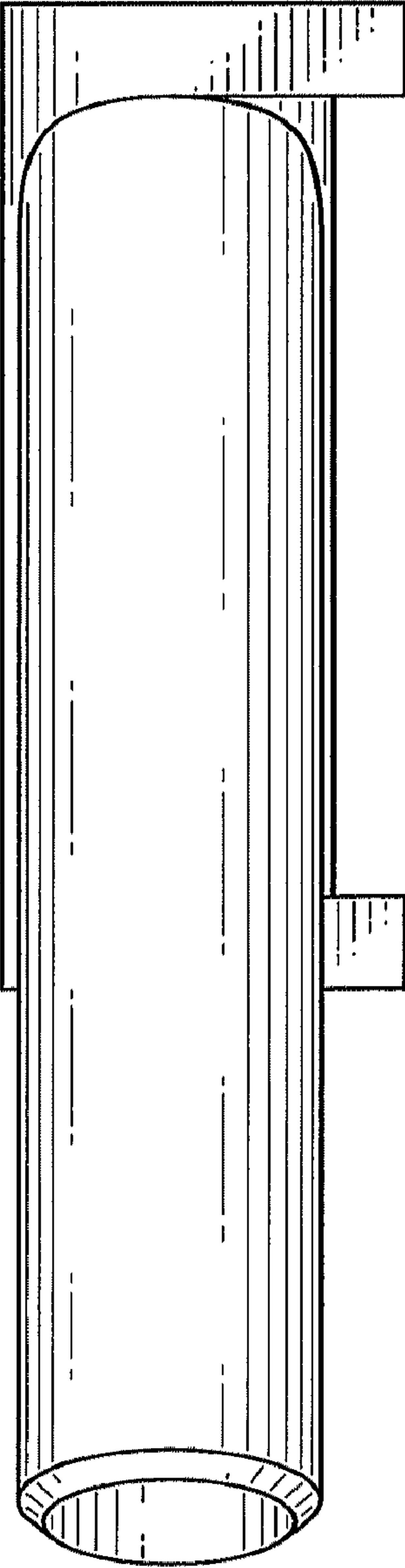


FIG-6

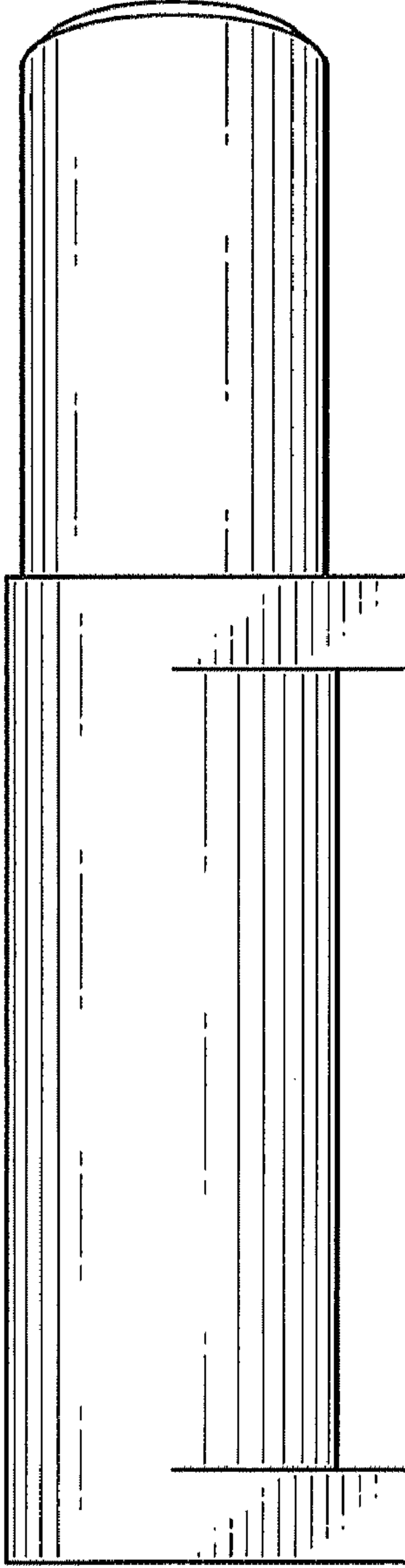


FIG-7

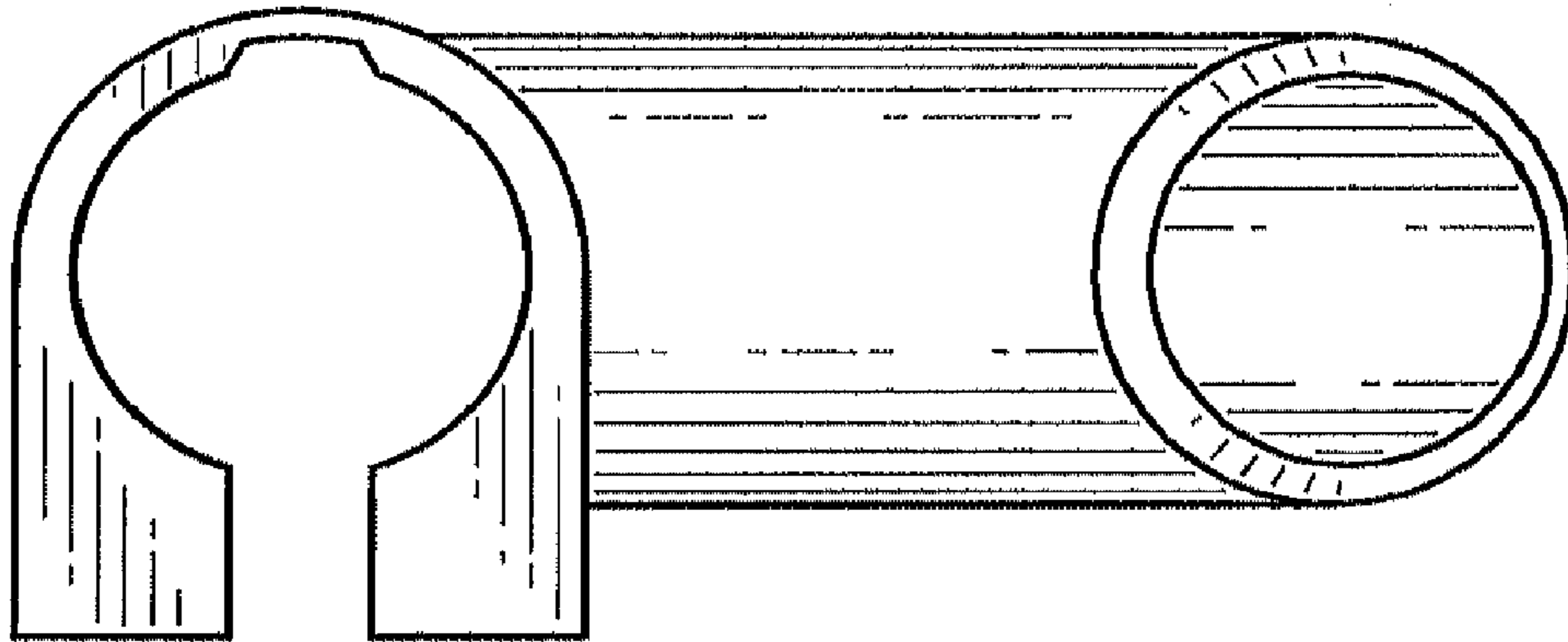


FIG-8

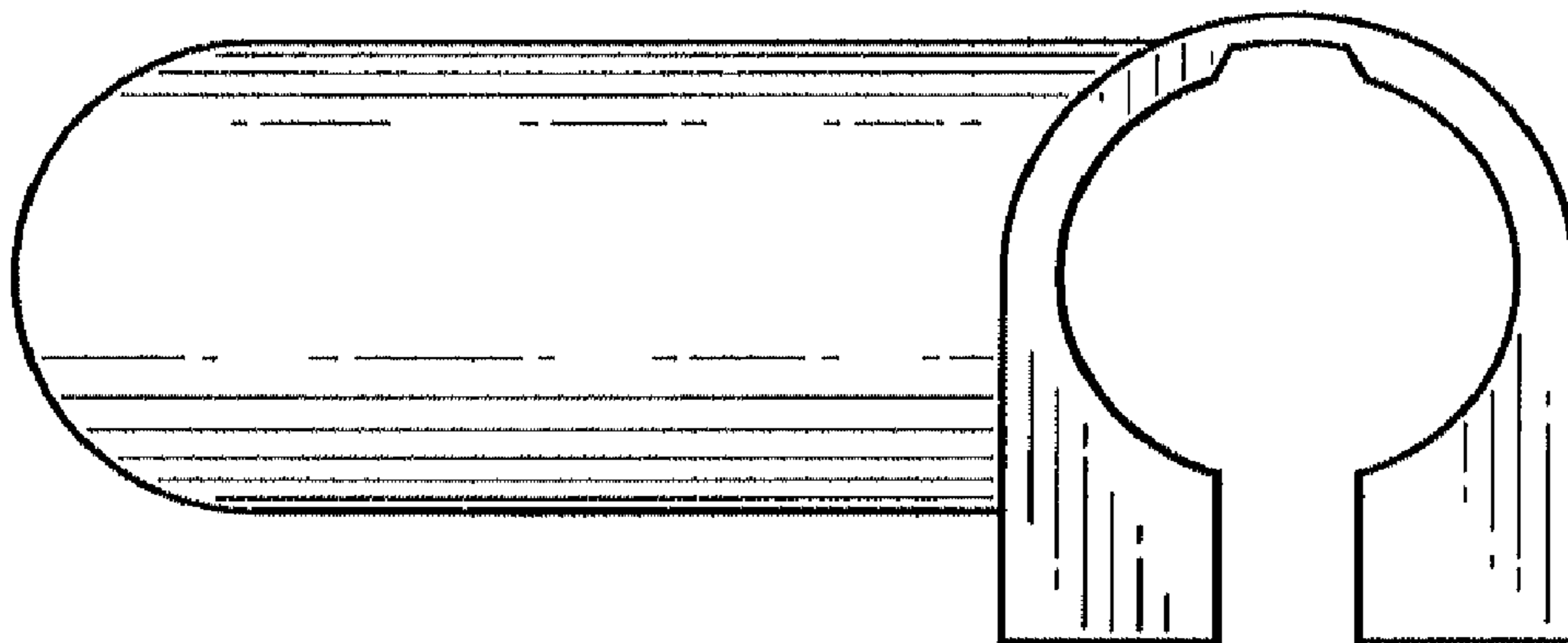


FIG-9