



US00D670555S

(12) **United States Design Patent**
Lin

(10) **Patent No.:** **US D670,555 S**

(45) **Date of Patent:** **** Nov. 13, 2012**

(54) **BOLT SNAP**

(76) Inventor: **Ralph Lin**, Taipei (TW)

(**) Term: **14 Years**

(21) Appl. No.: **29/417,769**

(22) Filed: **Apr. 9, 2012**

(51) **LOC (9) Cl.** **08-05**

(52) **U.S. Cl.** **D8/367**

(58) **Field of Classification Search** D8/367,
D8/371, 373, 354-356, 349; D6/323; 248/215,
248/301, 339, 349.1; 160/349.1, 349.2; 24/265 H,
24/265 R, 599.1, 599.8, 113 R, 573.5; 294/82.18;
29/525.1, 45.3; D3/24; 223/106

See application file for complete search history.

(56) **References Cited**

U.S. PATENT DOCUMENTS

D272,717 S *	2/1984	Faidide	D8/367
D283,673 S *	5/1986	Berg	D8/367
D297,878 S *	9/1988	Bergstrom	D34/35
D337,935 S *	8/1993	Hawley	D8/367
6,550,413 B2 *	4/2003	Fiorentino et al.	114/311

D491,049 S *	6/2004	Kung	D8/367
D500,244 S *	12/2004	Yoshiguchi	D8/367
D601,410 S *	10/2009	Lee	D8/367

* cited by examiner

Primary Examiner — Cynthia Underwood

(74) *Attorney, Agent, or Firm* — Apex Juris, pllc; Tracy M. Heims

(57) **CLAIM**

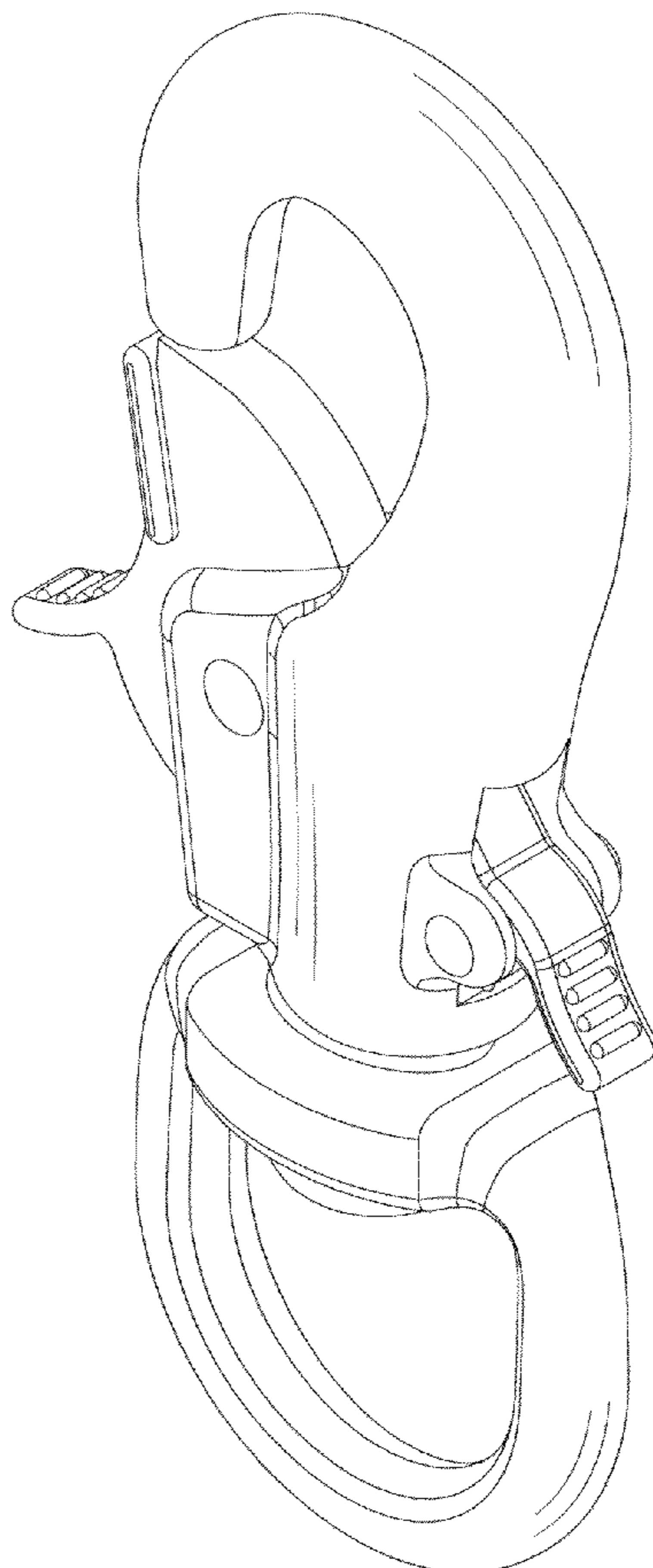
The ornamental design for a bolt snap, as shown and described.

DESCRIPTION

FIG. 1 shows a perspective view of the present design;
FIG. 2 shows a right view thereof;
FIG. 3 shows a top view thereof;
FIG. 4 shows a front view thereof;
FIG. 5 shows a bottom view thereof;
FIG. 6 shows a left view thereof; and,
FIG. 7 shows a rear view thereof.

The broken lines represent portions of the structure that form no part of the claim.

1 Claim, 7 Drawing Sheets



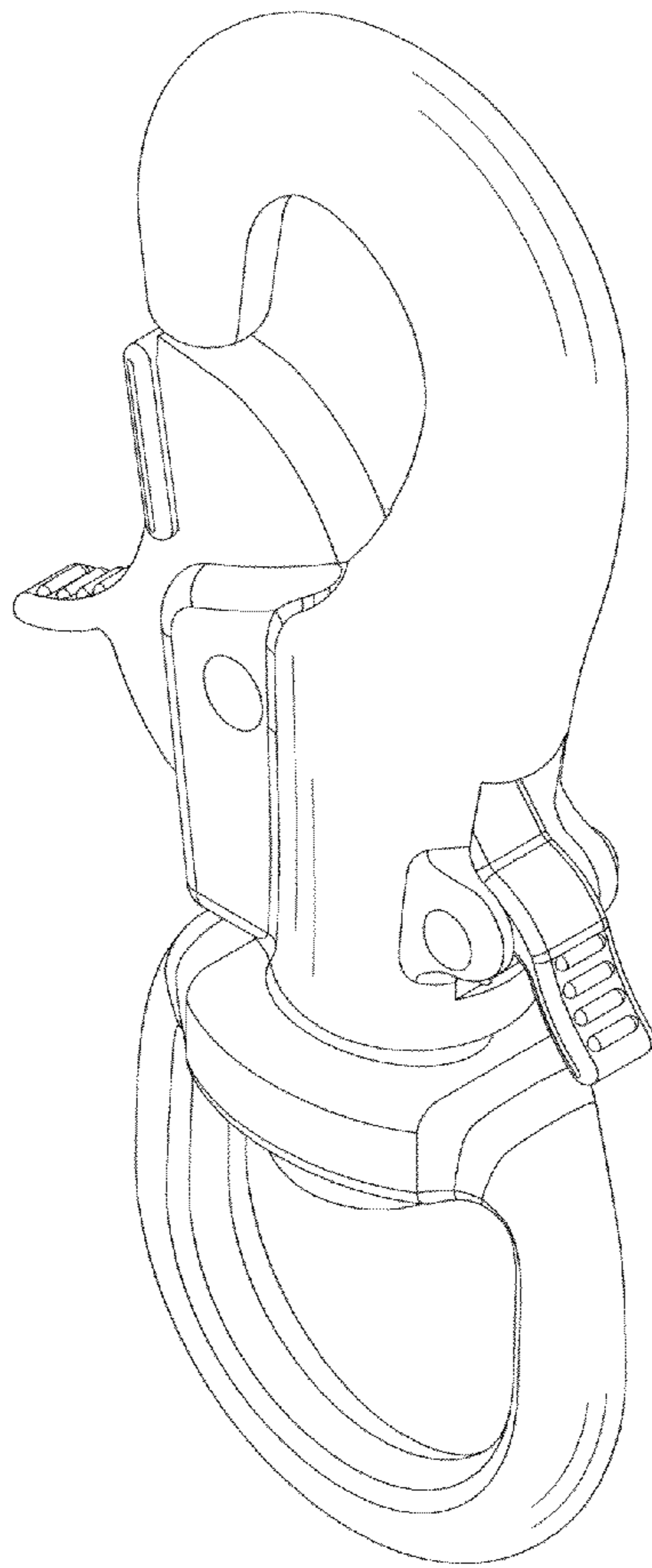


Fig. 1

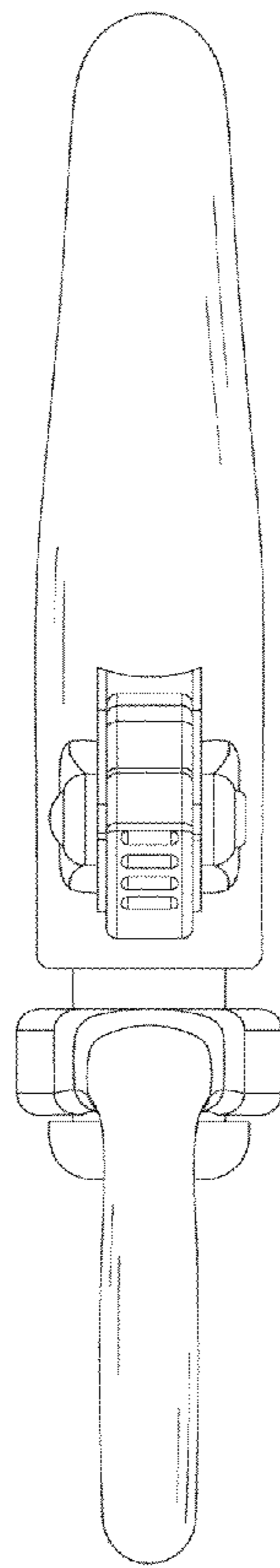


Fig. 2

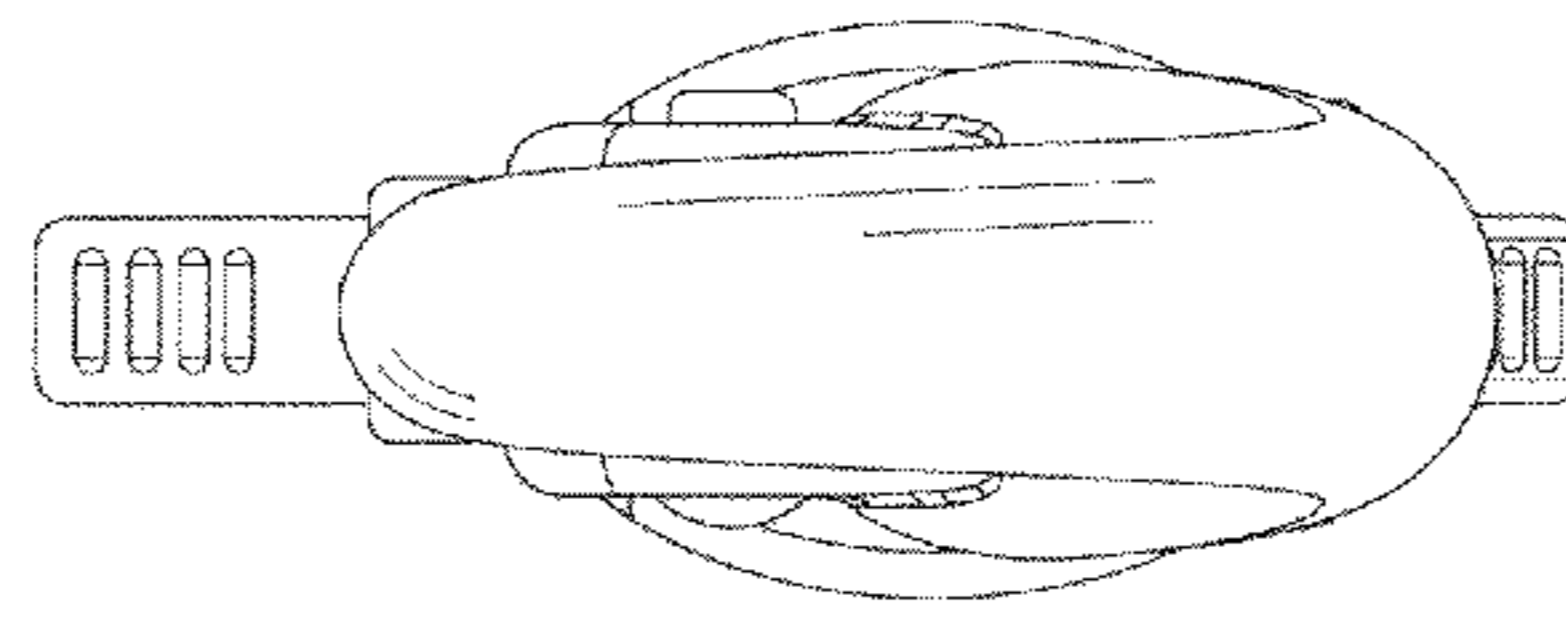


Fig. 3

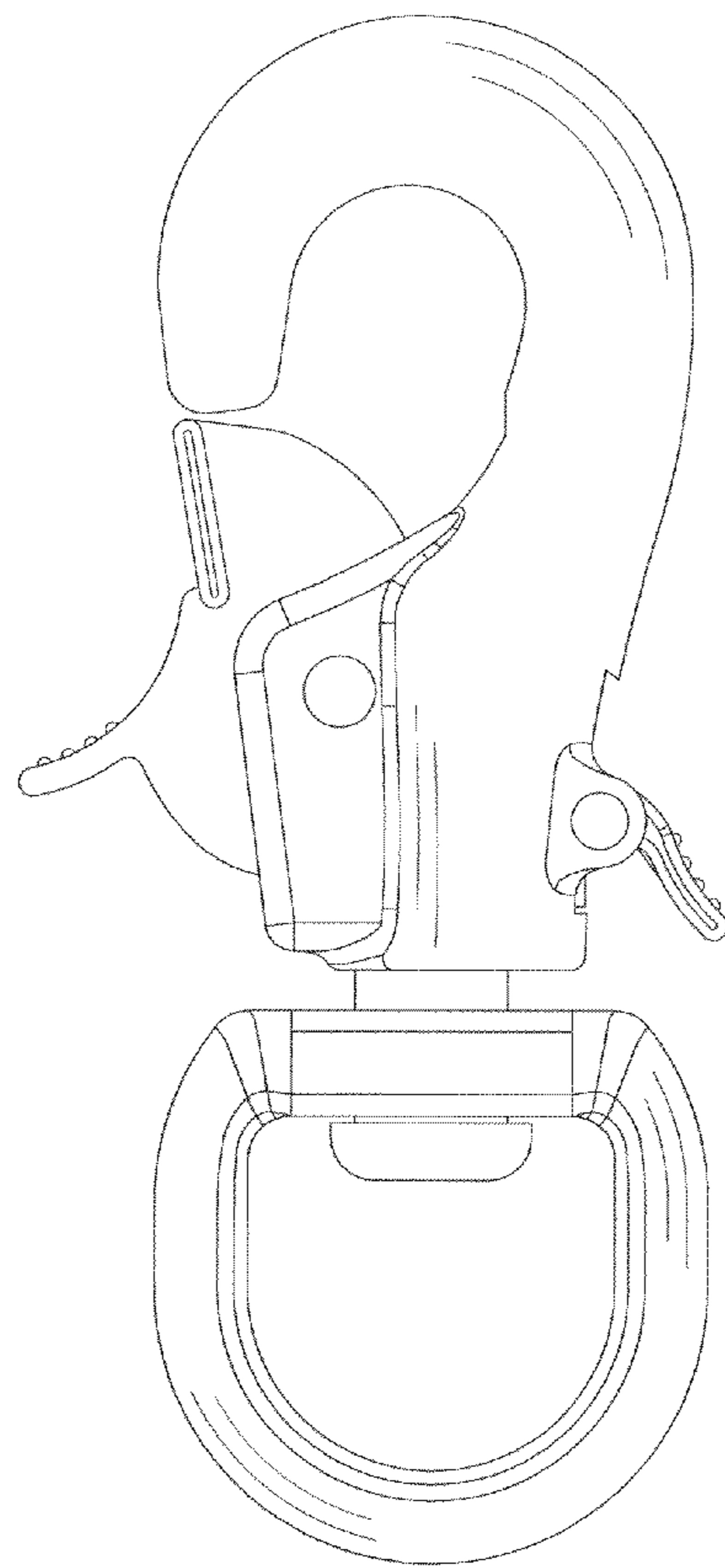


Fig. 4

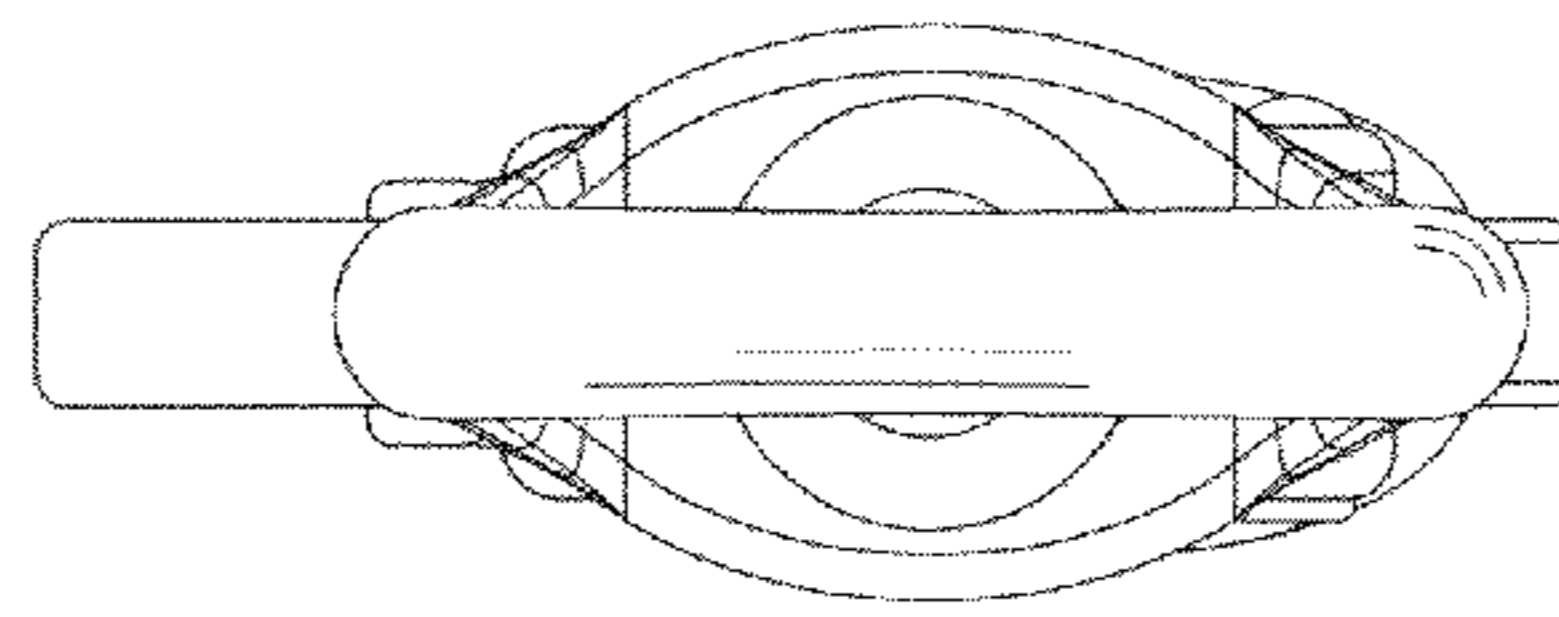


Fig. 5

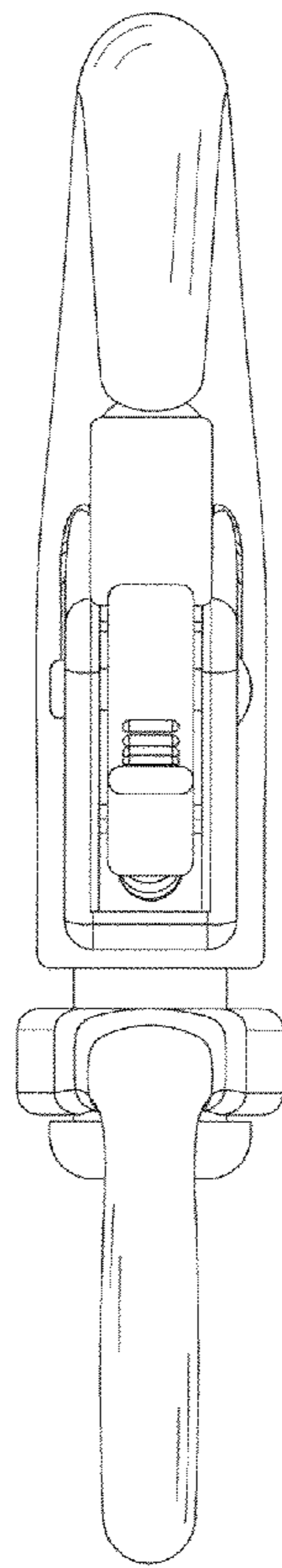


Fig. 6

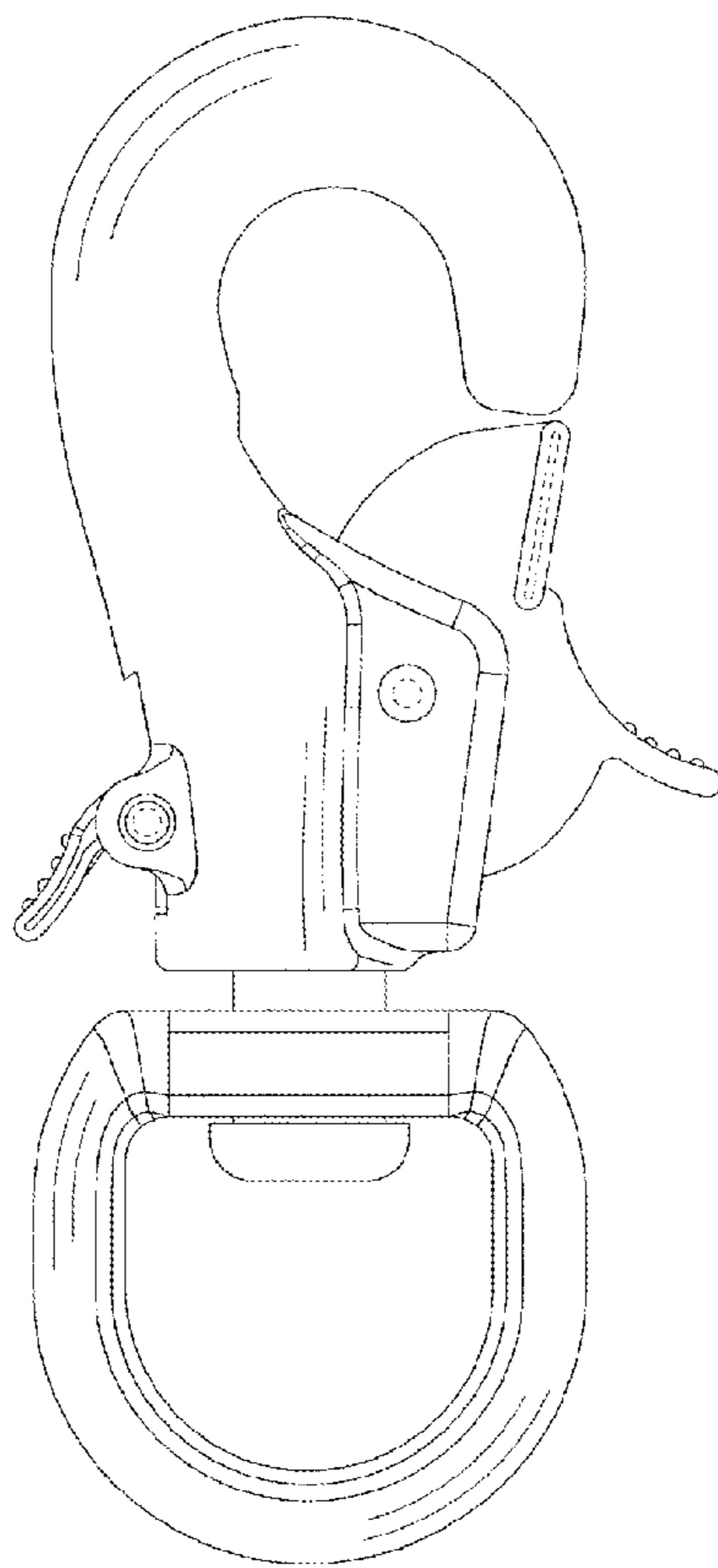


Fig. 7