



US00D670553S

(12) **United States Design Patent**
Mahaffey et al.

(10) **Patent No.:** **US D670,553 S**

(45) **Date of Patent:** **** Nov. 13, 2012**

(54) **ATTACHMENT DEVICE FOR SECURITY APPARATUS**

(75) Inventors: **Robert Mahaffey**, Vancouver (CA); **John Hung**, Vancouver (CA); **John Tan**, Vancouver (CA); **Will Ali**, Vancouver (CA); **Ryan White**, Salem, MA (US); **Michael Xiao Lei Liang**, Vancouver (CA)

505,299 A 9/1893 Schneider
541,630 A 6/1895 Ridgway
606,734 A 7/1898 Olmstead
611,646 A 10/1898 Parker
786,842 A 4/1905 Robeson
881,364 A 3/1908 Wheeler
934,928 A 9/1909 Michel
942,537 A 12/1909 Batdorf

(Continued)

FOREIGN PATENT DOCUMENTS

(73) Assignee: **ACCO Brands Corporation**, Lincolnshire, IL (US)

CA 454901 A 3/1949

(Continued)

(**) Term: **14 Years**

OTHER PUBLICATIONS

(21) Appl. No.: **29/420,544**

Chung, Matthew; "Kensington Introduces Its ClickSafe Notebook Lock"; 2010, [http://www.zdnet.com/blog/gadgetreviews/kensington-clicksafe-locks-up-laptops-with-the-s . . .](http://www.zdnet.com/blog/gadgetreviews/kensington-clicksafe-locks-up-laptops-with-the-s...), 2 pages.

(22) Filed: **May 10, 2012**

(Continued)

Related U.S. Application Data

(60) Division of application No. 29/406,588, filed on Nov. 16, 2011, now Pat. No. Des. 661,975, which is a continuation of application No. 29/373,522, filed on Apr. 19, 2011, now Pat. No. Des. 651,889.

Primary Examiner — Prabhakar Deshmukh

(74) *Attorney, Agent, or Firm* — Kilpatrick Townsend & Stockton LLP

(51) **LOC (9) Cl.** **08-07**

(57) **CLAIM**

(52) **U.S. Cl.** **D8/343; D8/339; D8/330**

The ornamental design for an attachment device for security apparatus, as shown and described.

(58) **Field of Classification Search** D8/330, D8/331, 332, 334, 339, 343, 300, 367, 354; 70/14, 20-22, 57, 57.1, 58, 163, 174, 179, 70/180, 266, 431, 447, 448, 449, 183, 258, 70/384, 169, 182, 132, 187, 289; 248/551, 248/553; 439/304; D23/262; D12/162, D12/400, 106

DESCRIPTION

See application file for complete search history.

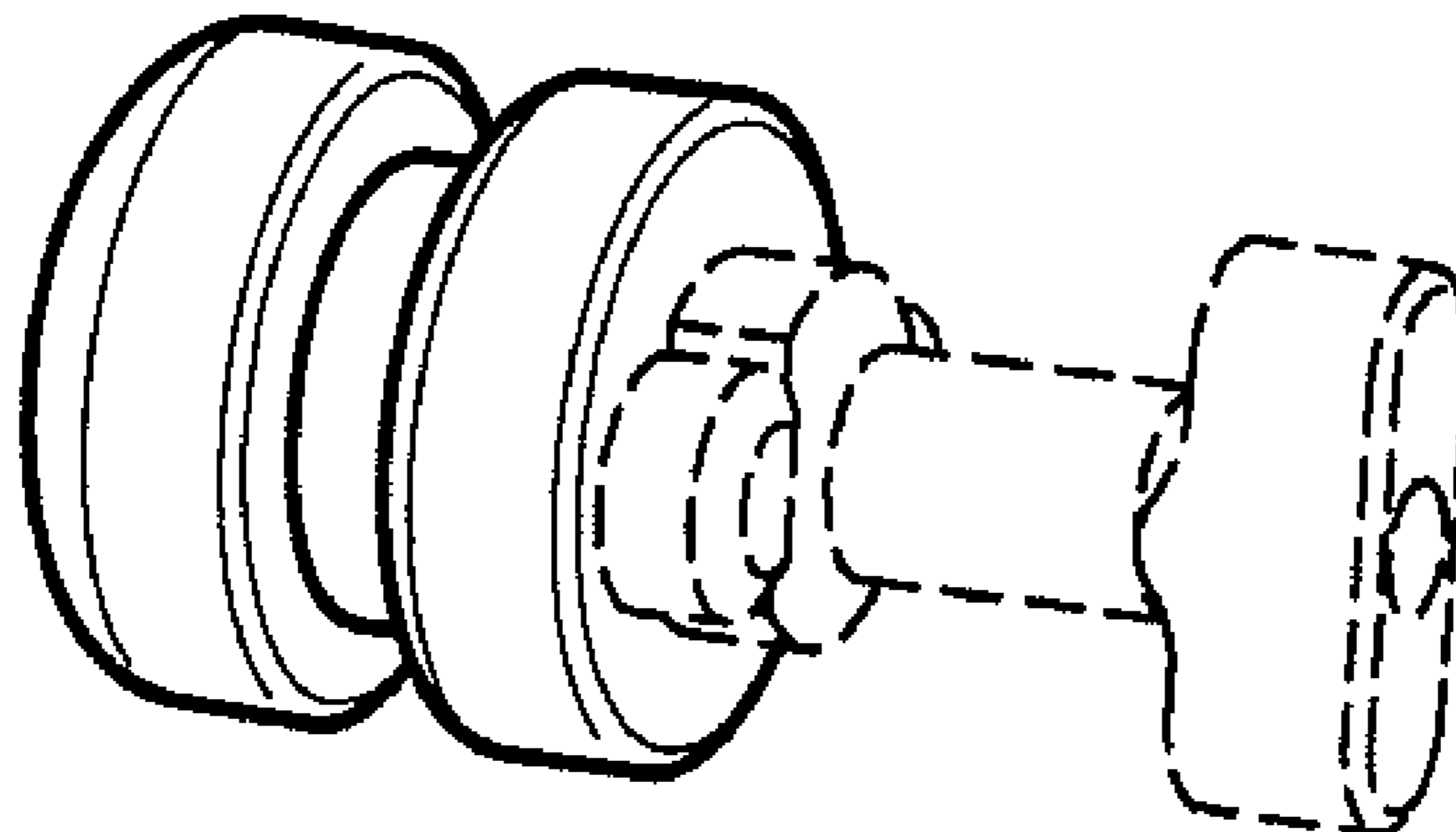
FIG. 1 is a right side perspective view of an embodiment of an attachment device for security apparatus showing our new design;
FIG. 2 is a front elevational view thereof;
FIG. 3 is a top plan view thereof;
FIG. 4 is a right side elevational view thereof, the left side elevational view being a mirror image thereof; and,
FIG. 5 is a rear elevational view thereof.
The dotted lines in the drawings form no part of the claimed design.

(56) **References Cited**

U.S. PATENT DOCUMENTS

14,059 A 1/1856 Harrison, Jr.
87,045 A 2/1869 Holmes
95,509 A 10/1869 Petre
285,074 A 9/1883 Rhoades et al.

1 Claim, 1 Drawing Sheet



US D670,553 S

U.S. PATENT DOCUMENTS							
952,411	A	3/1910	Billy	3,772,645	A	11/1973	Odenz et al.
989,484	A	4/1911	Campbell	3,782,146	A	1/1974	Franke
1,004,333	A	9/1911	Alsterberg	3,783,660	A	1/1974	Gill
1,050,276	A	1/1913	Johnson	3,785,183	A	1/1974	Sander
1,101,450	A	6/1914	Kerry	3,798,934	A	3/1974	Wright et al.
1,213,992	A	1/1917	Wright	3,813,906	A	6/1974	Kerr
1,270,205	A	6/1918	Pongracz	3,817,066	A	6/1974	Pearson
1,387,442	A	8/1921	Lee	3,826,510	A	7/1974	Halter
1,432,546	A	10/1922	Gillom	D232,416	S	8/1974	Gazda et al.
1,452,471	A	4/1923	Kline	3,836,704	A	9/1974	Coules
1,468,955	A	9/1923	Bresee	3,859,826	A	1/1975	Singer et al.
1,468,958	A	9/1923	Champion	3,866,873	A	2/1975	Bohli
1,470,937	A	10/1923	Schou	3,875,645	A	4/1975	Tucker et al.
1,534,936	A	4/1925	Fishchbach	3,878,700	A	4/1975	Lopez
1,672,333	A	6/1928	Miller	3,898,641	A	8/1975	Banner
1,728,902	A	9/1929	Cohen	3,903,720	A	9/1975	Scherbing
1,786,511	A	12/1930	Warren	3,905,570	A	9/1975	Nieuwveld
1,851,986	A	4/1932	Rubsamen	3,910,079	A	10/1975	Gassaway
1,891,214	A	12/1932	Falk	3,910,081	A	10/1975	Pender
1,929,679	A	10/1933	Duncan	3,939,752	A	2/1976	Koscik
1,978,935	A	10/1934	Douglas	3,986,780	A	10/1976	Nivet
1,998,050	A	4/1935	Gasdorf	3,990,276	A	11/1976	Shontz
2,001,354	A	5/1935	Smith et al.	3,995,459	A	12/1976	Weeks et al.
2,032,821	A	3/1936	Waits	3,999,410	A	12/1976	Hall
2,102,583	A	12/1937	Alberg	4,003,228	A	1/1977	Lievens et al.
2,109,109	A	2/1938	Finch	4,004,440	A	1/1977	Dreyer
2,130,216	A	9/1938	Zaninovich	4,006,615	A	2/1977	Szova
2,172,208	A	9/1939	Kurtzon	4,007,613	A	2/1977	Gassaway
2,190,661	A	2/1940	Hauer	4,018,339	A	4/1977	Pritz
2,383,397	A	8/1945	Lofqwist	4,028,913	A	6/1977	Falk
2,405,400	A	8/1946	Butterfield	4,028,916	A	6/1977	Pender
2,407,406	A	9/1946	Dutton	4,041,739	A	8/1977	Mercurio
2,435,876	A	2/1948	De Swart	4,047,748	A	9/1977	Whaley et al.
2,440,744	A *	5/1948	Grinnell et al. 70/232	4,055,973	A	11/1977	Best
2,469,874	A	5/1949	Fetsko, Jr.	4,057,984	A	11/1977	Avaiusini
2,480,662	A	8/1949	McKinzie	4,065,083	A	12/1977	Gassaway
2,530,560	A	11/1950	Young	4,066,195	A	1/1978	Dickler
2,577,956	A	12/1951	Elsberg	4,066,231	A	1/1978	Bahner et al.
2,578,547	A	12/1951	Hilger	4,069,696	A	1/1978	Steinbach
2,594,012	A	4/1952	Griffin	4,078,405	A	3/1978	Steinbach
2,660,084	A	11/1953	Newman	4,104,951	A	8/1978	Leitner
2,677,261	A	5/1954	Jacobi	4,111,020	A	9/1978	Scherbing
2,729,419	A	1/1956	Briede	4,112,820	A	9/1978	Conger et al.
2,800,090	A	7/1957	Reid	4,114,409	A	9/1978	Scire
2,963,310	A	12/1960	Abolins	4,118,902	A	10/1978	Saxton
3,091,011	A	5/1963	Campbell	4,123,922	A	11/1978	Kuentler
3,101,695	A	8/1963	Honeyman, Jr.	4,131,001	A	12/1978	Gotto
3,130,571	A	4/1964	Neumann	4,212,175	A	7/1980	Zakow
3,136,017	A	6/1964	Preziosi	4,223,542	A	9/1980	Basseches
3,171,182	A	3/1965	Danehy	4,252,007	A	2/1981	Kerley
3,174,384	A	3/1965	Vanni	4,263,833	A	4/1981	Loudin et al.
3,200,694	A	8/1965	Rapata	4,269,048	A	5/1981	McDorman
3,211,408	A	10/1965	Schaefer	4,290,279	A	9/1981	Fish et al.
3,213,745	A	10/1965	Dwyer	4,300,371	A	11/1981	Herwick et al.
3,220,077	A	11/1965	Newcomer, Jr. et al.	4,311,883	A	1/1982	Kidney
3,267,707	A	8/1966	Adams	4,328,687	A	5/1982	Ritchie
3,276,835	A	10/1966	Hall	4,328,691	A	5/1982	Scherbing
3,380,268	A	4/1968	Perrill	4,337,462	A	6/1982	Lemelson
3,469,874	A	9/1969	Mercurio	4,383,425	A	5/1983	Orabona
3,486,158	A	12/1969	Seltysik et al.	4,391,110	A	7/1983	Nielsen, Jr.
3,509,748	A	5/1970	Trainor	4,394,101	A	7/1983	Richer
3,521,845	A	7/1970	Sweda et al.	4,418,550	A	12/1983	Hamilton
3,524,335	A	8/1970	George	4,419,034	A	12/1983	DiMartino
3,541,819	A	11/1970	Keer	4,442,571	A	4/1984	Davis et al.
3,561,236	A	2/1971	Loughlin	4,448,049	A	5/1984	Murray
3,590,608	A	7/1971	Smyth et al.	4,462,233	A	7/1984	Horetzke
3,596,285	A	7/1971	Gottwald	4,466,259	A	8/1984	Osgood, Sr.
3,625,031	A	12/1971	Alley, III	4,471,980	A	9/1984	Hickman
3,634,963	A	1/1972	Hermann	4,478,545	A	10/1984	Mizusawa et al.
3,664,163	A	5/1972	Foote	4,501,460	A	2/1985	Sisler
3,722,239	A	3/1973	Mestre	4,502,305	A	3/1985	Bakker
3,727,934	A	4/1973	Averbook et al.	4,507,945	A	4/1985	Hwang
3,737,135	A	6/1973	Bertolini	4,520,641	A	6/1985	Bako
3,738,136	A	6/1973	Falk	4,527,405	A	7/1985	Renick et al.
3,754,420	A	8/1973	Oellerich	4,546,629	A	10/1985	Hwang
3,765,197	A	10/1973	Foote	4,557,458	A	12/1985	Vahlberg et al.
3,766,760	A	10/1973	Mohrhauser et al.	4,570,465	A	2/1986	Bennett
3,771,338	A	11/1973	Raskin	4,579,492	A	4/1986	Kazino et al.
				4,584,856	A	4/1986	Petersdorff et al.

US D670,553 S

4,586,843 A	5/1986	Heng et al.	5,022,242 A	6/1991	Povilaitis
4,593,273 A	6/1986	Narcisse	5,024,072 A	6/1991	Lee
4,598,272 A	7/1986	Cox	5,027,627 A	7/1991	Derman
4,603,829 A	8/1986	Koike et al.	5,050,836 A	9/1991	Makous
4,610,152 A	9/1986	Düringer	5,052,199 A	10/1991	Derman
4,610,587 A	9/1986	Wollar et al.	5,063,763 A	11/1991	Johnson
4,616,490 A	10/1986	Robbins	5,066,942 A	11/1991	Matsuo
4,620,182 A	10/1986	Keifer	5,067,151 A	11/1991	Inagaki et al.
4,640,106 A	2/1987	Derman	5,076,079 A	12/1991	Monoson et al.
4,651,544 A	3/1987	Hungerford	5,082,232 A	1/1992	Wilson
4,653,297 A	3/1987	Moorhouse	5,082,233 A	1/1992	Ayers et al.
4,654,640 A	3/1987	Carll et al.	5,099,663 A	3/1992	Dearstine
4,655,057 A	4/1987	Derman	5,117,661 A	6/1992	Carl et al.
4,656,848 A	4/1987	Rose	5,119,649 A	6/1992	Spence
4,667,491 A	5/1987	Lokken et al.	5,133,203 A	7/1992	Huang
4,676,080 A	6/1987	Schwarz	5,135,197 A	8/1992	Kelley et al.
4,680,949 A	7/1987	Stewart	5,136,863 A *	8/1992	Richardson 70/14
4,685,312 A	8/1987	Lakoski et al.	5,138,785 A	8/1992	Paterson
4,691,891 A	9/1987	Dionne	5,146,769 A	9/1992	Smith
4,692,968 A	9/1987	Girard	5,154,456 A	10/1992	Moore et al.
4,704,881 A	11/1987	Sloop, Sr.	5,169,326 A	12/1992	Werner
4,722,208 A	2/1988	Ye	5,171,049 A	12/1992	Grandy, Sr. et al.
4,733,840 A	3/1988	D'Amore	5,184,798 A	2/1993	Wilson
4,735,067 A	4/1988	Tawil	5,197,706 A	3/1993	Braithwaite et al.
4,738,428 A	4/1988	Themistos et al.	5,223,815 A	6/1993	Rosenthal et al.
4,741,185 A	5/1988	Weinert et al.	D337,040 S	7/1993	Carl
4,751,831 A	6/1988	Morris, Jr. et al.	5,228,319 A	7/1993	Holley et al.
4,768,361 A	9/1988	Derman	5,235,831 A	8/1993	Lauria et al.
4,770,583 A	9/1988	Lindberg	5,279,136 A	1/1994	Perry
4,779,434 A	10/1988	Derman	D346,733 S	5/1994	Carl et al.
4,785,291 A	11/1988	Hawthorne	5,317,304 A	5/1994	Choi
4,801,232 A	1/1989	Hempel	5,327,752 A	7/1994	Myers et al.
4,802,354 A	2/1989	Johnson	D350,473 S	9/1994	Simon et al.
4,803,860 A	2/1989	Moore	5,349,834 A	9/1994	Davidge
4,804,943 A	2/1989	Soleimani	5,349,835 A	9/1994	Liao
4,805,426 A	2/1989	Dimmick et al.	5,351,507 A	10/1994	Derman
4,813,252 A	3/1989	Ray	5,351,508 A	10/1994	Kelley
4,818,032 A	4/1989	Thomas	5,361,610 A	11/1994	Sanders
4,826,193 A	5/1989	Davis	5,370,488 A	12/1994	Sykes
4,831,852 A	5/1989	Hughes	5,377,512 A	1/1995	Kelley
4,831,860 A	5/1989	Sheiman et al.	5,381,685 A	1/1995	Carl et al.
4,834,600 A	5/1989	Lemke	5,386,005 A	1/1995	Mascia et al.
4,842,912 A	6/1989	Hutter, III	5,390,514 A	2/1995	Harmon
4,843,848 A	7/1989	Igelmund	5,390,977 A	2/1995	Miller
4,856,304 A	8/1989	Derman	5,394,713 A	3/1995	Harmon
4,856,305 A	8/1989	Adams	5,397,176 A	3/1995	Allen et al.
4,858,455 A	8/1989	Kuo	5,398,530 A	3/1995	Derman
4,860,561 A	8/1989	Hwang	5,400,622 A	3/1995	Harmon
D303,710 S *	9/1989	Neill D24/232	5,402,662 A	4/1995	Osada
4,862,716 A	9/1989	Derman	5,406,809 A	4/1995	Igelmund
4,869,082 A	9/1989	Appelbaum	5,412,959 A	5/1995	Bentley
4,870,840 A	10/1989	Klein	5,421,667 A	6/1995	Leyden et al.
4,878,045 A	10/1989	Tanaka et al.	D361,501 S *	8/1995	Myers D8/331
4,893,488 A	1/1990	Klein	5,447,044 A	9/1995	Cheng
4,896,140 A	1/1990	Biever et al.	5,447,045 A	9/1995	Cheng
4,901,057 A	2/1990	Suneborn	5,447,049 A	9/1995	Shieh
4,907,111 A	3/1990	Derman	5,466,022 A	11/1995	Derman
4,907,716 A	3/1990	Wankel et al.	5,473,917 A	12/1995	Say
4,908,605 A	3/1990	Takatsuka	5,489,173 A	2/1996	Hofle
4,912,953 A	4/1990	Wobig	5,493,878 A	2/1996	Murray, Jr. et al.
4,918,952 A	4/1990	Lakoski et al.	5,502,989 A	4/1996	Murray, Jr. et al.
4,924,683 A	5/1990	Derman	5,520,031 A	5/1996	Davidge
4,924,693 A	5/1990	College et al.	D370,473 S	6/1996	Derman
4,924,973 A	5/1990	Miller	D370,621 S	6/1996	Themistos et al.
4,938,040 A	7/1990	Humphreys, Jr.	5,544,512 A	8/1996	Shieh
4,959,635 A	9/1990	Wilson	5,548,981 A	8/1996	Kirk
4,959,979 A	10/1990	Filipow et al.	5,570,080 A	10/1996	Inoue et al.
4,964,285 A	10/1990	Lakoski et al.	5,579,657 A	12/1996	Makous
4,966,511 A	10/1990	Lee	5,593,878 A	1/1997	Knopf et al.
4,969,342 A	11/1990	Marchiori	5,603,416 A	2/1997	Richardson et al.
4,978,265 A	12/1990	De Wan	5,608,605 A	3/1997	Siow et al.
4,979,382 A	12/1990	Perry	5,610,587 A	3/1997	Fujiuchi et al.
4,985,695 A	1/1991	Wilkinson et al.	5,611,223 A	3/1997	Spitzer
4,986,097 A	1/1991	Derman	5,622,064 A	4/1997	Gluskoter et al.
4,993,244 A	2/1991	Osman	5,622,067 A	4/1997	Waitz
5,001,460 A	3/1991	Basson	5,636,539 A	6/1997	Tsai
5,001,854 A	3/1991	Derman	5,653,136 A	8/1997	Huang
5,010,748 A	4/1991	Derman	5,661,991 A	9/1997	Hsu
5,020,349 A	6/1991	Lee	5,676,258 A	10/1997	Leyden et al.

US D670,553 S

5,687,592 A	11/1997	Penniman et al.	6,619,081 B1	9/2003	Yu	
5,692,400 A	12/1997	Bliven et al.	6,621,415 B1	9/2003	Willis	
5,709,110 A	1/1998	Greenfield et al.	6,672,117 B2	1/2004	Yu	
5,722,268 A	3/1998	Choi	6,705,133 B1	3/2004	Avganim	
5,761,934 A	6/1998	Kuo	6,718,808 B2	4/2004	Yu	
5,787,738 A	8/1998	Brandt et al.	6,735,990 B1	5/2004	Murray, Jr. et al.	
5,787,739 A	8/1998	Derman	6,745,330 B1	6/2004	Maillot	
5,791,171 A	8/1998	Kelley	6,755,056 B2	6/2004	Igelmund	
5,794,463 A	8/1998	McDaid	6,758,069 B2	7/2004	Derman	
5,799,520 A	9/1998	Laabs et al.	6,763,688 B1	7/2004	Syu	
5,836,183 A	11/1998	Derman	6,763,690 B2	7/2004	Galant	
5,870,281 A	2/1999	Kim	6,799,445 B1	10/2004	Tsai	
5,875,657 A	3/1999	Kelley	6,811,415 B2	11/2004	Chen	
5,884,508 A	3/1999	Dwight	6,845,643 B2	1/2005	Tsai	
5,889,463 A	3/1999	Judd et al.	6,848,282 B2 *	2/2005	Palzkill et al.	70/14
5,913,907 A	6/1999	Lee	6,848,926 B2	2/2005	Ling et al.	
5,924,313 A	7/1999	Kuo	6,880,373 B2	4/2005	Ling	
5,934,120 A	8/1999	Kuo	6,886,376 B2 *	5/2005	Kuo	70/58
5,960,651 A	10/1999	Tanisawa	6,911,897 B2	6/2005	Miller et al.	
5,963,131 A	10/1999	D'Angelo et al.	6,918,272 B1 *	7/2005	Sanders	70/58
5,983,679 A	11/1999	Reyes	6,933,847 B2	8/2005	Feibelman	
5,987,937 A	11/1999	Lee	6,971,254 B2	12/2005	Bellow, Jr. et al.	
5,987,940 A	11/1999	Chang	6,973,809 B2	12/2005	Chang	
5,992,187 A	11/1999	Derman	6,991,479 B2	1/2006	Miao	
6,000,251 A	12/1999	Murray, Jr. et al.	D515,399 S *	2/2006	Ho	D8/330
6,000,252 A	12/1999	Murray, Jr. et al.	7,007,522 B1	3/2006	Lee	
6,006,557 A	12/1999	Carl et al.	7,028,513 B2	4/2006	Avganim	
6,037,544 A *	3/2000	Lee et al.	7,076,977 B2	7/2006	Lee	174/92
6,038,891 A	3/2000	Zeren et al.	7,079,032 B2	7/2006	Merrem et al.	
6,058,744 A	5/2000	Ling	7,100,403 B2	9/2006	Murray, Jr. et al.	
D427,883 S	7/2000	Ling	7,100,404 B2	9/2006	Murray, Jr. et al.	
6,081,974 A	7/2000	McDaid	7,111,479 B2	9/2006	Murray, Jr. et al.	
6,087,939 A	7/2000	Leyden et al.	7,121,125 B2	10/2006	Murray, Jr. et al.	
6,112,561 A	9/2000	Carl	7,140,210 B2	11/2006	Cheng	
6,112,562 A	9/2000	Murray, Jr. et al.	7,143,614 B1	12/2006	Murray, Jr. et al.	
6,125,669 A	10/2000	McDaid et al.	7,150,168 B1	12/2006	Kuo	
6,133,830 A	10/2000	D'Angelo et al.	7,160,137 B1	1/2007	Yeh	
6,150,940 A	11/2000	Chapman et al.	7,191,623 B2	3/2007	Francke	
6,155,088 A	12/2000	Murray, Jr. et al.	7,201,029 B2	4/2007	Murray, Jr. et al.	
6,170,364 B1	1/2001	Johnson	7,204,106 B2	4/2007	Merrem et al.	
6,173,591 B1	1/2001	Derman	7,234,330 B2	6/2007	Tseng	
6,199,413 B1	3/2001	McDaid et al.	7,299,668 B1	11/2007	Lu	
6,205,824 B1	3/2001	Miao	7,302,816 B1	12/2007	Lu	
6,212,918 B1	4/2001	Kravtin	D565,707 S *	4/2008	Brockington et al.	D23/262
6,212,922 B1	4/2001	Miao	7,370,499 B1	5/2008	Lee	
6,227,017 B1	5/2001	Igelmund	D571,637 S	6/2008	Littrell et al.	
6,244,080 B1	6/2001	Sakurai	7,409,842 B2	8/2008	Kuo	
6,244,082 B1	6/2001	Avganim	7,415,852 B1	8/2008	Merrem	
6,255,957 B1	7/2001	Sonderregger et al.	7,428,834 B1	9/2008	Lee	
6,257,029 B1	7/2001	Liao	7,441,426 B2	10/2008	Avganim	
6,262,664 B1	7/2001	Maloney	7,441,431 B2	10/2008	Weber et al.	
6,265,974 B1	7/2001	D'Angelo et al.	D581,249 S *	11/2008	Wu et al.	D8/343
D447,404 S	9/2001	Kim	7,462,045 B1	12/2008	Lee	
6,300,874 B1	10/2001	Rand	7,479,879 B2	1/2009	Merrem et al.	
6,301,940 B1	10/2001	Derman et al.	7,500,371 B2	3/2009	Andres et al.	
6,317,936 B1	11/2001	McDaid et al.	D591,139 S	4/2009	Gulley	
6,321,579 B1	11/2001	Reyes	7,540,334 B2	6/2009	Gass et al.	
6,360,405 B1	3/2002	McDaid et al.	7,562,545 B2	7/2009	Lai et al.	
6,389,653 B1	5/2002	Matoba	7,614,264 B2	11/2009	Mc Gettrick	
6,389,854 B1	5/2002	Huang	7,614,266 B2	11/2009	White et al.	
6,393,877 B1	5/2002	Church	7,635,272 B2	12/2009	Poppe	
6,401,502 B1	6/2002	Yang	7,642,671 B2	1/2010	Mahaffey	
6,401,504 B1	6/2002	Derman et al.	7,647,796 B2	1/2010	Francke	
6,418,759 B1	7/2002	Zeren et al.	7,685,854 B2	3/2010	Xu et al.	
6,420,958 B1	7/2002	Miller et al.	7,730,751 B2	6/2010	Andres et al.	
6,427,499 B1	8/2002	Derman	7,805,969 B2	10/2010	Poppe et al.	
6,442,984 B1	9/2002	Katoh et al.	7,963,132 B2	6/2011	Andres et al.	
6,449,992 B1	9/2002	Yu et al.	8,042,366 B2 *	10/2011	Mahaffey et al.	70/58
6,463,770 B1	10/2002	Lee	D649,431 S *	11/2011	Shartel	D8/330
6,513,350 B1	2/2003	Hurd et al.	D651,889 S	1/2012	Mahaffey et al.	
6,523,373 B1	2/2003	Su	D661,975 S	6/2012	Mahaffey et al.	
6,523,378 B2	2/2003	Kuo	2001/0049949 A1	12/2001	Igelmund	
D471,785 S	3/2003	Yu	2002/0104337 A1	8/2002	Kuo	
6,553,794 B1	4/2003	Murray, Jr. et al.	2002/0134119 A1	9/2002	Derman	
6,584,819 B1	7/2003	Hung	2003/0101778 A1	6/2003	Carl et al.	
6,588,241 B1	7/2003	Murray, Jr. et al.	2003/0224637 A1	12/2003	Ling	
6,591,642 B1	7/2003	Kuo	2004/0074264 A1	4/2004	Kung et al.	
6,598,433 B1	7/2003	Malvasio	2005/0028571 A1	2/2005	Merrem et al.	
6,619,080 B1	9/2003	Yu	2005/0039502 A1	2/2005	Avganim	

2005/0097930 A1 5/2005 Moore et al.
 2005/0204786 A1 9/2005 Meyer et al.
 2005/0236521 A1 10/2005 Krause et al.
 2005/0280500 A1 12/2005 Miller et al.
 2006/0081021 A1 4/2006 Merrem et al.
 2006/0107073 A1 5/2006 Lane et al.
 2006/0112740 A1 6/2006 Merrem et al.
 2007/0033975 A1 2/2007 Liu
 2008/0110217 A1 5/2008 Andrews et al.
 2009/0049876 A1 2/2009 White et al.
 2009/0090149 A1 4/2009 Fox
 2010/0024497 A1 2/2010 Wu
 2010/0139337 A1 6/2010 Hung et al.
 2010/0192642 A1 8/2010 Hung et al.

FOREIGN PATENT DOCUMENTS

CA 791364 A 8/1968
 CA 987121 A 4/1976
 DE 329934 12/1920
 DE 335741 4/1921
 DE 361068 4/1923
 DE 456219 2/1928
 DE 577757 8/1932
 DE 3202700 A1 8/1983
 DE 3407723 A1 9/1985
 DE 3824393 C1 7/1989
 DE 10203647 A1 8/2003
 DE 202004015891 U1 12/2004
 FR 455740 A 8/1913
 FR 877220 A 12/1942
 FR 1026519 A 4/1953
 FR 1085107 A 1/1955
 FR 2308006 A1 11/1976
 FR 2636686 A1 3/1990
 FR 2741375 A1 5/1997
 GB 447091 A 5/1936
 GB 1256295 A 12/1971
 GB 1376011 A 12/1974
 GB 2109109 A 5/1983
 GB 2201725 A 9/1988
 GB 2234856 A 2/1991
 HU P0000398 6/2000
 HU 224329 B1 6/2003
 IT 451949 10/1949
 JP 49-91096 8/1947
 JP 37-7592 6/1959
 JP 52-36813 3/1977
 JP 57-25092 2/1982
 JP 57-179618 A 11/1982
 JP 08-007462 1/1996
 JP 2000-305845 A 11/2000
 JP 2003-314100 A 11/2003
 JP 2000-140948 A 5/2005
 NO 14095 6/1905
 WO WO 86-00396 A1 1/1986
 WO WO 93-15295 A1 8/1993
 WO WO 95-10680 A1 4/1995
 WO WO 96-07002 A1 3/1996
 WO WO 96-15347 A1 5/1996
 WO WO 2008-051919 A2 5/2008
 WO WO 2008-051930 A2 5/2008
 WO WO 2008-147818 A1 12/2008
 WO WO 2009-026225 A1 2/2009
 WO WO 2010-080402 A2 7/2010
 WO WO 2010/138847 A2 12/2010

OTHER PUBLICATIONS

King, Rachel: "Kensington ClickSafe locks up laptops with the snap of a click"; 2010, <http://www.ubergizmo.com/2010/10/kensington-introduces-its-clicksafe-notebook-lock>, 2 pages.
 U.S. Appl. No. 12/891,707, filed Sep. 27, 2010, 55 pages.
 U.S. Appl. No. 12/987,000, filed Jan. 7, 2011, 53 pages.

U.S. Appl. No. 12/977,486, filed Dec. 23, 2010, 54 pages.
 U.S. Appl. No. 12/969,401, filed Dec. 15, 2010, 55 pages.
ACCO Brands, Inc. v. Micro Security Devices, Inc., United States District Court for the North District of California, Order Granting Defendant's Motion for Summary Judgment, Jul. 23, 2002, 13 pages.
 DS-SNAP-IT-MXS, Datamation Systems Inc., Aug. 14, 2007, 1 page.
 U.S. Appl. No. 12/242,059, filed Sep. 30, 2008, 58 pages.
 U.S. Appl. No. 12/446,556, filed Apr. 21, 2009, 22 pages.
 U.S. Appl. No. 12/446,560, filed Apr. 21, 2009, 101 pages.
 U.S. Appl. No. 12/870,599, filed Aug. 27, 2010, 48 pages.
 U.S. Appl. No. 61/182,591, filed May 29, 2009, 14 pages.
 International Search Report for Application No. PCT/US2010/036628, mailed Jan. 14, 2011, 7 pages.
 Written Opinion for Application No. PCT/US2010/036628, mailed Jan. 14, 2011, 14 pages.
 Flexguard™ Security System, Philadelphia Security Products (no date on page), 1 page.
 Kablit™ Security System Catalog, ©1988 by Secure-It, Inc., 4 pages.
 Computer and Office Equipment Security Catalog, Secure-It, Inc., 18 Maple Court, East Longmeadow, MA 01028.
 Kensington® MicroSaver Security System, Packaging and Manual, © 1992 Kensington Microwave Limited, 4 pages.
 Kensington Notebook MicroSaver® Installation Instructions Computer Lock Box and Literature, ©2001 Kensington Technology Group, 3 pages.
 Kensington Product Brochure for Kensington Apple Laser Writer and Macintosh Portable Security Systems, Computer and Office Equipment Security Catalog, 1990, 15 pages, Secure-It, Inc., 18 Maple Court, East Longmeadow, MA 01028.
 Kensington Product News Release, "Kensington Wins Case Protecting Cable Lock Patents," © 2005 Kensington Technology Group, a division of ACCO Brands, Inc., 1 page.
 Kryptonite Combo Lock Review, dated Apr. 20, 2011, 10 pages (not a published document).
 Maltoni, D., et al., Extract from "Handbook of Fingerprint Recognition," Chapter 1: Introduction, © 2003, Springer Verlag, New York, 54 pages.
 Non-Final Office Action for U.S. Appl. No. 12/969,401, mailed on Apr. 13, 2011, 31 pages.
 Non-Final Office Action for U.S. Appl. No. 12/977,486, mailed on Apr. 13, 2011, 36 pages.
 Non-Final Office Action for U.S. Appl. No. 12/987,000, mailed on Jul. 6, 2011, 40 pages.
 Notebook Computer Combination Lock, 2002, APC Kryptonite, 2 pages.
 Notice of Allowance for U.S. Appl. No. 12/969,401, mailed on Jun. 30, 2011, 9 pages.
 Notice of Allowance for U.S. Appl. No. 12/977,486, mailed on Jun. 30, 2011, 11 pages.
 PassProof™ User Manual for Macintosh Computers, © 1990 Kensington Microwave Limited, Document 019003800-0890-01, 4 pages.
 Retaining Device Incorporated in Apple Computers, Secure-It, Inc., 1 page.
 Security Method #1 MacKablit Package, Apple Security Bracket sold in Access Security kit, 1 page.
 Simross, L., "An Easier Way to Polish Metal Products," Los Angeles Times, Jan. 12, 1989, Part V, 1 page.
 Targus Defcon™ 1 Ultra Notebook Computer Security System, © 2001 Targus Corp., 3 pages, downloaded Jan. 3, 2006 at http://www.targus.com/us/product_details.asp?sku=PA400.
 Targus Defcon™ 1 Ultra Security System, User's Guide, "Making Your Mobile Life Easier," 20 pages.
 Vantec Notebook Lock, model # NBL-S100, 2004, 1 page.

* cited by examiner

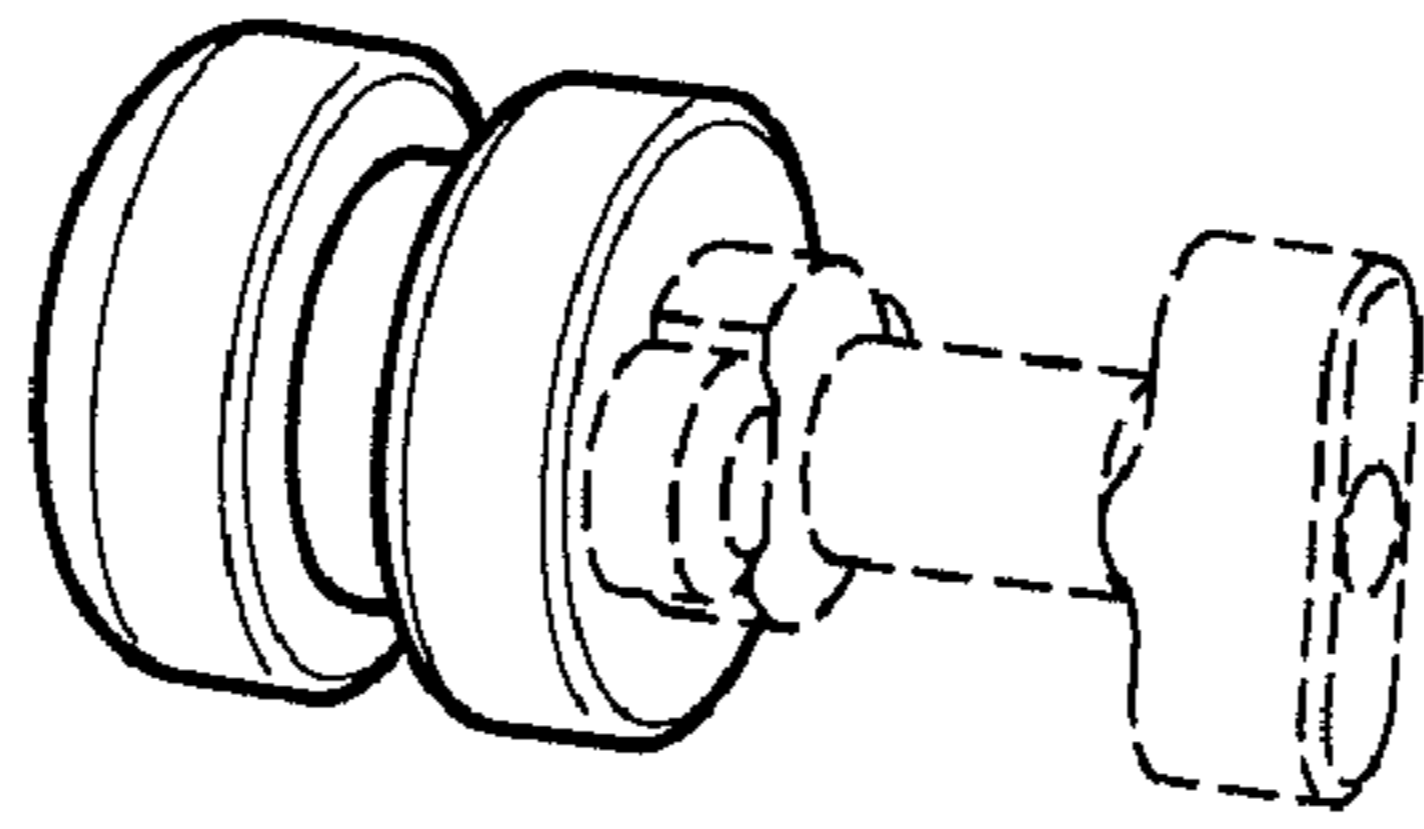


FIG. 1

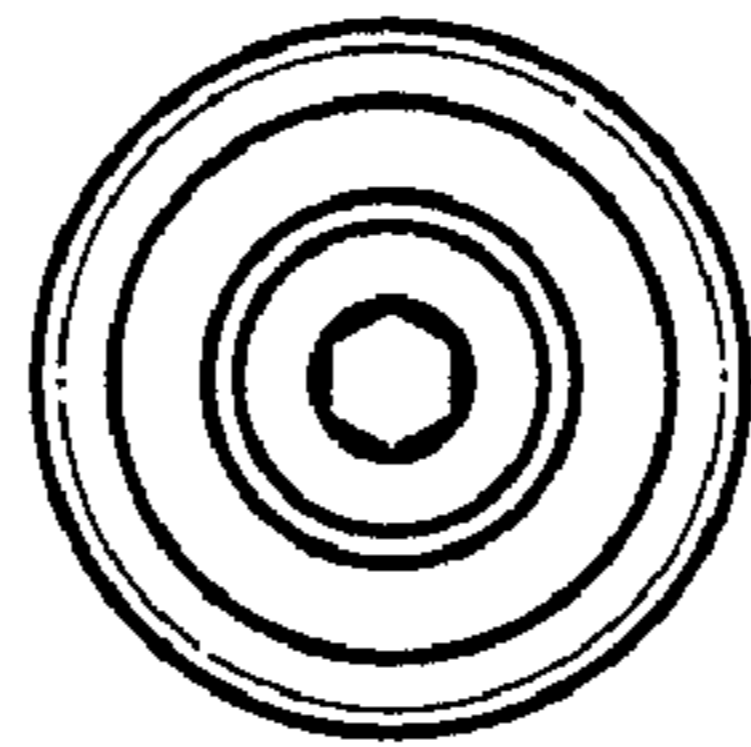


FIG. 2

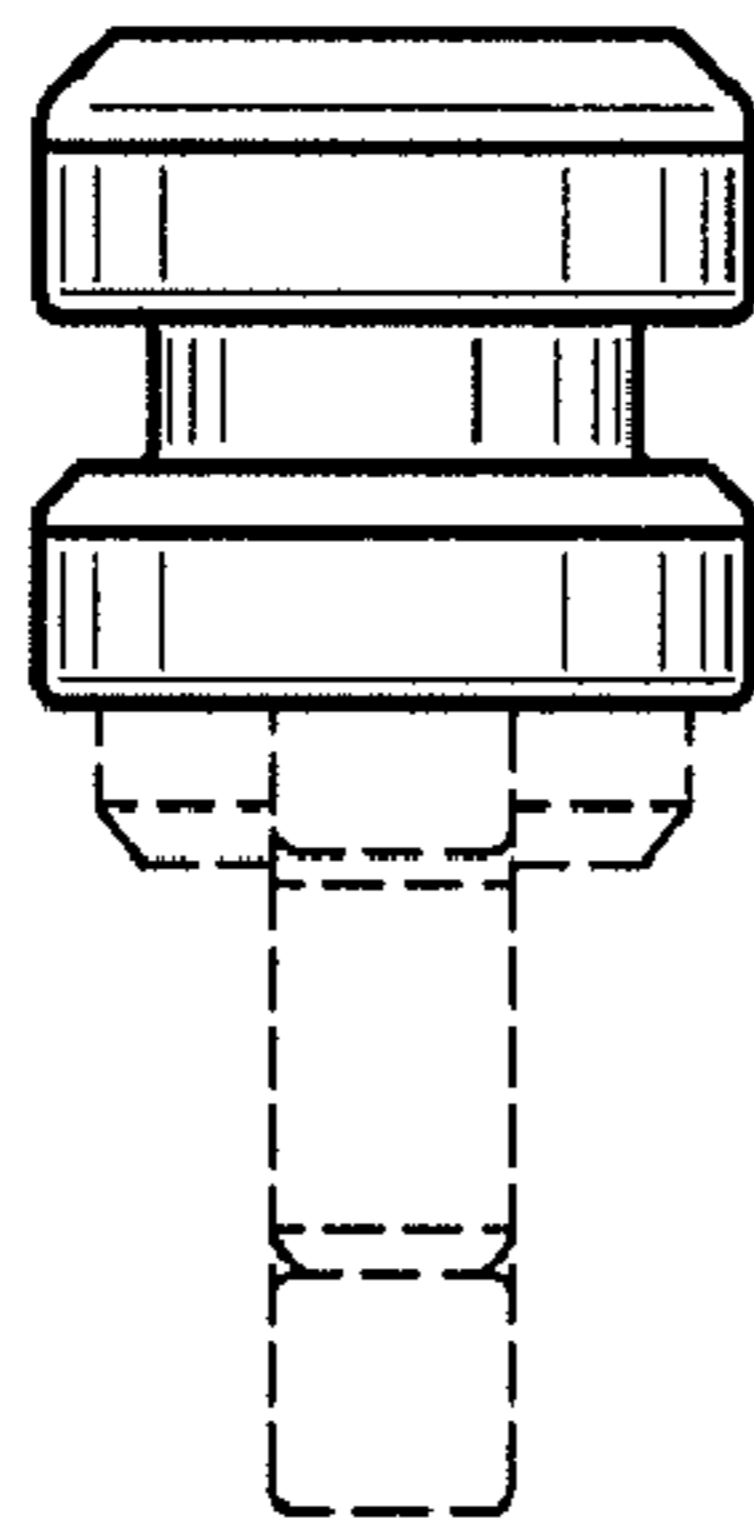


FIG. 3

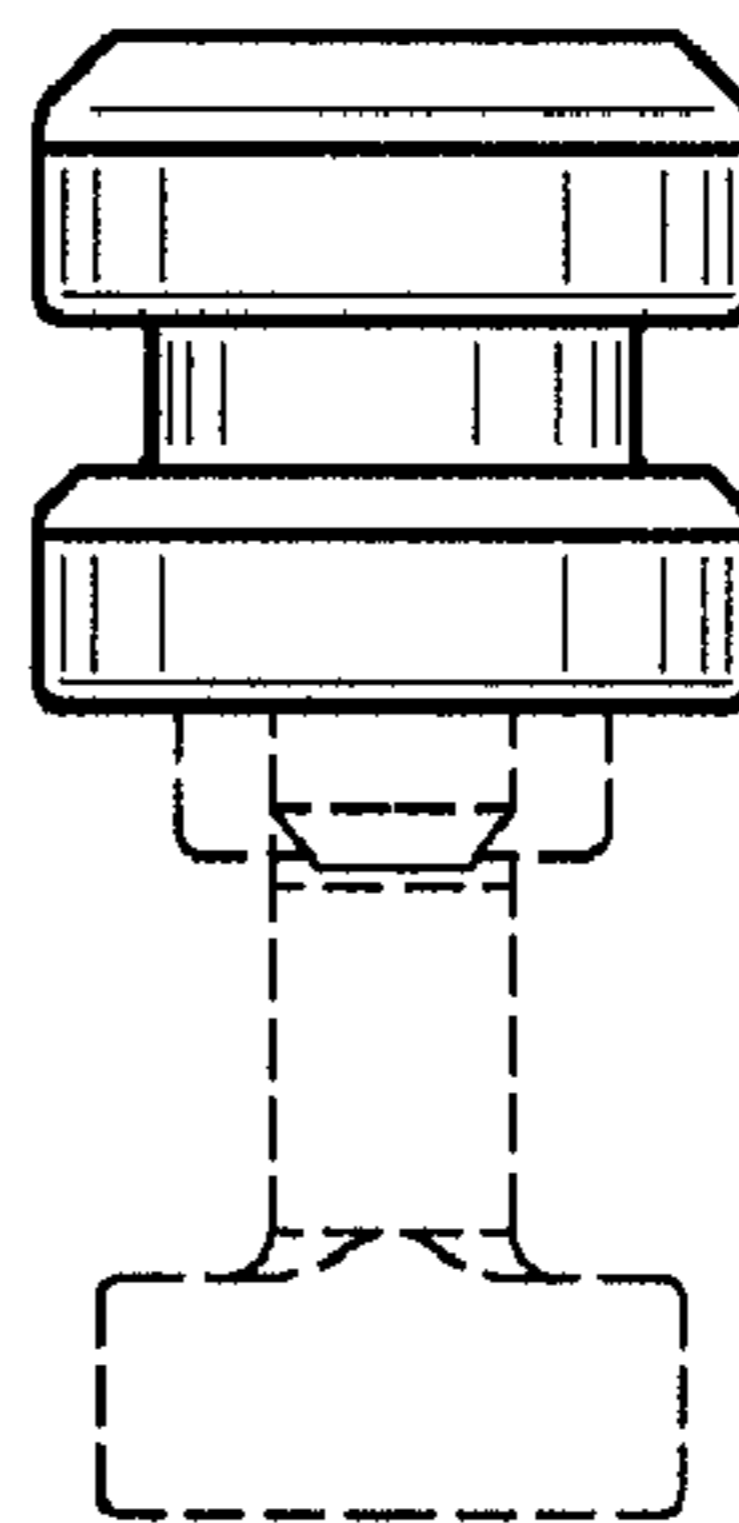


FIG. 4

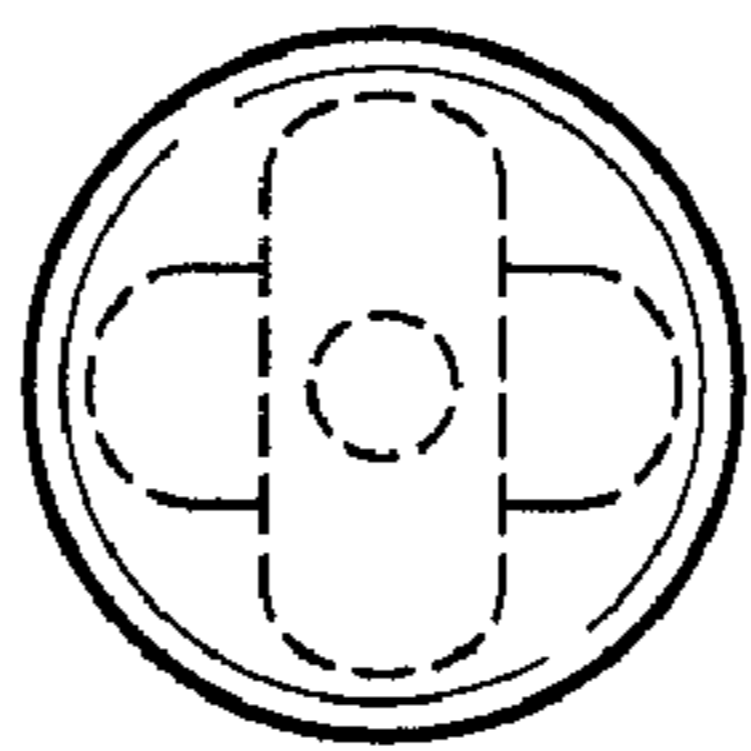


FIG. 5