



US00D670542S

(12) **United States Design Patent**
Lee

(10) **Patent No.:** **US D670,542 S**
(45) **Date of Patent:** **** Nov. 13, 2012**

(54) **CUP HOLDER**

(76) Inventor: **Kyu Seop Lee**, Basking Ridge, NJ (US)

(**) Term: **14 Years**

(21) Appl. No.: **29/416,895**

(22) Filed: **Mar. 28, 2012**

(51) **LOC (9) Cl.** **07-06**

(52) **U.S. Cl.** **D7/622**

(58) **Field of Classification Search** D7/619.1-625,
D7/533-536; D9/444; 220/737-739, 903;
229/400, 402, 403, 405, 117.23, 939
See application file for complete search history.

(56) **References Cited**

U.S. PATENT DOCUMENTS

D395,205 S *	6/1998	Inwood et al.	D7/622
5,842,633 A	12/1998	Nurse	
6,250,545 B1	6/2001	Mazzarolo et al.	
6,273,333 B1 *	8/2001	Ward	220/738
D546,681 S	7/2007	Botti et al.	
D593,371 S	6/2009	Karam	
D597,382 S	8/2009	Bognar	
D620,755 S	8/2010	Haskell	
D627,479 S	11/2010	Cofie	
D634,589 S	3/2011	Cook et al.	
7,918,364 B2 *	4/2011	Kim et al.	220/738
D637,041 S	5/2011	Haskell	
D640,090 S	6/2011	Wisniewski	
D640,508 S	6/2011	Bouillon	

D647,762 S	11/2011	Flaherty	
8,056,757 B2	11/2011	Mansour et al.	
2006/0000882 A1 *	1/2006	Darzinskas	229/939
2006/0231606 A1 *	10/2006	Katchko et al.	229/403
2010/0025414 A1	2/2010	Mansour et al.	
2011/0068114 A1	3/2011	Colby	
2011/0233223 A1	9/2011	Cook et al.	
2011/0239481 A1	10/2011	Ray	
2011/0281704 A1	11/2011	Messerschmid et al.	
2012/0024875 A1	2/2012	Zerda et al.	

* cited by examiner

Primary Examiner — Terry Wallace

(74) *Attorney, Agent, or Firm* — Yun H. Choe; Lucas & Mercanti LLP

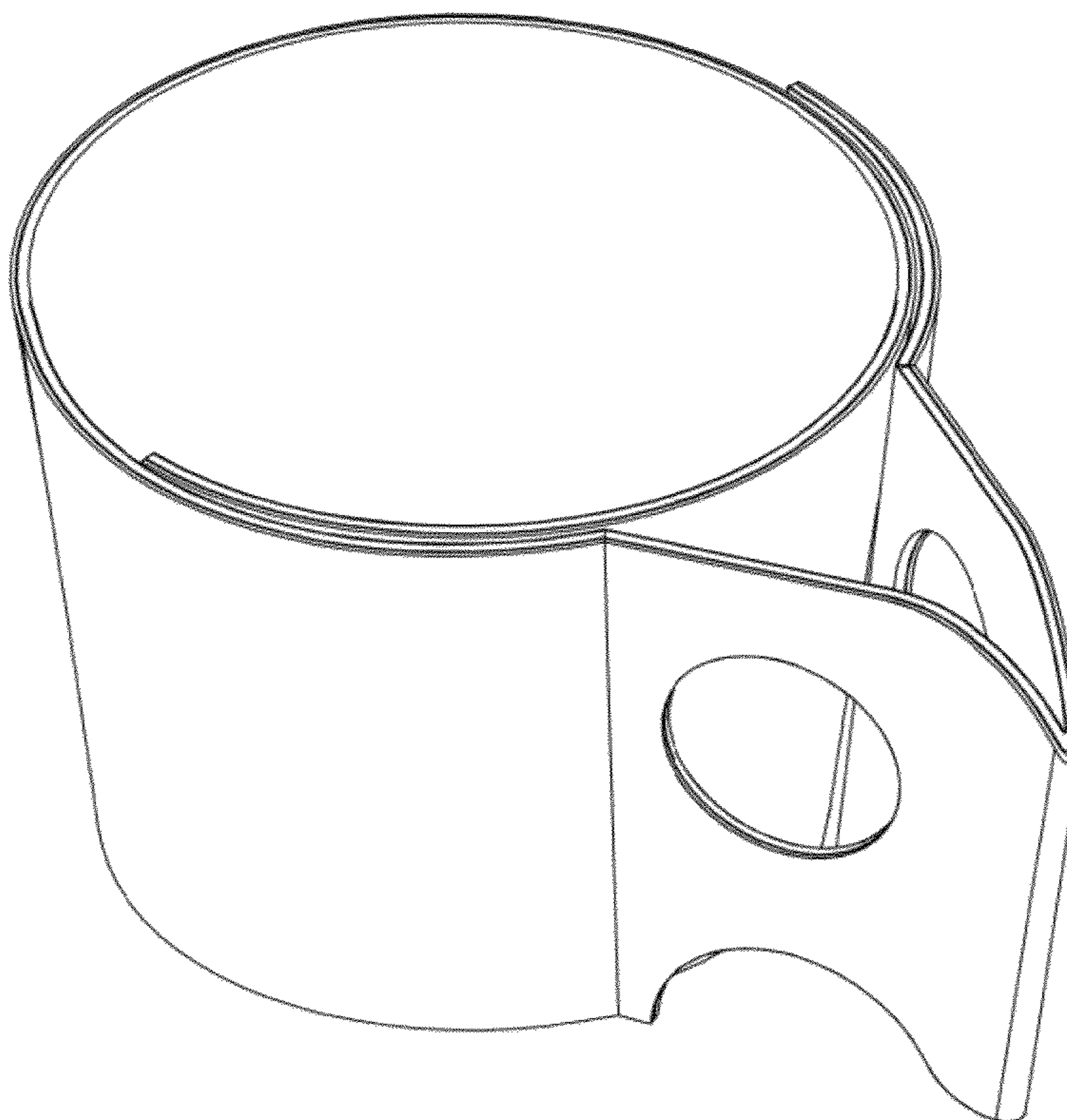
(57) **CLAIM**

The ornamental design for a cup holder, as shown and described.

DESCRIPTION

FIG. 1 is a first perspective view of a cup holder showing my new design;
FIG. 2 is a second perspective view of the cup holder;
FIG. 3 is a third perspective view of the cup holder;
FIG. 4 is a top view of the cup holder;
FIG. 5 is a bottom view of the cup holder;
FIG. 6 is a one side view of the cup holder, the opposite side being a mirror image thereof;
FIG. 7 is another side view of the cup holder; and,
FIG. 8 is a further view of the cup holder.

1 Claim, 8 Drawing Sheets



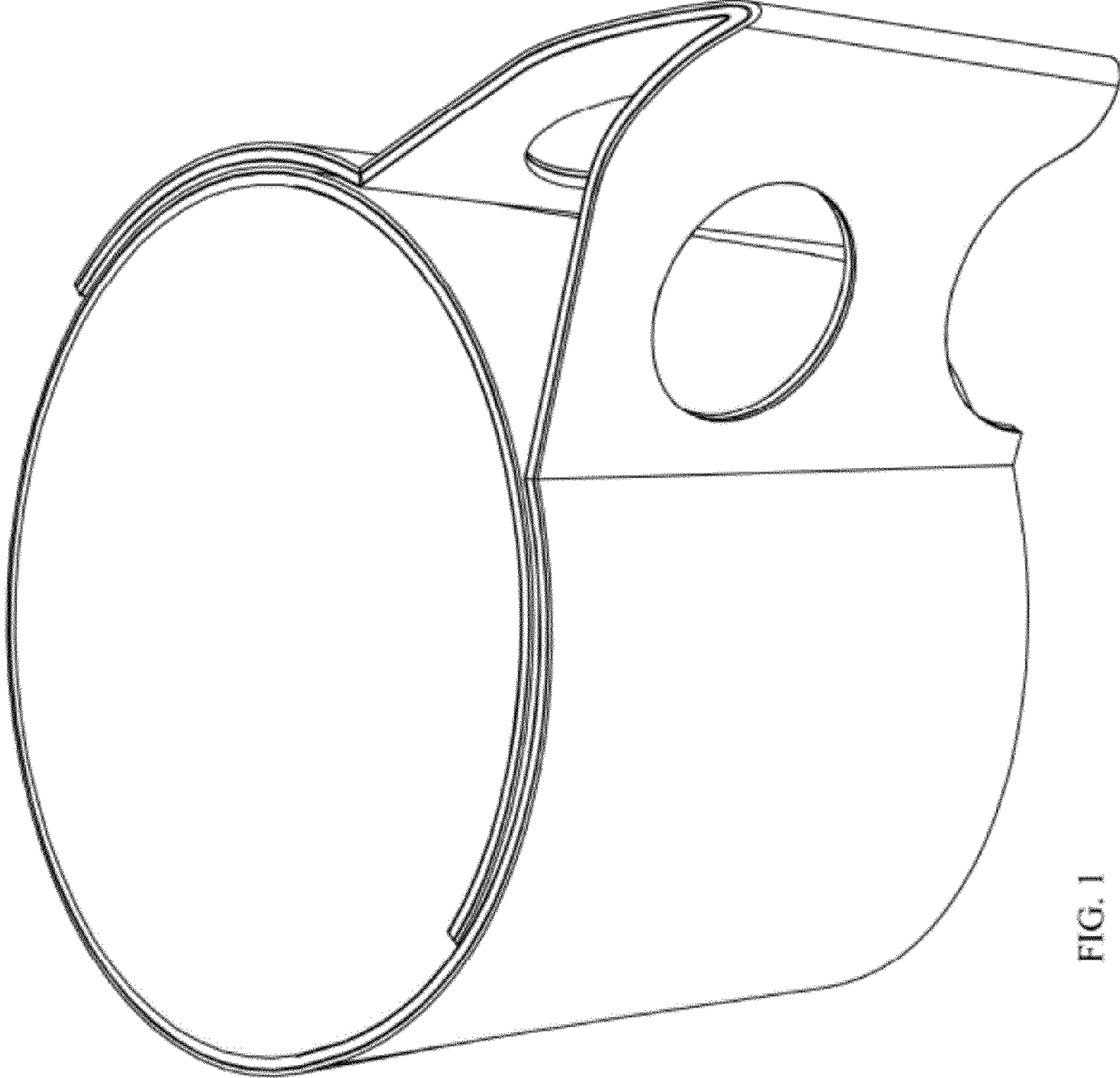


FIG. 1

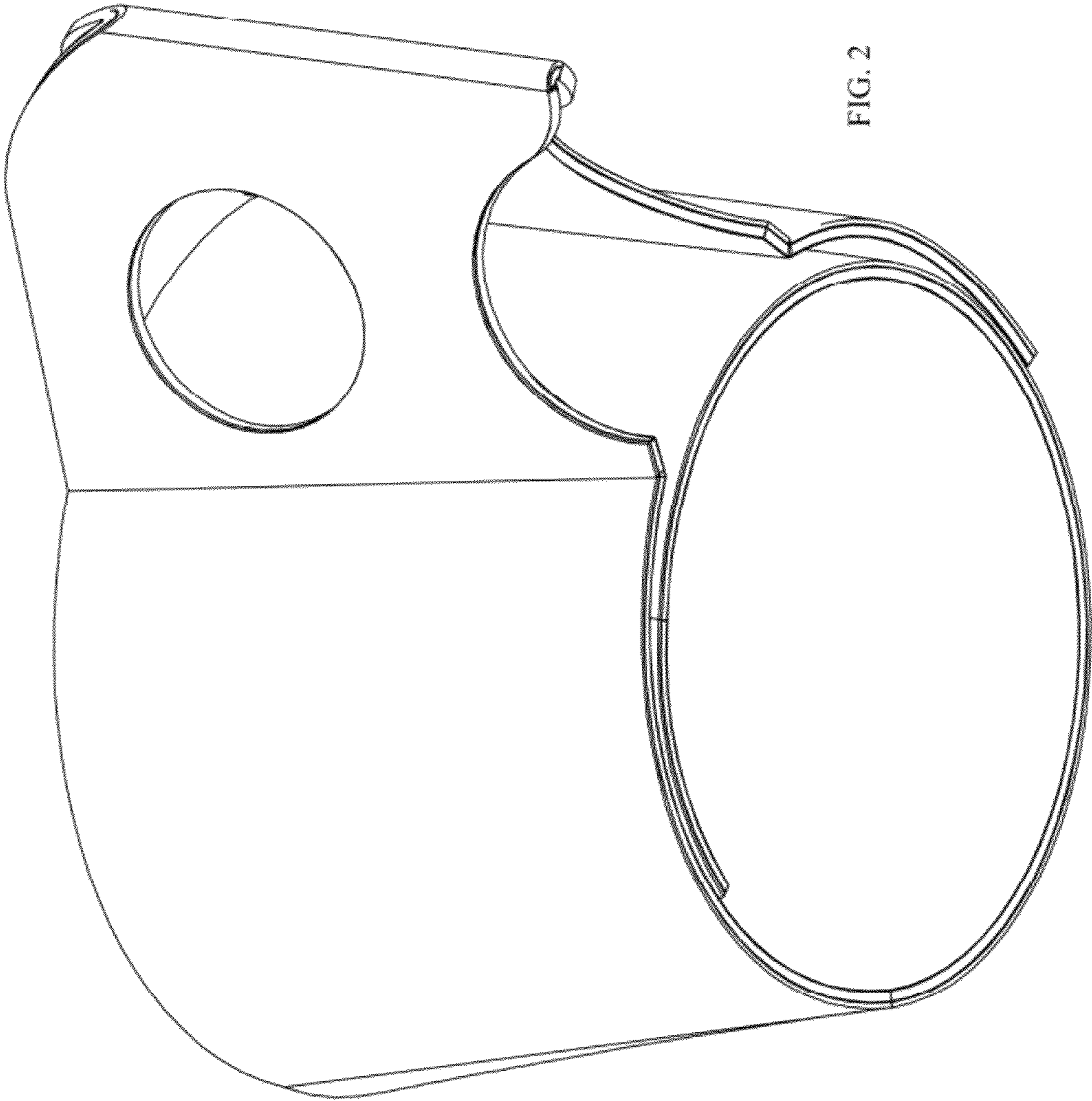


FIG. 2

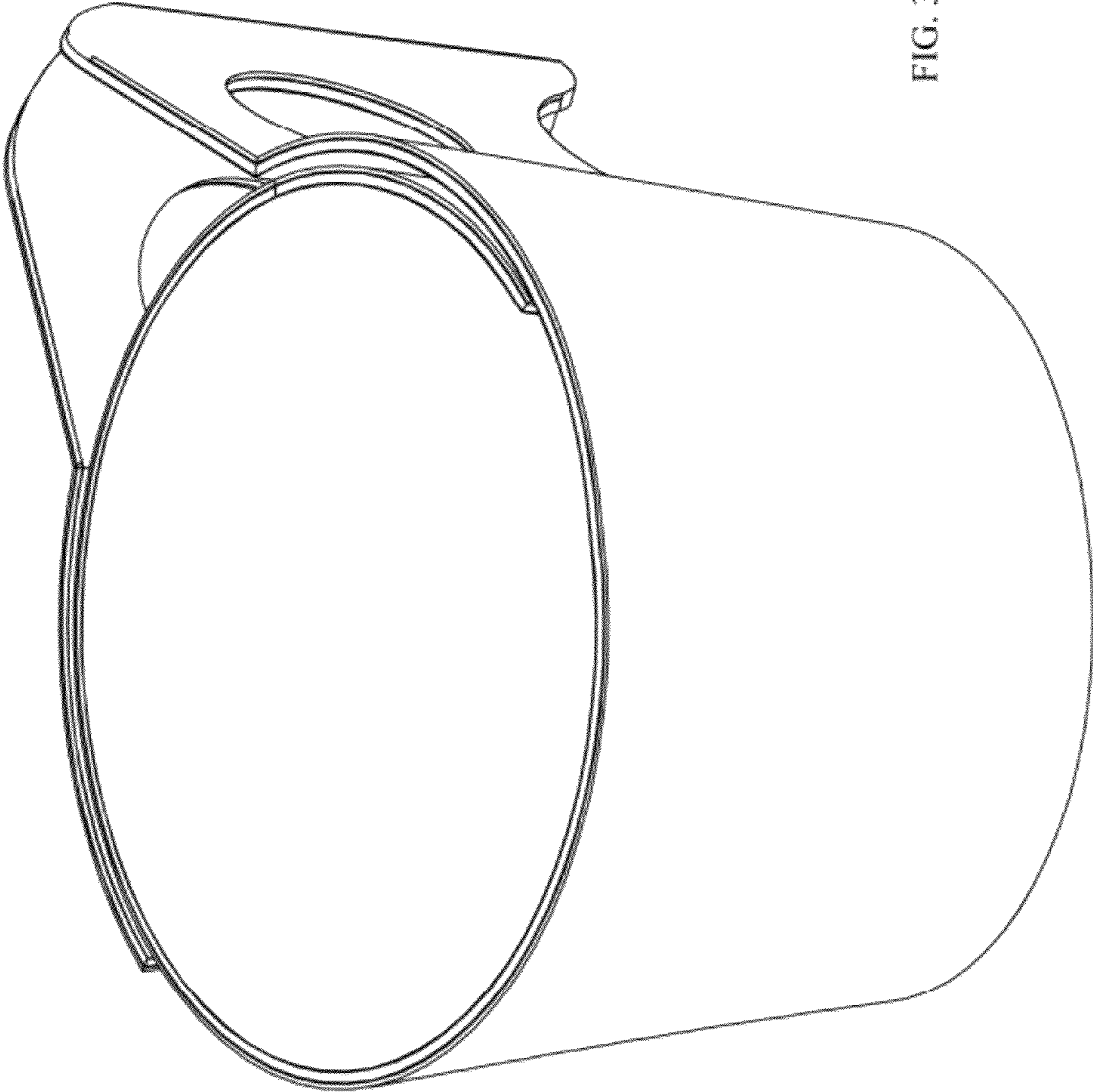


FIG. 3

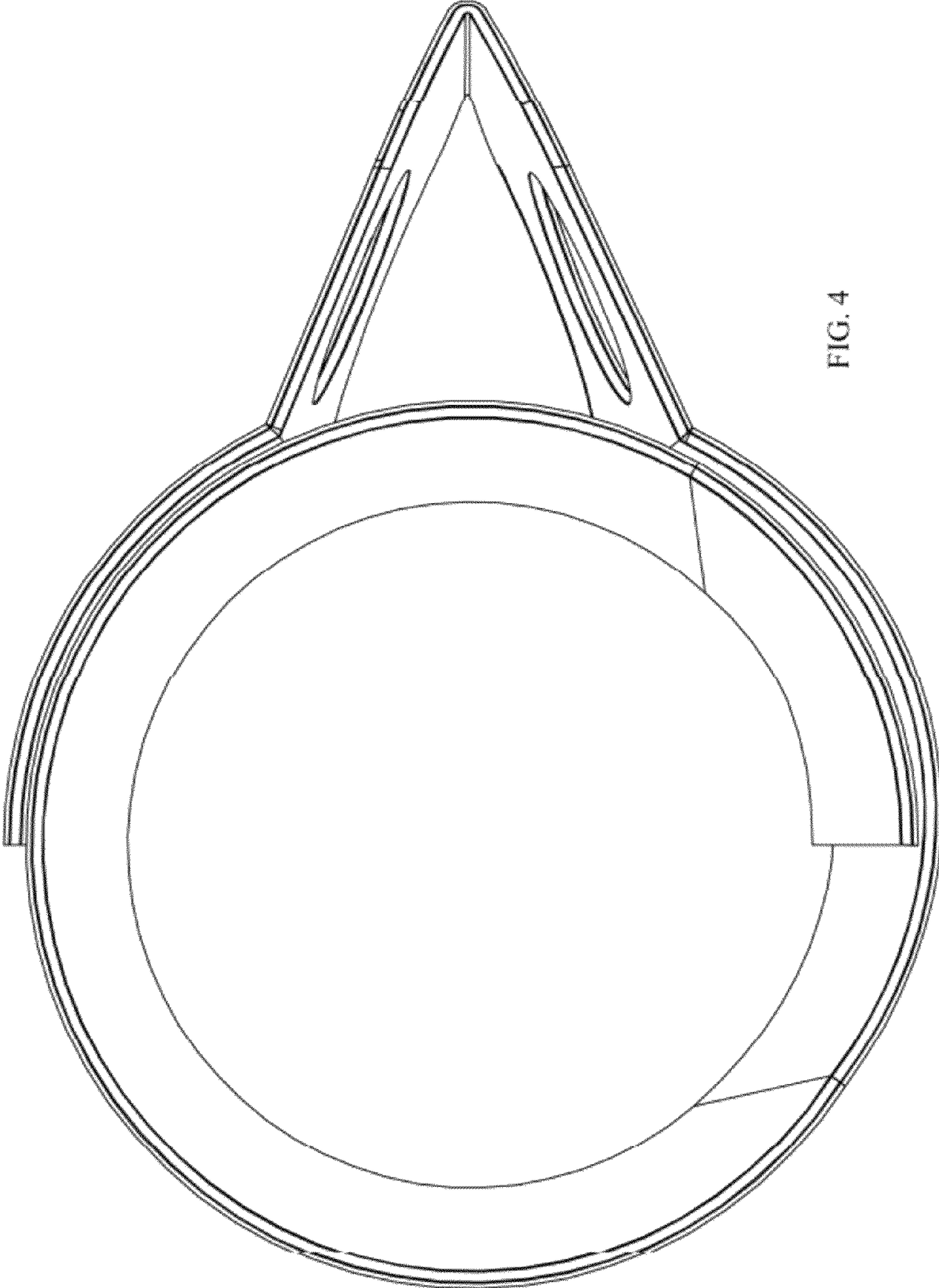


FIG. 4

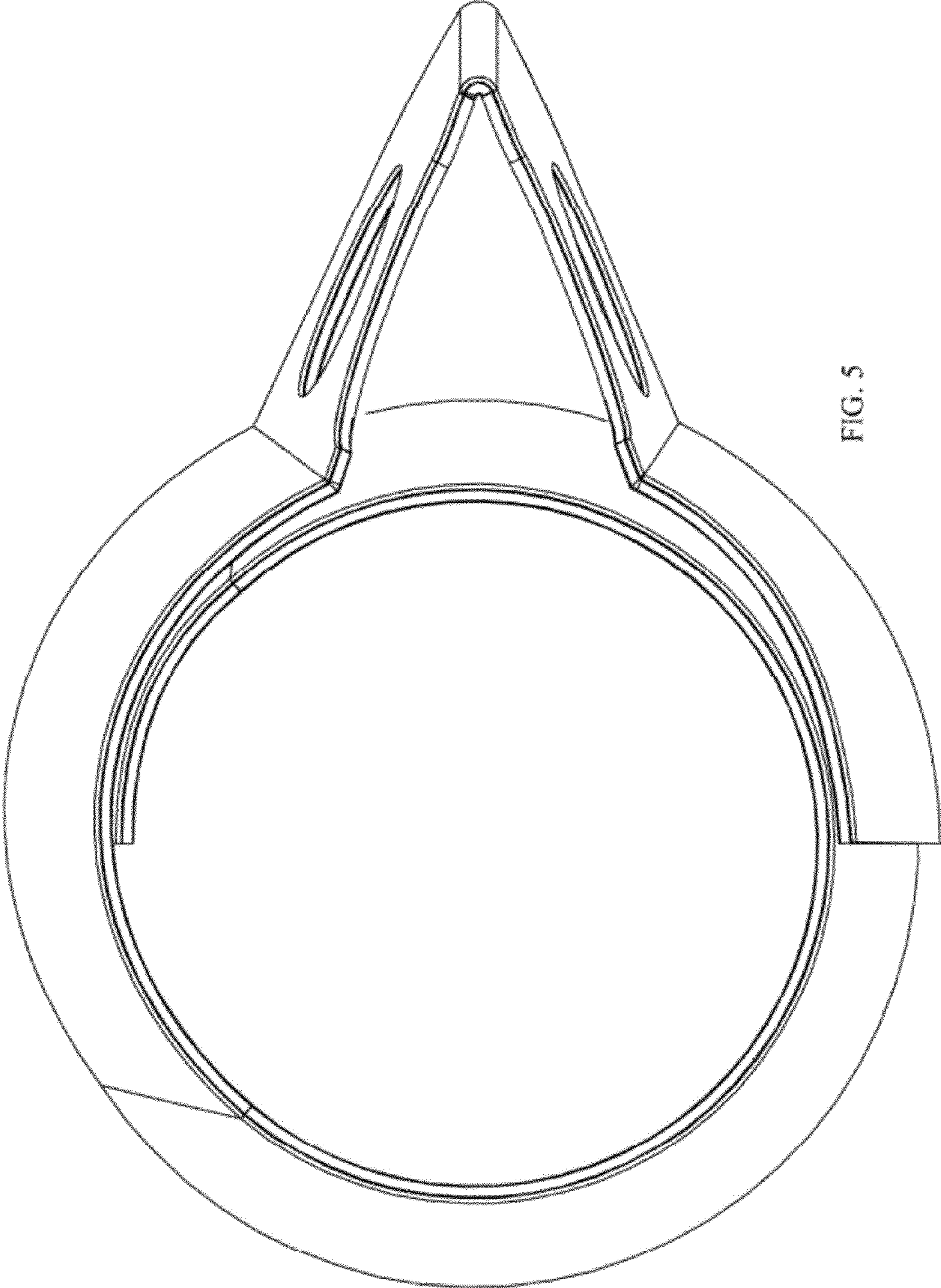


FIG. 5

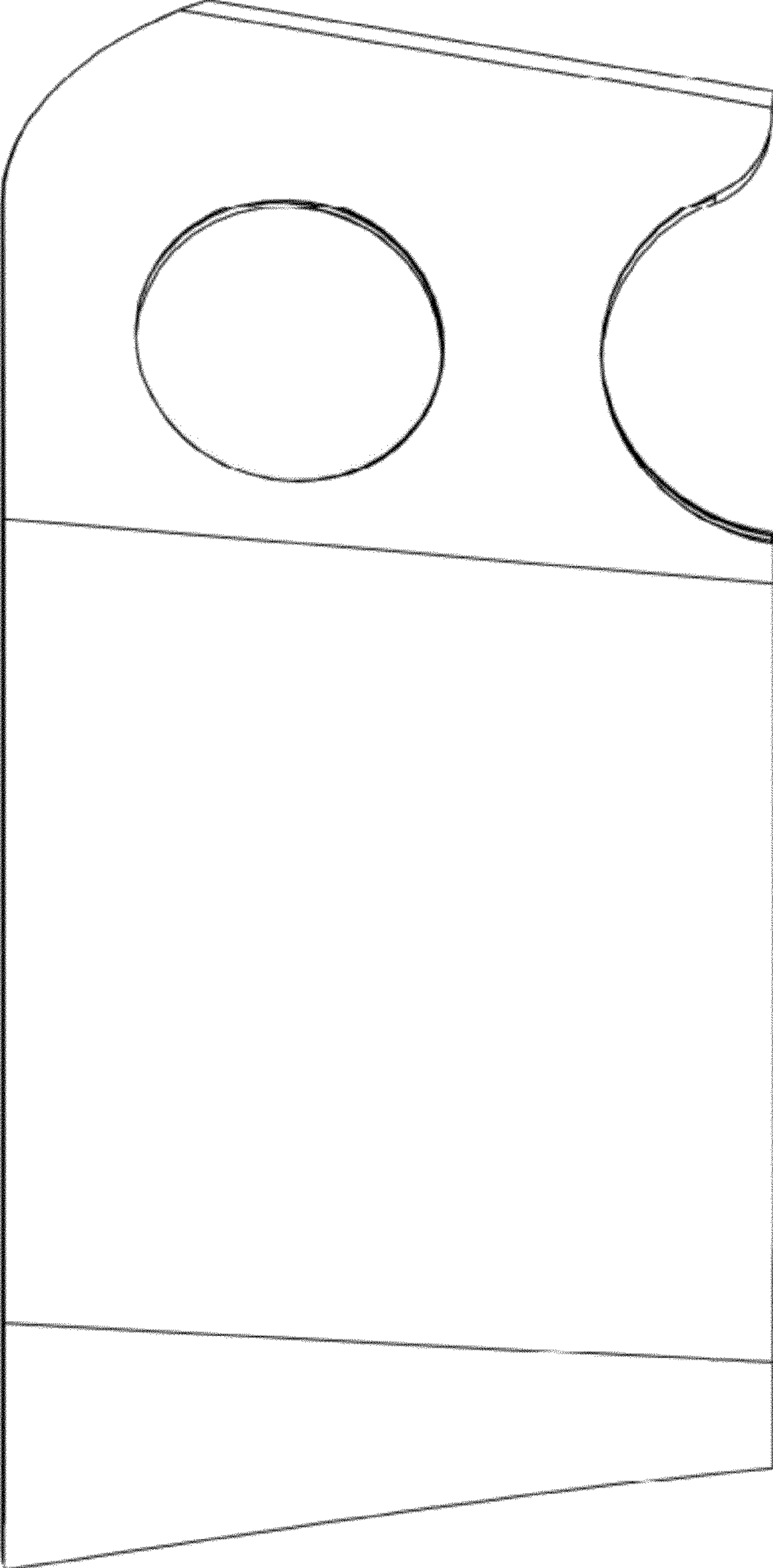


FIG. 6

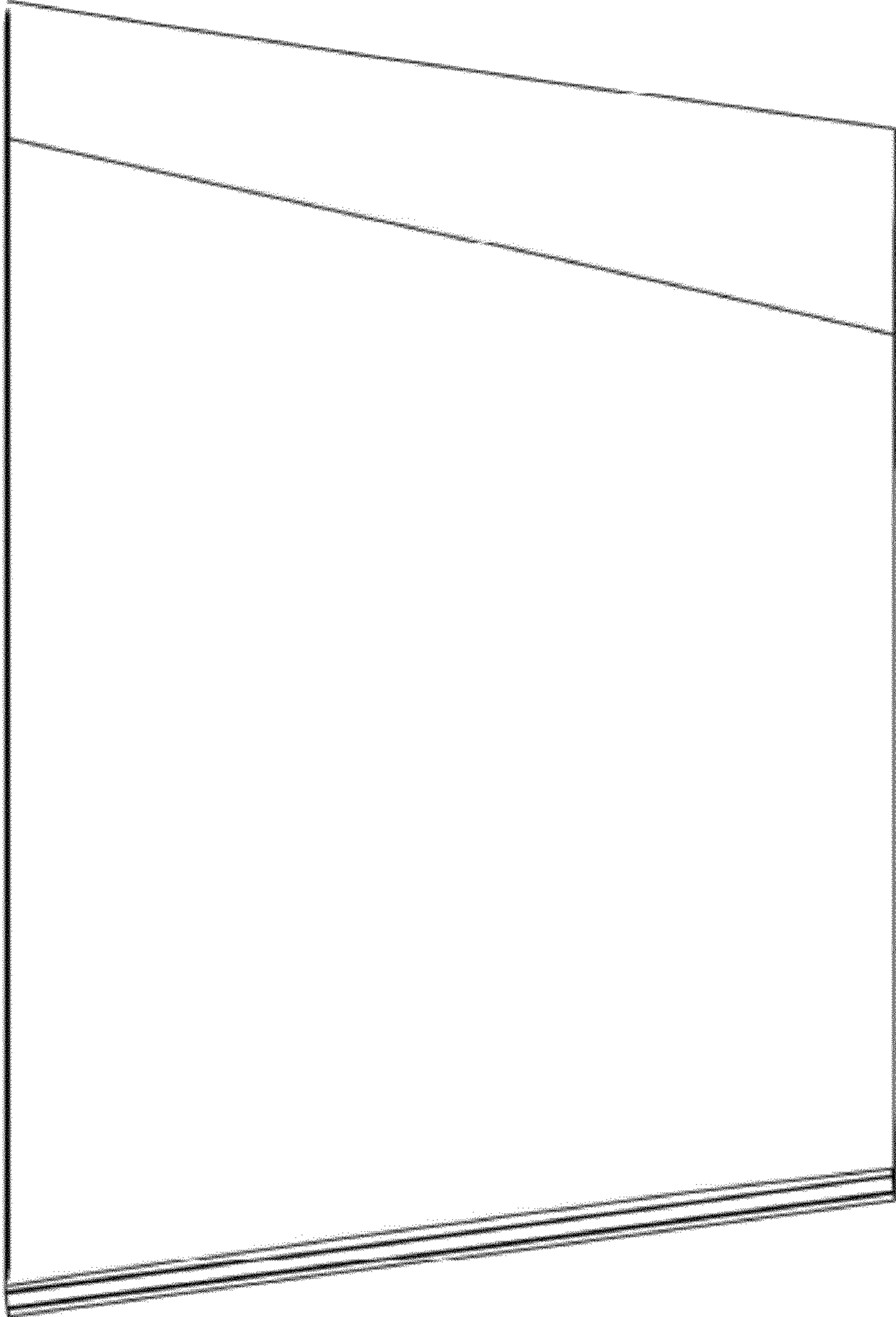


FIG. 7

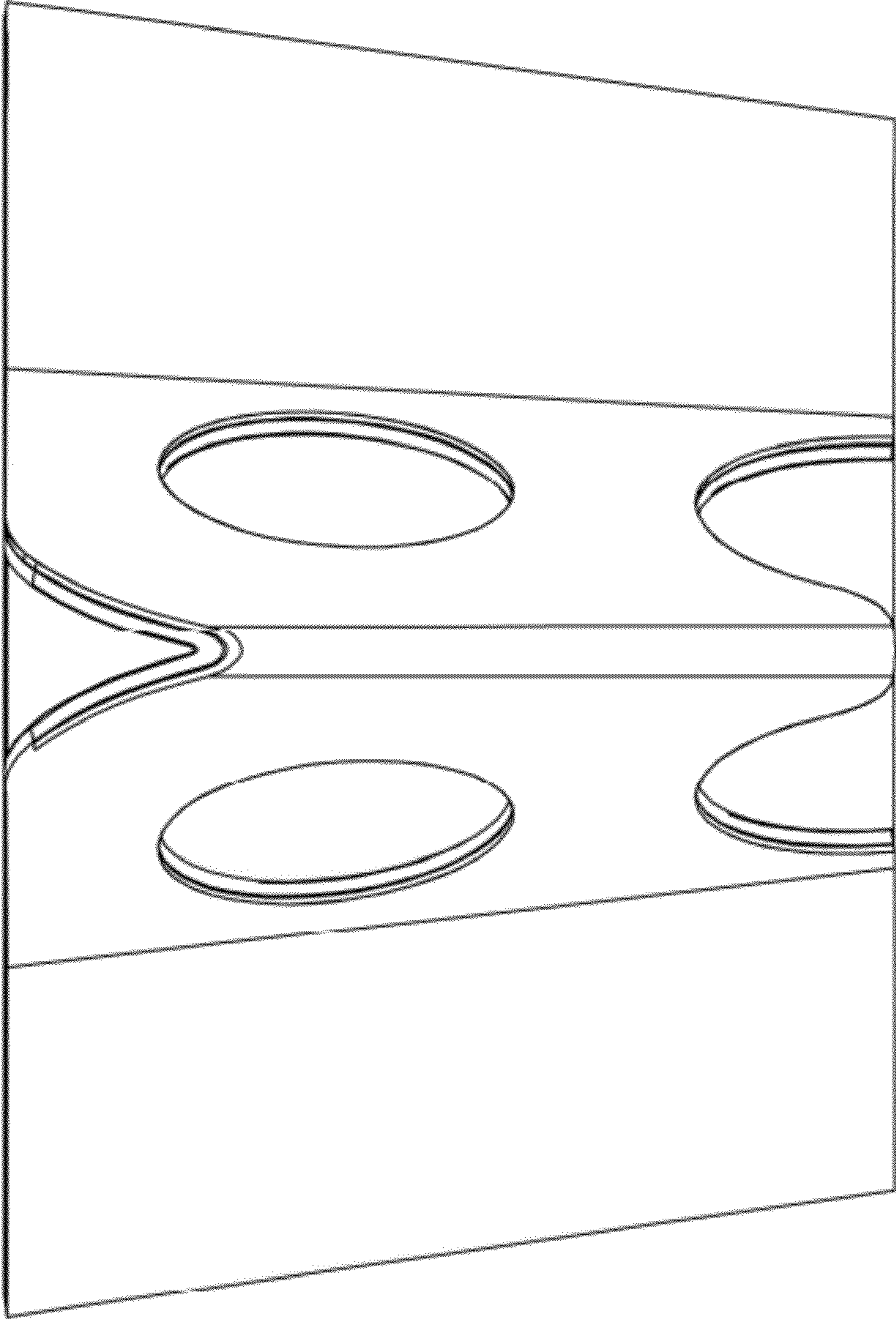


FIG. 8