



US00D670541S

(12) **United States Design Patent**
Trahan et al.

(10) **Patent No.:** **US D670,541 S**

(45) **Date of Patent:** **** Nov. 13, 2012**

(54) **TACO RACK**

(76) Inventors: **Bryant C. Trahan**, Lafayette, LA (US);
Erica D. Trahan, Lafayette, LA (US)

(**) Term: **14 Years**

(21) Appl. No.: **29/410,234**

(22) Filed: **Jan. 5, 2012**

(51) **LOC (9) Cl.** **07-04**

(52) **U.S. Cl.** **D7/504**

(58) **Field of Classification Search** D7/504,
D7/704; 99/425, 426, 441, 445, 450; 211/153,
211/182, 85.4, 13.1, 175, 186, 41.1, 41.2,
211/41.4, 41.12, 72, 181.1, 49.1, 206; 294/137;
D19/65, 75, 78, 86, 90, 91; 220/574-575
See application file for complete search history.

(56) **References Cited**

U.S. PATENT DOCUMENTS

1,888,141	A *	11/1932	Orth	211/41.2
3,168,229	A *	2/1965	Heifetz	211/41.2
3,915,309	A	10/1975	Brazdo		
4,004,501	A	1/1977	Guerrero		
4,118,081	A *	10/1978	Barrientos	211/41.2
4,228,902	A *	10/1980	Schulte	211/41.18
4,974,502	A	12/1990	Murdock		
D333,408	S *	2/1993	Fleisher	D7/504

5,191,977	A *	3/1993	Markovitz	211/40
5,199,577	A *	4/1993	Curtis	211/40
5,487,330	A	1/1996	Mooney		
5,598,932	A *	2/1997	Weidert	211/41.1
5,660,284	A *	8/1997	Vaughn	211/41.1
5,669,494	A *	9/1997	Geffen	211/41.12
7,048,117	B2 *	5/2006	Matsuno	211/41.12

* cited by examiner

Primary Examiner — Terry Wallace

(74) *Attorney, Agent, or Firm* — RG Patent Consulting LLC;
Rachel Gilboy

(57) **CLAIM**

We claim the ornamental design for a taco rack, as shown and described.

DESCRIPTION

FIG. 1 is a front, top and side perspective view of the taco rack embodying the design of the present invention.

FIG. 2 is a front elevational view thereof.

FIG. 3 is a rear elevational view thereof.

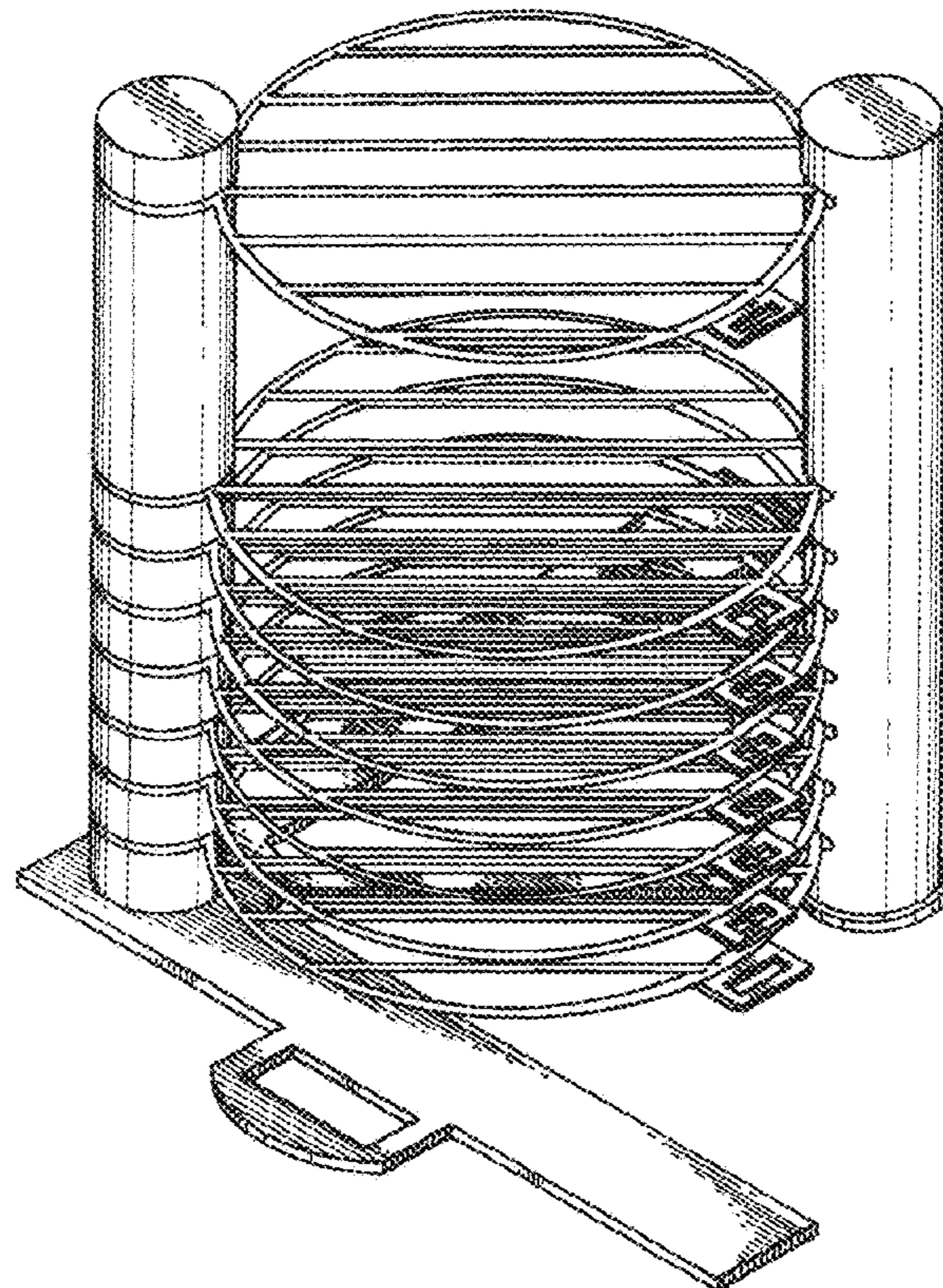
FIG. 4 is a side elevational view thereof.

FIG. 5 is a side elevational view thereof of the side opposite to the side shown in FIG. 4.

FIG. 6 is a top plan view thereof; and,

FIG. 7 is a bottom plan view thereof.

1 Claim, 7 Drawing Sheets



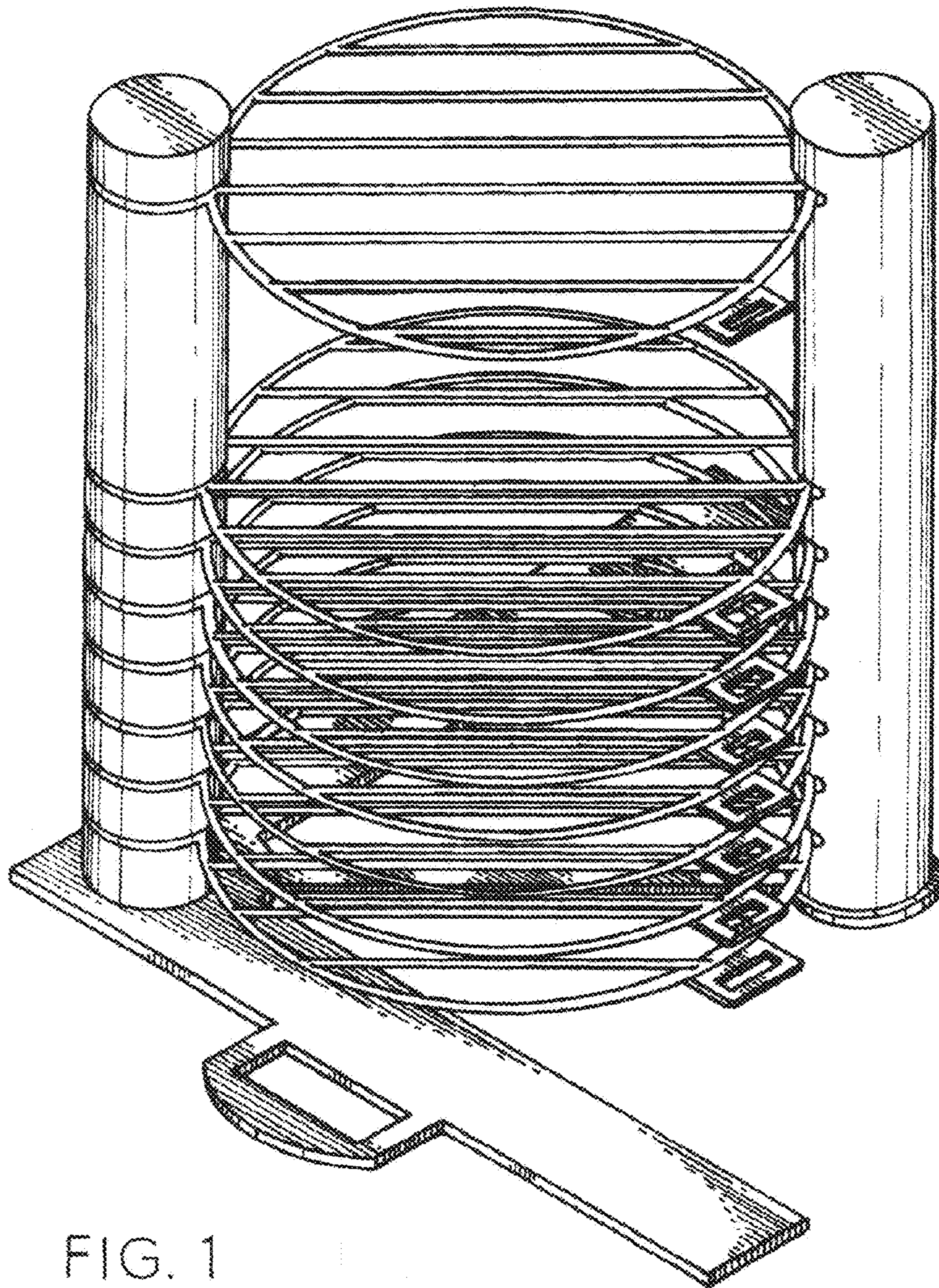


FIG. 1

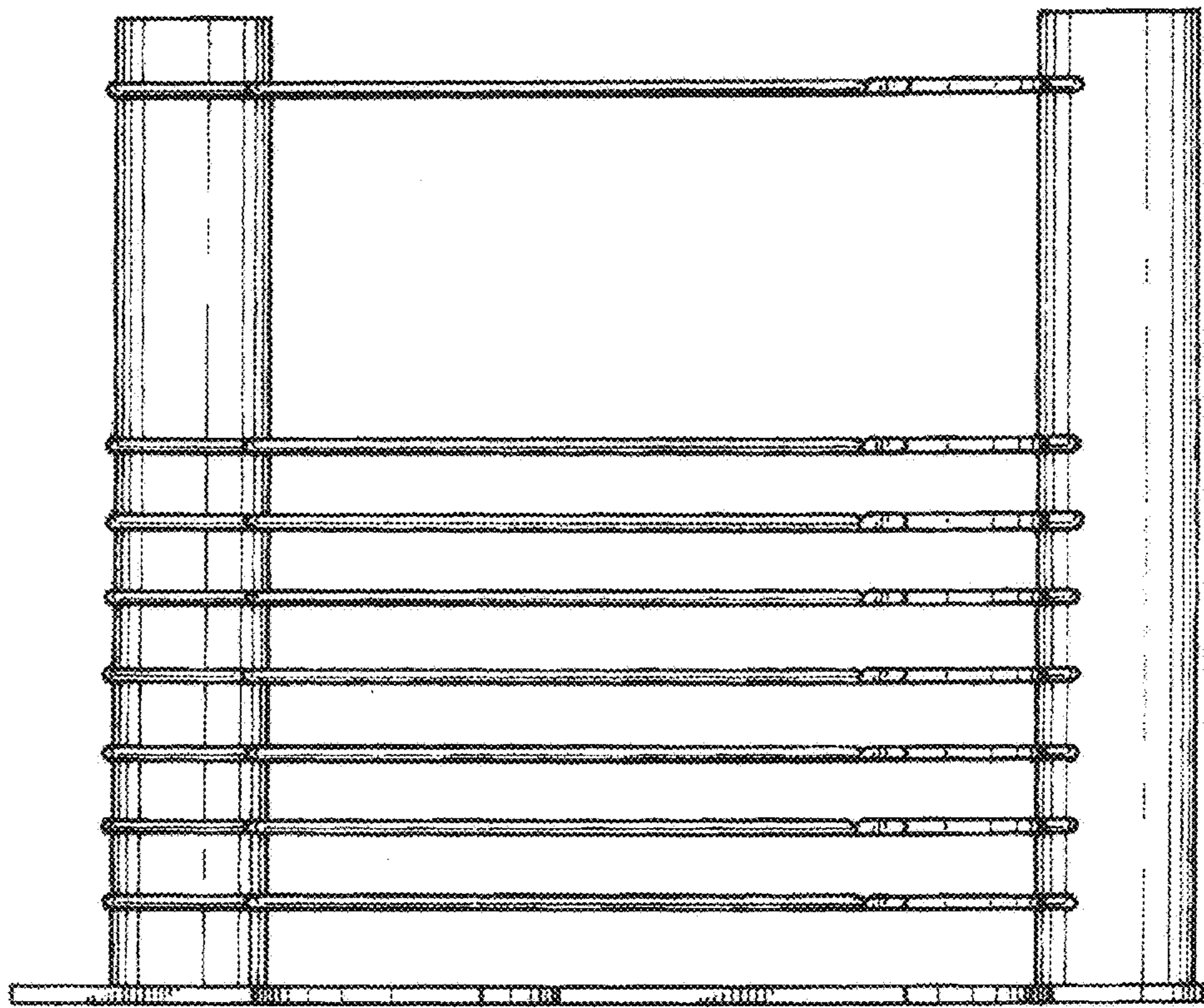


FIG. 2

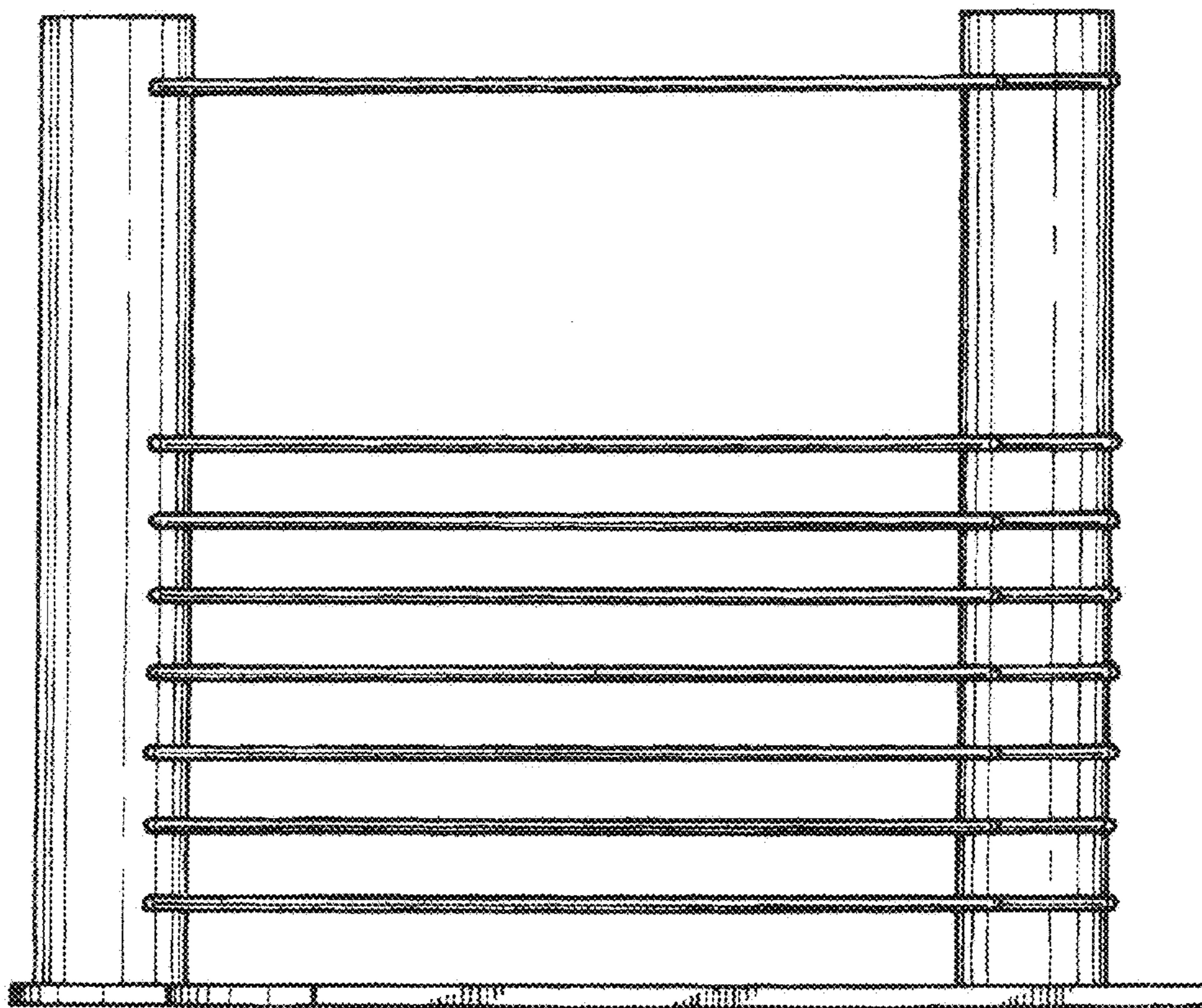


FIG. 3

FIG. 4

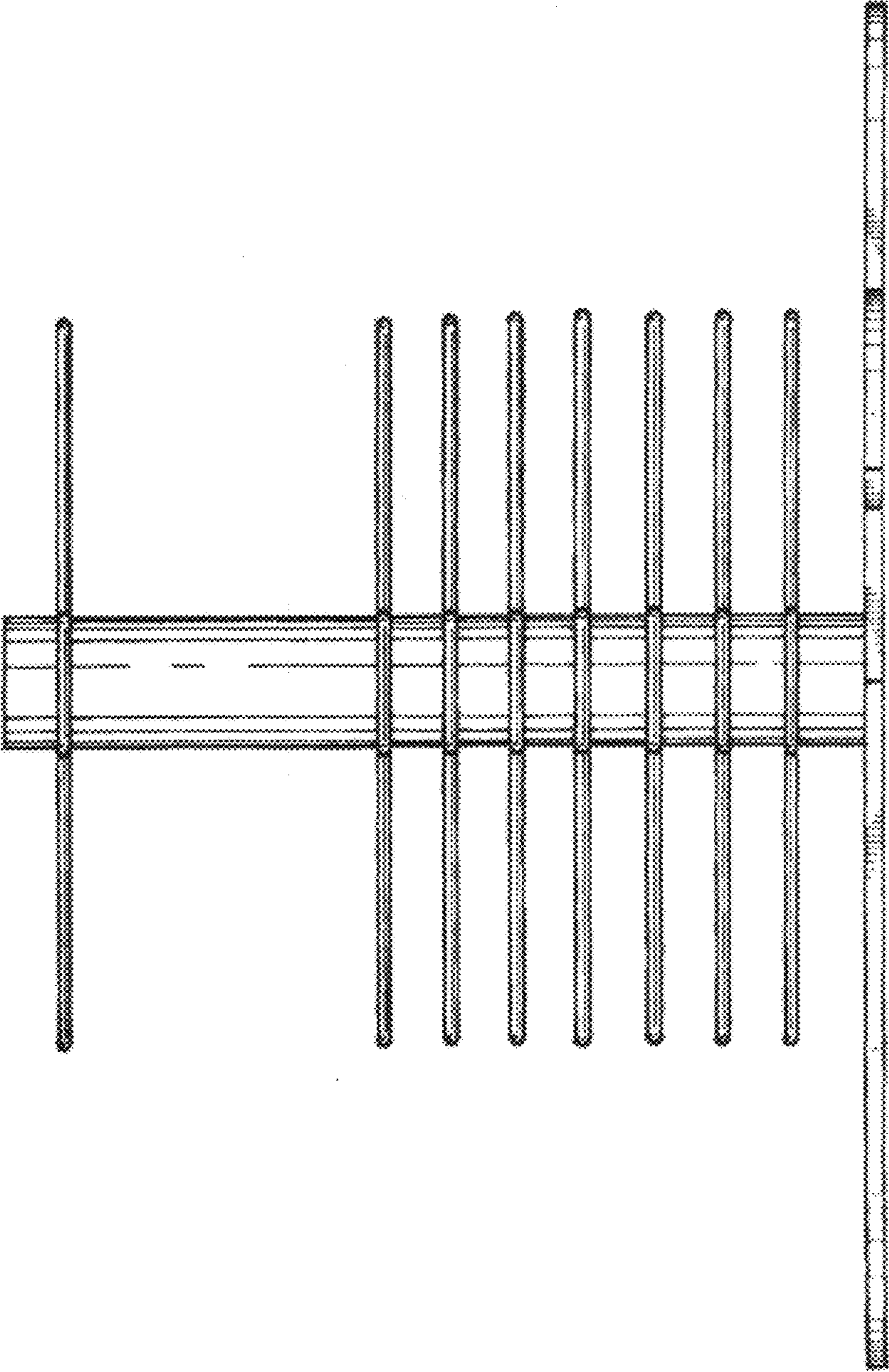


FIG. 5

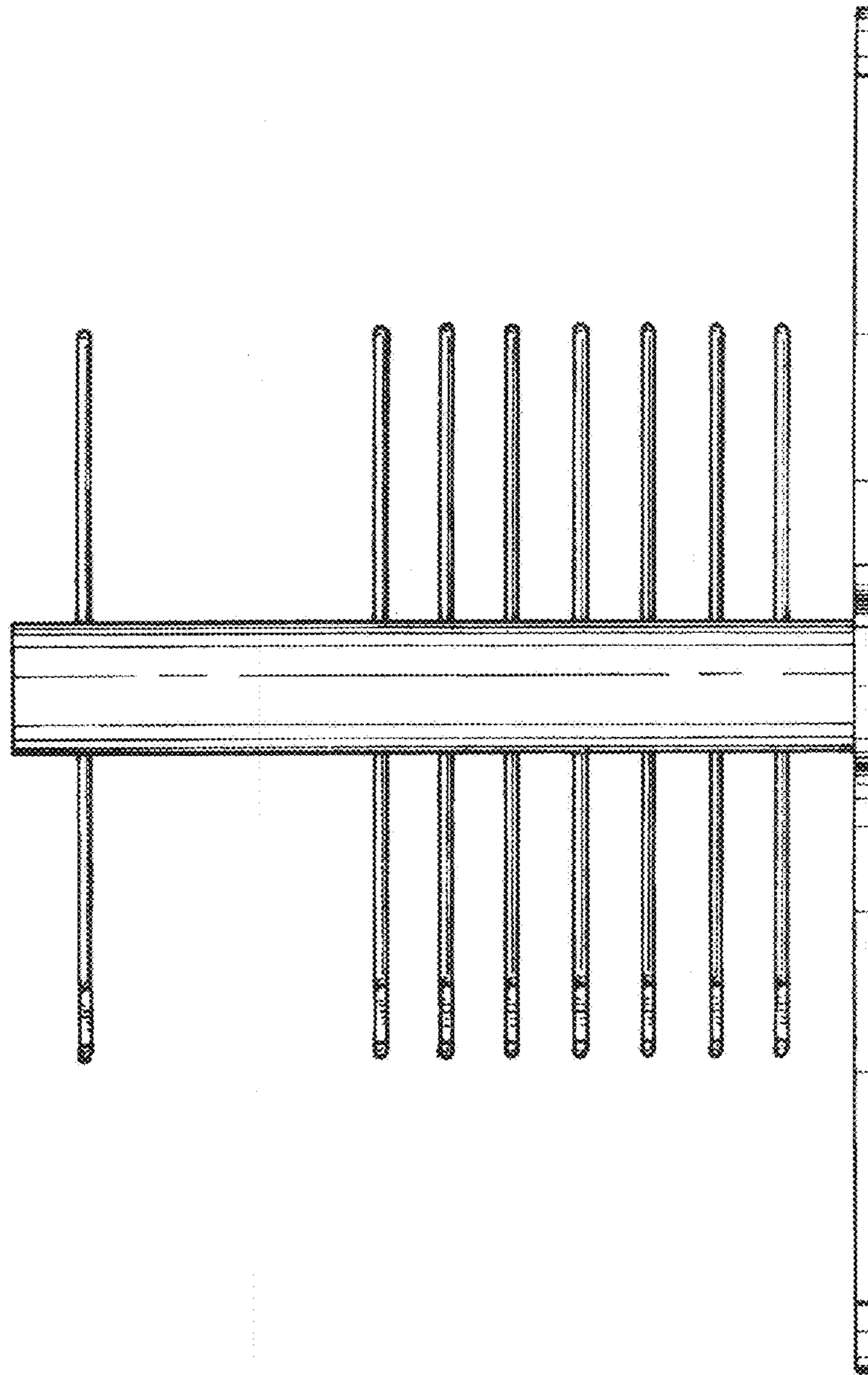
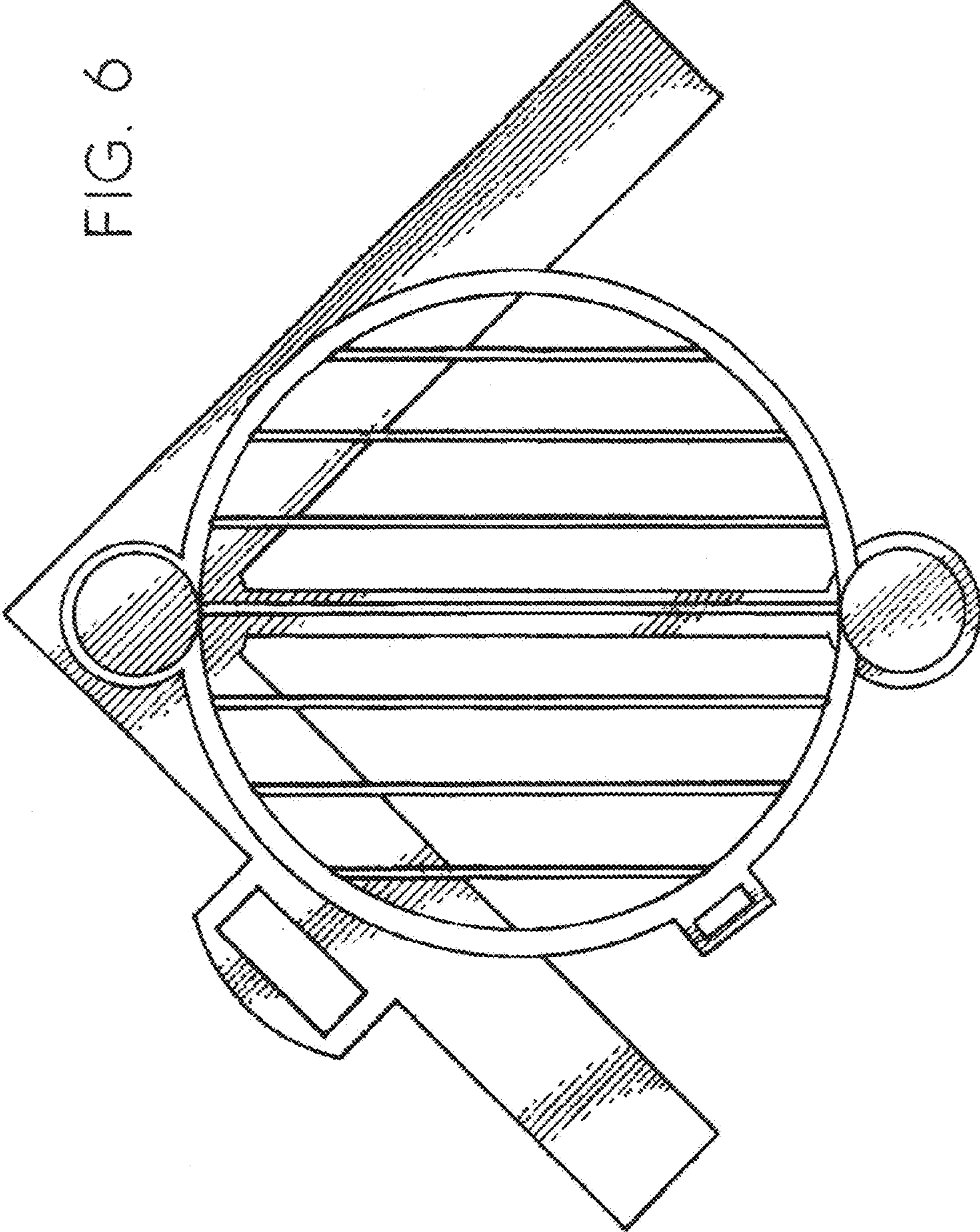


FIG. 6



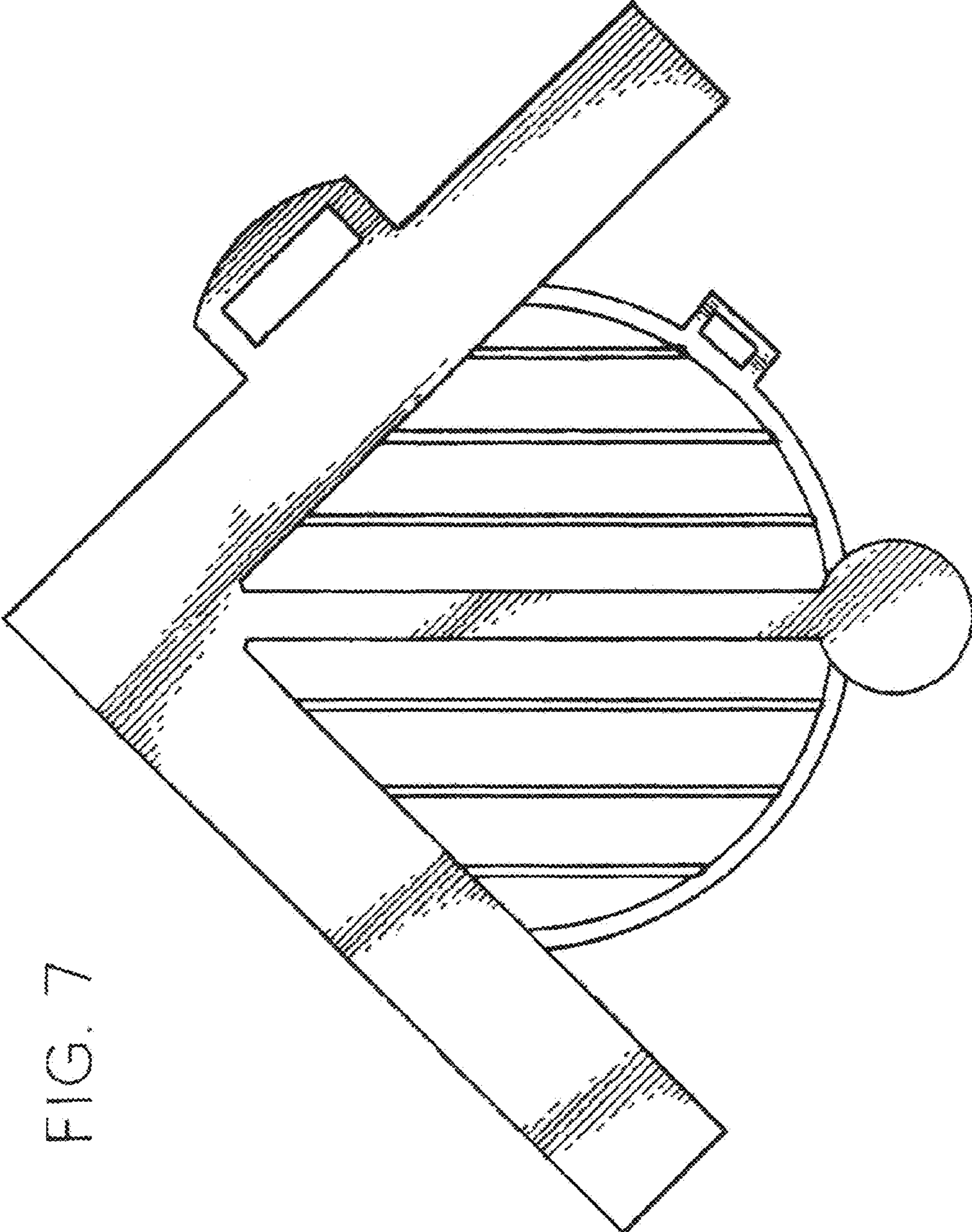


FIG. 7