



US00D670540S

(12) **United States Design Patent**
Starr et al.

(10) **Patent No.:** **US D670,540 S**
(45) **Date of Patent:** **** Nov. 13, 2012**

(54) **POD HOLDER**
(75) Inventors: **William D. Starr**, Richmond, VA (US);
Stephen C. Williamson, Arvonnia, VA
(US); **David R. Hawks**, Glen Allen, VA
(US)
(73) Assignee: **Hamilton Beach Brands, Inc.**, Glen
Allen, VA (US)
(**) Term: **14 Years**
(21) Appl. No.: **29/400,217**
(22) Filed: **Aug. 24, 2011**
(51) **LOC (9) Cl.** **07-99**
(52) **U.S. Cl.** **D7/400; D7/399**
(58) **Field of Classification Search** D7/667,
D7/400, 399, 403, 407, 409, 396.6; D9/424,
D9/414; 99/306, 295
See application file for complete search history.

5,190,652 A 3/1993 van Thoor et al.
D335,607 S * 5/1993 Newman D7/305
D341,286 S 11/1993 Grykiewicz et al.
5,287,797 A 2/1994 Grykiewicz et al.
5,389,253 A 2/1995 Cicconi
D389,697 S 1/1998 Smit
5,806,409 A 9/1998 Johnson et al.
D407,602 S * 4/1999 Patel D7/400
5,967,019 A 10/1999 Johnson et al.
D423,284 S 4/2000 Fischer
D442,430 S 5/2001 Pope
D458,804 S * 6/2002 Reames D7/409
D459,152 S 6/2002 Fischer et al.
D460,660 S 7/2002 Fischer et al.
6,465,028 B2 10/2002 Gutwein et al.
D486,355 S 2/2004 Lyall, III
6,752,070 B1 6/2004 Lin
6,777,007 B2 8/2004 Cai
6,786,134 B2 9/2004 Green
D513,152 S * 12/2005 Cahen D7/400
7,127,983 B2 10/2006 Huda et al.

(Continued)

Primary Examiner — Marianne Pandozzi
(74) *Attorney, Agent, or Firm* — Alexander D. Raring

(56) **References Cited**
U.S. PATENT DOCUMENTS

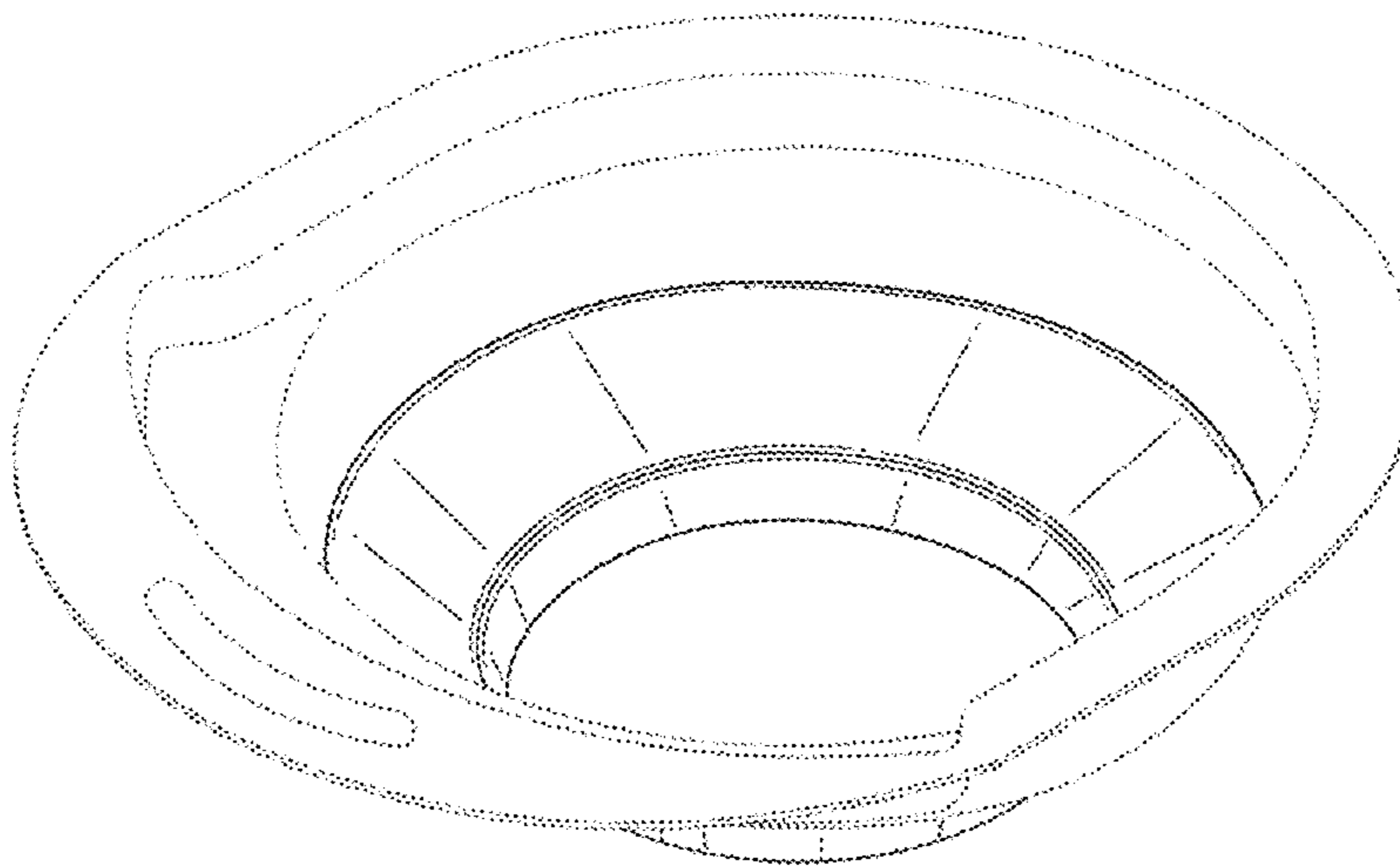
1,734,841 A 11/1929 Walden
3,068,777 A 3/1968 Martin
3,374,697 A 3/1968 Martin
3,374,897 A 3/1968 Martin
3,490,356 A 1/1970 Peterson et al.
3,561,349 A 2/1971 Endo et al.
3,610,132 A 10/1971 Martin et al.
D225,077 S 11/1972 Martin et al.
3,822,013 A 7/1974 Van Der Veken
3,823,656 A 7/1974 Vander Veken
4,056,050 A 11/1977 Brown
4,069,751 A 1/1978 Gronwick et al.
4,099,453 A 7/1978 Kaplan
4,108,053 A 8/1978 Vink
4,149,454 A 4/1979 Kemp
4,254,694 A 3/1981 Illy
4,328,740 A 5/1982 McDonough et al.
4,360,128 A 11/1982 Neumann
4,429,623 A 2/1984 Illy
4,550,024 A 10/1985 le Granse
D282,340 S * 1/1986 Lam D7/387
5,168,794 A 12/1992 Glucksman

(57) **CLAIM**
The ornamental design for a pod holder, as shown and described.

DESCRIPTION

FIG. 1 is a perspective view as seen from the top, front and right side of a pod holder for a beverage maker showing the new design;
FIG. 2 is a front view thereof;
FIG. 3 is a rear view thereof;
FIG. 4 is a right side view thereof;
FIG. 5 is a left side view thereof;
FIG. 6 is a top view thereof;
FIG. 7 is a bottom view thereof; and,
FIG. 8 is a perspective view as seen from the bottom and left side of the pod holder.
The broken lines in the drawings are included for illustrative purposes only and form no part of the claimed design.

1 Claim, 6 Drawing Sheets



US D670,540 S

Page 2

U.S. PATENT DOCUMENTS

D539,643 S *	4/2007	Abel	D9/424	2003/0207008 A1	11/2003	Albrecht
D624,785 S *	10/2010	Rousselin	D7/398	2004/0005384 A1	1/2004	Cai
D660,645 S *	5/2012	Zandona	D7/400	2004/0187696 A1	9/2004	Halliday et al.
2001/0014361 A1	8/2001	Gutwein et al.		2005/0236323 A1	10/2005	Oliver et al.
2003/0039731 A1	2/2003	Dalton et al.				

* cited by examiner

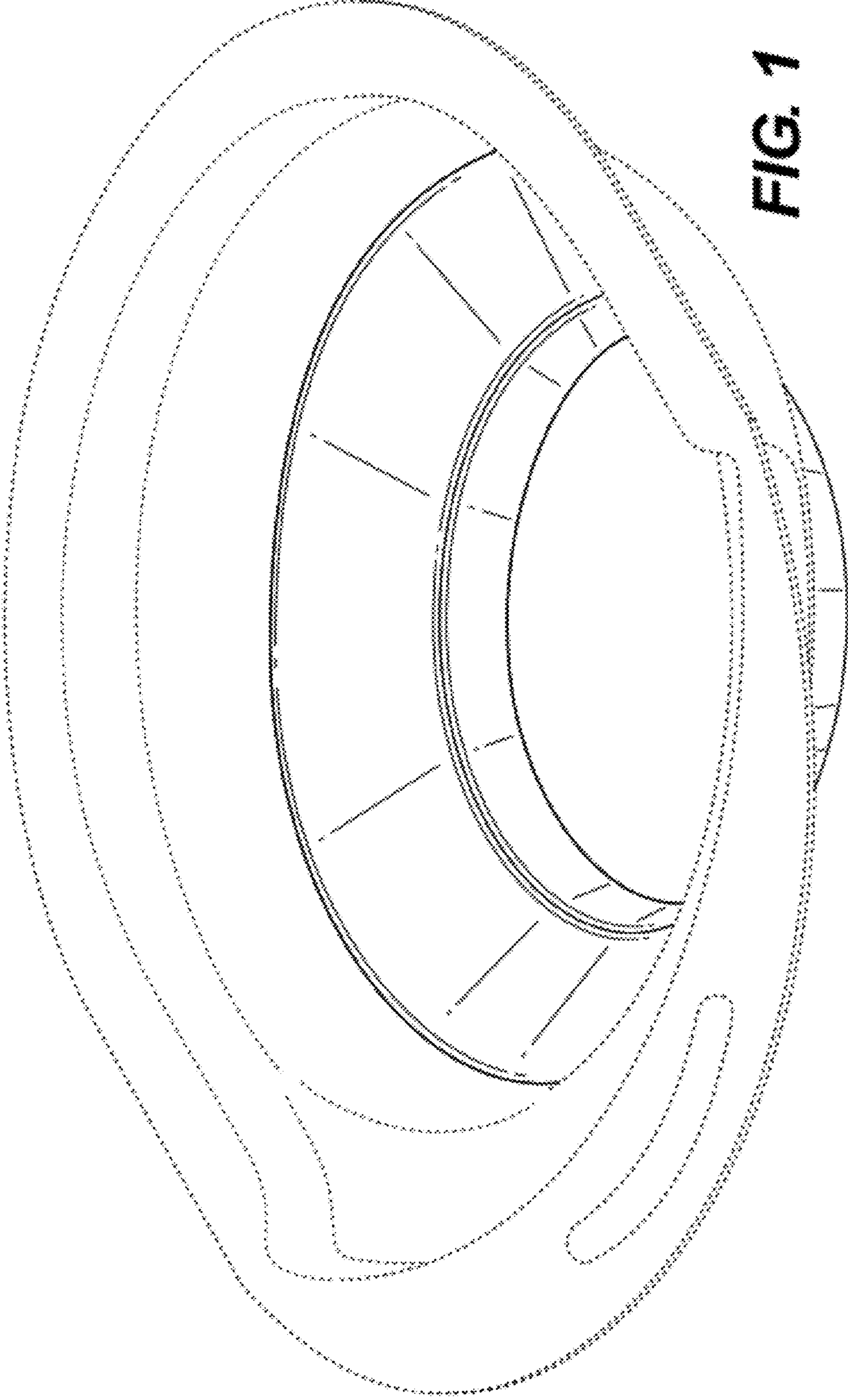


FIG. 1

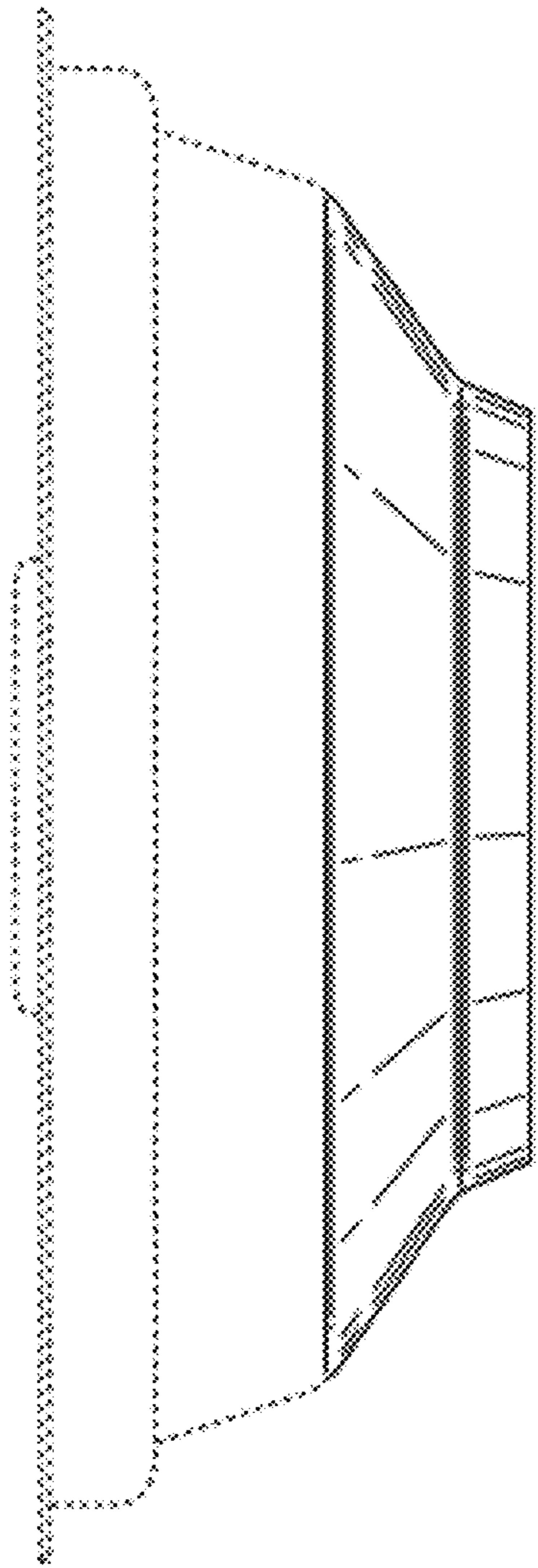


FIG. 2

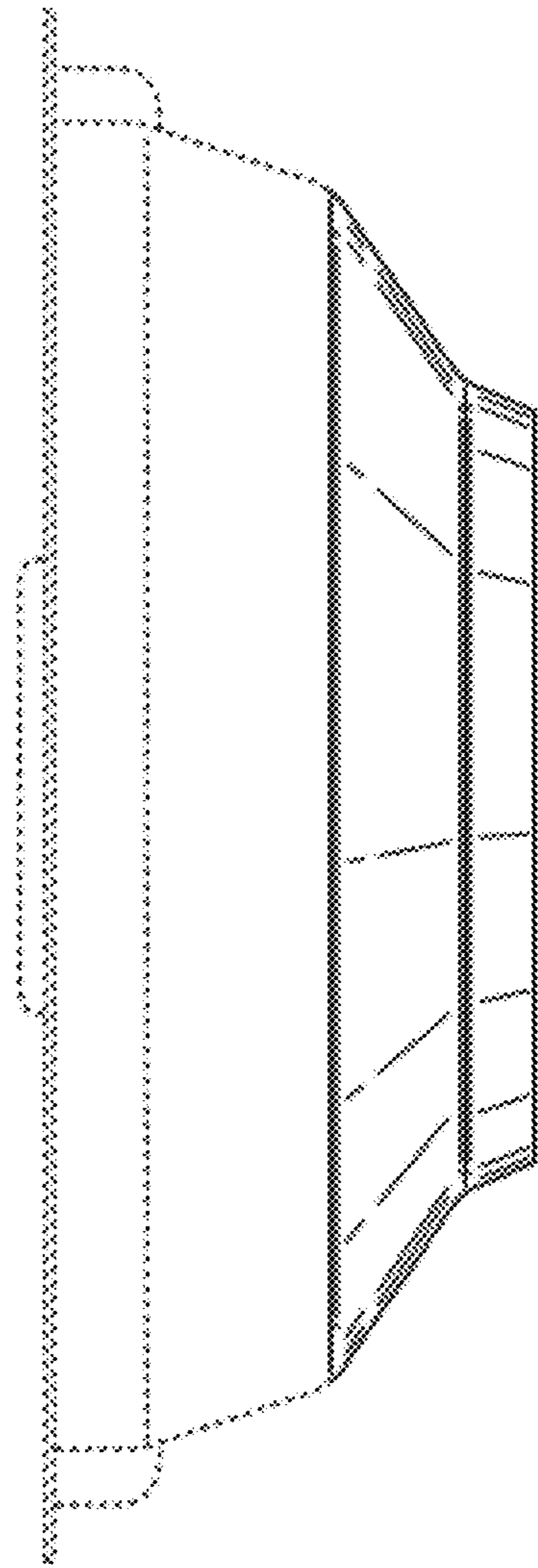


FIG. 3

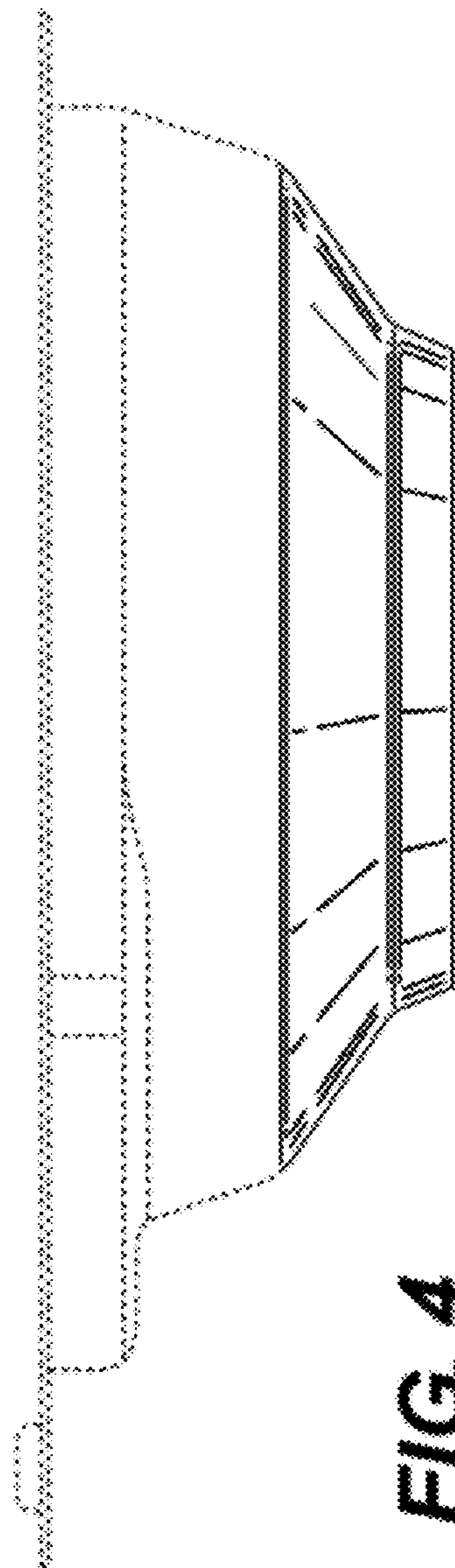


FIG. 4

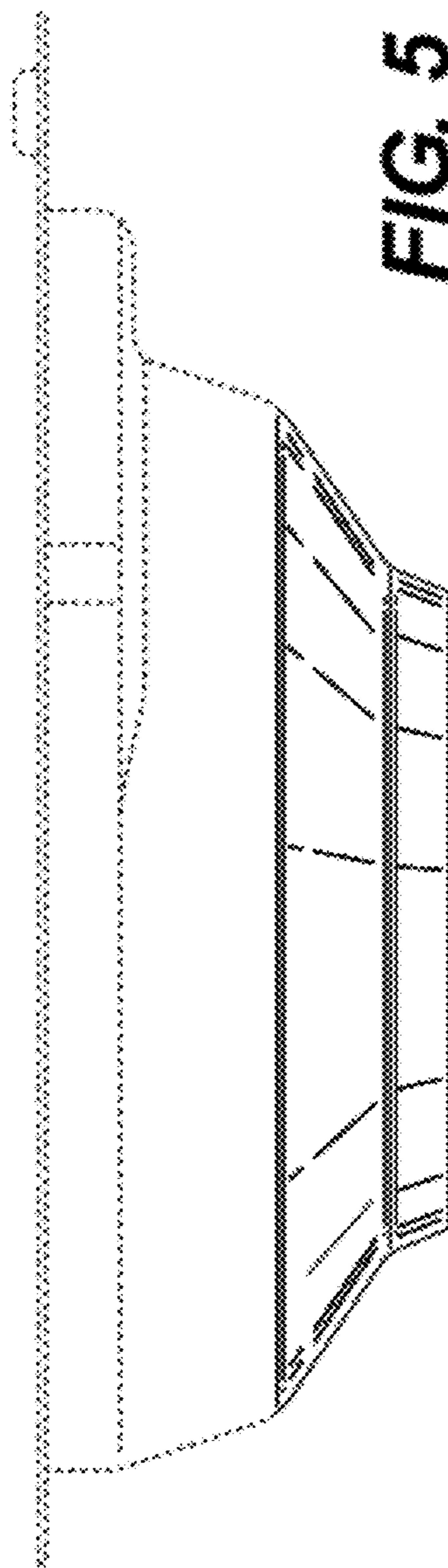


FIG. 5

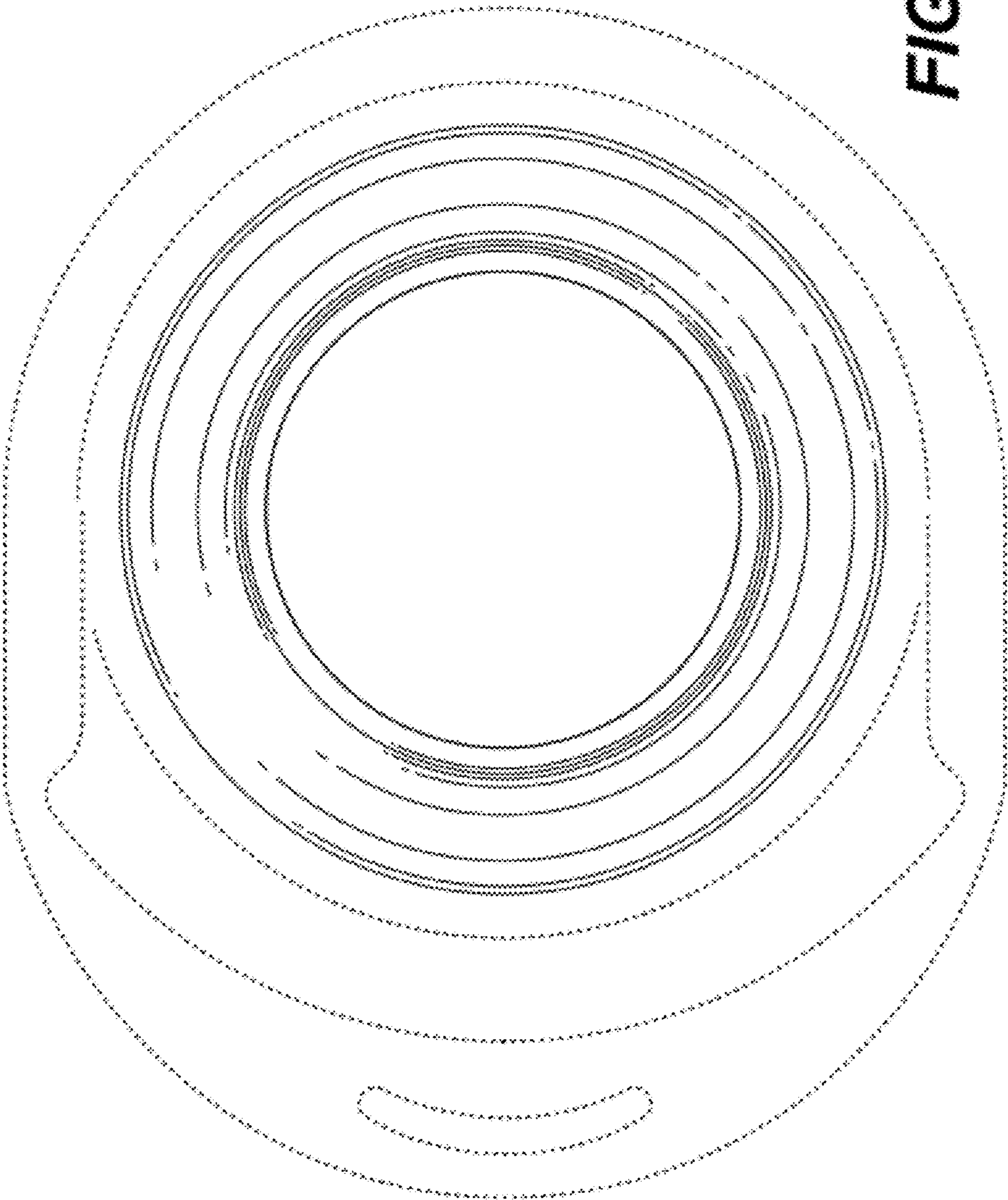


FIG. 6

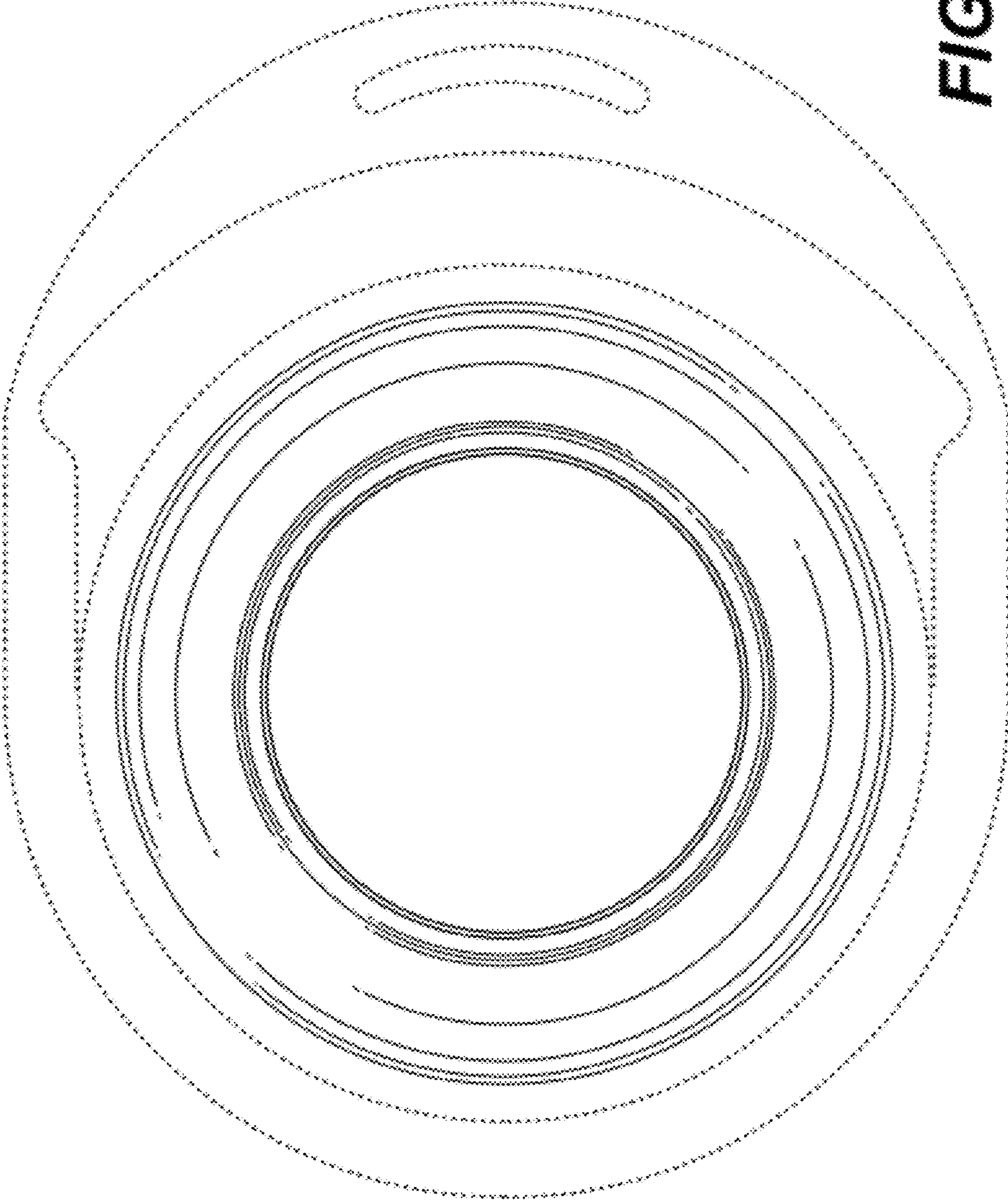


FIG. 7

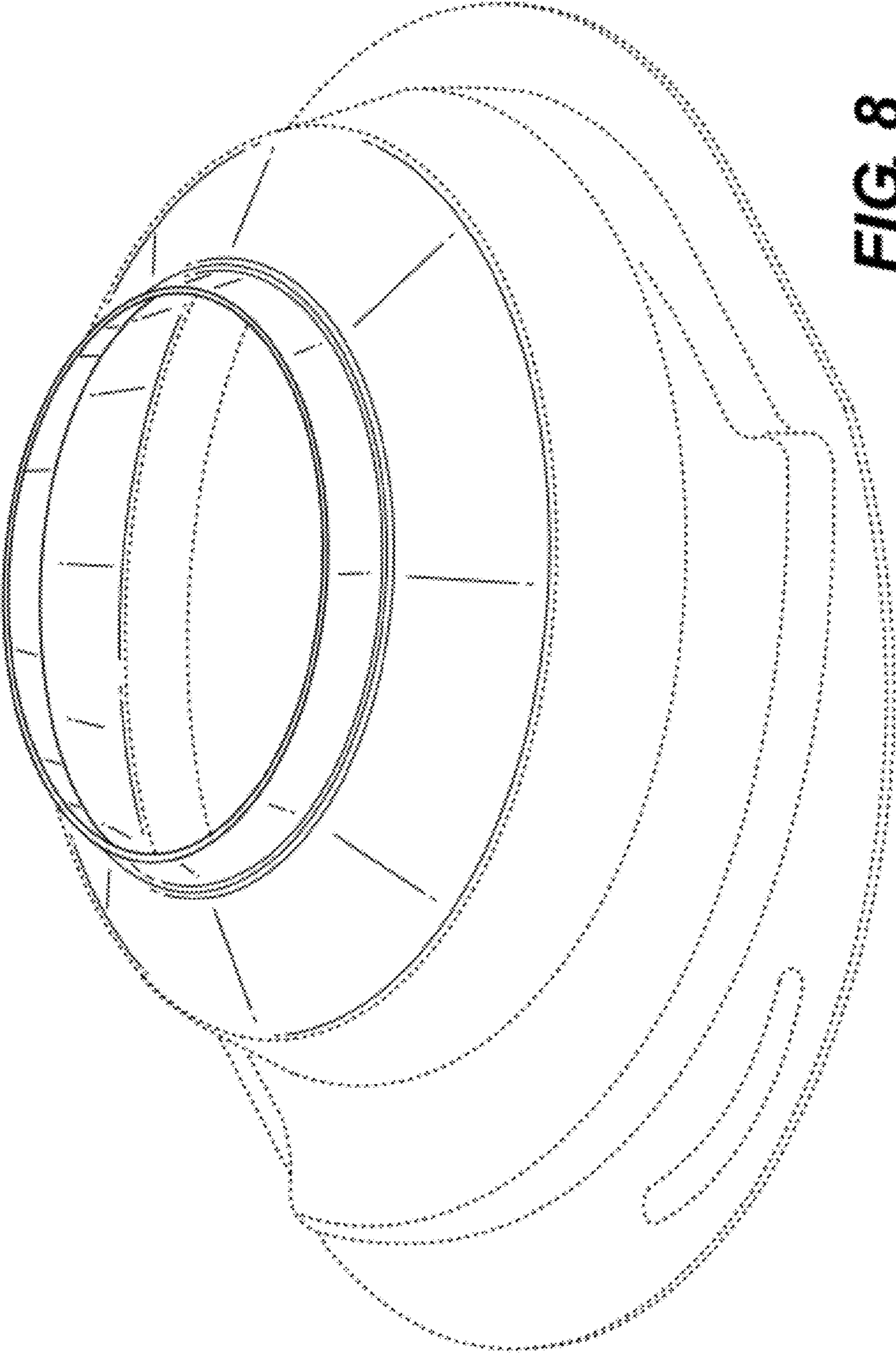


FIG. 8