



US00D670539S

(12) **United States Design Patent**  
**Starr et al.**

(10) **Patent No.:** **US D670,539 S**  
(45) **Date of Patent:** **\*\* Nov. 13, 2012**

(54) **POD HOLDER**  
(75) Inventors: **William D. Starr**, Richmond, VA (US);  
**Stephen C. Williamson**, Arvonnia, VA  
(US); **David R. Hawks**, Glen Allen, VA  
(US)

(73) Assignee: **Hamilton Beach Brands, Inc.**, Glen  
Allen, VA (US)

(\*\*) Term: **14 Years**

(21) Appl. No.: **29/400,188**

(22) Filed: **Aug. 24, 2011**

(51) **LOC (9) Cl.** ..... **07-99**

(52) **U.S. Cl.** ..... **D7/400; D7/399**

(58) **Field of Classification Search** ..... D7/667,  
D7/400, 399, 403, 407, 409, 396.6; D9/424,  
D9/414; 99/306, 295

See application file for complete search history.

5,190,652 A	3/1993	van Thoor et al.	
D335,607 S *	5/1993	Newman .....	D7/305
D341,286 S	11/1993	Grykiewicz et al.	
5,287,797 A	2/1994	Grykiewicz et al.	
5,389,253 A	2/1995	Cicconi	
D389,697 S	1/1998	Smit	
5,806,409 A	9/1998	Johnson et al.	
D407,602 S *	4/1999	Patel .....	D7/400
5,967,019 A	10/1999	Johnson et al.	
D423,284 S	4/2000	Fischer	
D442,430 S	5/2001	Pope	
D458,804 S *	6/2002	Reames .....	D7/409
D459,152 S	6/2002	Fischer et al.	
D460,660 S	7/2002	Fischer et al.	
6,465,028 B2	10/2002	Gutwein et al.	
D486,355 S	2/2004	Lyall, III	
6,752,070 B1	6/2004	Lin	
6,777,007 B2	8/2004	Cai	
6,786,134 B2	9/2004	Green	
D513,152 S *	12/2005	Cahen .....	D7/400
7,127,983 B2	10/2006	Huda et al.	
D539,643 S *	4/2007	Abel .....	D9/424
D624,785 S *	10/2010	Rousselin .....	D7/398

(Continued)

(56) **References Cited**

U.S. PATENT DOCUMENTS

1,734,841 A	11/1929	Walden	
3,068,777 A	3/1968	Martin	
3,374,697 A	3/1968	Martin	
3,374,897 A	3/1968	Martin	
3,490,356 A	1/1970	Peterson et al.	
3,561,349 A	2/1971	Endo et al.	
3,610,132 A	10/1971	Martin et al.	
D225,077 S	11/1972	Martin et al.	
3,822,013 A	7/1974	Van Der Veken	
3,823,656 A	7/1974	Vander Veken	
4,056,050 A	11/1977	Brown	
4,069,751 A	1/1978	Gronwick et al.	
4,099,453 A	7/1978	Kaplan	
4,108,053 A	8/1978	Vink	
4,149,454 A	4/1979	Kemp	
4,254,694 A	3/1981	Illy	
4,328,740 A	5/1982	McDonough et al.	
4,360,128 A	11/1982	Neumann	
4,429,623 A	2/1984	Illy	
4,550,024 A	10/1985	le Granse	
D282,340 S *	1/1986	Lam .....	D7/387
5,168,794 A	12/1992	Glucksman	

*Primary Examiner* — Marianne Pandozzi

(74) *Attorney, Agent, or Firm* — Alexander D. Raring

(57) **CLAIM**

The ornamental design for a pod holder, as shown and described.

**DESCRIPTION**

FIG. 1 is a perspective view as seen from the top, front and right side of a pod holder for a beverage maker showing the new design;

FIG. 2 is a front view thereof;

FIG. 3 is a rear view thereof;

FIG. 4 is a right side view thereof;

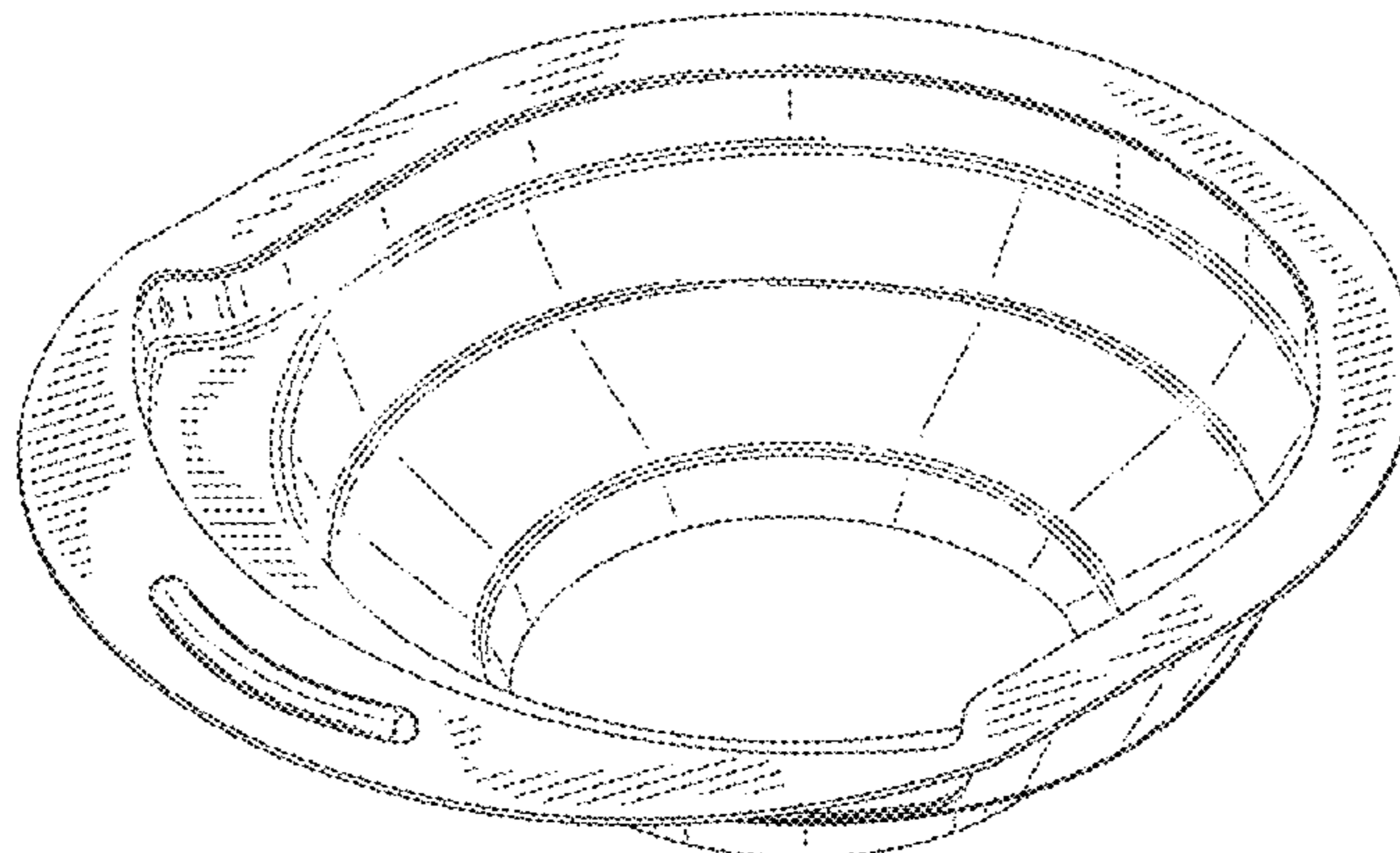
FIG. 5 is a left side view thereof;

FIG. 6 is a top view thereof;

FIG. 7 is a bottom view thereof; and,

FIG. 8 is a perspective view as seen from the bottom and left side of the pod holder.

**1 Claim, 6 Drawing Sheets**



# US D670,539 S

Page 2

---

## U.S. PATENT DOCUMENTS

D660,645 S *	5/2012	Zandona .....	D7/400	2004/0005384 A1	1/2004	Cai
2001/0014361 A1	8/2001	Gutwein et al.		2004/0187696 A1	9/2004	Halliday et al.
2003/0039731 A1	2/2003	Dalton et al.		2005/0236323 A1	10/2005	Oliver et al.
2003/0207008 A1	11/2003	Albrecht				

\* cited by examiner

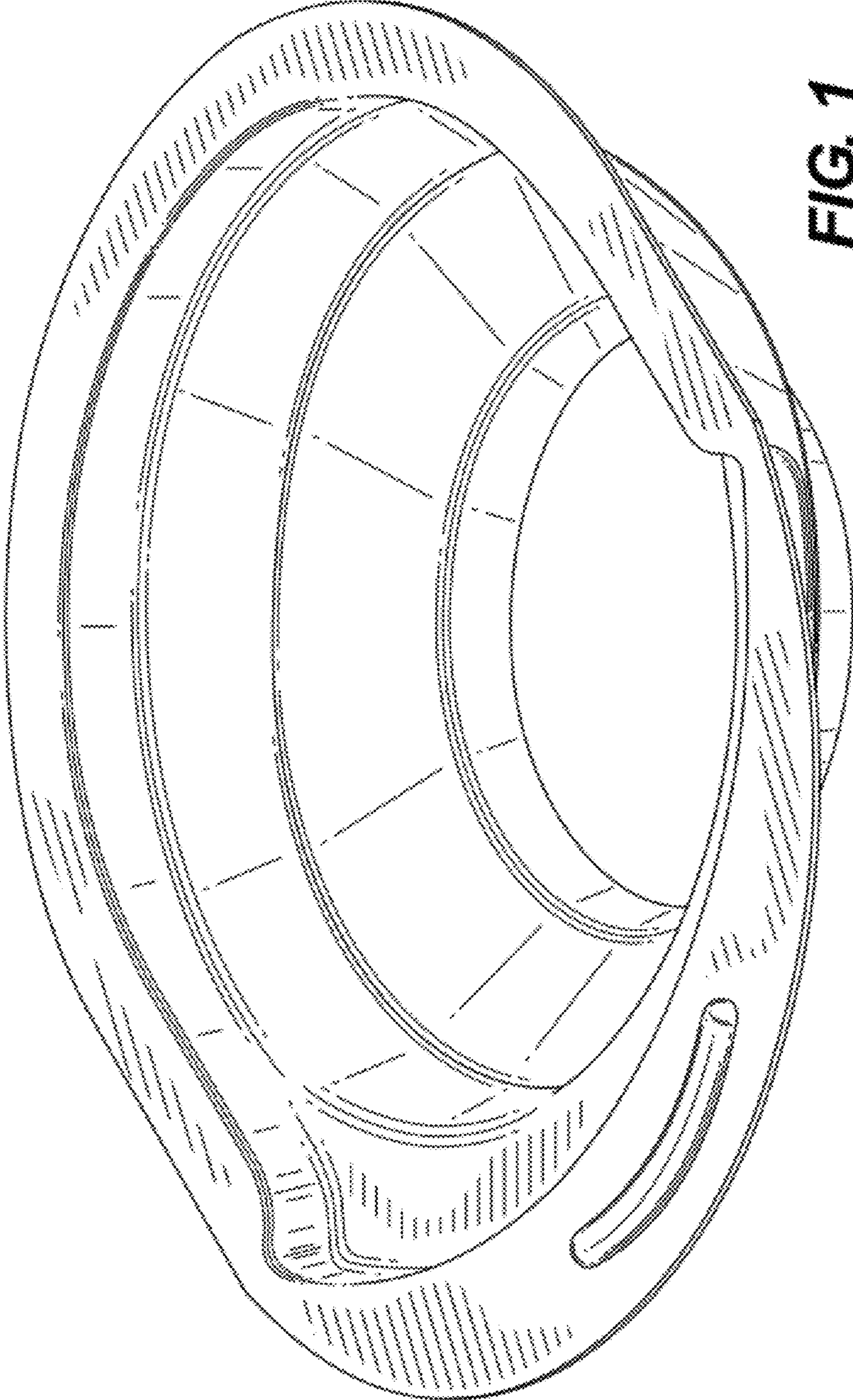
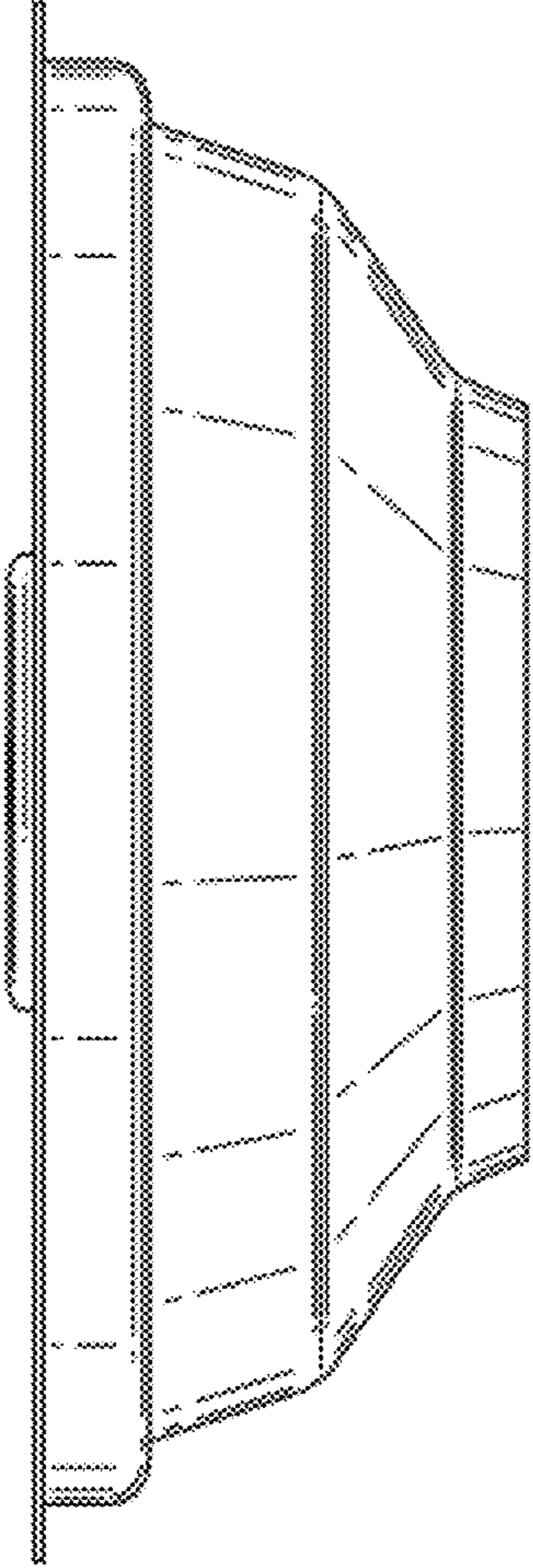
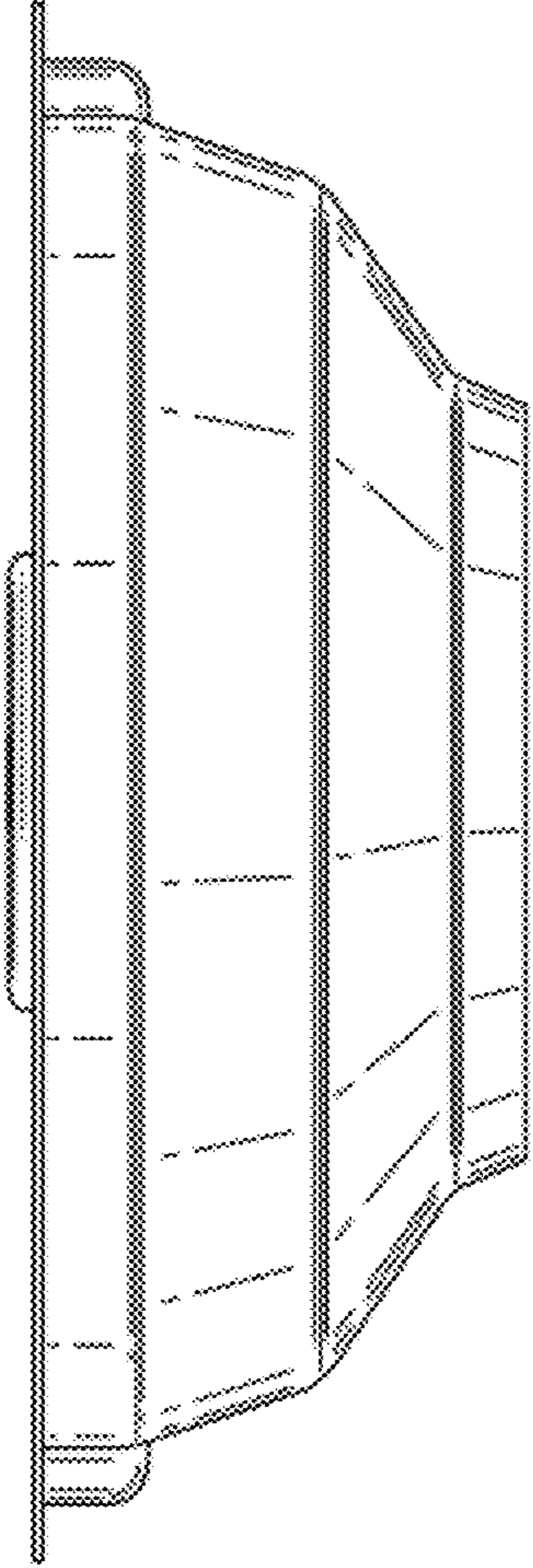


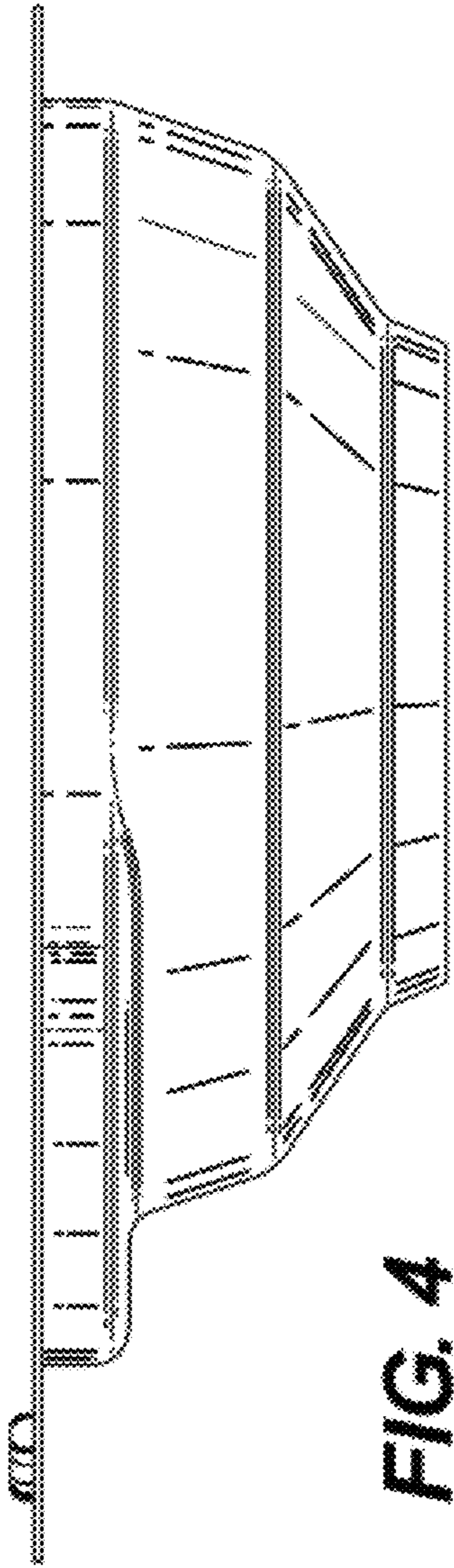
FIG. 1



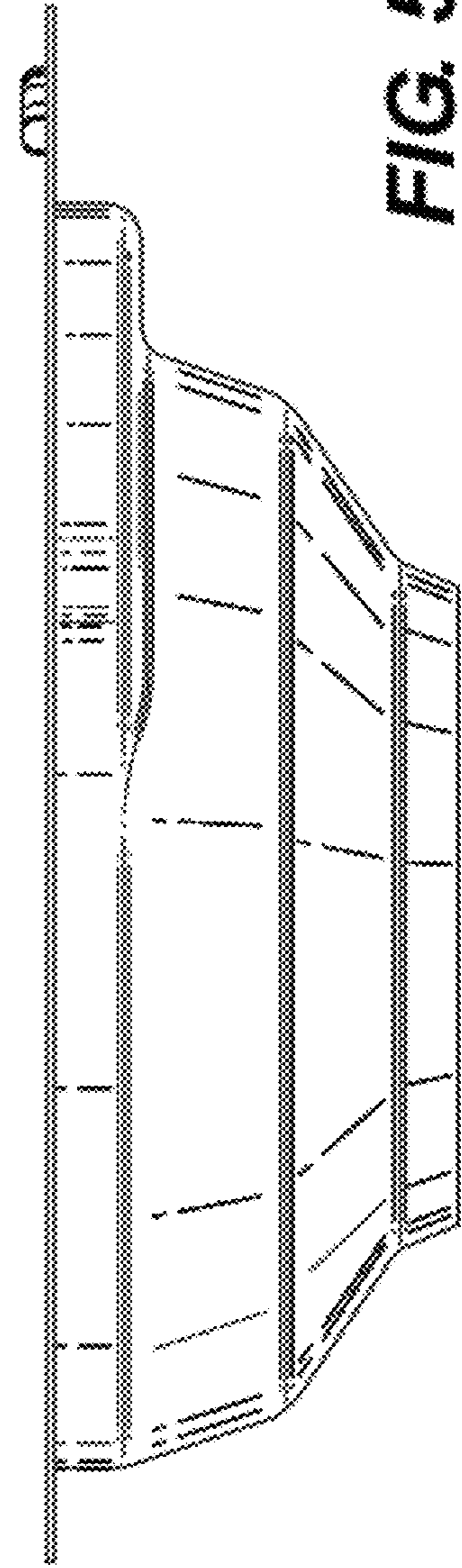
**FIG. 2**



**FIG. 3**



**FIG. 4**



**FIG. 5**

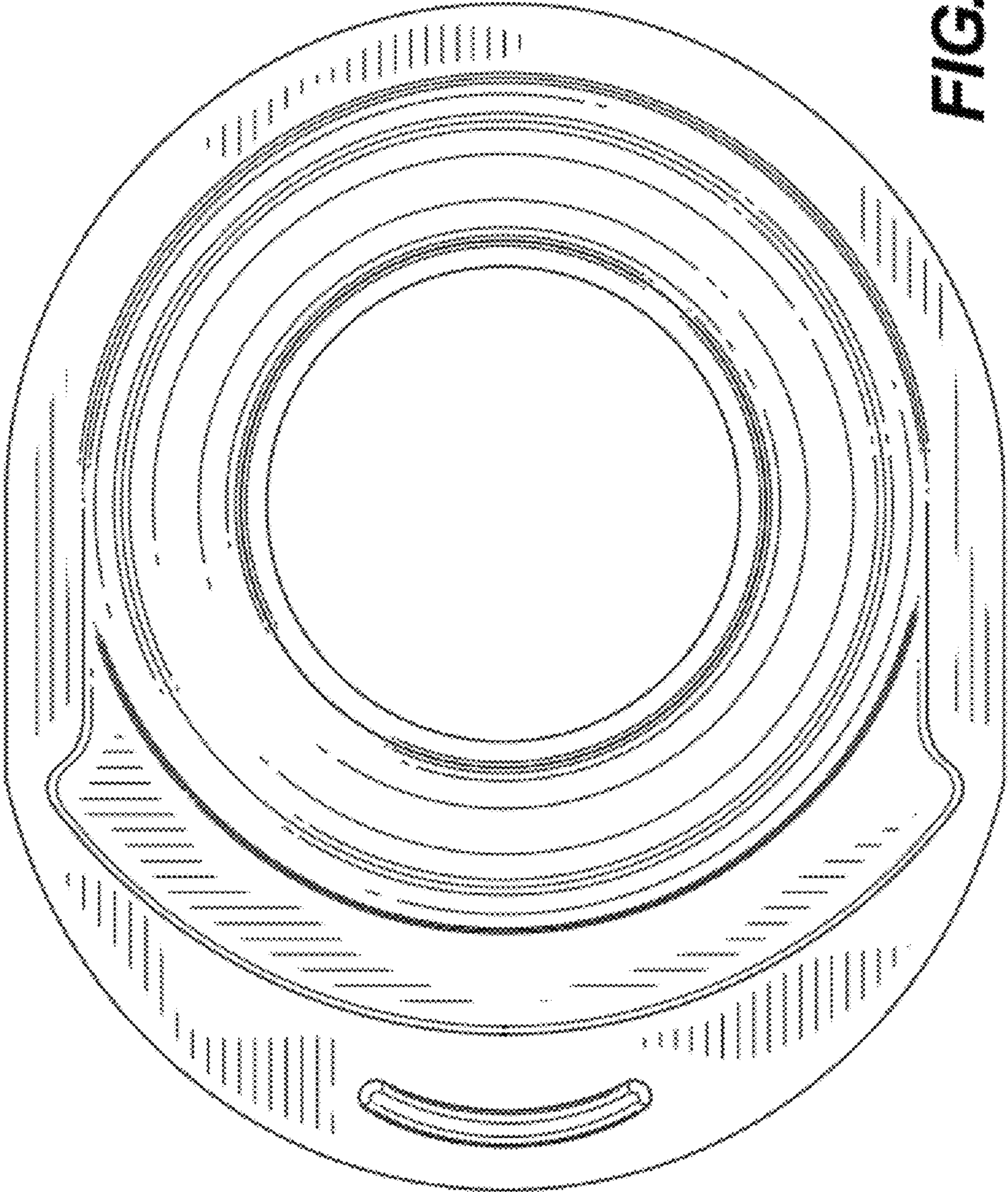


FIG. 6

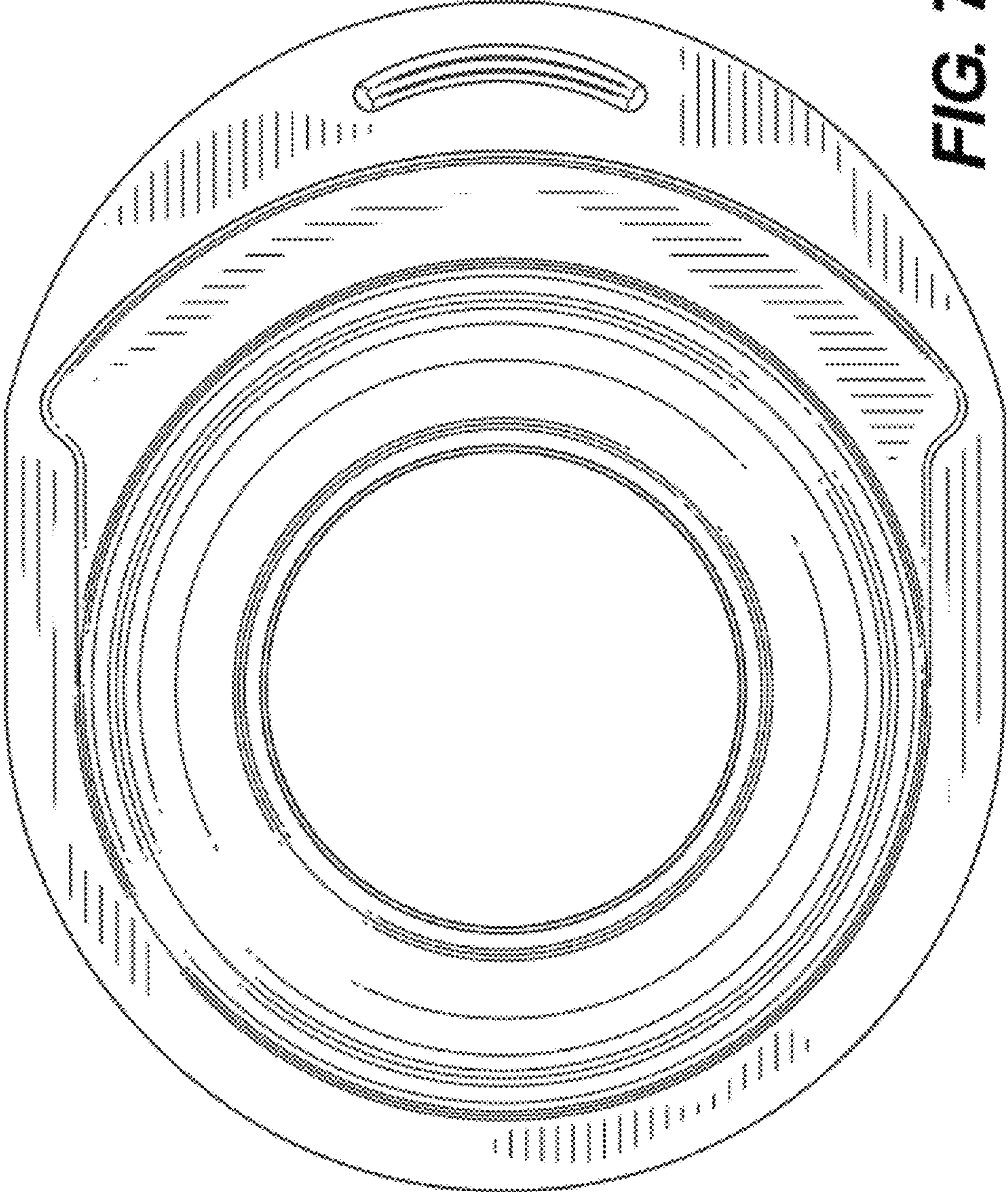


FIG. 7

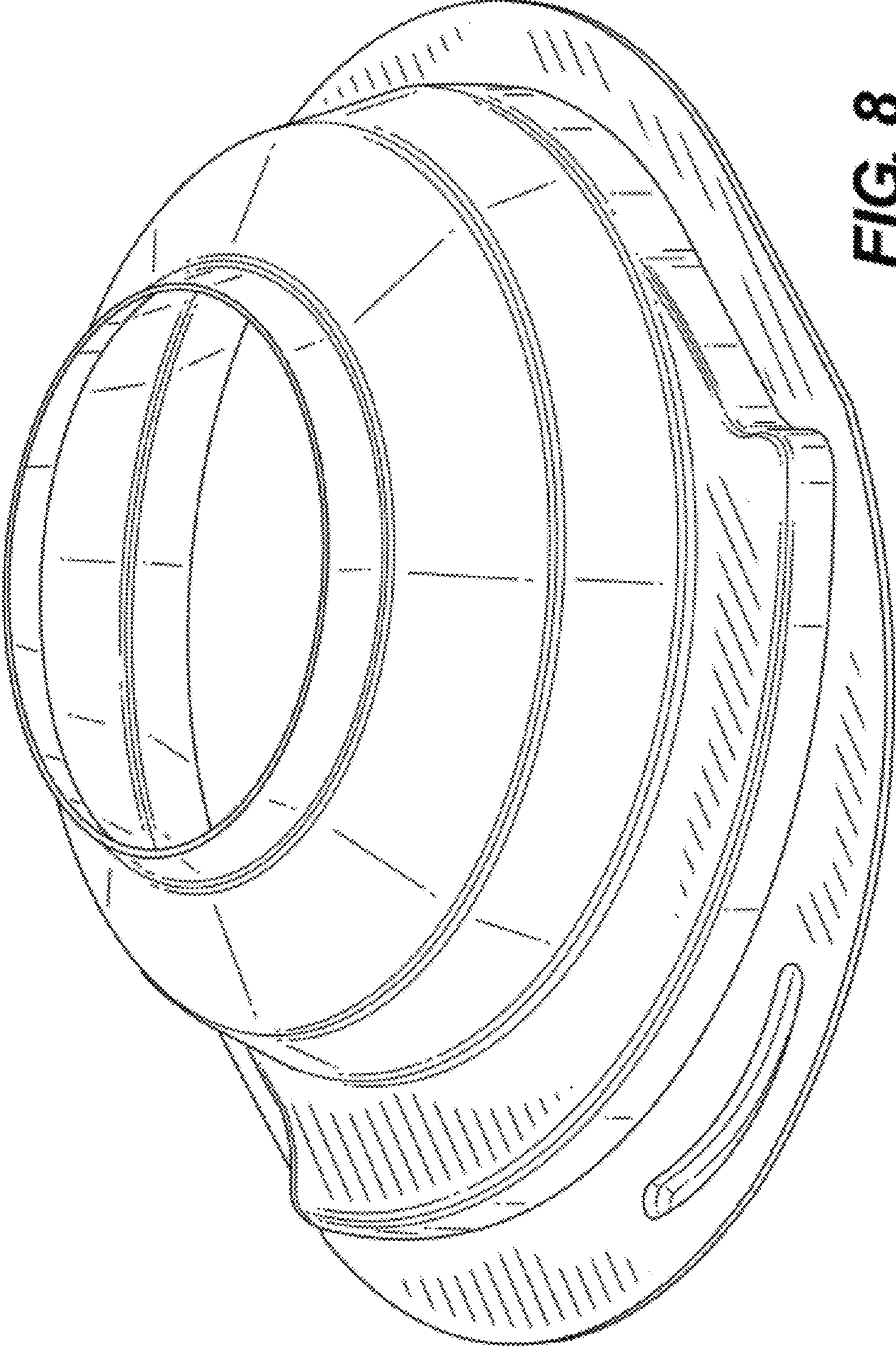


FIG. 8