



US00D670537S

(12) **United States Design Patent**
Rudisill

(10) **Patent No.:** **US D670,537 S**

(45) **Date of Patent:** **** Nov. 13, 2012**

(54) **SPORTS MASCOT DECORATIVE CUP LID**

(76) **Inventor:** **Lawrence Edwin Rudisill, Greer, SC (US)**

(**) **Term:** **14 Years**

(21) **Appl. No.:** **29/397,556**

(22) **Filed:** **Jul. 18, 2011**

(51) **LOC (9) Cl.** **07-02**

(52) **U.S. Cl.** **D7/392.1**

(58) **Field of Classification Search** D7/300, D7/300.2, 391, 392, 392.1, 396.1, 397, 398, D7/507, 509, 510, 511, 514, 516; D9/434, D9/435, 436, 440–442, 443, 447, 450–452, D9/454, 520, 668; D34/4; 222/553, 566, 222/568, 570; 215/200, 217, 222, 223, 229, 215/238, 243, 305, 316–323, 329

See application file for complete search history.

(56) **References Cited**

U.S. PATENT DOCUMENTS

2,546,122	A *	3/1951	Goldfarb	446/72
2,731,751	A *	1/1956	Green	446/28
D262,083	S *	12/1981	Adamo	D7/392.1
D332,202	S *	1/1993	Mosa	D7/392.1
D336,043	S *	6/1993	Provencio	D9/436
D339,955	S *	10/1993	Katz	D7/392.1
5,540,611	A *	7/1996	Lapoint et al.	446/72
D381,905	S *	8/1997	Chahed	D9/435
D420,253	S *	2/2000	Malusek	D7/392.1
D424,376	S *	5/2000	Malusek	D7/511
D429,948	S *	8/2000	Tate et al.	D7/392.1
D459,632	S *	7/2002	Kerman	D7/396.6
D468,967	S *	1/2003	Lipson	D7/507

(Continued)

Primary Examiner — Susan E Krakower

(74) *Attorney, Agent, or Firm* — Turner Padgett Graham & Laney, PA

(57) **CLAIM**

The ornamental design for a sports mascot decorative cup lid, as shown and described.

DESCRIPTION

FIG. 1 is a perspective view taken from the front and top of the sports mascot decorative cup lid in which broken lines indicate the relative position of an unclaimed cup, straw and straw cap;

FIG. 2 is a perspective view taken from the rear and top of the sports mascot decorative cup lid of FIG. 1, in which broken lines indicate the relative position of an unclaimed cup, straw and straw cap;

FIG. 3 is a front elevation view of the sports mascot decorative cup lid of FIG. 1 in which broken lines indicate the relative position of an unclaimed cup, straw and straw cap;

FIG. 4 is a rear elevation view of the sports mascot decorative cup lid of FIG. 1, in which broken lines indicate the relative position of an unclaimed cup, straw and straw cap;

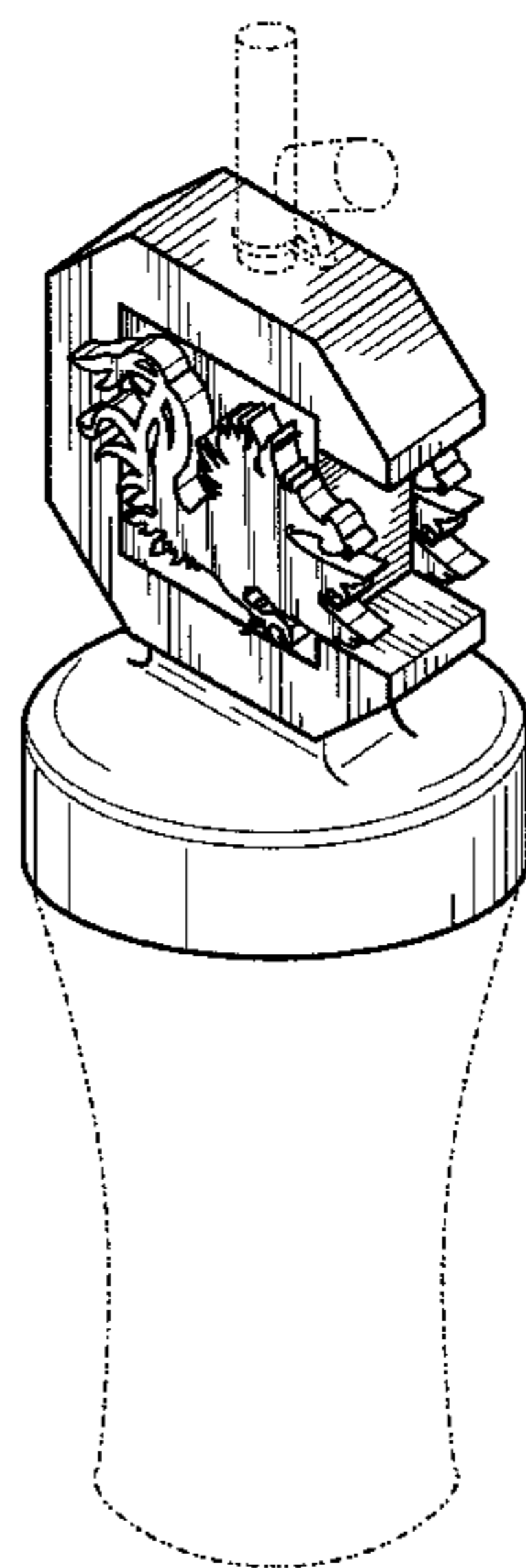
FIG. 5 is a side elevation view of the sports mascot decorative cup lid of FIG. 1, in which broken lines indicate the relative position of an unclaimed cup, straw and straw cap;

FIG. 6 is a side elevation view of the sports mascot decorative cup lid of FIG. 1, in which broken lines indicate the relative position of an unclaimed cup, straw and straw cap and the view is opposite of that depicted in FIG. 5; and,

FIG. 7 is a top plan view of the sports mascot decorative cup lid of FIG. 1, in which broken lines indicate the relative position of an unclaimed cup, straw and straw cap.

The ornamental design that is claimed is shown in solid lines in the drawings. The stylized “C” and gamecock image forming part of the claimed design is a registered trademark of the University of South Carolina. The broken lines showing a cup, straw and straw cap illustrate environmental structure which forms no part of the claimed design.

1 Claim, 7 Drawing Sheets



US D670,537 S

Page 2

U.S. PATENT DOCUMENTS

D471,060 S *	3/2003	Salsman	D7/392.1	D513,988 S *	1/2006	Malik	D9/451
D474,938 S *	5/2003	Malik	D7/392.1	D591,109 S *	4/2009	Thompson	D7/515
D475,295 S *	6/2003	Love	D9/451	D629,648 S *	12/2010	McDonald	D7/398
D496,209 S *	9/2004	Killips	D7/300.2	D666,455 S *	9/2012	Levin	D7/392.1

* cited by examiner

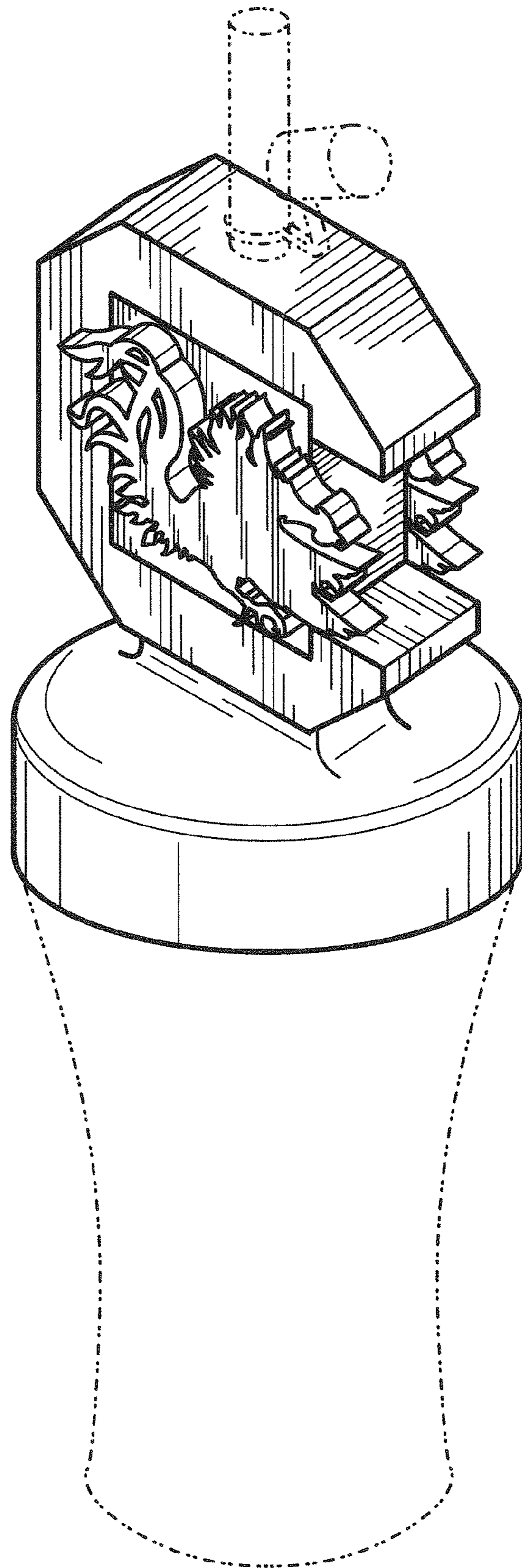


Fig. 1

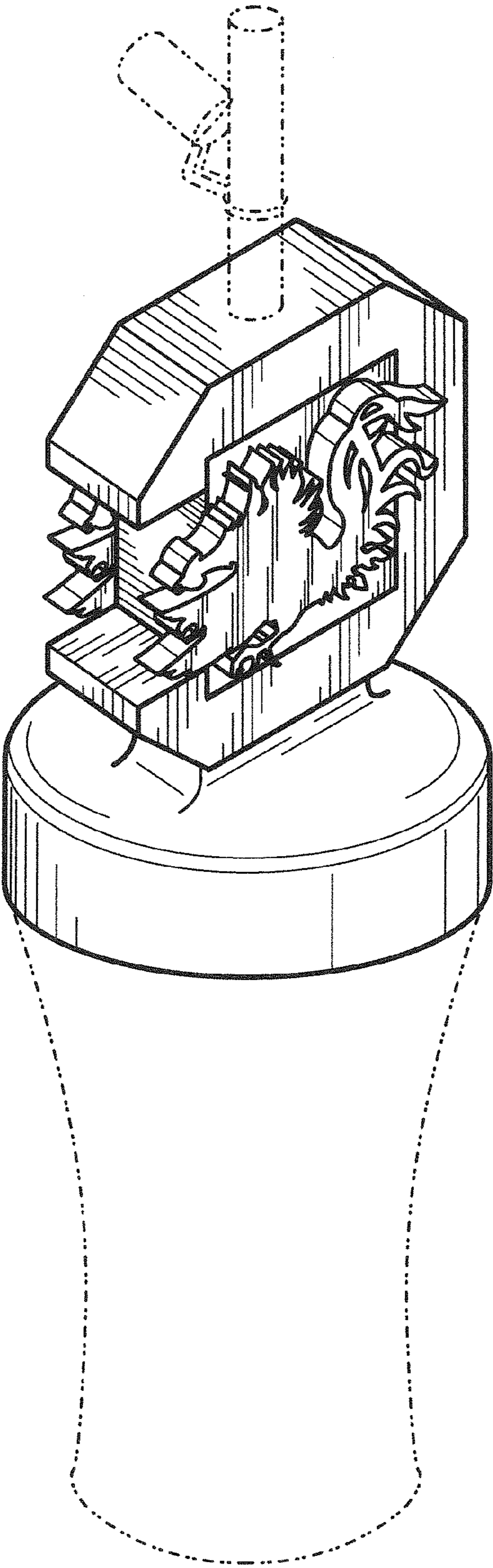


Fig. 2

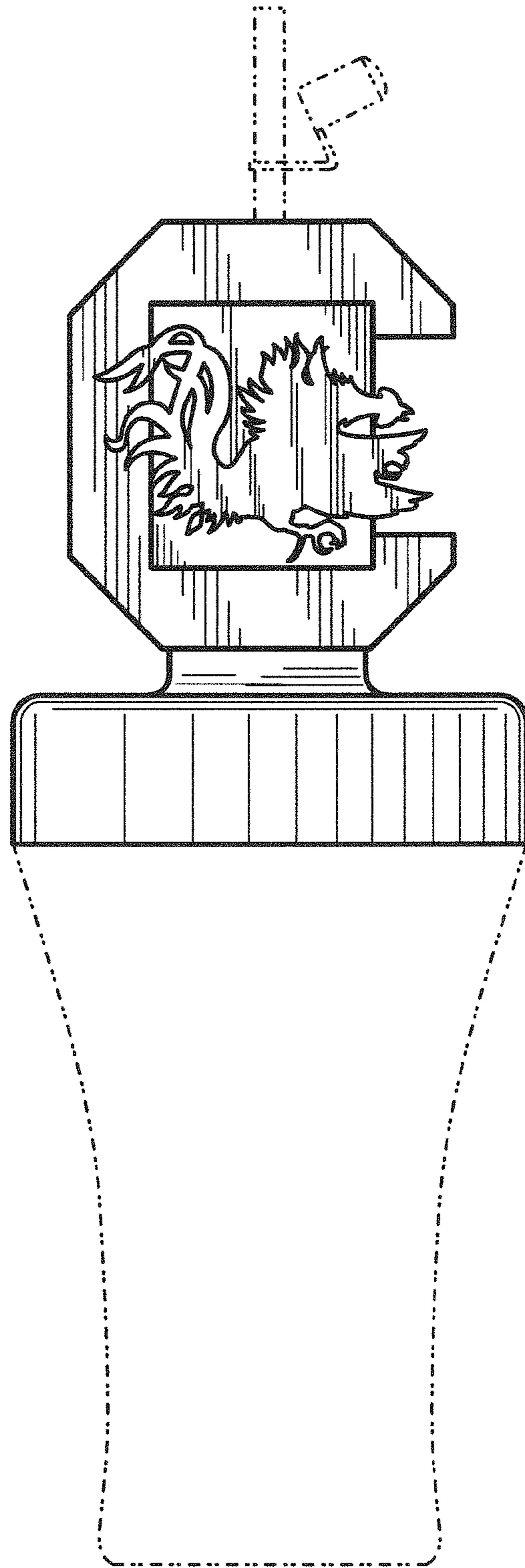


Fig. 3

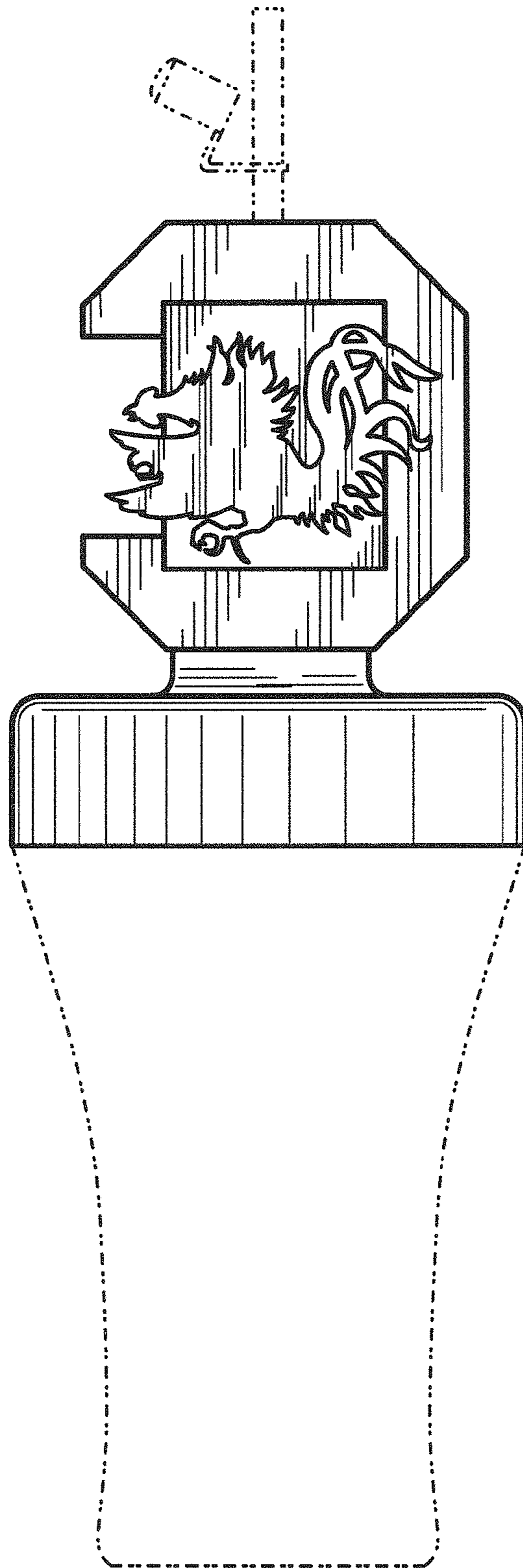


Fig. 4

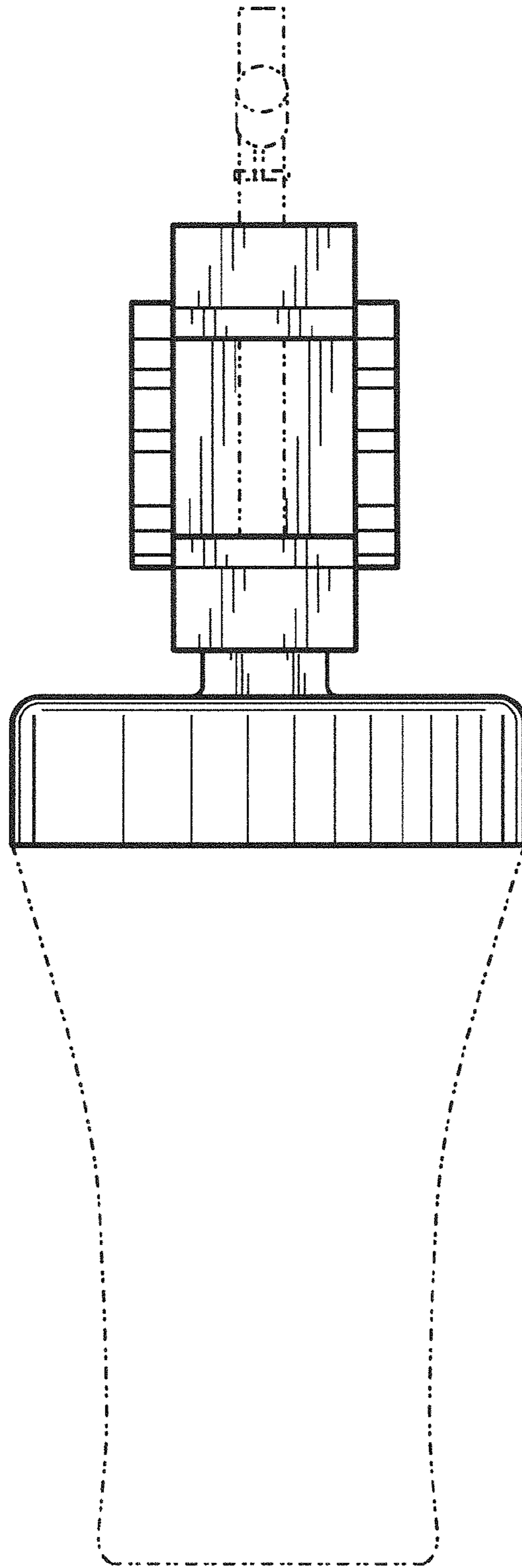


Fig. 5

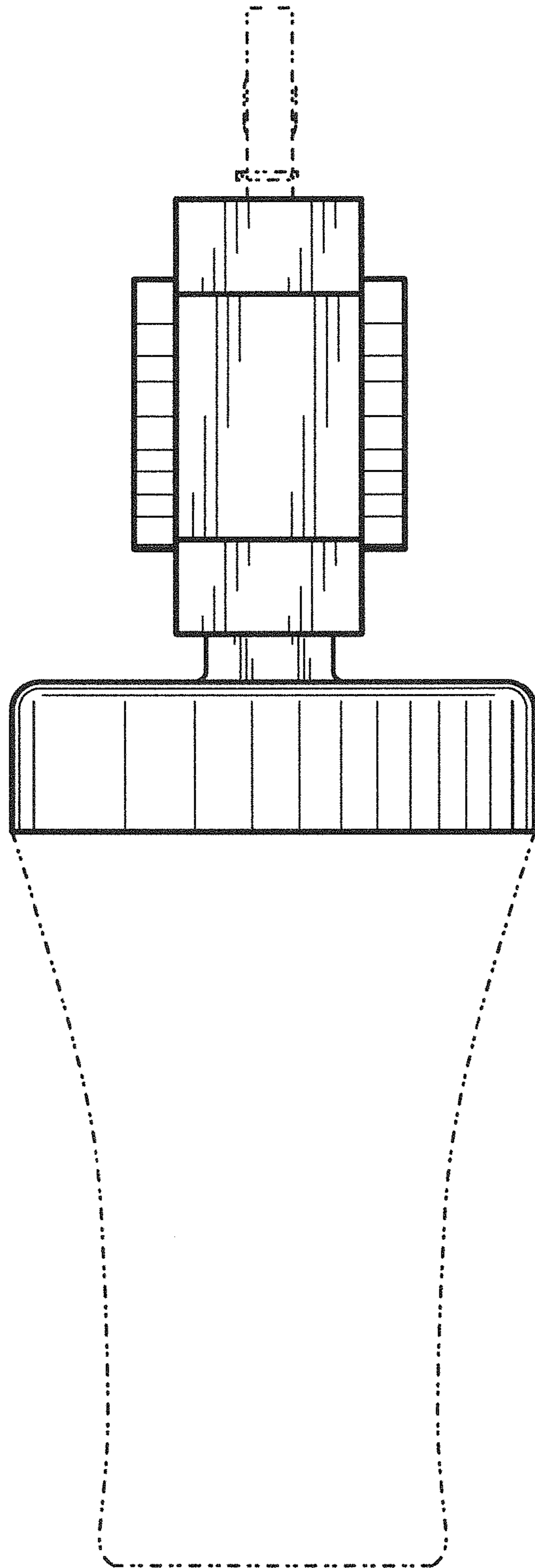


Fig. 6

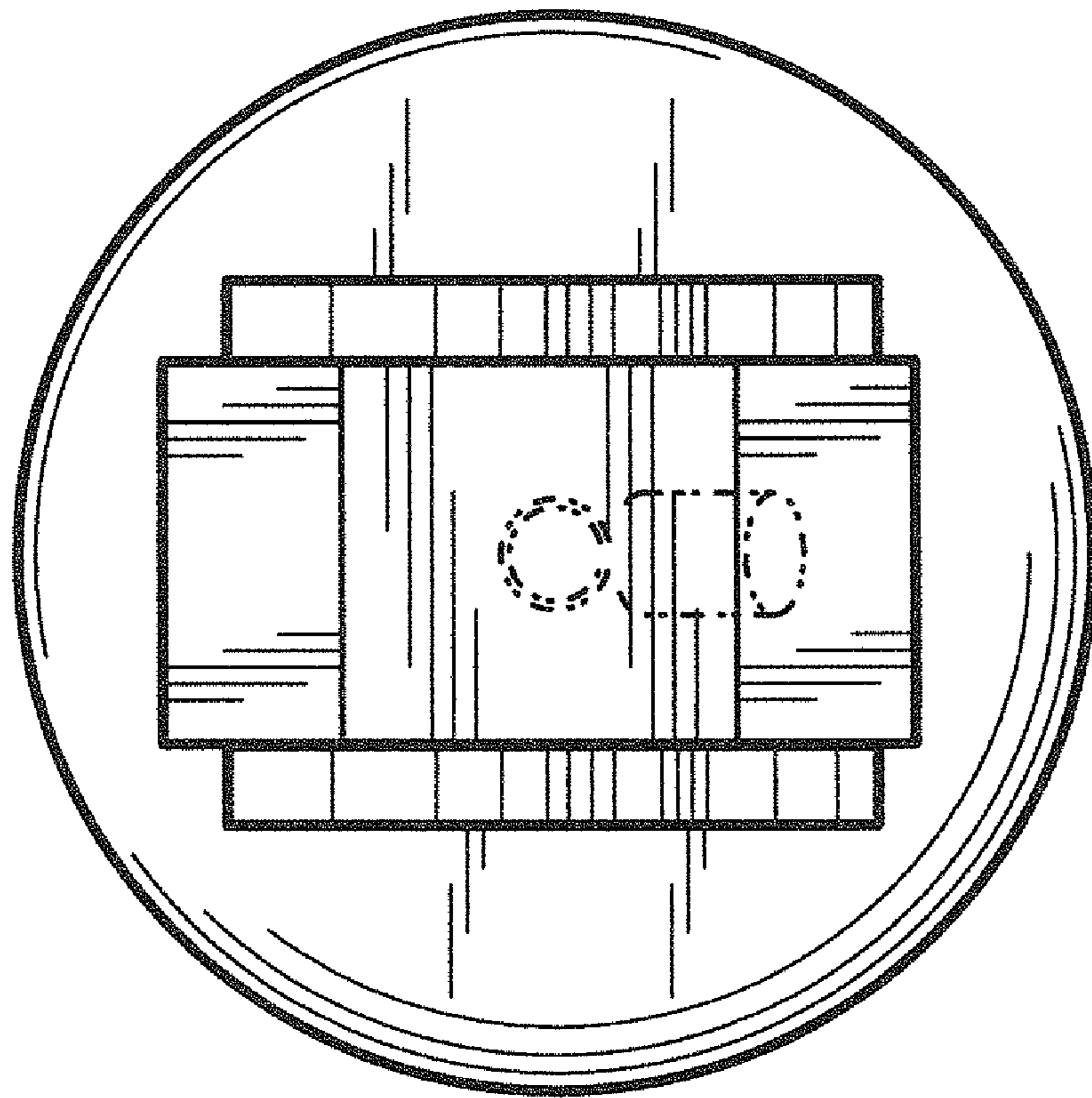


Fig. 7