



US00D670532S

(12) **United States Design Patent**
Boozer et al.

(10) **Patent No.:** **US D670,532 S**

(45) **Date of Patent:** **** Nov. 13, 2012**

(54) **BLENDER BASE**

(56) **References Cited**

(75) Inventors: **Richard D Boozer**, Wakeman, OH (US);
Tyrone Manhoff, North Olmsted, OH
(US); **Fred H Mehlman**, Brunswick,
OH (US); **Steffen F. Koury**, Everett, MA
(US); **Paul K. Metaxatos**, Swampscott,
MA (US)

(73) Assignee: **Vita-Mix Corporation**, Olmsted
Township, OH (US)

(**) Term: **14 Years**

(21) Appl. No.: **29/422,526**

(22) Filed: **May 22, 2012**

Related U.S. Application Data

(62) Division of application No. 29/408,020, filed on Dec.
6, 2011, now Pat. No. Des. 660,642.

(51) **LOC (9) Cl.** **31-00**

(52) **U.S. Cl.** **D7/386; D7/376; D7/378; D7/412**

(58) **Field of Classification Search** D7/301–313,
D7/316–319, 368, 372–386, 391, 412–415,
D7/515, 665, 679; 99/326, 348, 508–511;
241/30–37.5, 101.01–101.2, 166–169.1,
241/172, 285.1–285.3, 291, 292.1; 366/64–67,
366/98, 129, 142, 197–211, 241–254, 262,
366/279–292, 325.8, 325.92, 341–347; 416/75–77,
416/70 R, 163

See application file for complete search history.

U.S. PATENT DOCUMENTS

D387,948	S	*	12/1997	Leverrier	D7/378
D417,581	S	*	12/1999	Barthelemy et al.	D7/378
D433,595	S	*	11/2000	Naft et al.	D7/386
D439,106	S	*	3/2001	Naft et al.	D7/386
D451,336	S	*	12/2001	Deros et al.	D7/386
D473,100	S	*	4/2003	Sakai et al.	D7/378
7,220,049	B2	*	5/2007	Lee	366/206
D611,760	S	*	3/2010	Ball	D7/378
D617,145	S	*	6/2010	Picozza et al.	D7/412
D647,357	S	*	10/2011	Audette et al.	D7/386
D654,305	S	*	2/2012	Gursel et al.	D7/386
D660,642	S	*	5/2012	Boozer et al.	D7/386
D660,643	S	*	5/2012	Boozer et al.	D7/386

* cited by examiner

Primary Examiner — Ricky Pham

(74) *Attorney, Agent, or Firm* — McDonald Hopkins LLC

(57) **CLAIM**

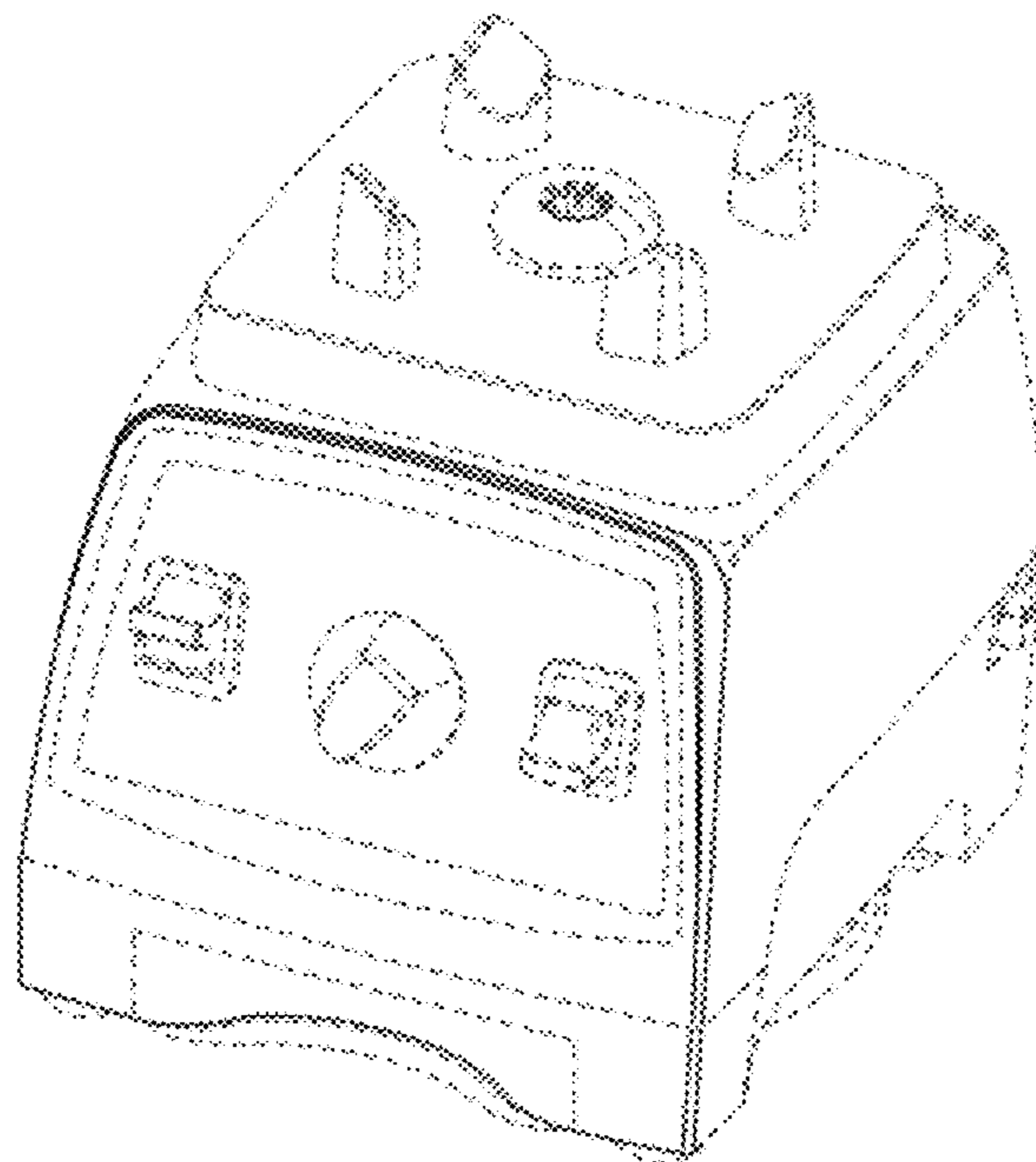
The ornamental design of a blender base, as shown and described.

DESCRIPTION

FIG. 1 is a perspective view showing our new design;
FIG. 2 is a front view thereof;
FIG. 3 is a rear view thereof;
FIG. 4 is a side view thereof;
FIG. 5 is a side view thereof;
FIG. 6 is a bottom view thereof; and,
FIG. 7 is a top view thereof.

The broken lines shown in the drawings are for illustrative purposes only and form no part of the claimed design.

1 Claim, 4 Drawing Sheets



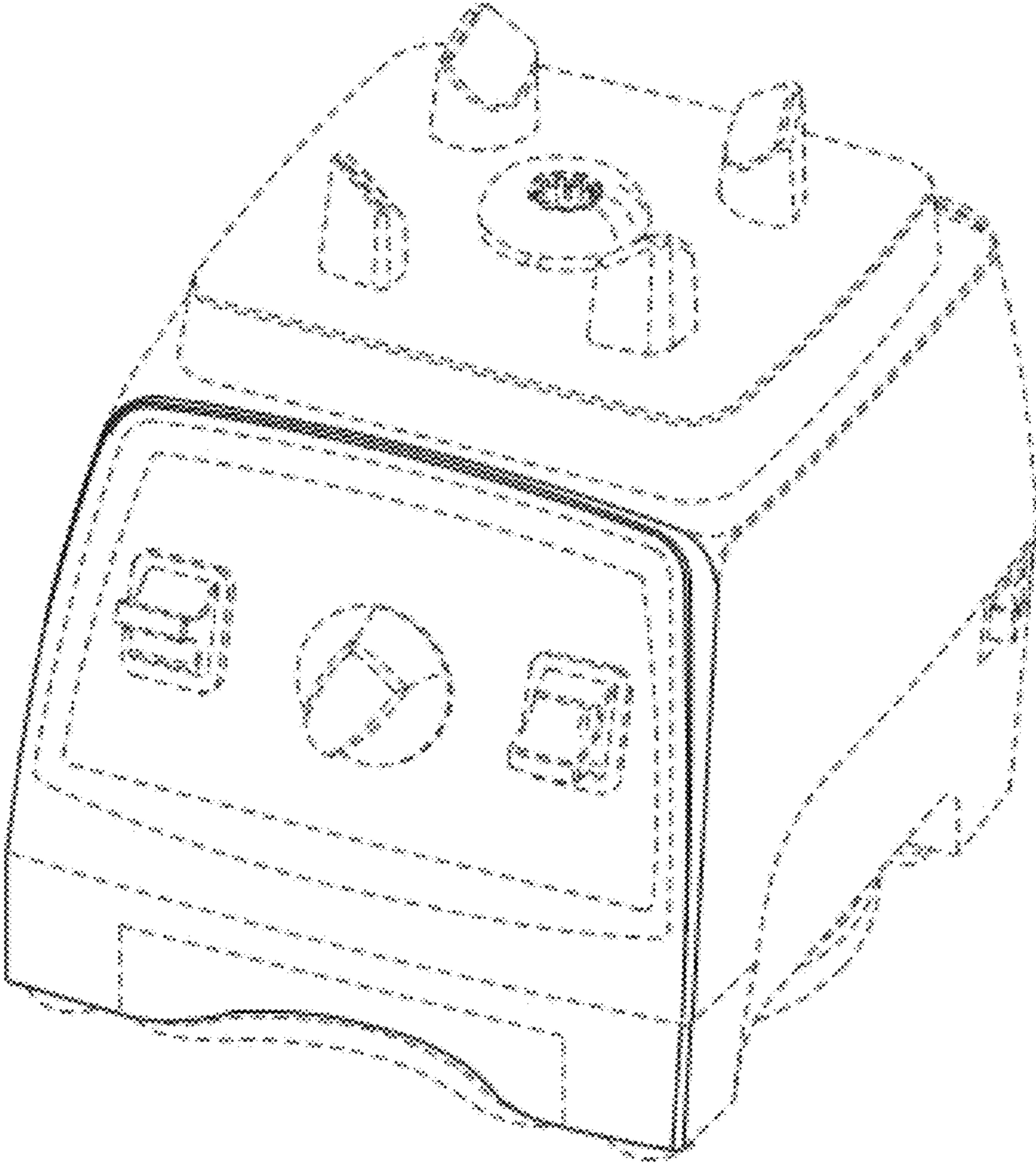


FIG. 1

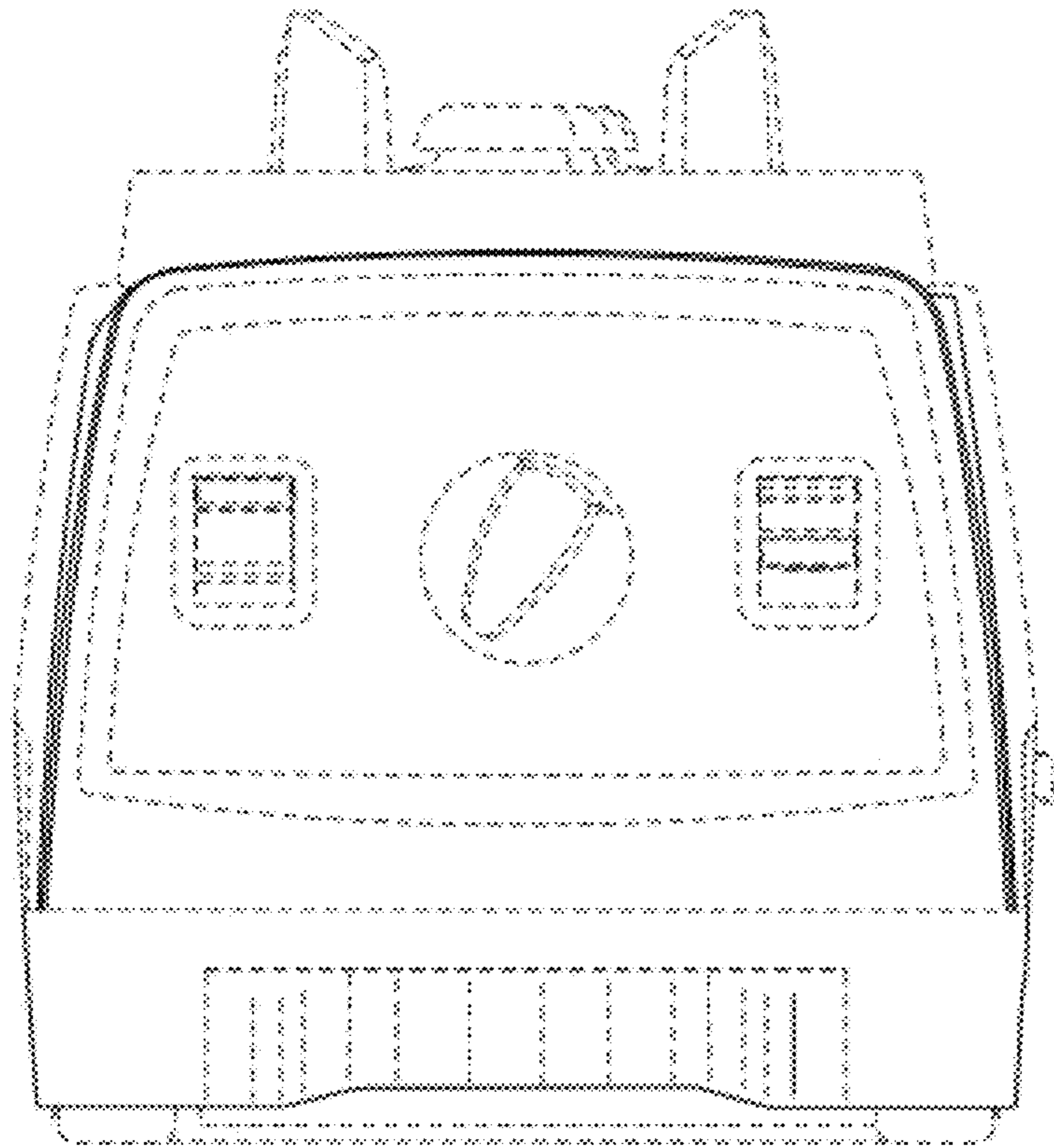


FIG. 2

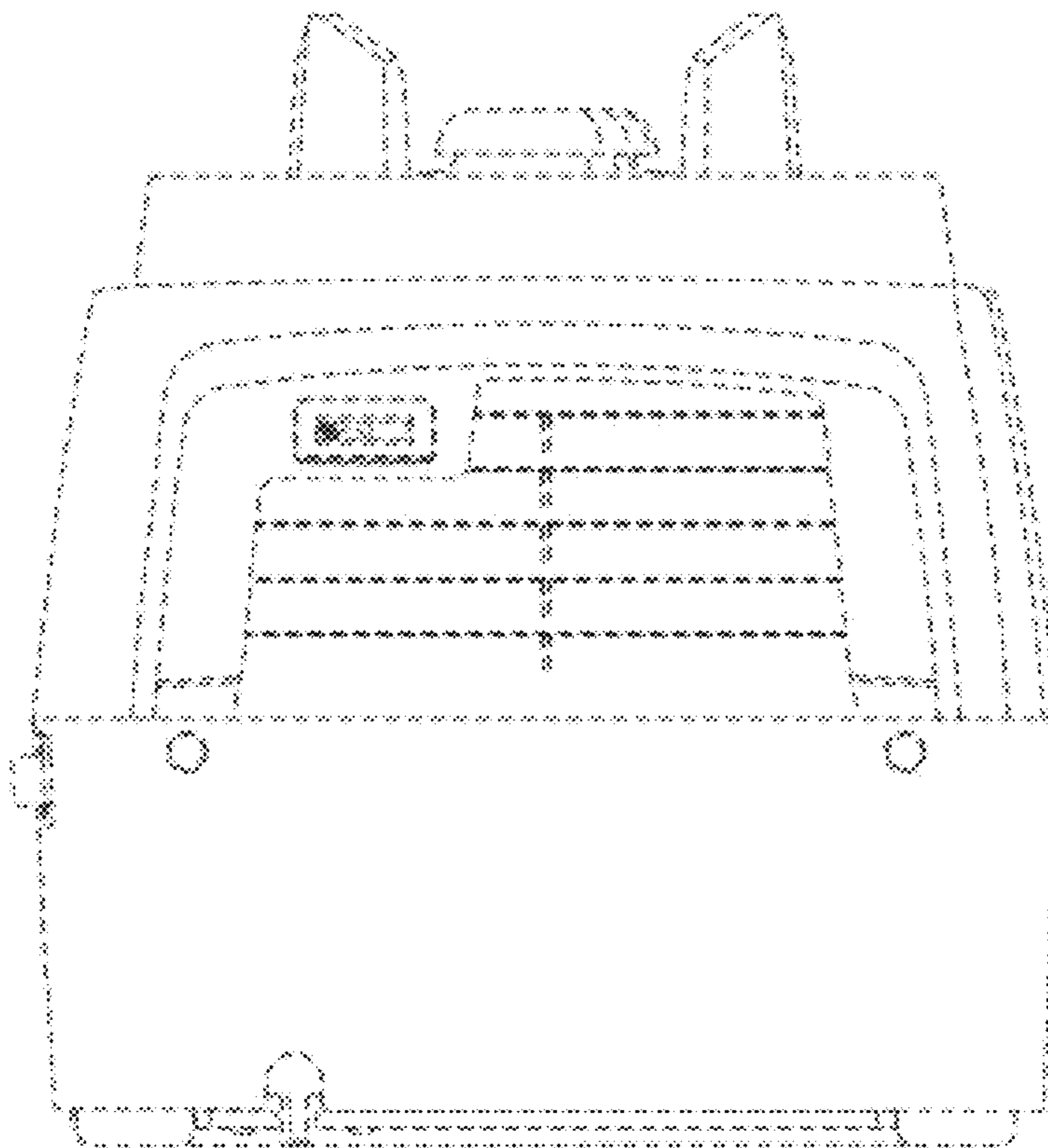


FIG. 3

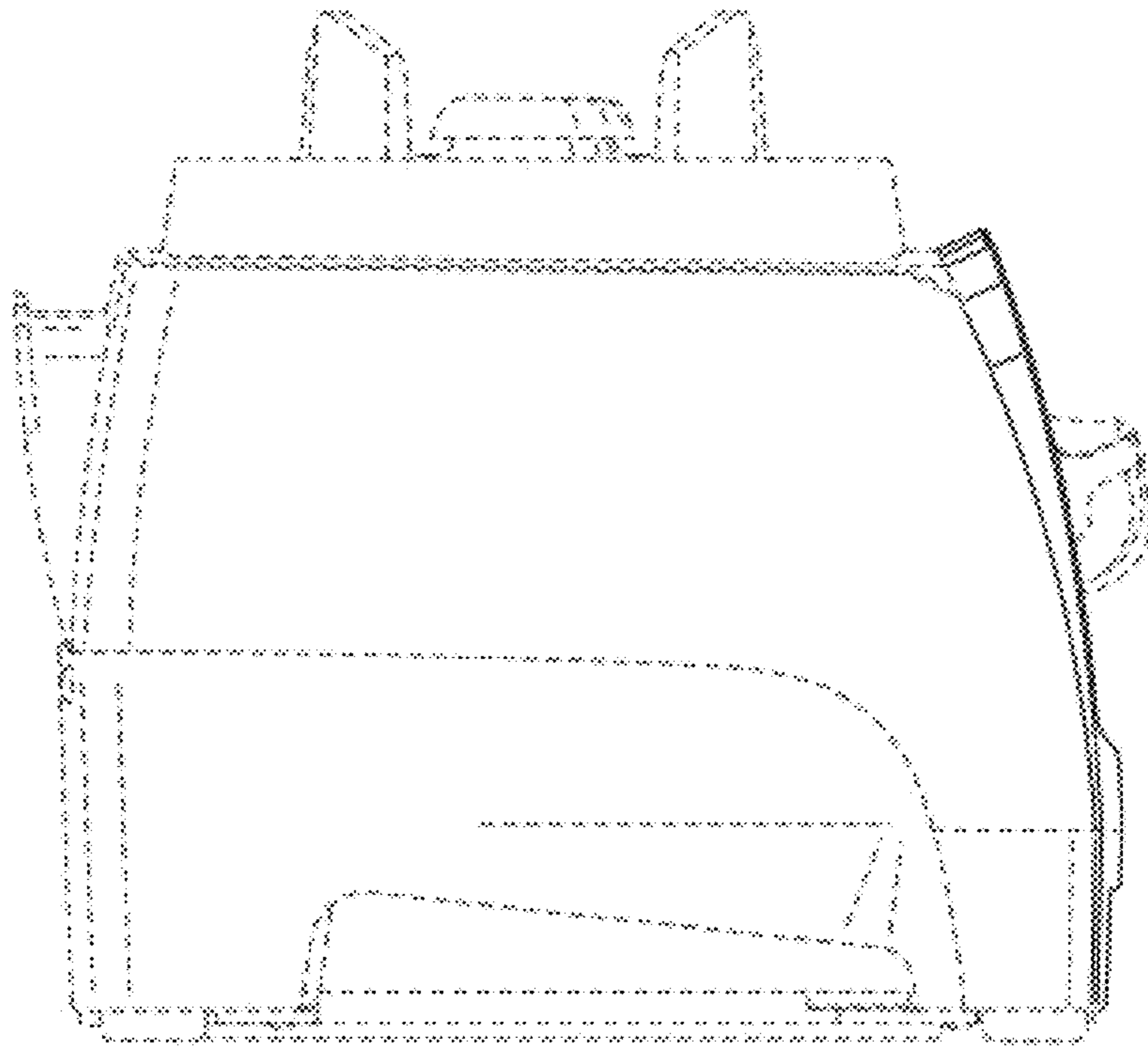


FIG. 4

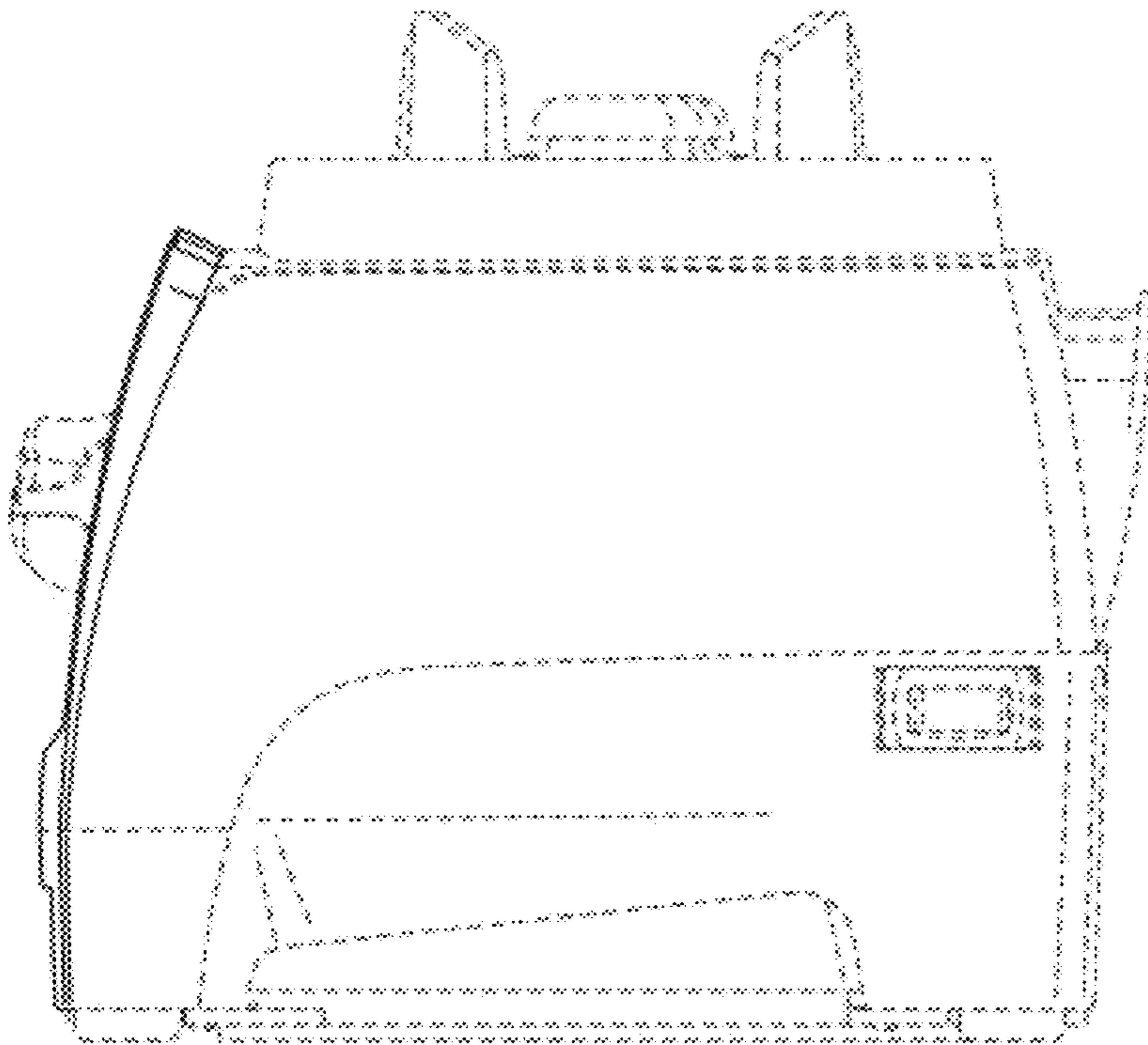


FIG. 5

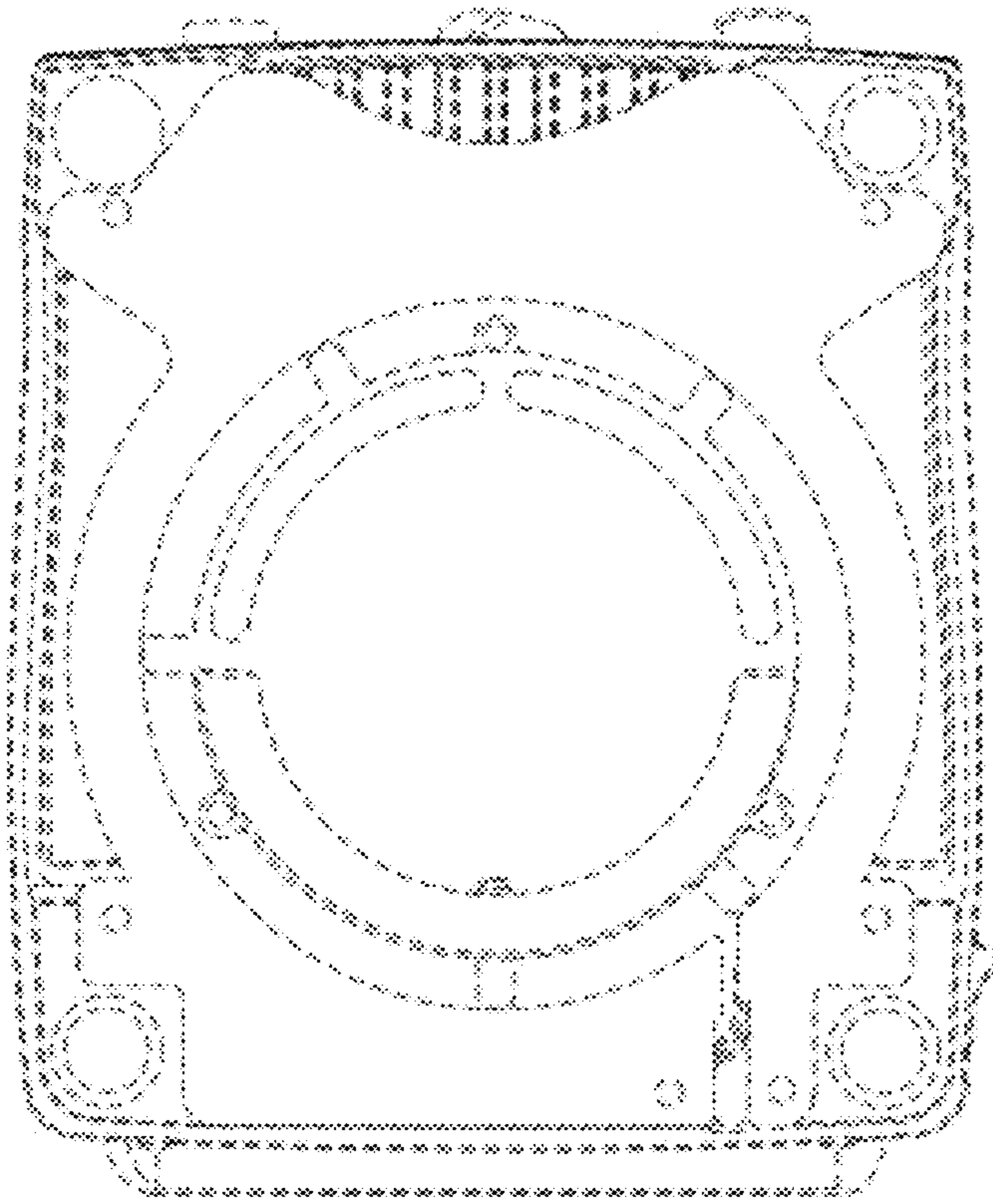


FIG. 6

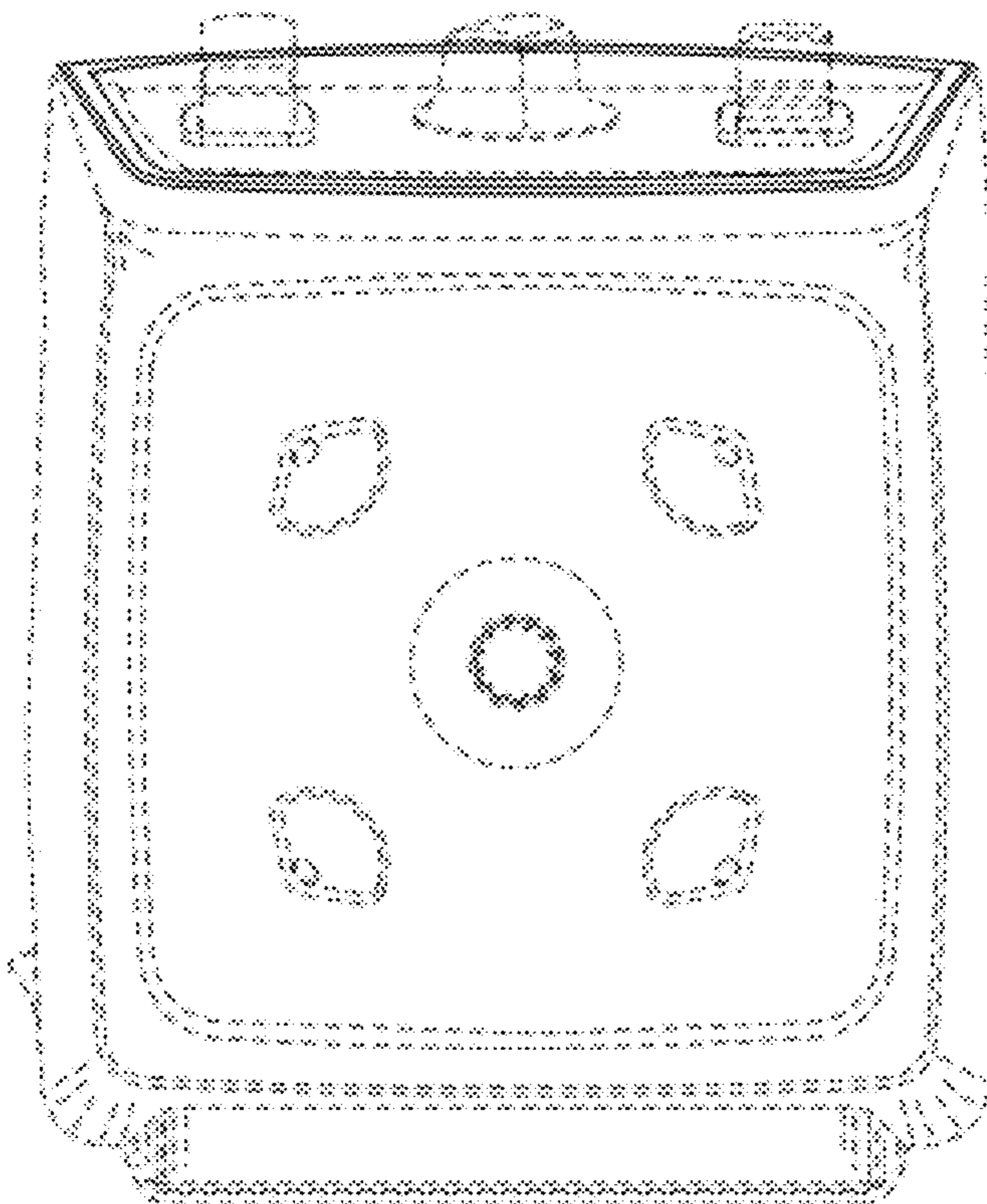


FIG. 7