



US00D670526S

(12) **United States Design Patent**
Street et al.

(10) **Patent No.:** **US D670,526 S**

(45) **Date of Patent:** **** Nov. 13, 2012**

(54) **JUG**

(75) Inventors: **Sarah Jane Street**, Auckland (NZ);
Kent Diggs, Auckland (NZ); **Michael Whittaker**, Auckland (NZ); **Paul Bernard Mitchell**, Auckland (NZ)

(73) Assignee: **Air New Zealand Limited**, Auckland (NZ)

(**) Term: **14 Years**

(21) Appl. No.: **29/378,919**

(22) Filed: **Nov. 11, 2010**

(30) **Foreign Application Priority Data**

May 11, 2010 (NZ) 413598
May 11, 2010 (NZ) 413599

(51) **LOC (9) Cl.** **07-01**

(52) **U.S. Cl.** **D7/319; D7/317**

(58) **Field of Classification Search** D7/316-318,
D7/312; 220/533, 912; 210/251, 660; D23/209
See application file for complete search history.

(56) **References Cited**

U.S. PATENT DOCUMENTS

D285,160 S * 8/1986 Osit D7/317
D389,007 S * 1/1998 Bouhuys D7/319
D396,378 S * 7/1998 Hensel D7/319
D427,478 S * 7/2000 Littmann et al. D7/318
D437,175 S * 2/2001 Brady D7/319

D545,111 S * 6/2007 Brown D7/317
D633,325 S * 3/2011 McArdle D7/319
D639,102 S * 6/2011 Harris et al. D7/319
8,128,820 B2 * 3/2012 Wu 210/251

* cited by examiner

Primary Examiner — Marianne Pandozzi

(74) *Attorney, Agent, or Firm* — Dann, Dorfman, Herrell and Skillman, P.C.

(57) **CLAIM**

The ornamental design for a jug, as shown and described.

DESCRIPTION

FIG. 1 is a top front perspective view of a first embodiment of a jug showing the design;

FIG. 2 is a top rear perspective view thereof;

FIG. 3 is a rear elevation view thereof;

FIG. 4 is a front elevation view thereof;

FIG. 5 is a left side elevation view thereof;

FIG. 6 is a right side elevation view thereof; and

FIG. 7 is a top plan view thereof.

FIG. 8 is a top front perspective view of a second embodiment of a jug showing the design;

FIG. 9 is a top rear perspective view thereof;

FIG. 10 is a rear elevation view thereof;

FIG. 11 is a front elevation view thereof;

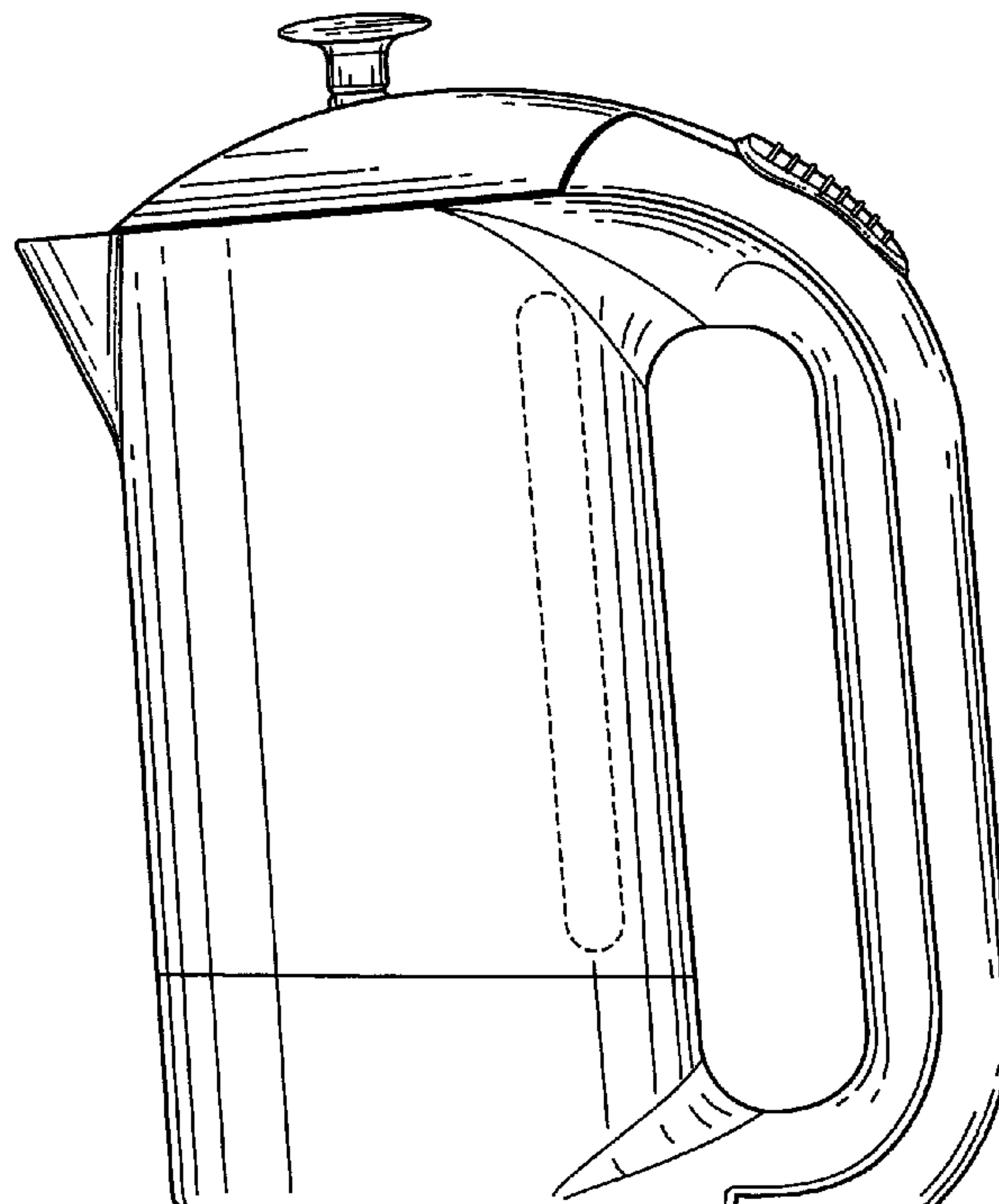
FIG. 12 is a left side elevation view thereof;

FIG. 13 is a right side elevation view thereof; and,

FIG. 14 is a top plan view thereof.

The broken lines in the drawings are included for the purpose of illustration and form no part of the claimed design.

1 Claim, 8 Drawing Sheets



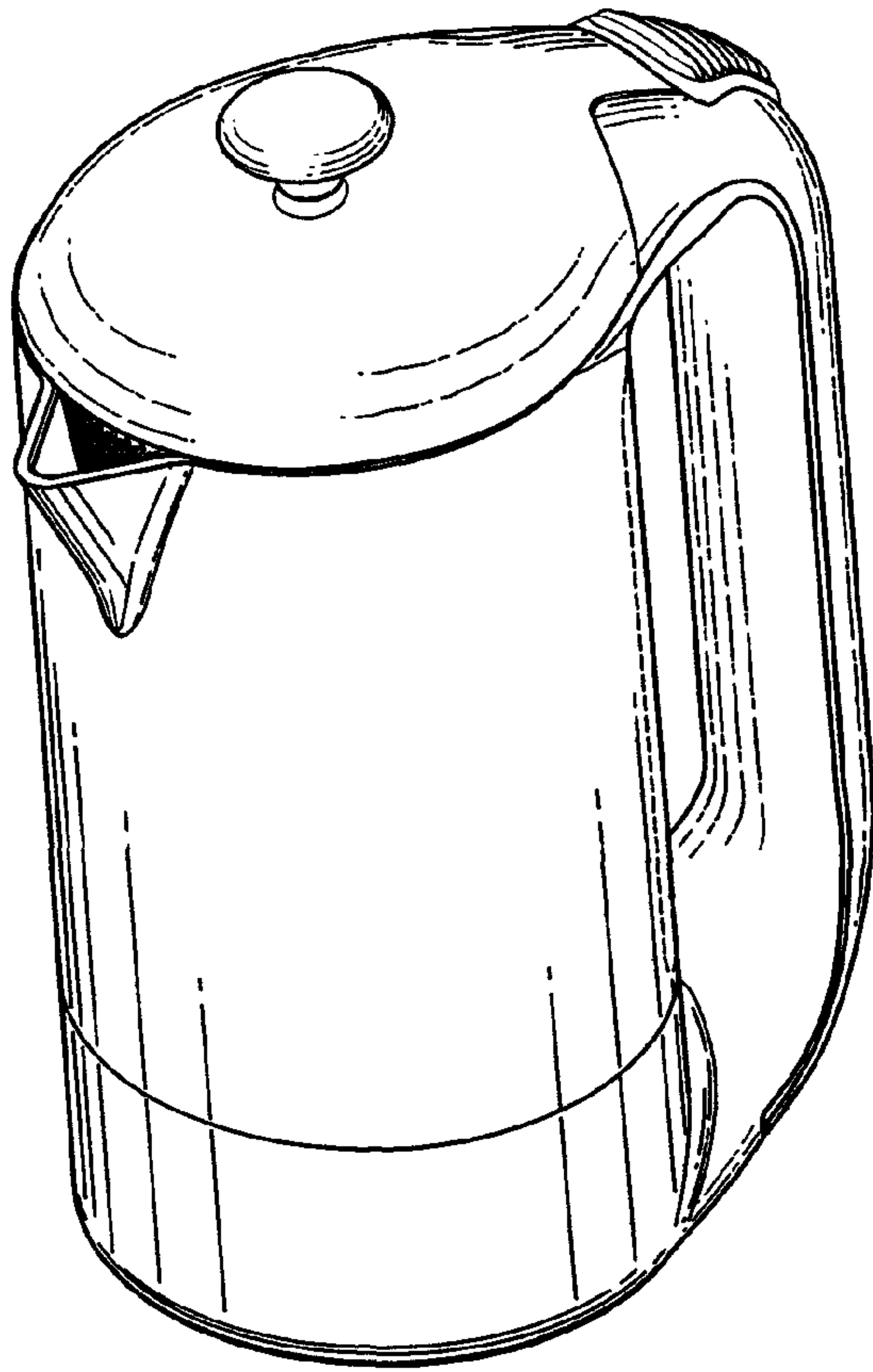


FIG. 1

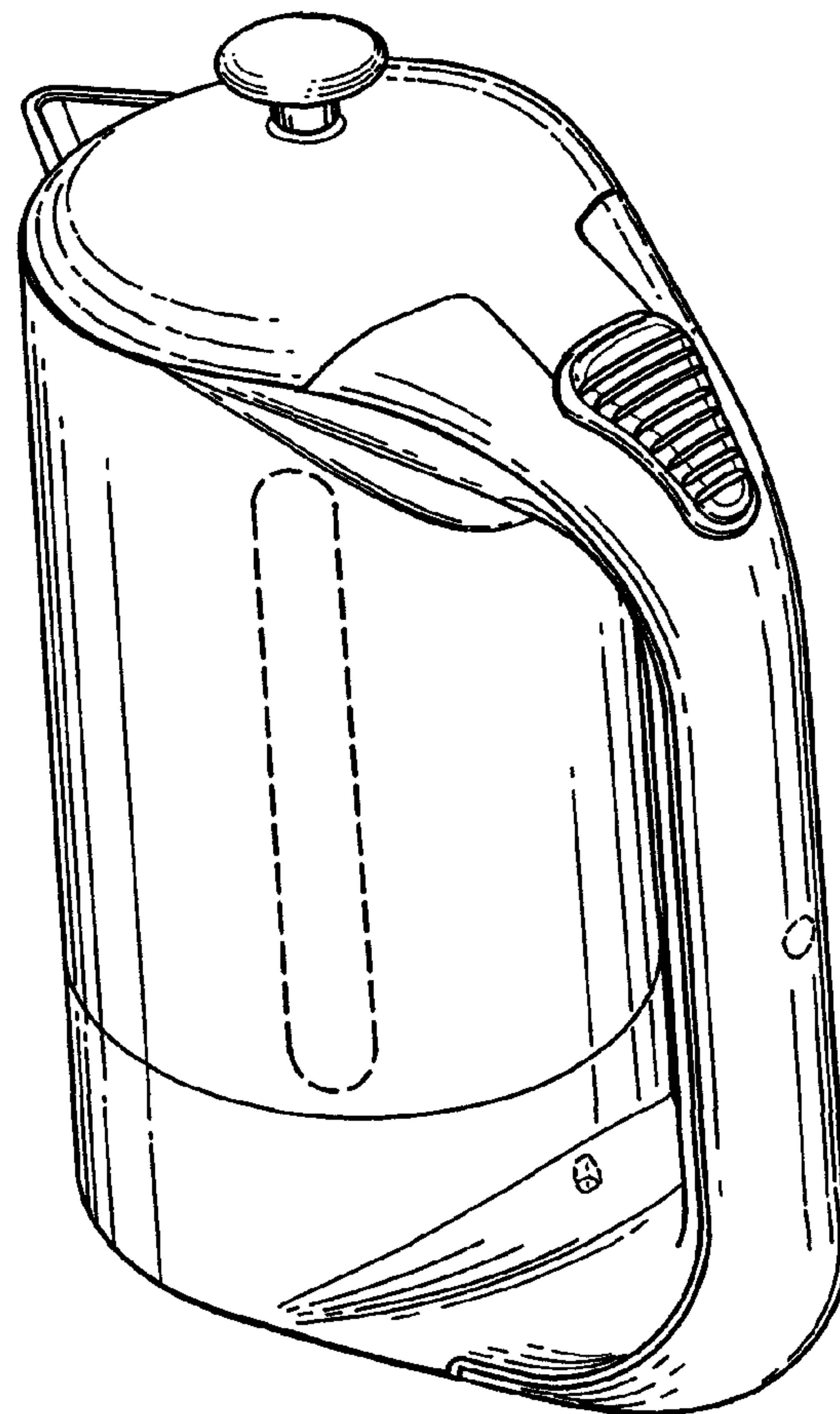


FIG. 2

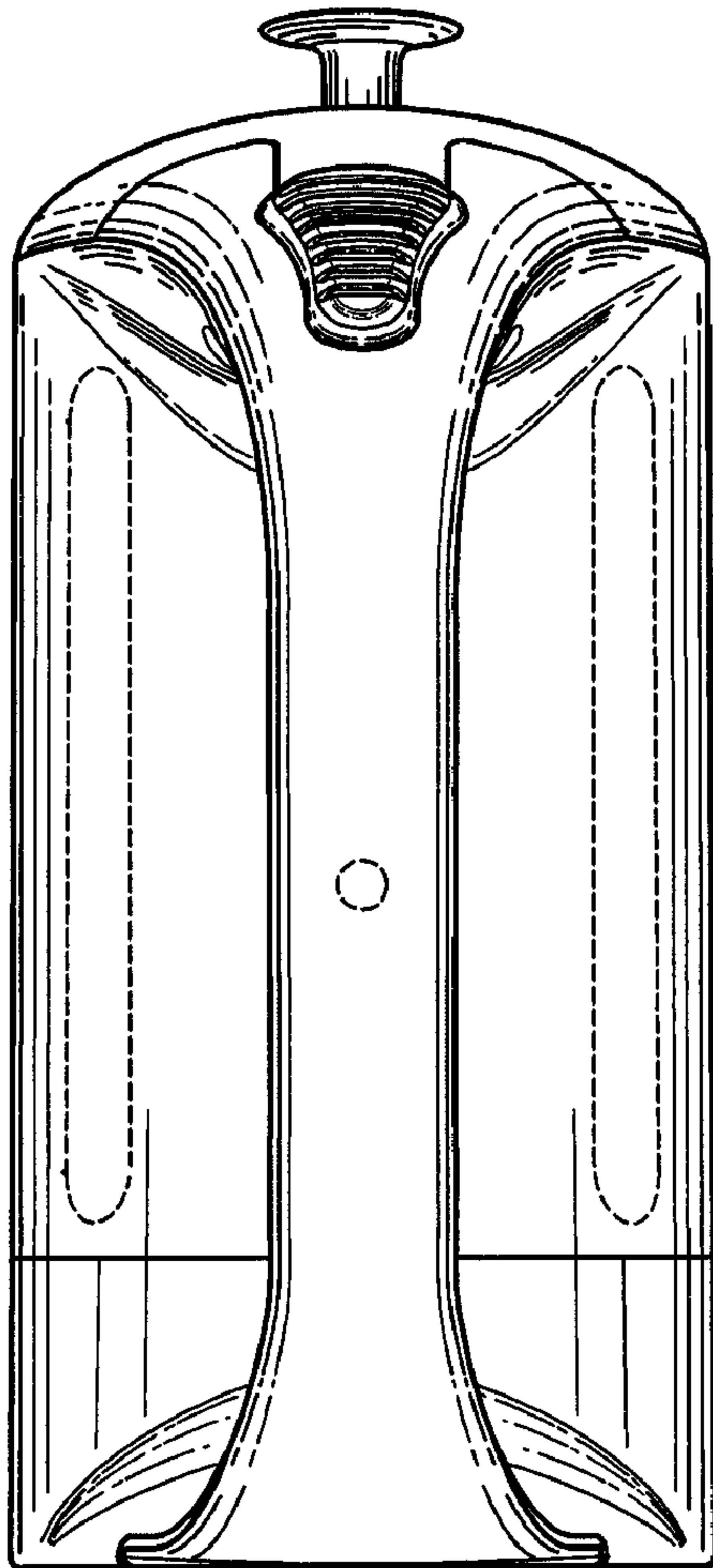


FIG. 3

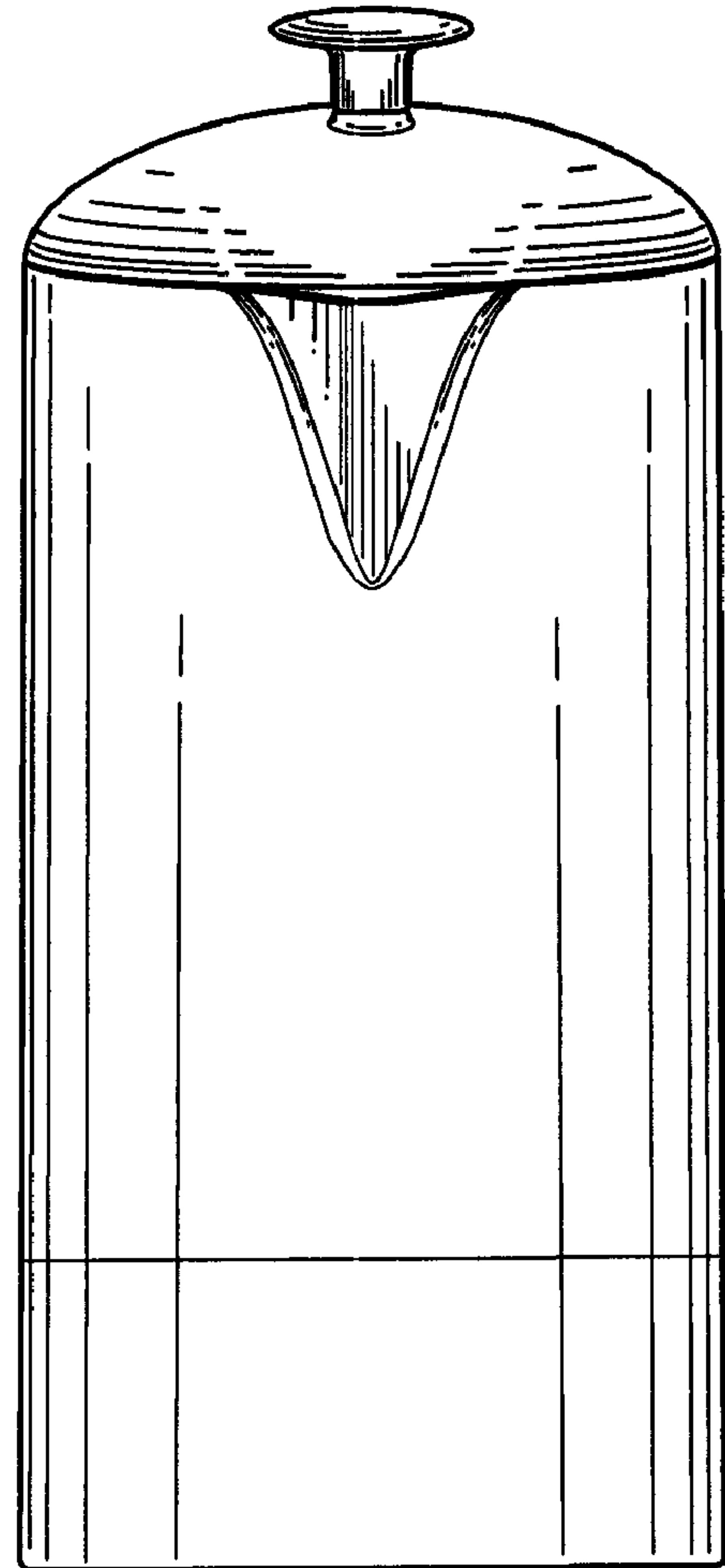


FIG. 4

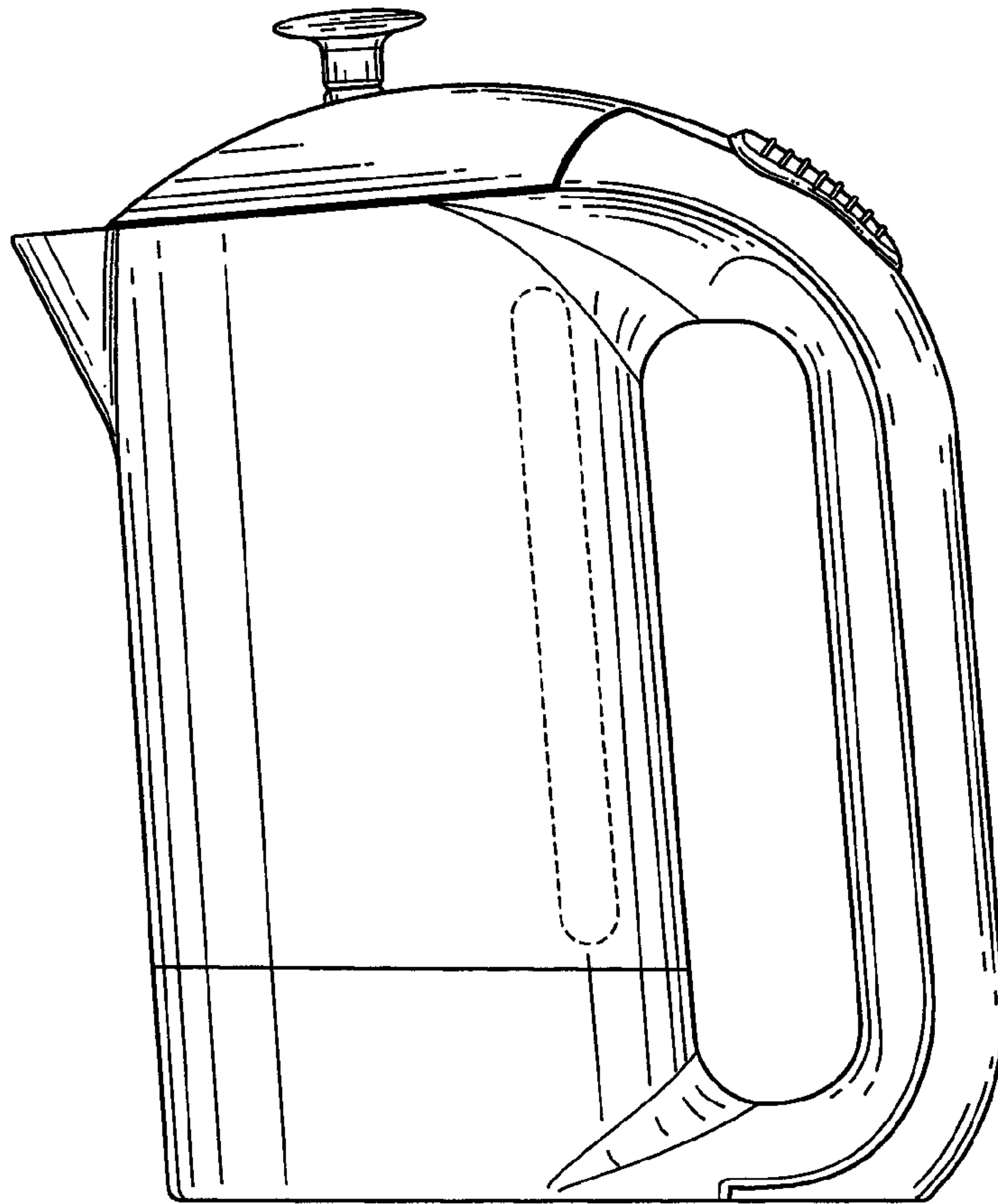


FIG. 5

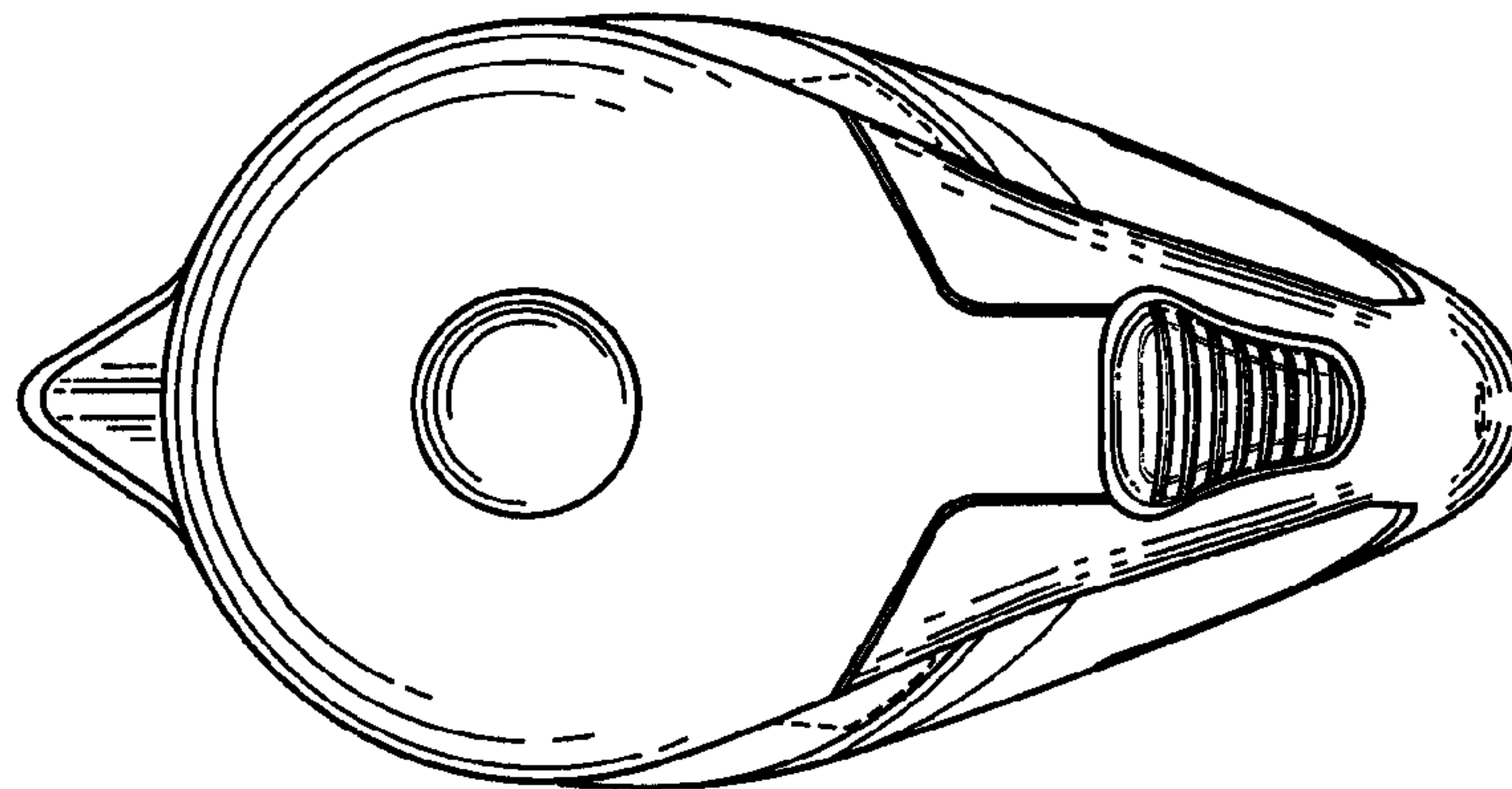


FIG. 7

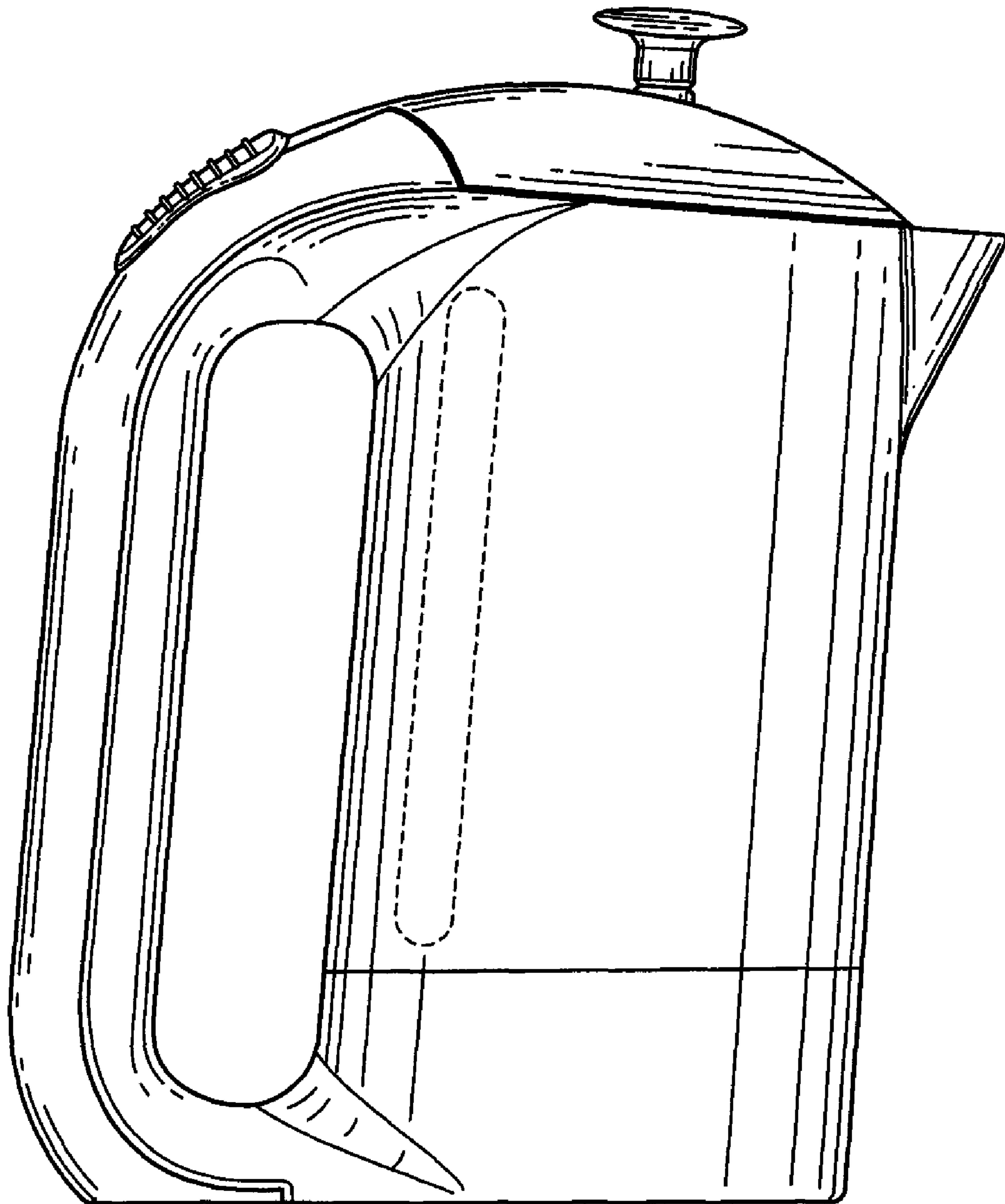


FIG. 6

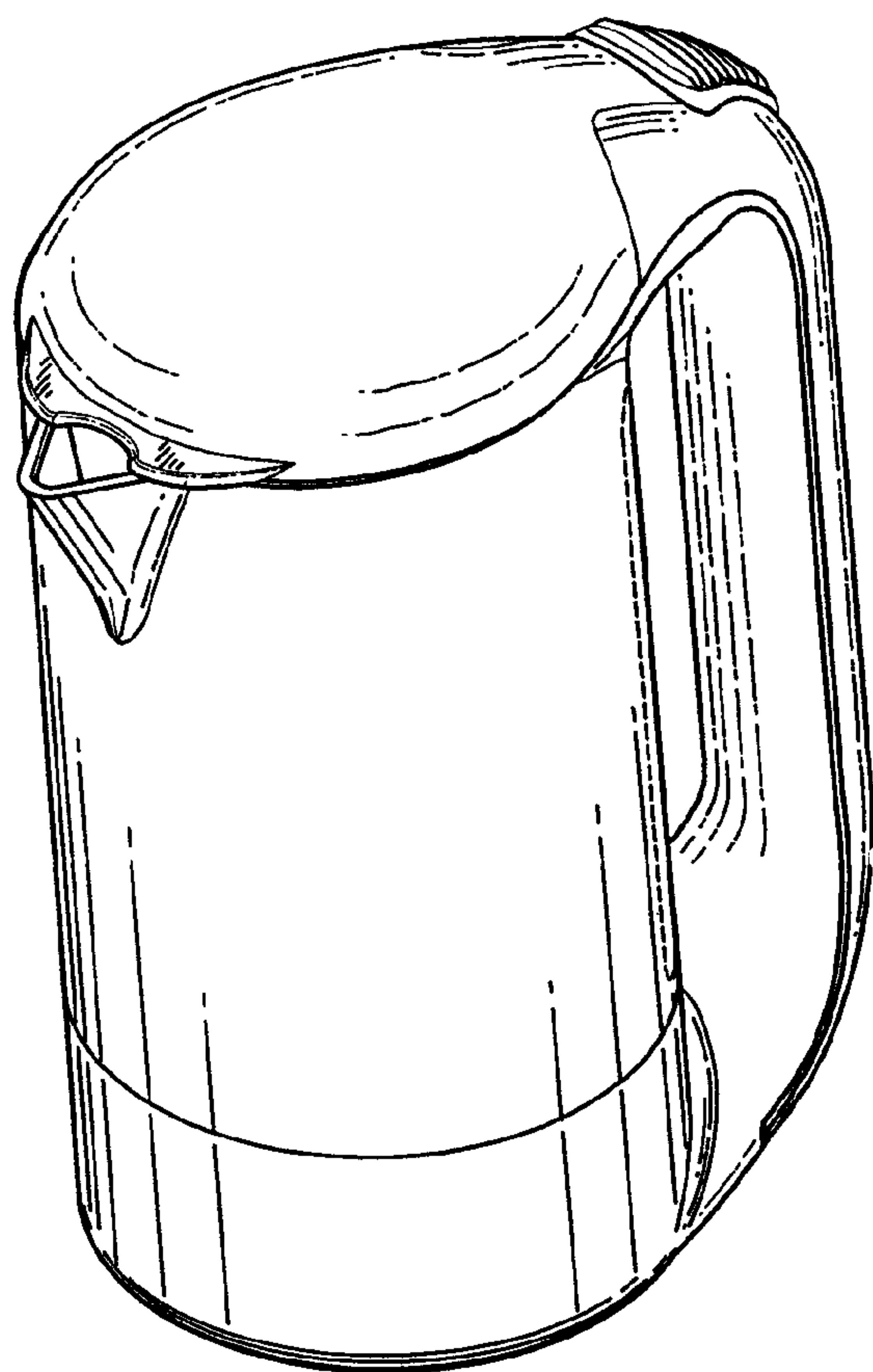


FIG. 8

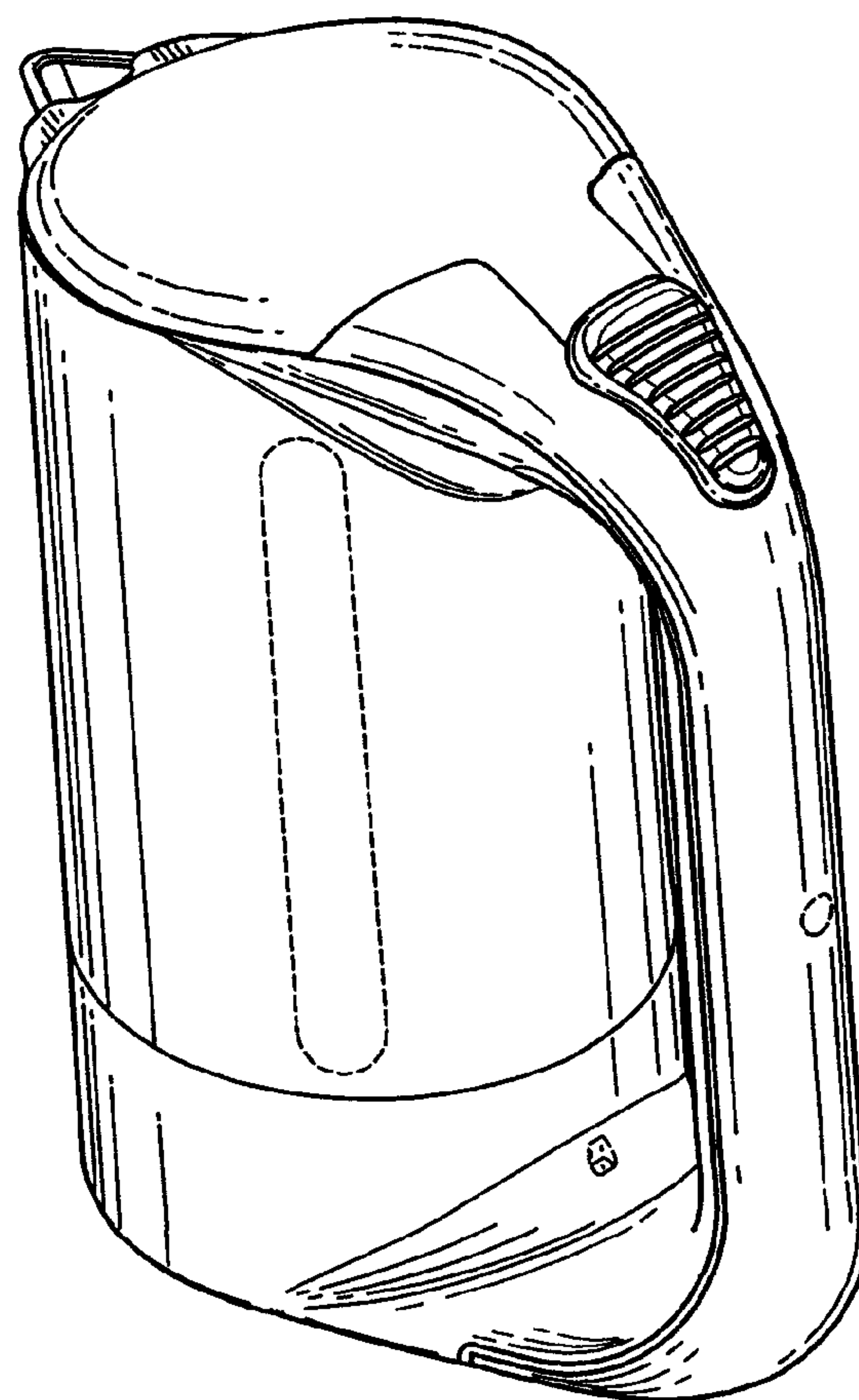


FIG. 9

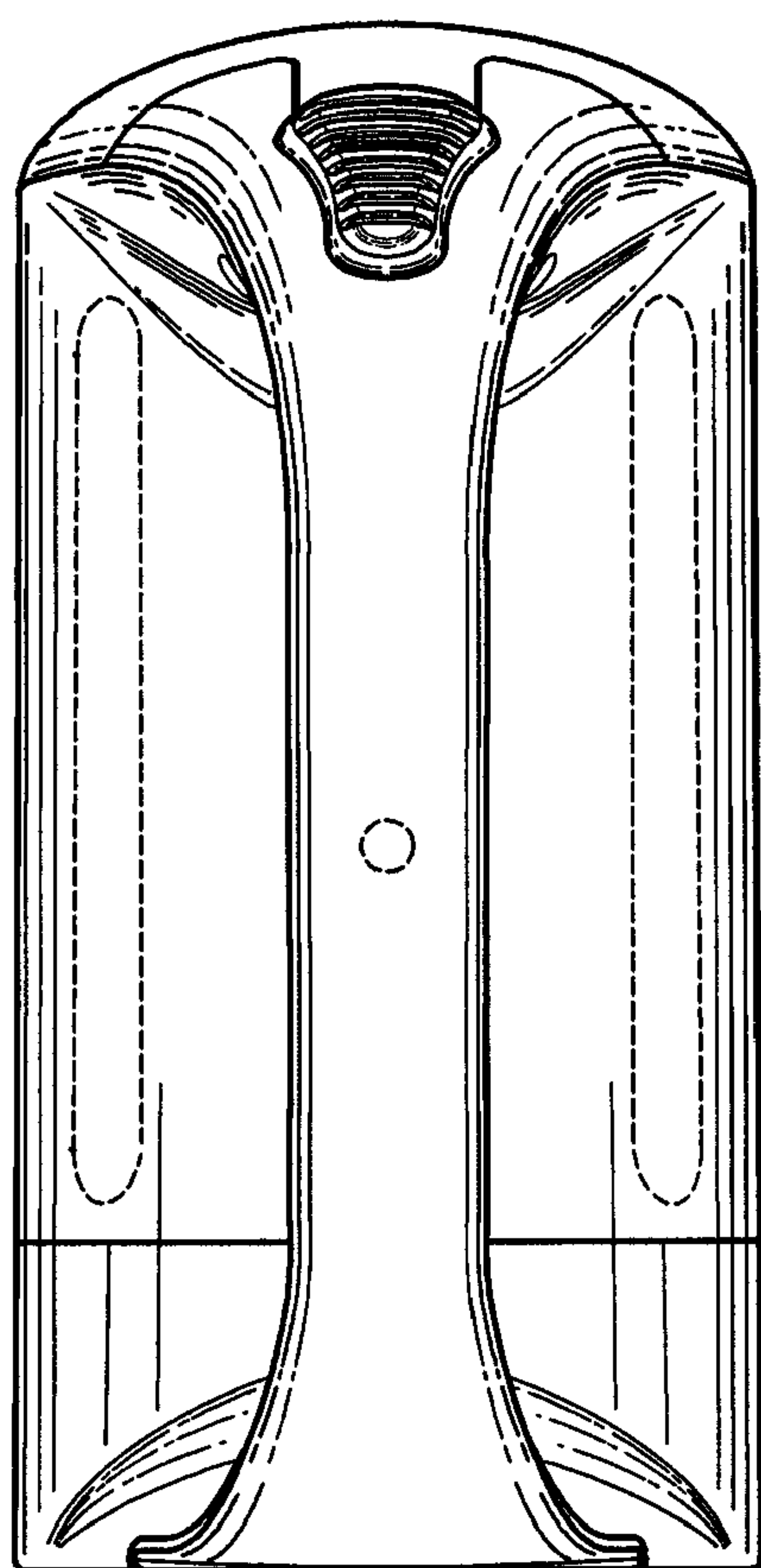


FIG. 10

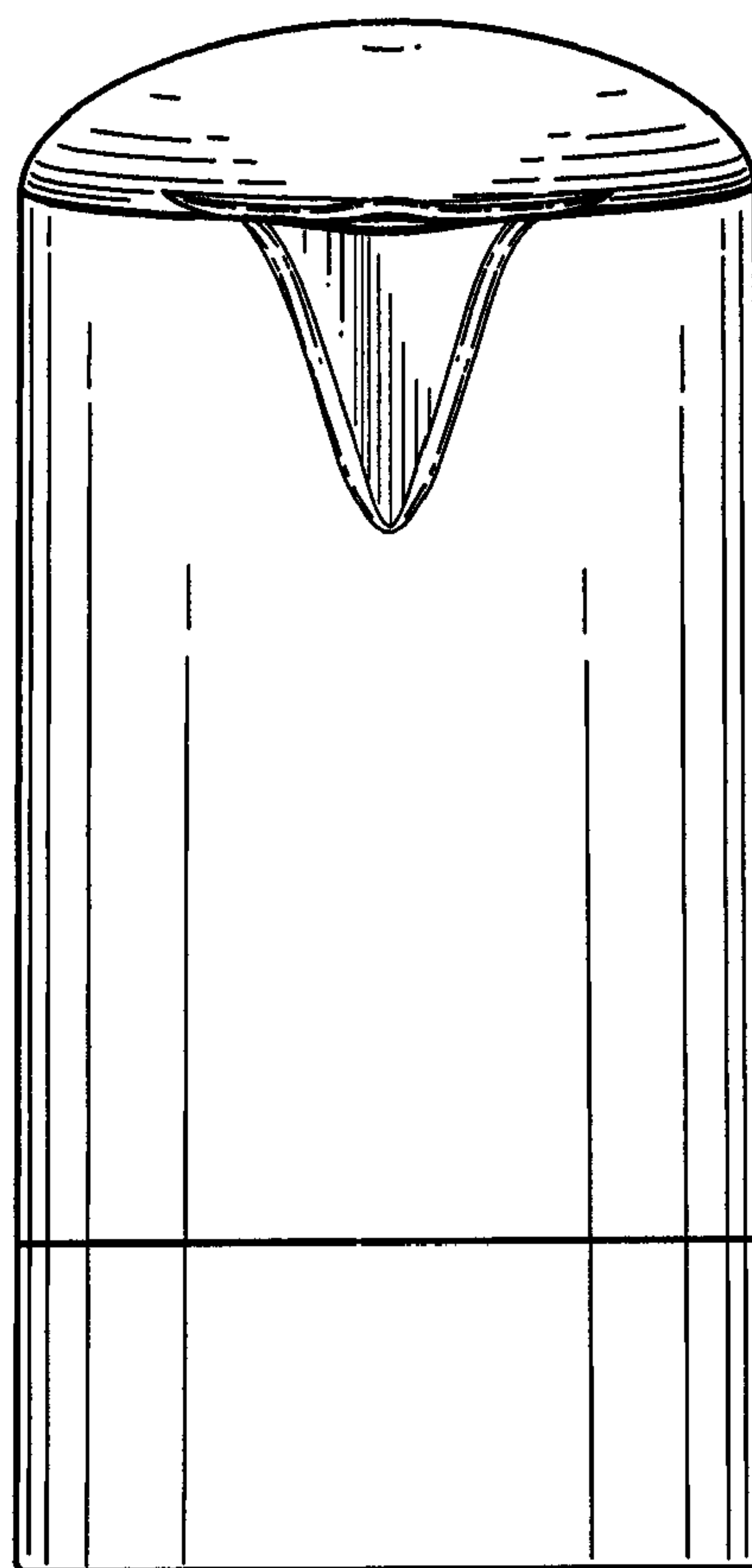


FIG. 11

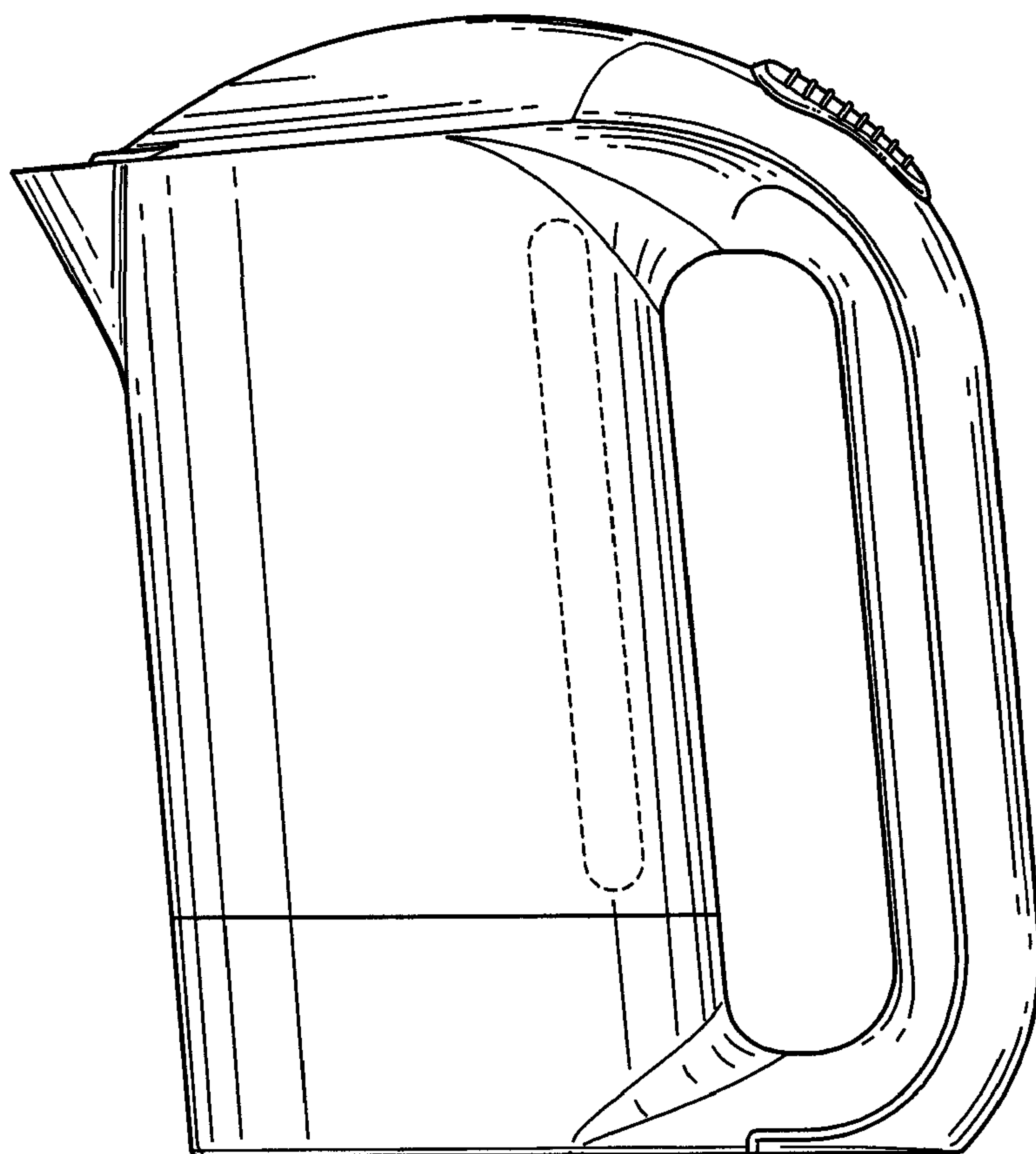


FIG. 12

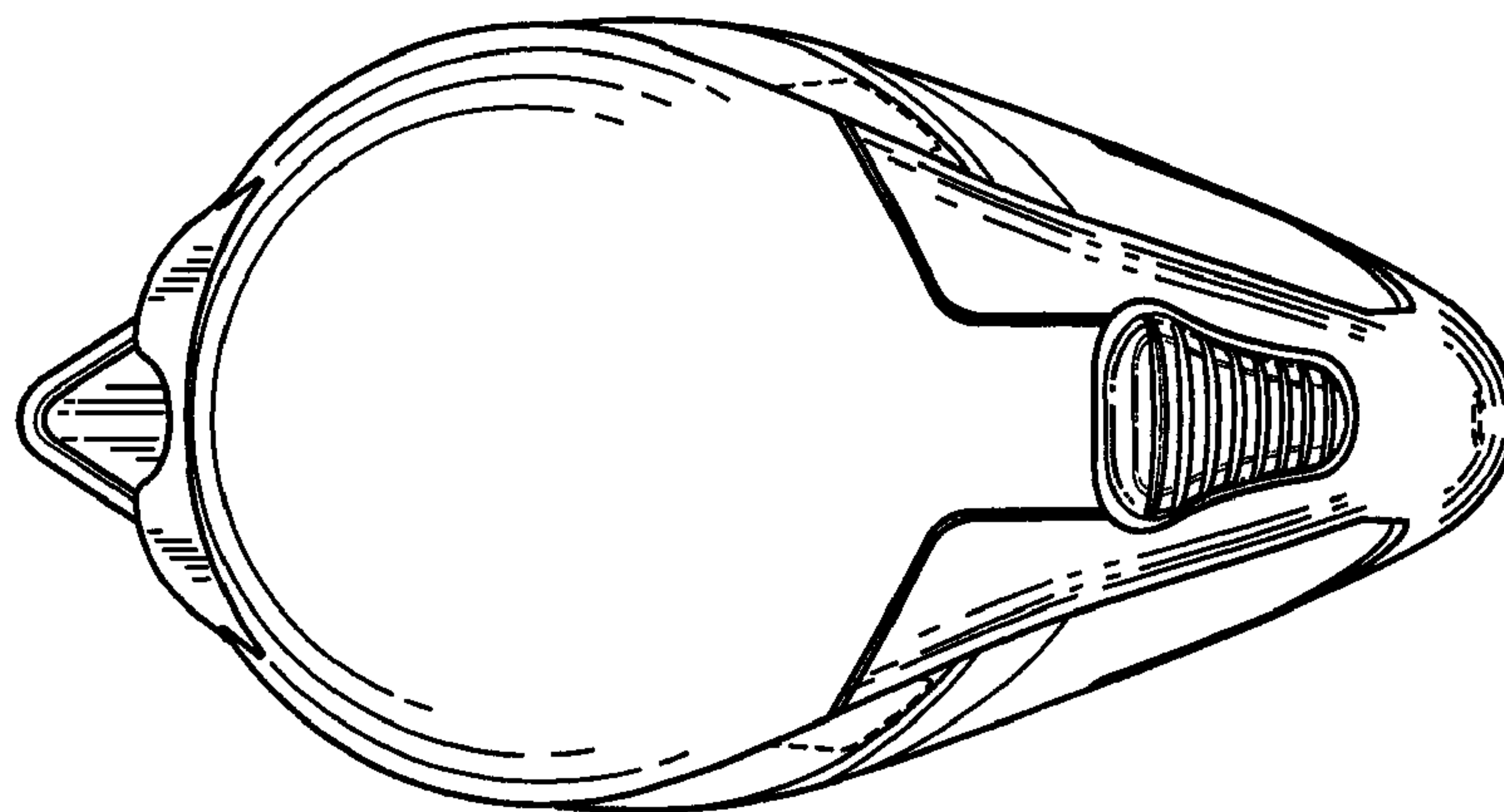


FIG. 14

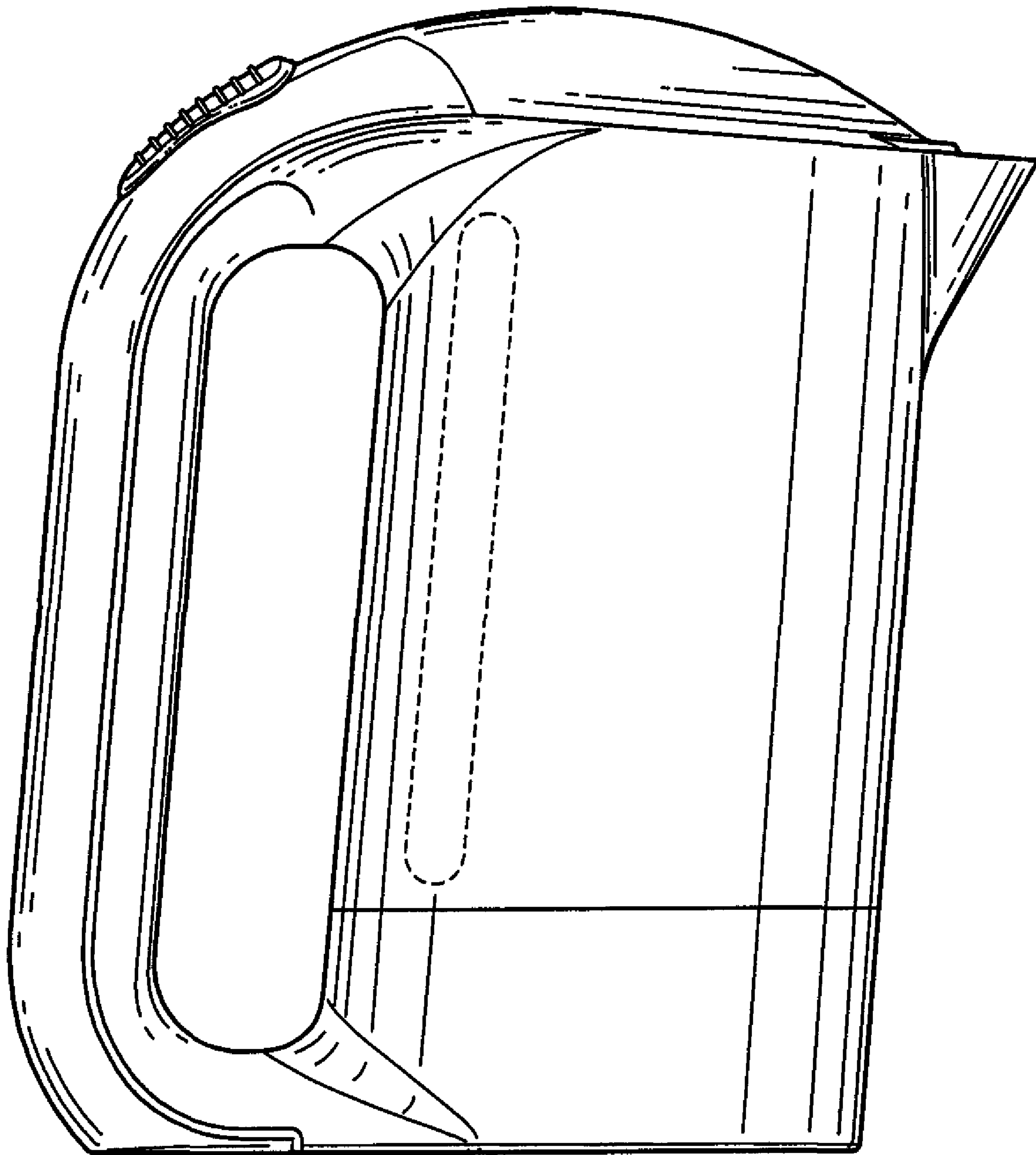


FIG. 13