



US00D670524S

(12) **United States Design Patent**
Oberlander

(10) **Patent No.:** **US D670,524 S**

(45) **Date of Patent:** **** Nov. 13, 2012**

(54) **BODY SUPPORT PILLOW**

(76) Inventor: **Yvonne L. Oberlander**, Hamilton (CA)

(**) Term: **14 Years**

(21) Appl. No.: **29/410,914**

(22) Filed: **Jan. 13, 2012**

(51) **LOC (9) Cl.** **06-09**

(52) **U.S. Cl.** **D6/601**

(58) **Field of Classification Search** D6/595,
D6/596, 597, 601; 5/630, 636, 637, 648,
5/652, 653, 655.3, 656, 907; D21/766, 769,
D21/803, 809

See application file for complete search history.

D455,311 S 4/2002 Fux
D485,881 S * 1/2004 Adamczewski et al. D21/766
D577,943 S * 10/2008 Larsen D6/601
D596,439 S * 7/2009 Hall D6/608
D608,402 S * 1/2010 Johnsrud D21/769
2003/0005521 A1 1/2003 Sramek

* cited by examiner

Primary Examiner — Janice Seeger

(74) *Attorney, Agent, or Firm* — Montgomery Patent & Design, LLC; Robert C. Montgomery; Joseph Yaksich

(57) **CLAIM**

The ornamental design for a body support pillow, as shown and described.

DESCRIPTION

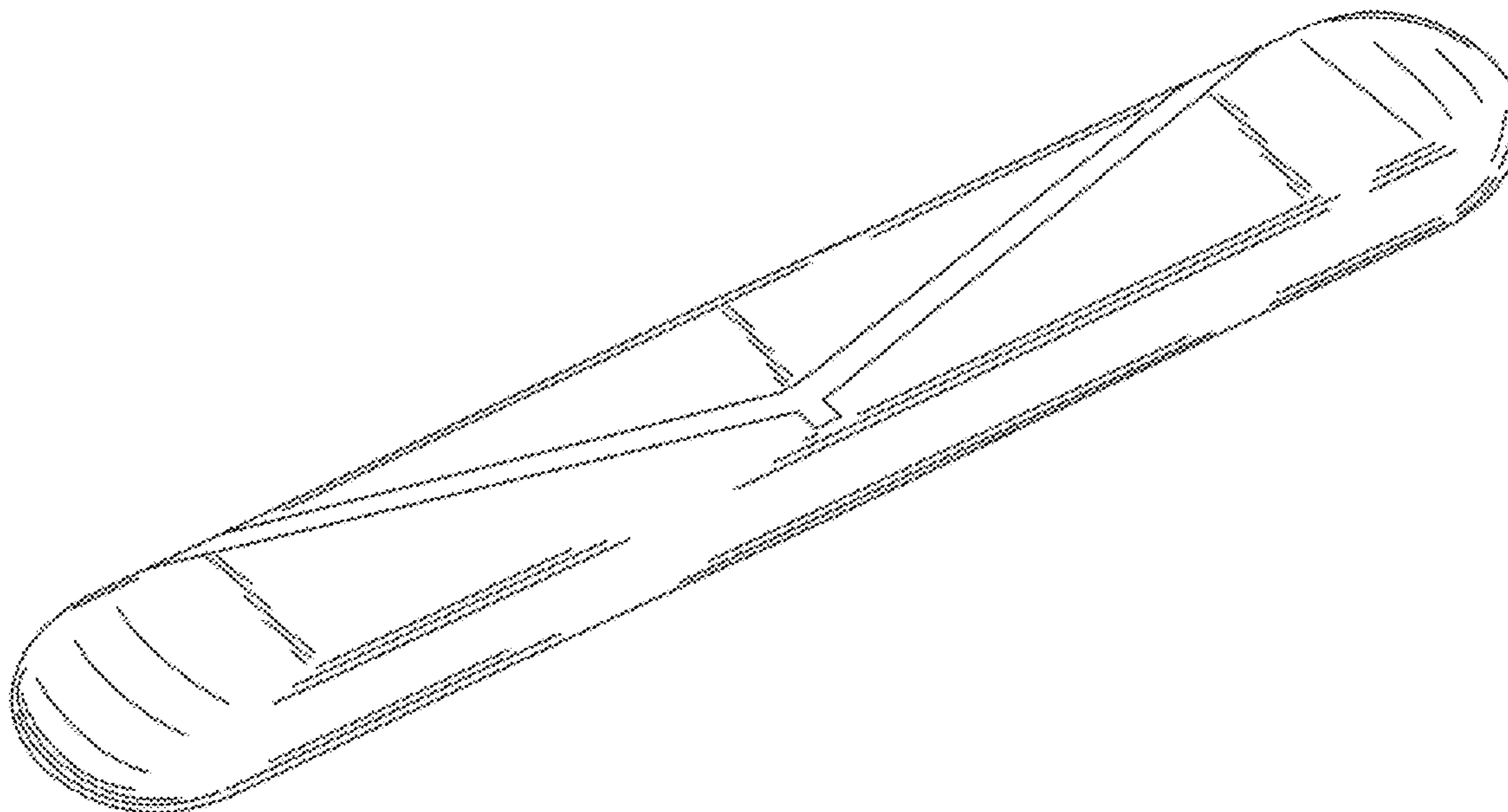
FIG. 1 is a perspective view of a body support pillow, showing my new design;
FIG. 2 is a front view thereof with a rear view being a mirror image;
FIG. 3 is a left side view thereof with a right side view being a mirror image;
FIG. 4 is a top view thereof; and,
FIG. 5 is a bottom view thereof.

1 Claim, 4 Drawing Sheets

(56) **References Cited**

U.S. PATENT DOCUMENTS

3,394,414 A 7/1968 Unger
4,020,511 A 5/1977 Terry
D306,948 S 4/1990 Zollinger
D314,116 S * 1/1991 Reed D6/601
D402,150 S 12/1998 Wurmbrand et al.
D420,238 S 2/2000 Jefferson et al.
D431,745 S 10/2000 Jackson
6,219,867 B1 * 4/2001 Yates 5/655.5
D447,376 S 9/2001 Kramer
D453,653 S 2/2002 Tunnell



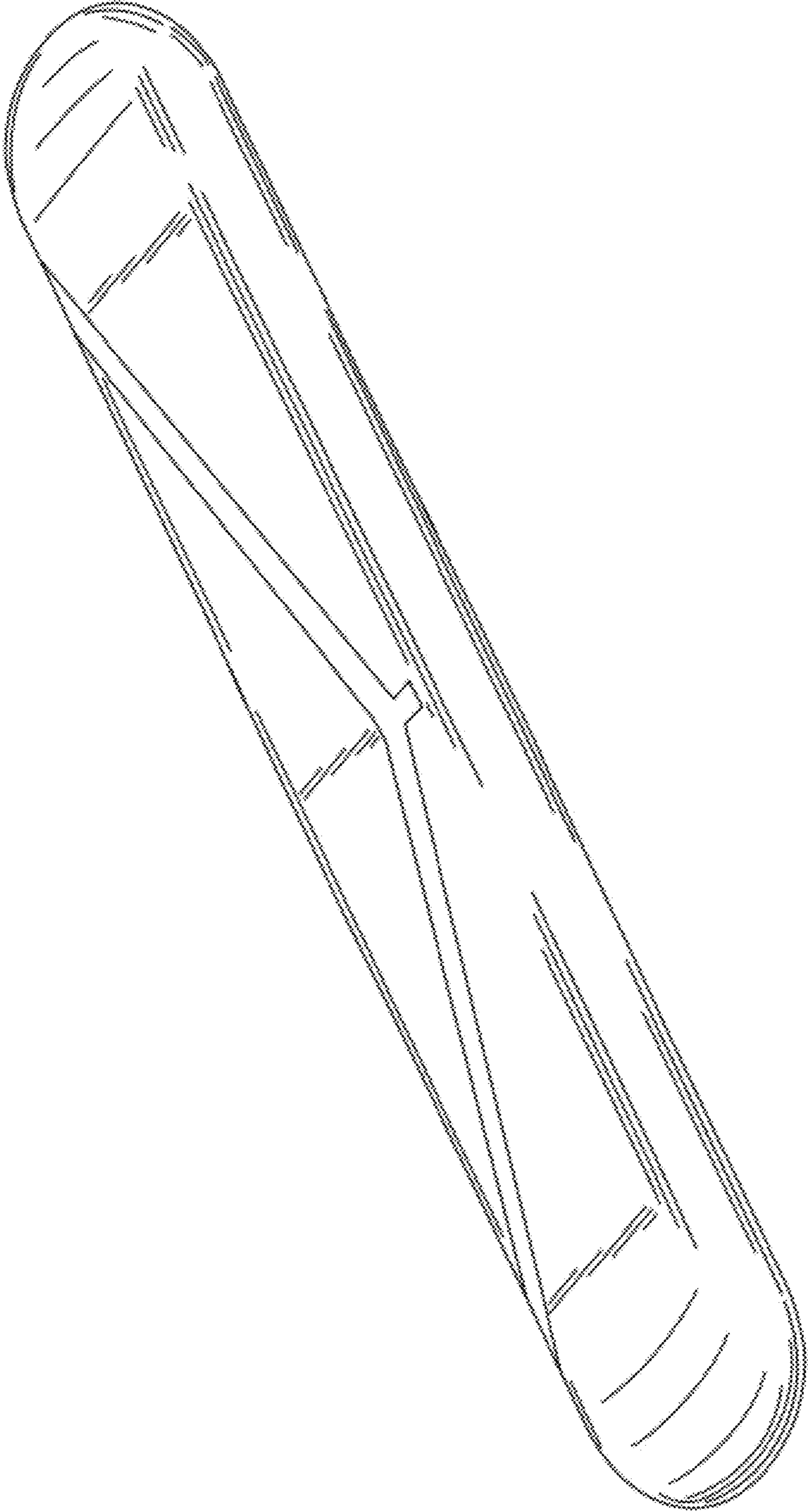


Fig. 1

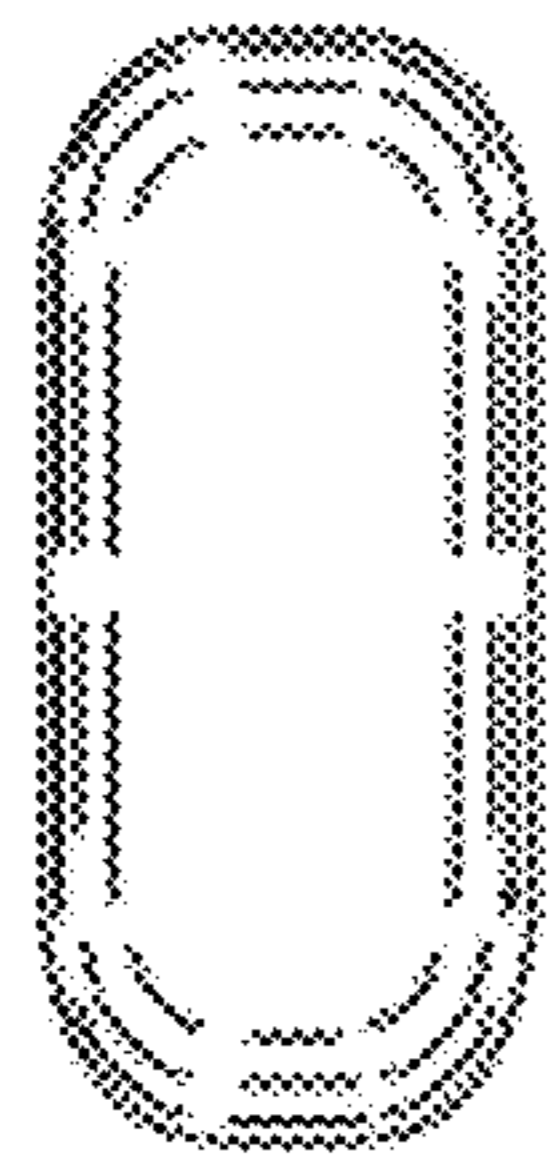


Fig. 2

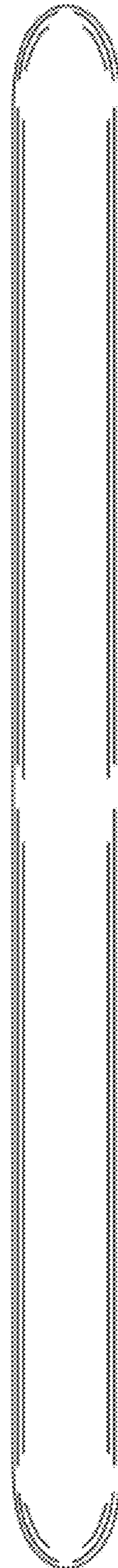


Fig. 3

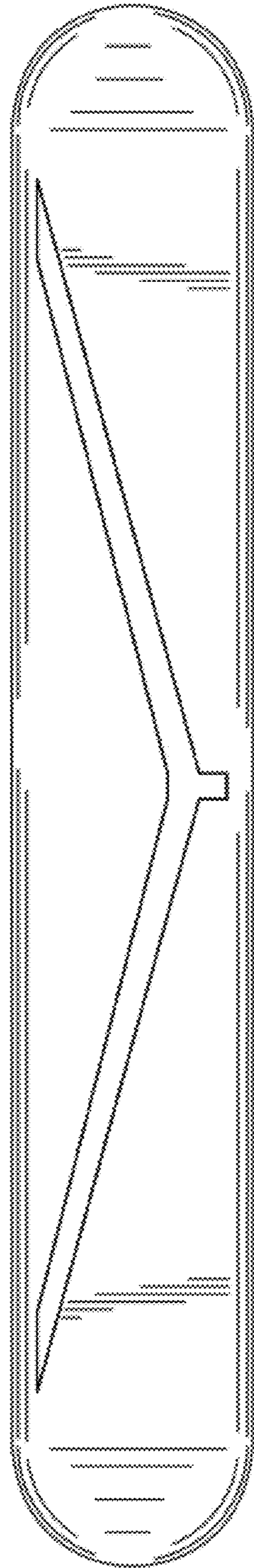


Fig. 4

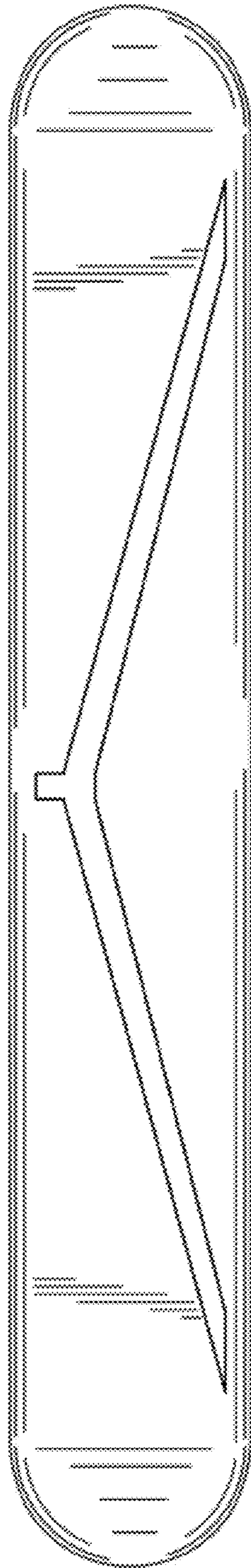


Fig. 5