



US00D670520S

(12) **United States Design Patent**  
**Gilbert**

(10) **Patent No.:** **US D670,520 S**

(45) **Date of Patent:** **\*\* Nov. 13, 2012**

(54) **SHOWER CADDY PORTION**

(75) Inventor: **Christopher Jon Gilbert**, Moreland Hills, OH (US)

(73) Assignee: **Moen Incorporated**, Noth Olmsted, OH (US)

(\*\*) Term: **14 Years**

(21) Appl. No.: **29/412,160**

(22) Filed: **Jan. 31, 2012**

(51) **LOC (9) Cl.** ..... **23-02**

(52) **U.S. Cl.** ..... **D6/525; D6/511**

(58) **Field of Classification Search** ..... D6/524,

D6/525, 566, 536, 540, 511; 211/13.1, 74,

211/71.01, 86.01, 75, 88.01, 90.01, 90.03,

211/106, 119, 126.1, 133.5, 181.1, 134

See application file for complete search history.

(56) **References Cited**

**U.S. PATENT DOCUMENTS**

D293,183 S	12/1987	Aaron	
D409,424 S *	5/1999	Hofman et al.	D6/525
D418,341 S *	1/2000	Carville et al.	D6/511
D428,744 S *	8/2000	Patel et al.	D6/525
D470,703 S	2/2003	Hoernig	
D475,561 S *	6/2003	Suero, Jr.	D6/525
D501,622 S *	2/2005	Hoernig	D6/574
D564,257 S	3/2008	Yang et al.	
D568,656 S	5/2008	Kramer	
D568,658 S *	5/2008	Yang et al.	D6/525
D622,990 S	9/2010	Yang et al.	
D628,841 S	12/2010	Yang et al.	

D651,837 S *	1/2012	Yang et al.	D6/525
2008/0000859 A1	1/2008	Yang et al.	
2008/0035592 A1	2/2008	Yang et al.	
2008/0047913 A1	2/2008	Naden et al.	
2009/0188880 A1	7/2009	Yang et al.	

\* cited by examiner

*Primary Examiner* — Brian N Vinson

(74) *Attorney, Agent, or Firm* — Calfee, Halter & Griswold LLP

(57) **CLAIM**

The ornamental design for a shower caddy portion, as shown and described.

**DESCRIPTION**

FIG. 1 is a top, front, and left side perspective view of a shower caddy portion showing my new design;

FIG. 2 is an enlarged top, front, and left side perspective view thereof;

FIG. 3 is an enlarged front elevational view thereof;

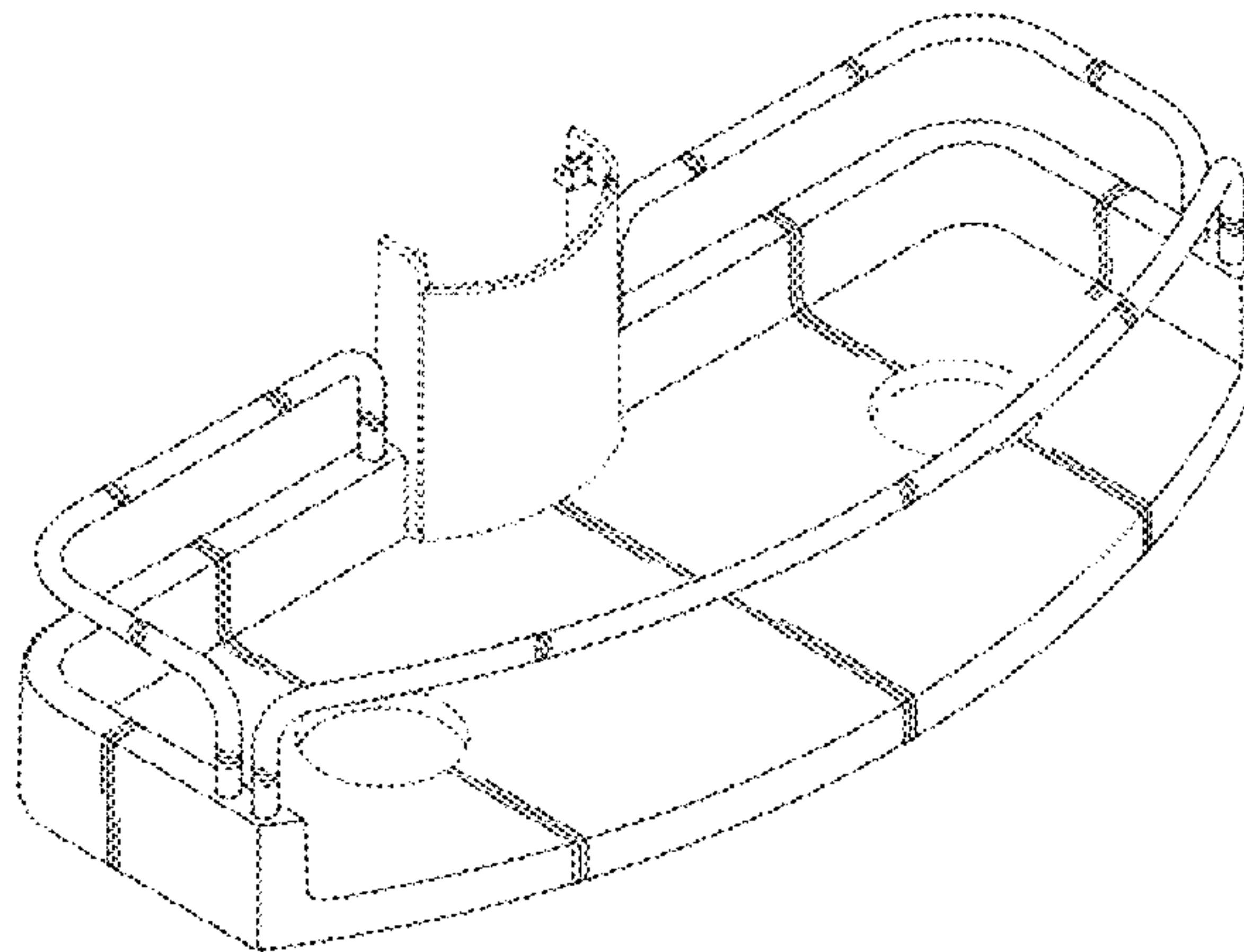
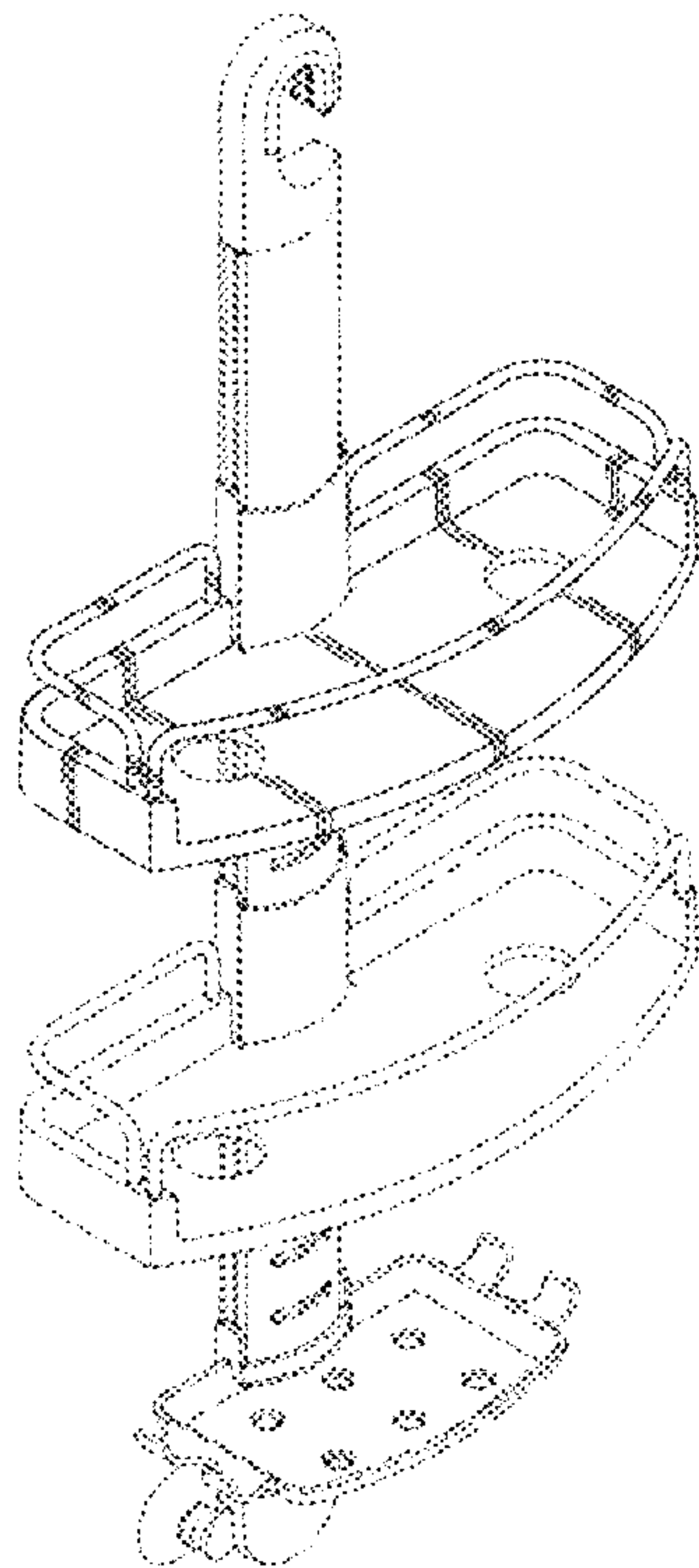
FIG. 4 is an enlarged rear elevational view thereof;

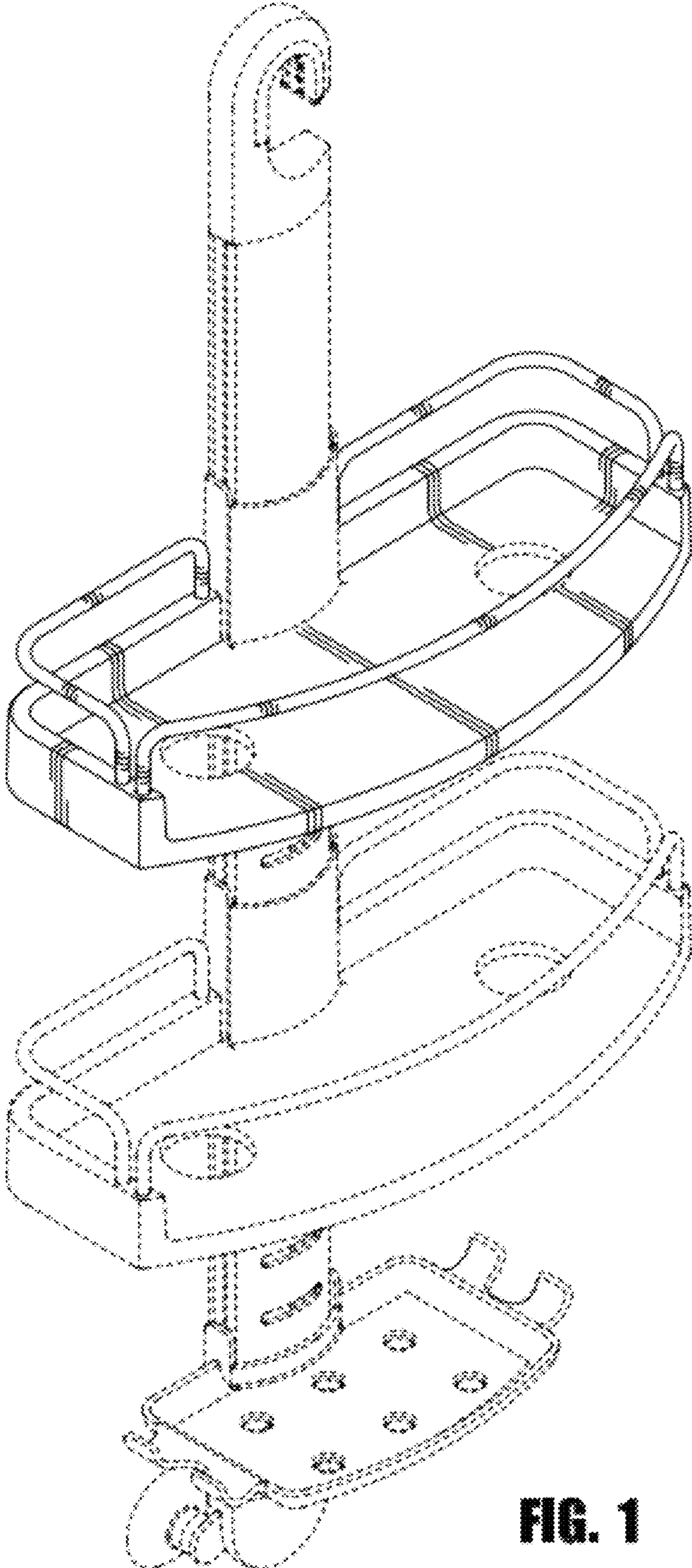
FIG. 5 is an enlarged left side elevational view thereof, the right side elevational view being a mirror image thereof; and,

FIG. 6 is an enlarged top plan view thereof.

The portions of the figures shown in broken lines form no part of the claimed design. Where a broken line separates claimed surfaces provided with surface shading, and unclaimed surfaces, that broken line is understood to represent an unclaimed boundary between the claimed surface and the unclaimed surface.

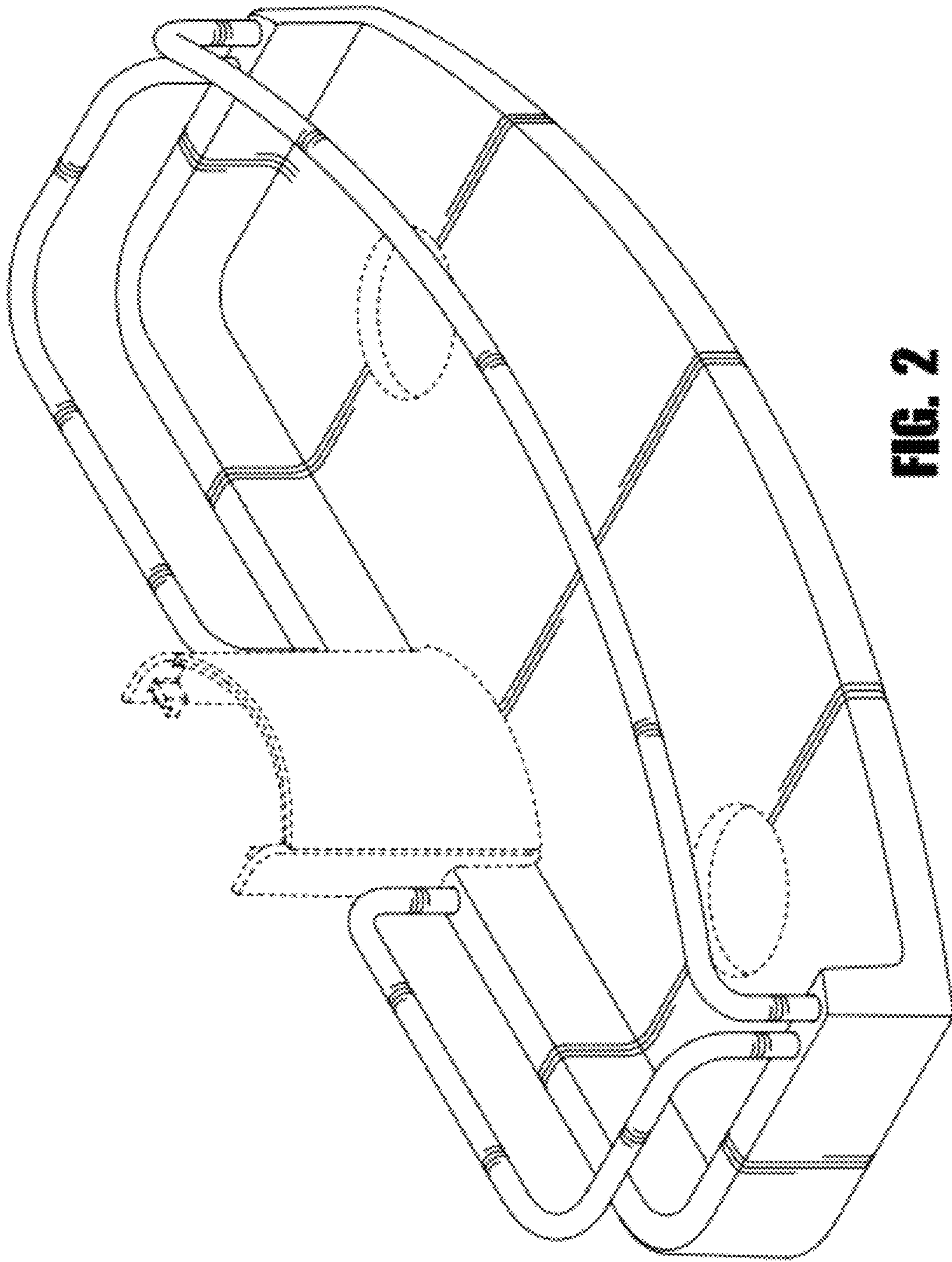
**1 Claim, 4 Drawing Sheets**



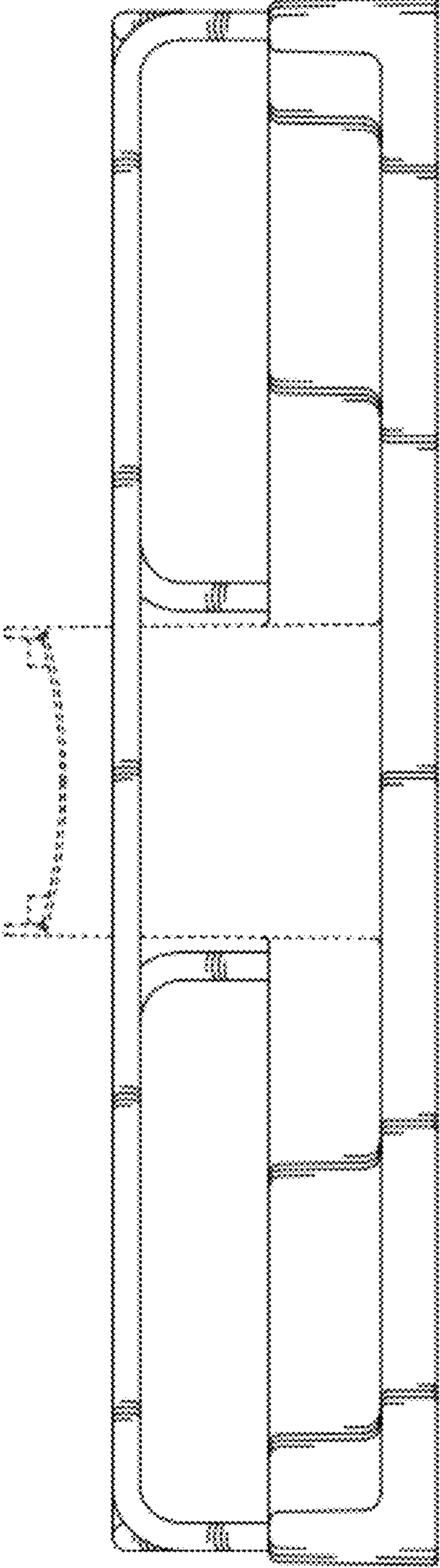


**FIG. 1**

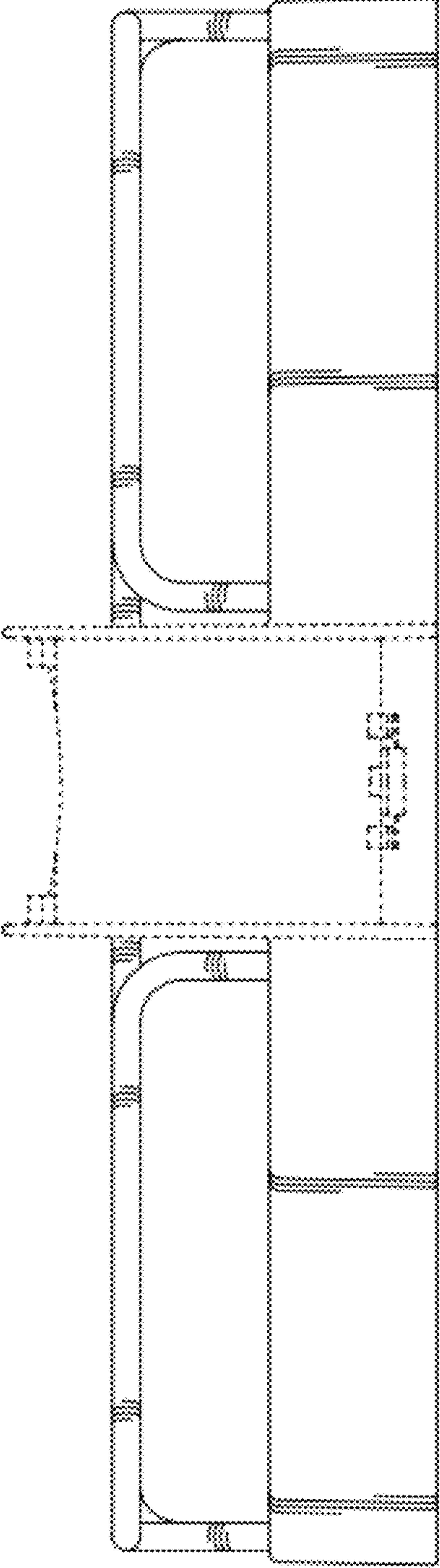




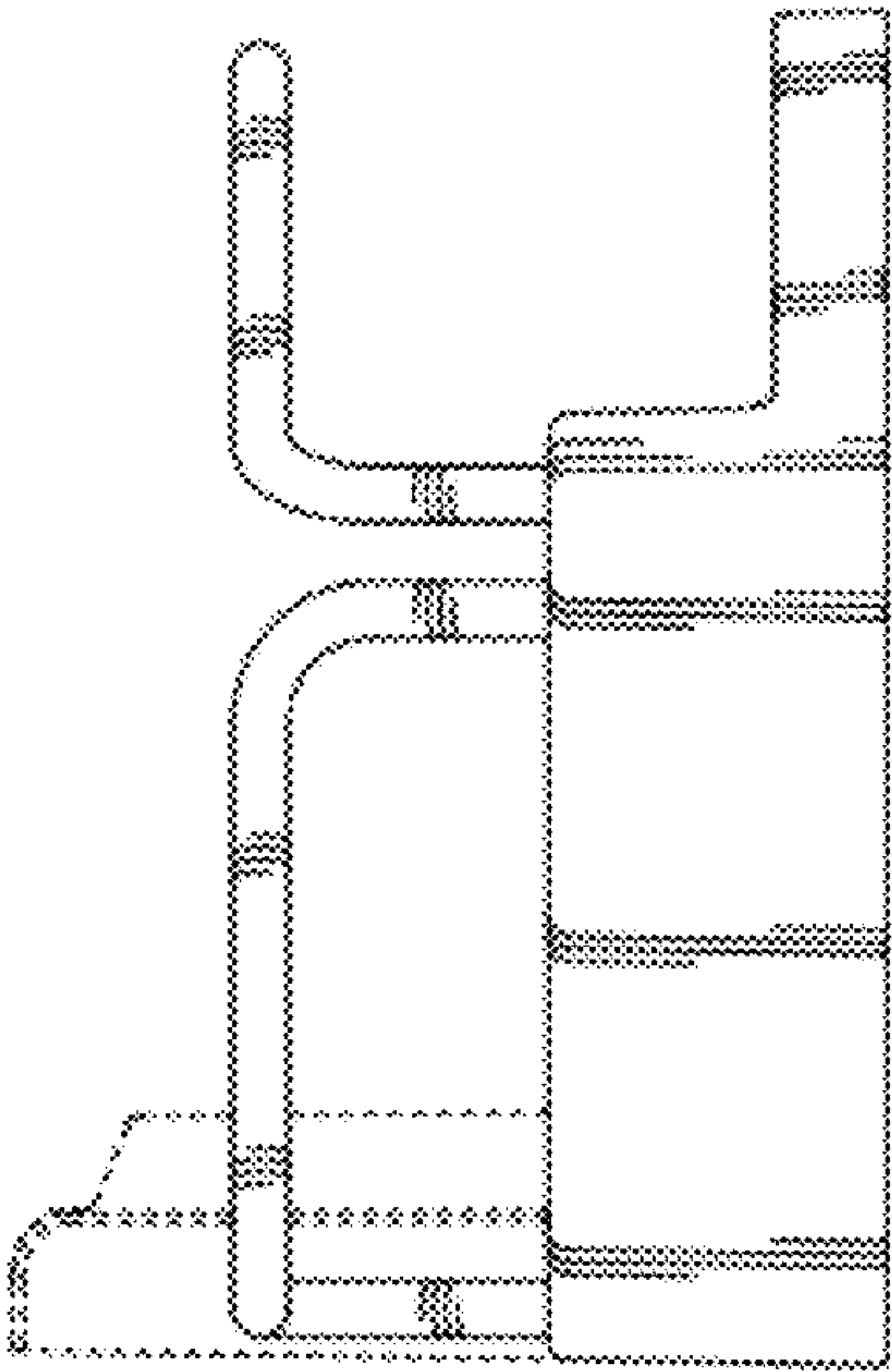
**FIG. 2**



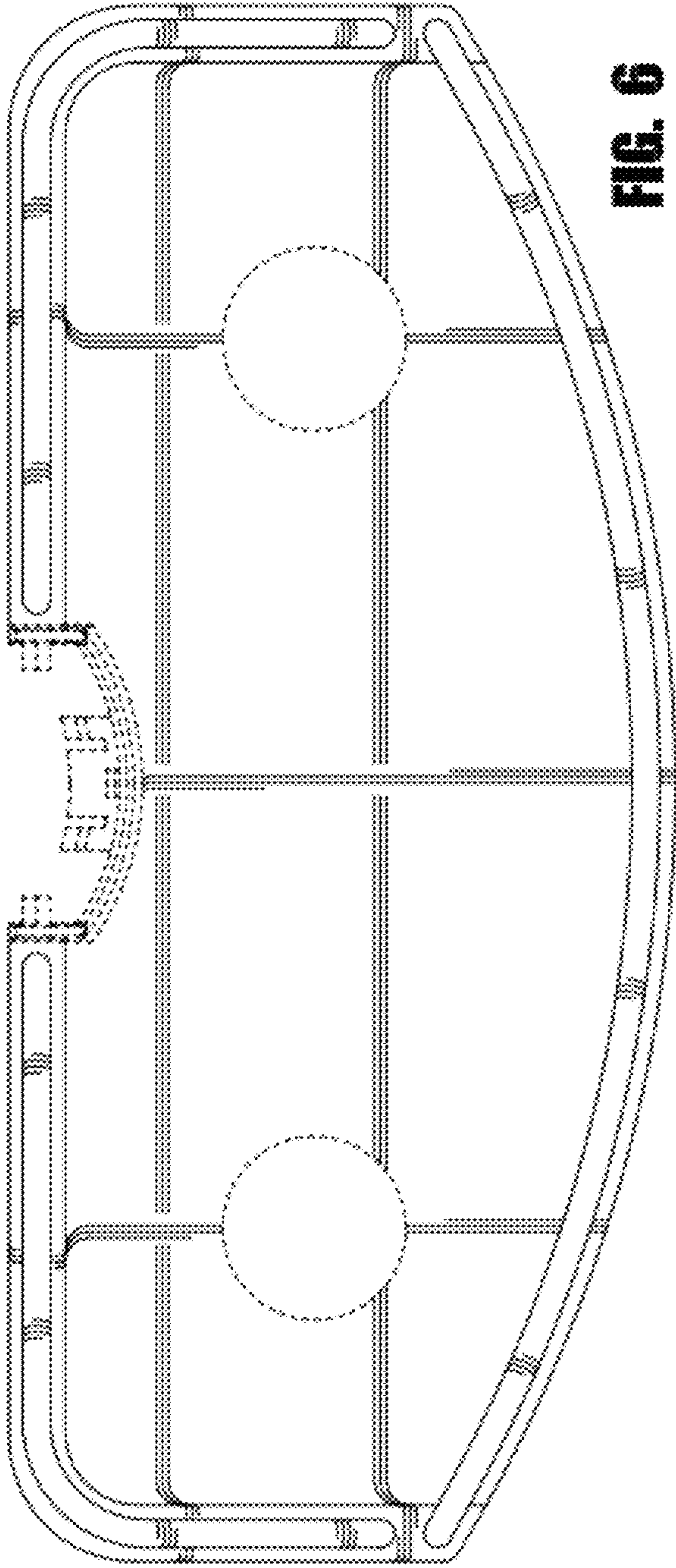
**FIG. 3**



**FIG. 4**



**FIG. 5**



**FIG. 6**