



US00D670517S

(12) **United States Design Patent**
Murphy

(10) **Patent No.:** **US D670,517 S**

(45) **Date of Patent:** **** Nov. 13, 2012**

(54) **ORGANIZER AND DISPENSER FOR PLASTIC ZIPPER STORAGE BAGS OR DISPOSABLE GLOVES**

(75) Inventor: **Jeffrey R. Murphy**, Flushing, NY (US)

(73) Assignee: **Segulah LLC**, New York, NY (US)

(**) Term: **14 Years**

(21) Appl. No.: **29/405,340**

(22) Filed: **Nov. 1, 2011**

(51) **LOC (9) Cl.** **20-02**

(52) **U.S. Cl.** **D6/515**

(58) **Field of Classification Search** D6/515-523;
206/225, 233, 389, 391, 812, 824, 63.5; 211/13.1,
211/45; 222/173, 180; 221/16, 33, 282-283;
242/925, 570, 590; 248/309.1, 309.2, 905;
D9/307, 521, 529, 419, 420; D3/20, 301;
D28/66

See application file for complete search history.

(56) **References Cited**

U.S. PATENT DOCUMENTS

1,753,569	A	4/1930	Irving	
D254,585	S	4/1980	LeCaire, Jr. et al.	
D312,178	S	11/1990	Fautley	
5,042,687	A	8/1991	McKinley	
D339,943	S *	10/1993	Romme et al.	D6/515
D364,298	S *	11/1995	Phifer	D6/515
D389,681	S *	1/1998	Mullin	D6/515
D392,482	S *	3/1998	Seenath	D6/515

5,857,586	A	1/1999	Scherr	
D437,167	S *	2/2001	Hardaway	D6/570
D458,065	S *	6/2002	Christian	D6/515
D482,915	S	12/2003	Yang et al.	
D523,267	S	6/2006	Mays-Hobbs	
D570,141	S *	6/2008	Snider	D6/515
D570,142	S	6/2008	Lin	
2003/0136793	A1	7/2003	Chen	
2004/0040974	A1	3/2004	Chen	
2007/0262082	A1	11/2007	Butcher	

* cited by examiner

Primary Examiner — Brian N Vinson

(74) *Attorney, Agent, or Firm* — Hammer & Associates, P.C.

(57) **CLAIM**

The ornamental design for an organizer and dispenser for plastic zipper storage bags or disposable gloves, as shown and described.

DESCRIPTION

FIG. 1 is a perspective view of an organizer and dispenser for plastic zipper storage bags or disposable gloves showing my new design;

FIG. 2 is another perspective view thereof;

FIG. 3 is a front elevational view thereof;

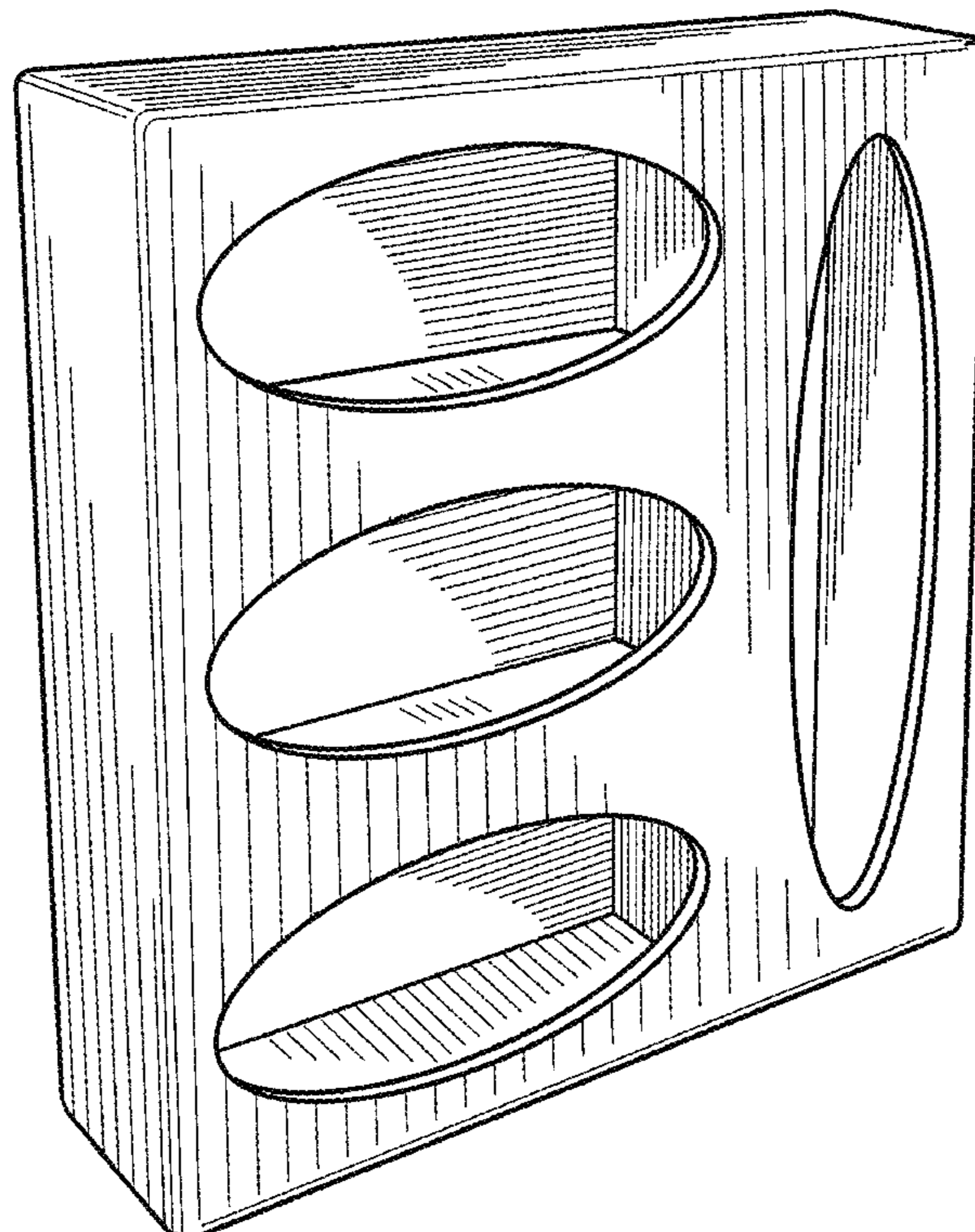
FIG. 4 is a rear elevational view thereof;

FIG. 5 is a lateral or top or bottom side plan view thereof;

FIG. 6 is a perspective view thereof, with the front face removed; and,

FIG. 7 is a front elevational view thereof, with the front face removed.

1 Claim, 7 Drawing Sheets



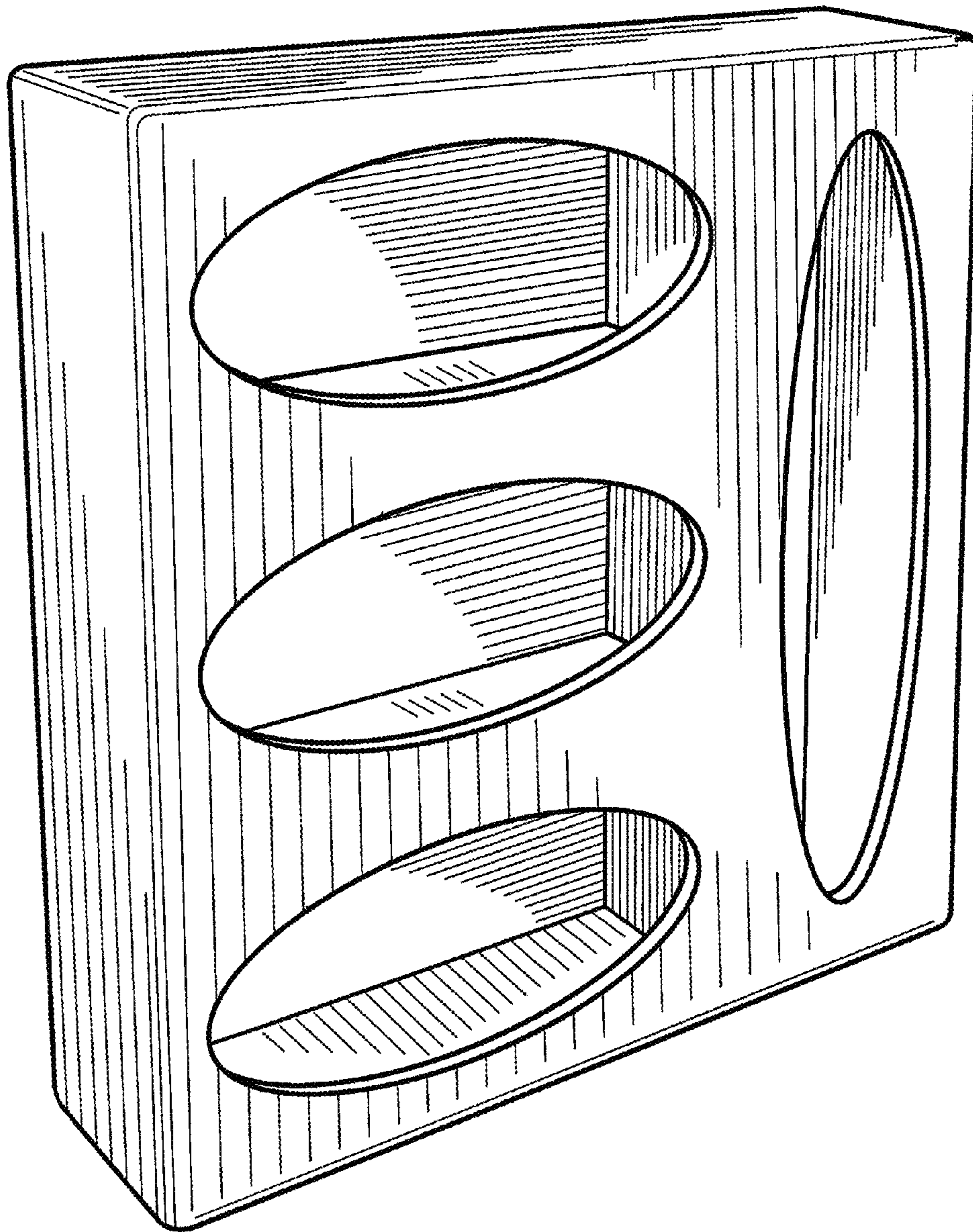


Fig. 1

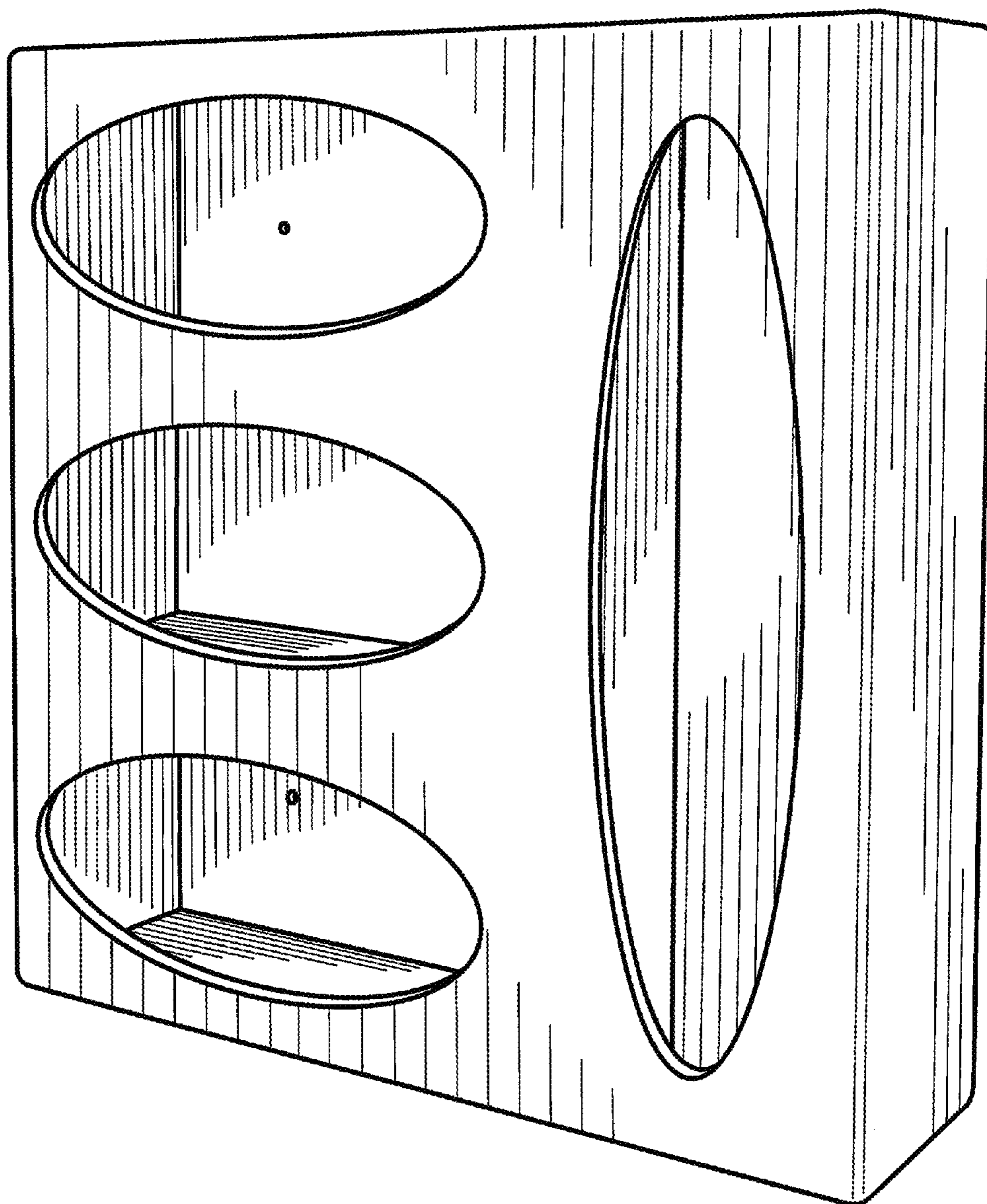


Fig. 2

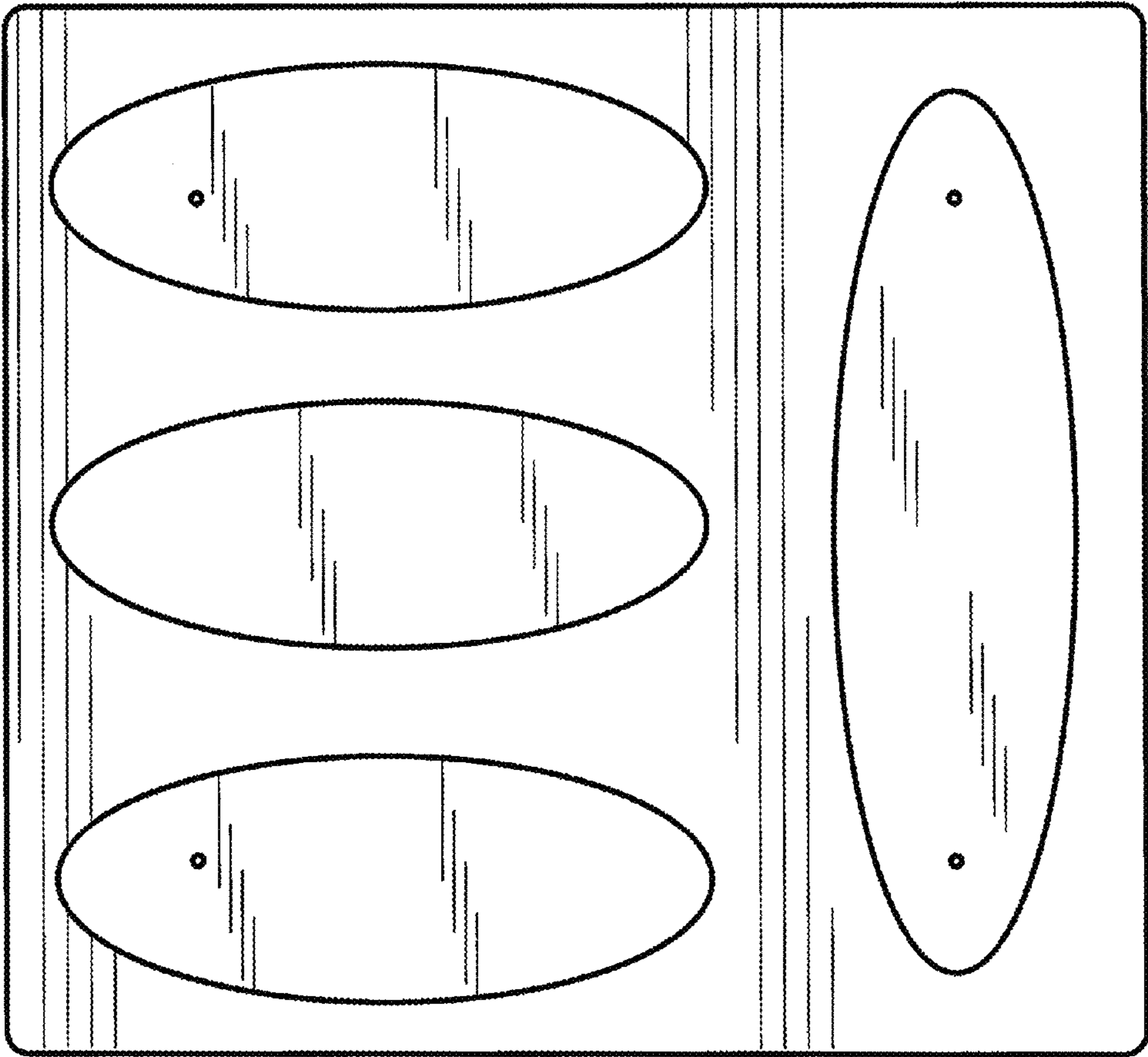


Fig. 3

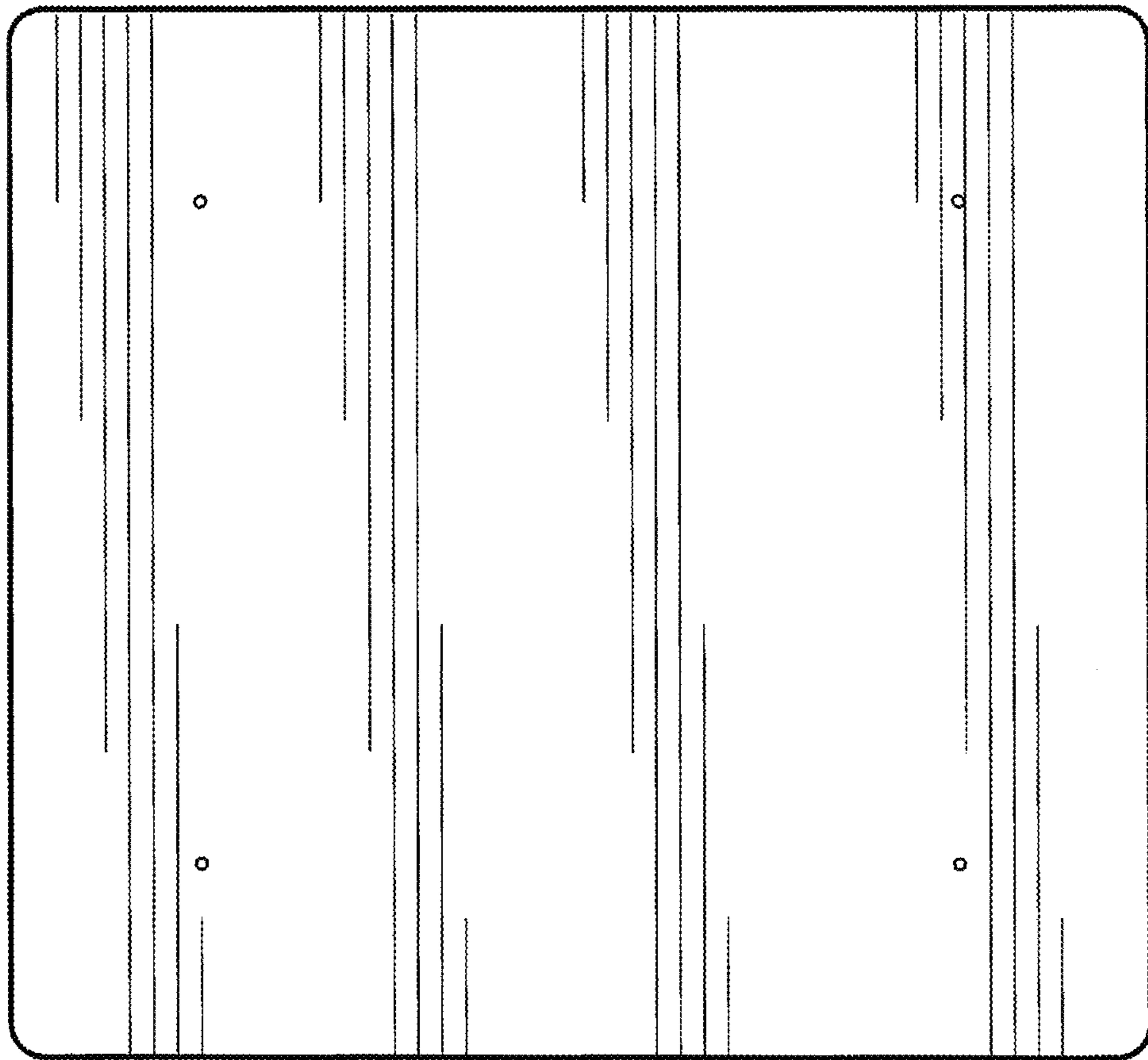


Fig. 4

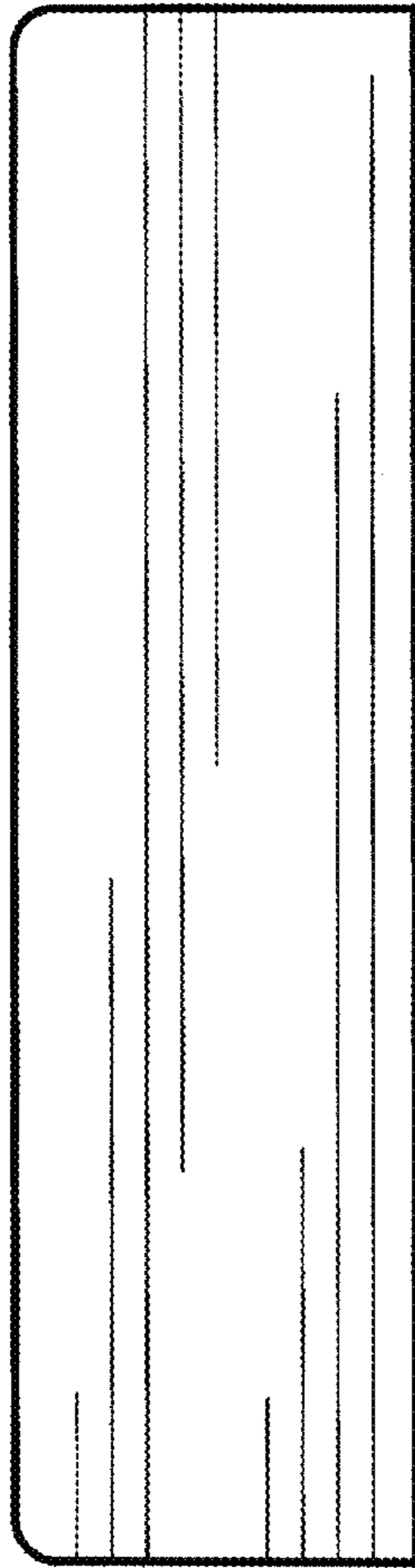


Fig. 5

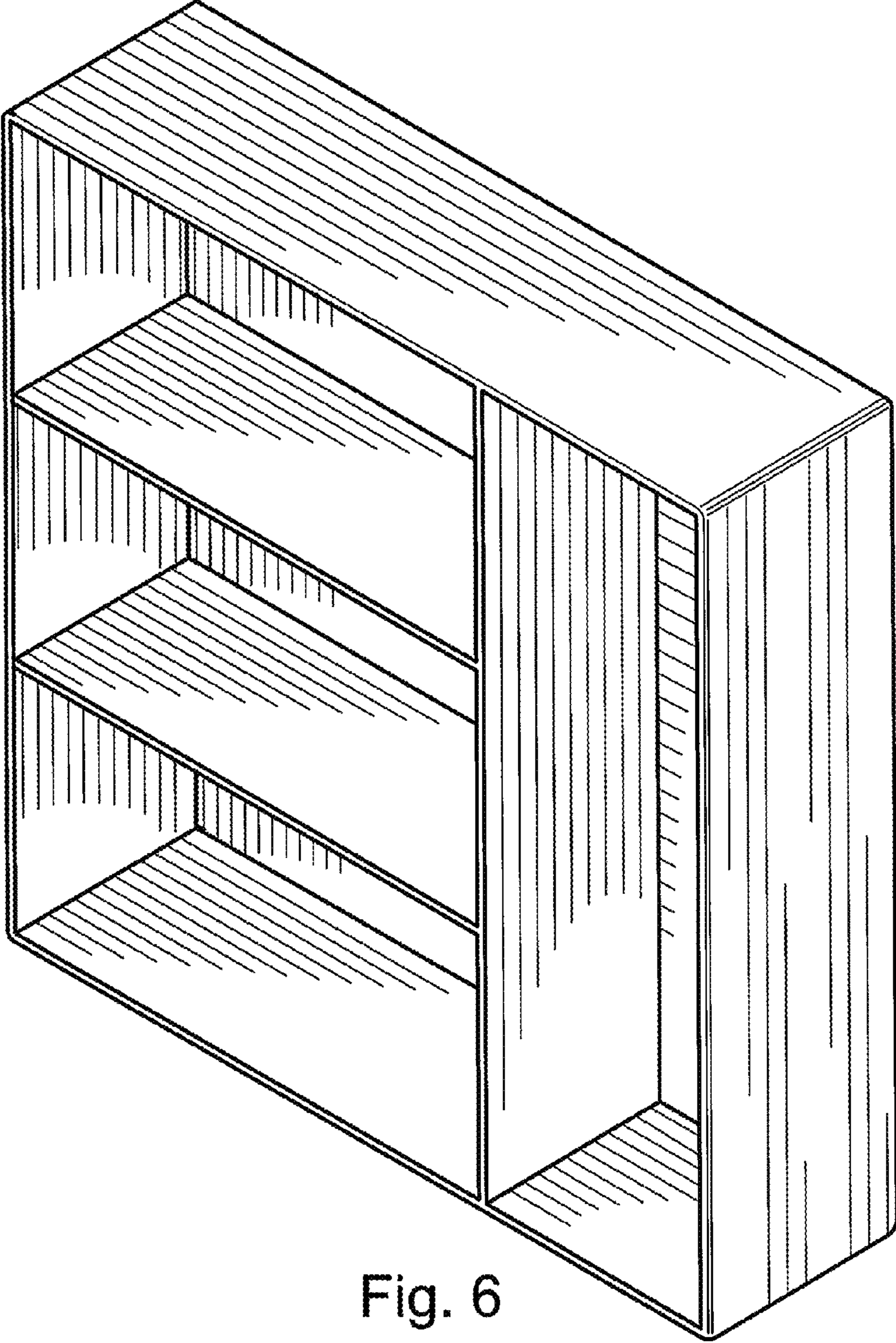


Fig. 6

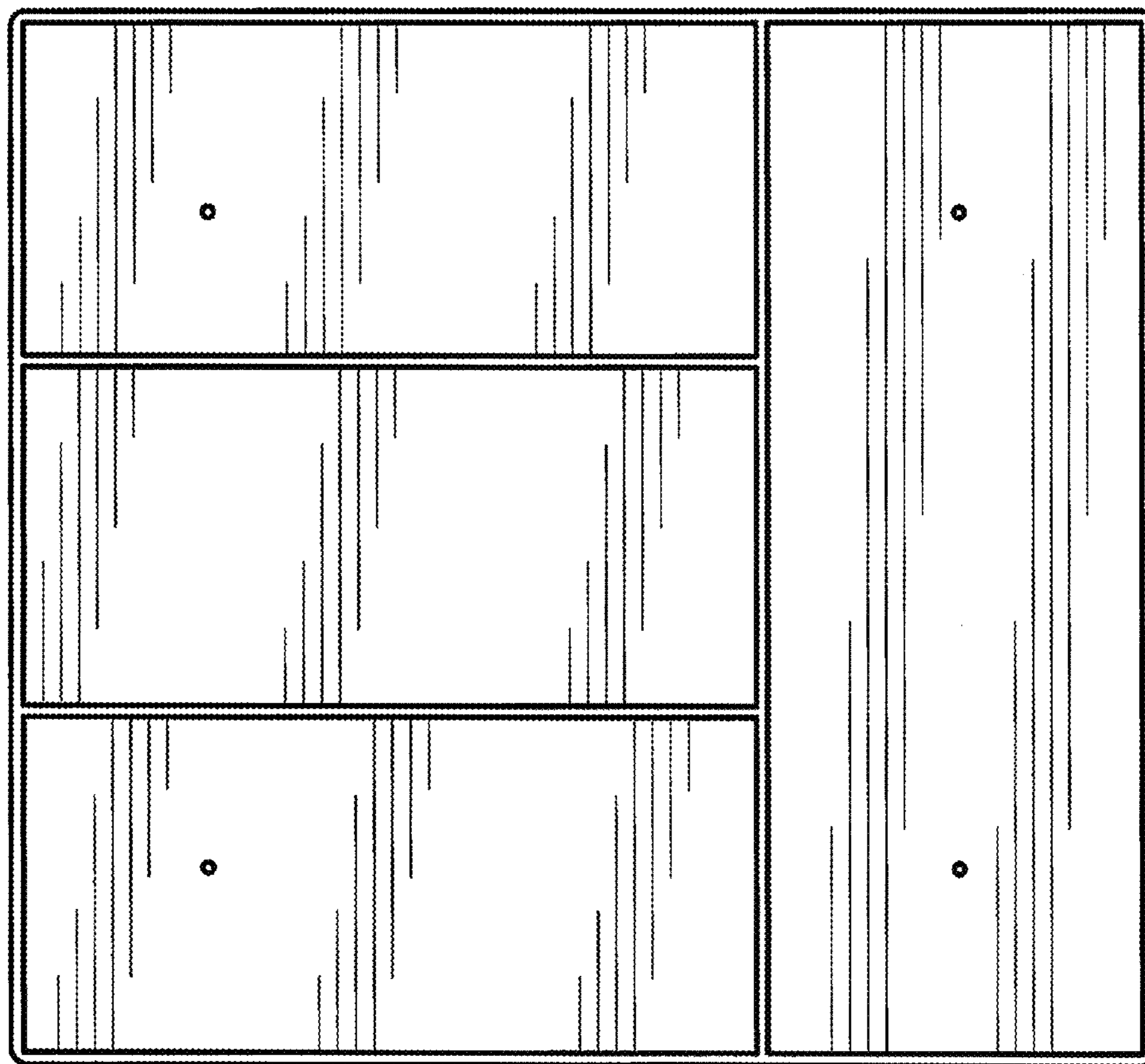


Fig. 7