



US00D670516S

(12) **United States Design Patent**  
**Lai et al.**

(10) **Patent No.:** **US D670,516 S**

(45) **Date of Patent:** **\*\* Nov. 13, 2012**

(54) **CHAIR ARMREST**

(76) Inventors: **Yu-Shan Lai**, Chiayi (TW); **Yen-Chuan Lai**, Chiayi (TW)

(\*\*) Term: **14 Years**

(21) Appl. No.: **29/407,681**

(22) Filed: **Dec. 1, 2011**

(51) **LOC (9) Cl.** ..... **06-01**

(52) **U.S. Cl.** ..... **D6/501**

(58) **Field of Classification Search** ..... D6/334-336,  
D6/364, 365, 366, 367, 379, 380, 500-502;  
297/411.2, 411.27, 411.36, 411.37, 463.1  
See application file for complete search history.

(56) **References Cited**

U.S. PATENT DOCUMENTS

D446,411	S	*	8/2001	Ho	.....	D6/500
D488,652	S	*	4/2004	Lee	.....	D6/501
D492,520	S	*	7/2004	Ho	.....	D6/501
D493,627	S	*	8/2004	Ma	.....	D6/366
D494,791	S	*	8/2004	True	.....	D6/501
D500,218	S	*	12/2004	Koepke et al.	.....	D6/501
D502,828	S	*	3/2005	Lin	.....	D6/501
D506,337	S	*	6/2005	Wang	.....	D6/501
D514,832	S	*	2/2006	Tsai	.....	D6/366

7,201,449	B2	*	4/2007	Tsai	.....	297/411.36
D557,028	S	*	12/2007	Su	.....	D6/366
D563,687	S	*	3/2008	Neil	.....	D6/366
D586,161	S	*	2/2009	Tsai	.....	D6/501
7,661,763	B2	*	2/2010	Tsai	.....	297/411.36
D634,558	S	*	3/2011	Deisig	.....	D6/366
D639,576	S	*	6/2011	Breen	.....	D6/366
D641,983	S	*	7/2011	Hazzard	.....	D6/366

\* cited by examiner

*Primary Examiner* — Mimosa De

(74) *Attorney, Agent, or Firm* — Alan Kamrath; Kamrath IP Lawfirm, PA

(57) **CLAIM**

The ornamental design for a chair armrest, as shown and described.

**DESCRIPTION**

FIG. 1 is a perspective view of a chair armrest showing my design;

FIG. 2 is a front elevational view thereof;

FIG. 3 is a rear elevational view thereof;

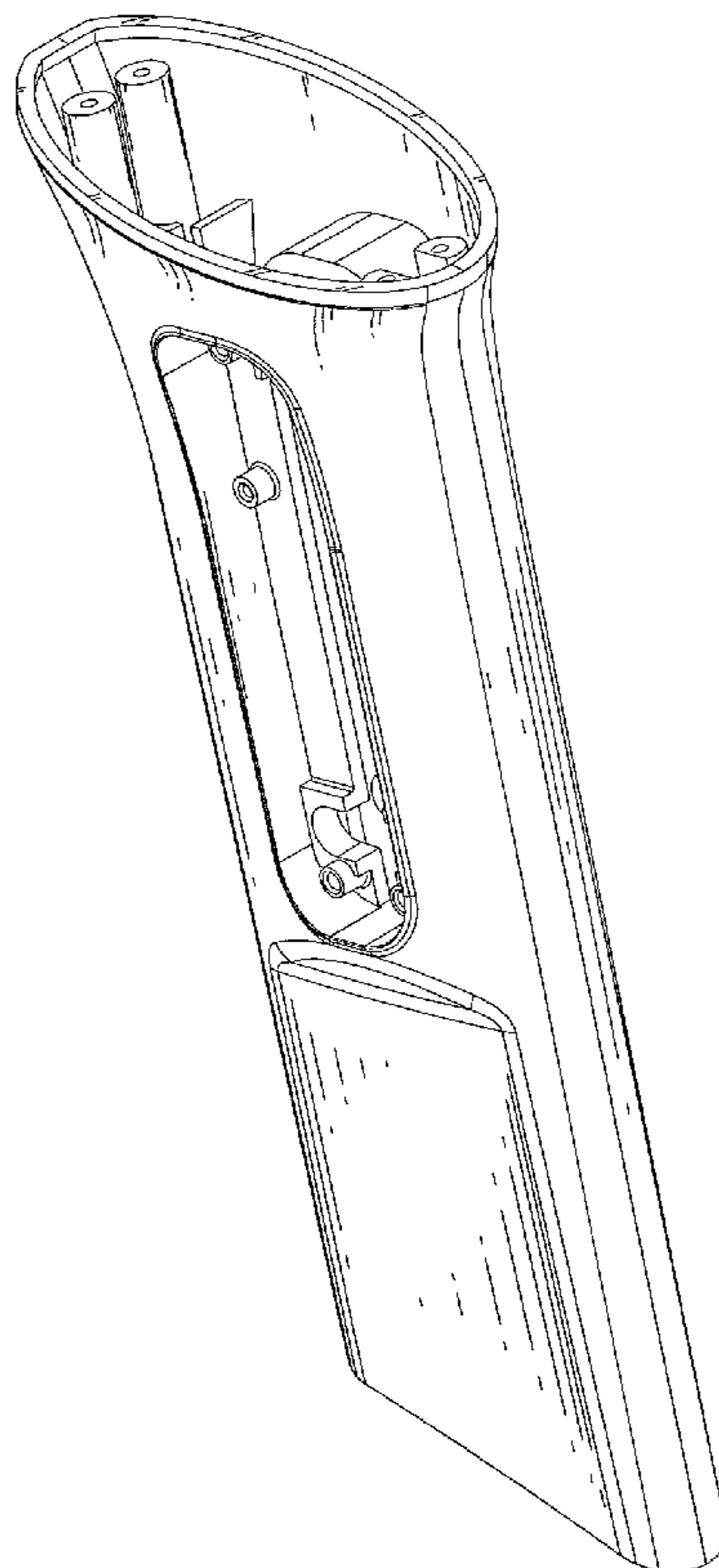
FIG. 4 is a left side elevational view thereof;

FIG. 5 is a right side elevational view thereof;

FIG. 6 is a top plan view thereof; and,

FIG. 7 is a bottom plan view thereof

**1 Claim, 6 Drawing Sheets**



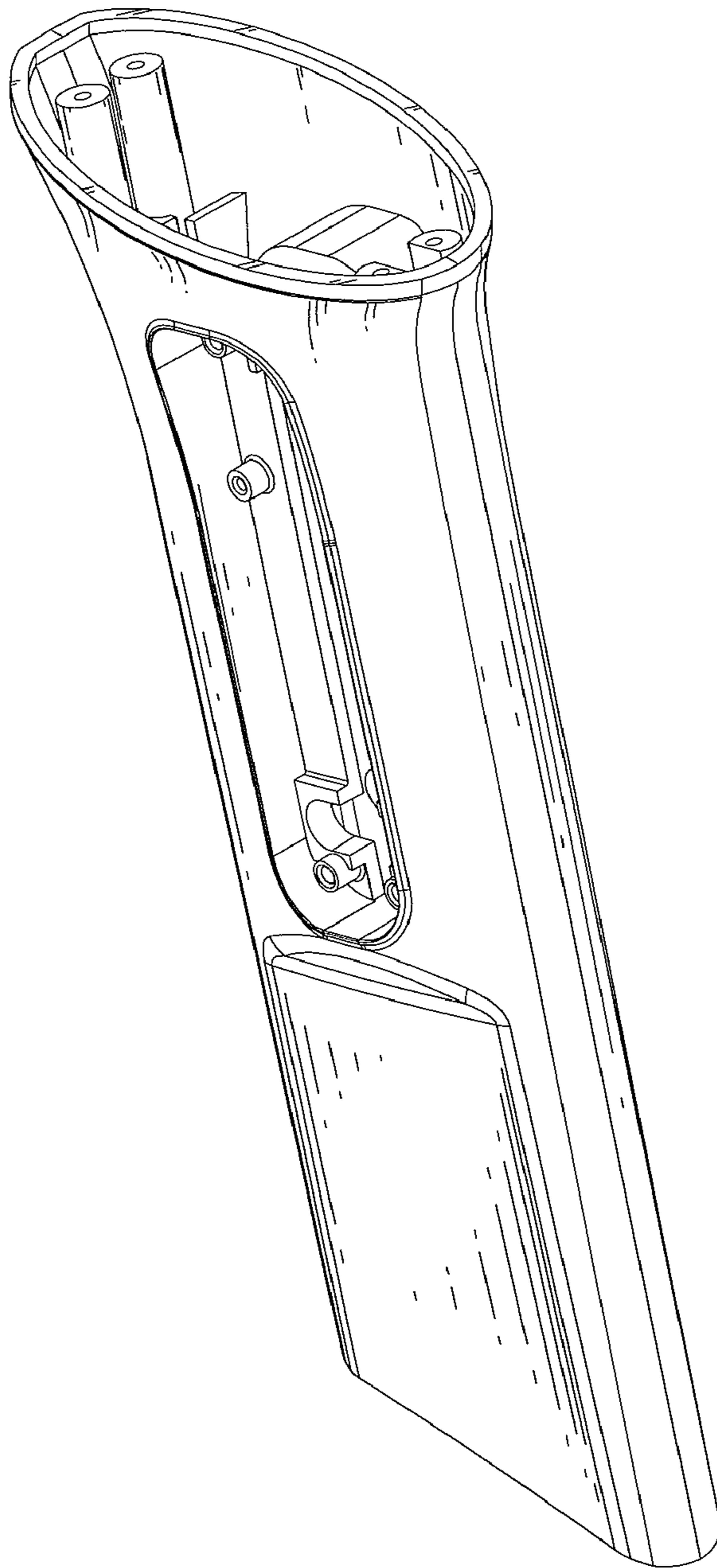


FIG. 1

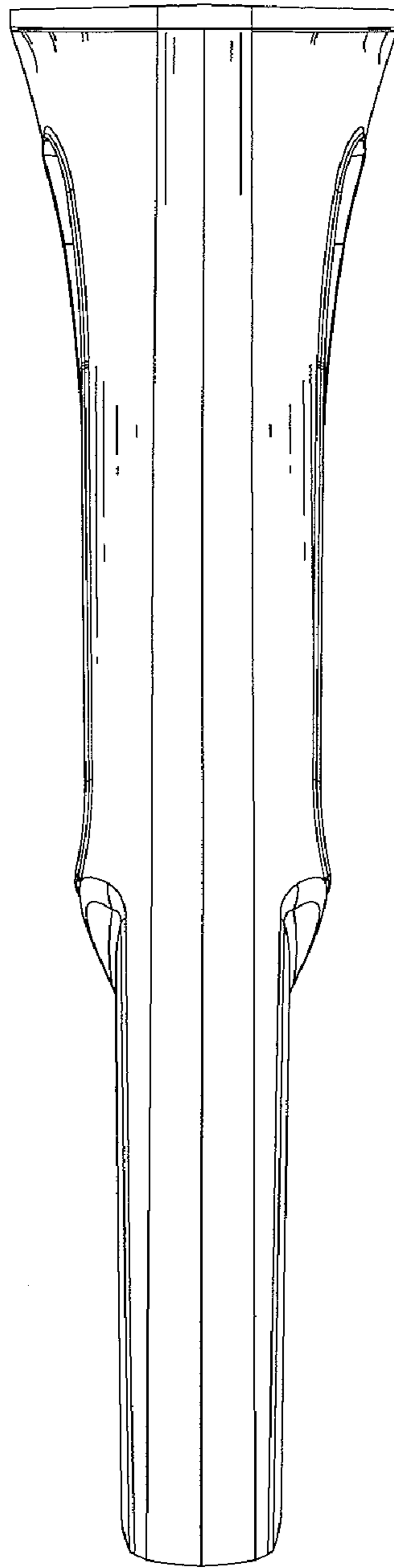


FIG. 2

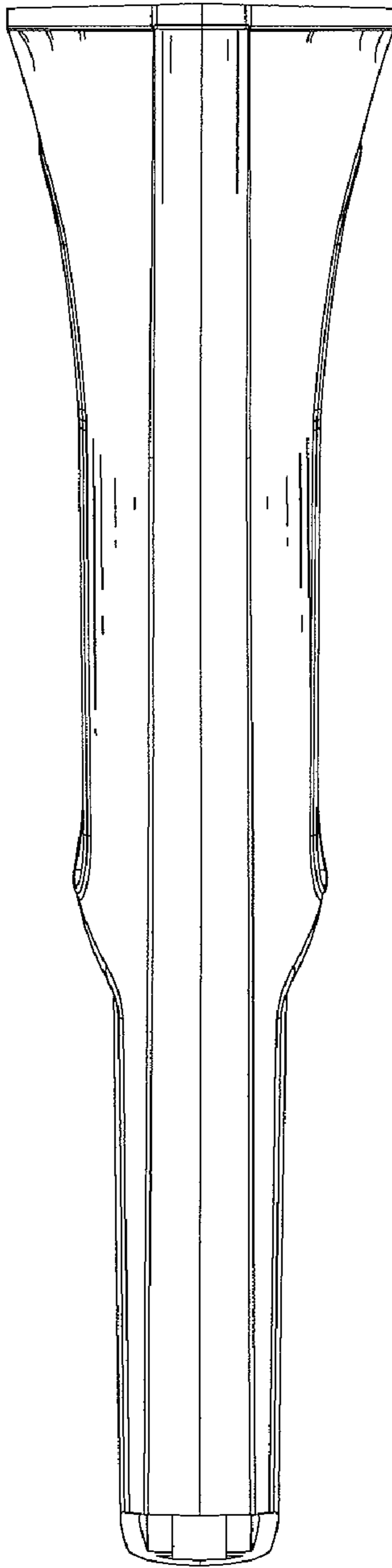


FIG. 3

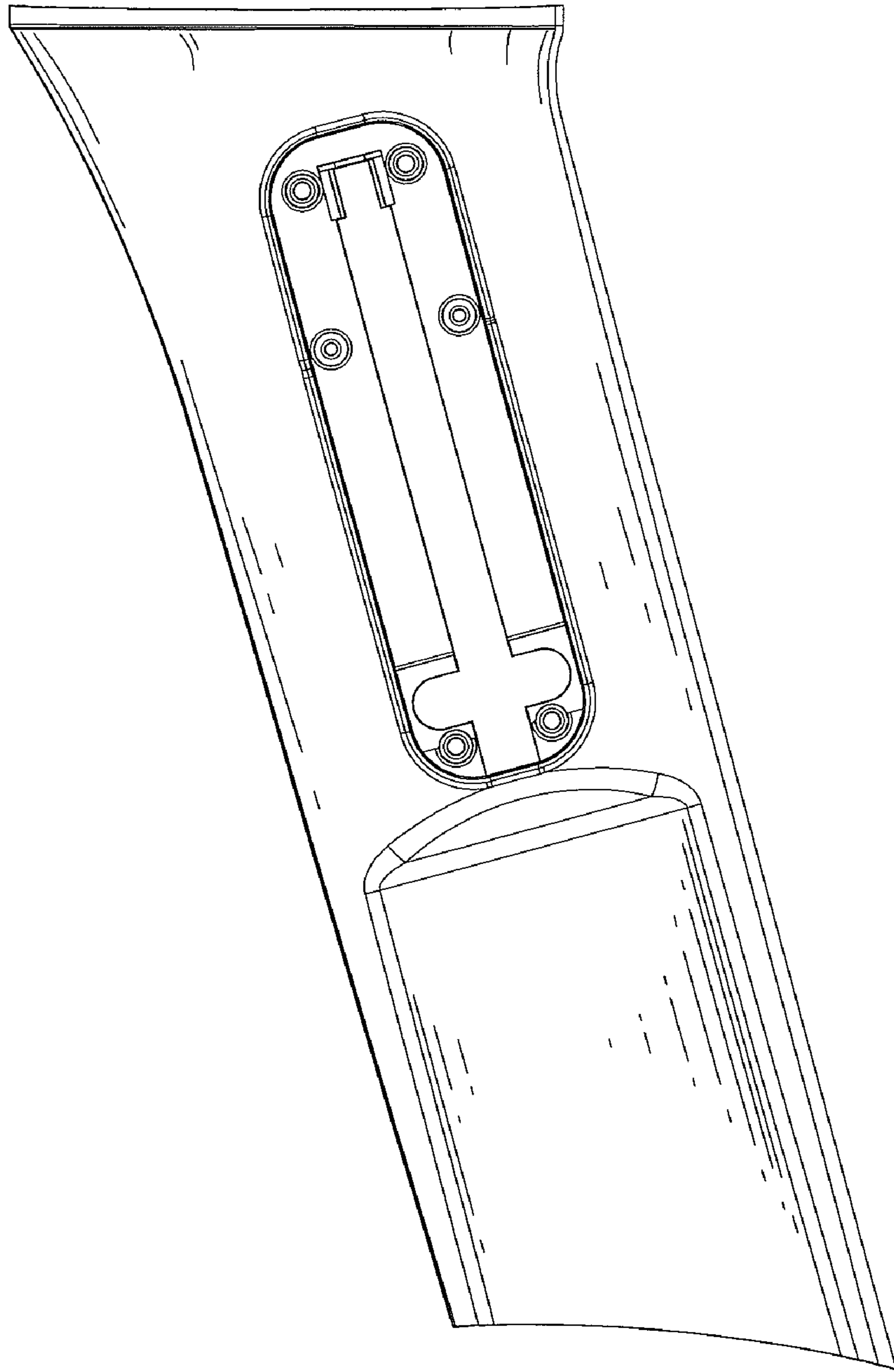


FIG. 4

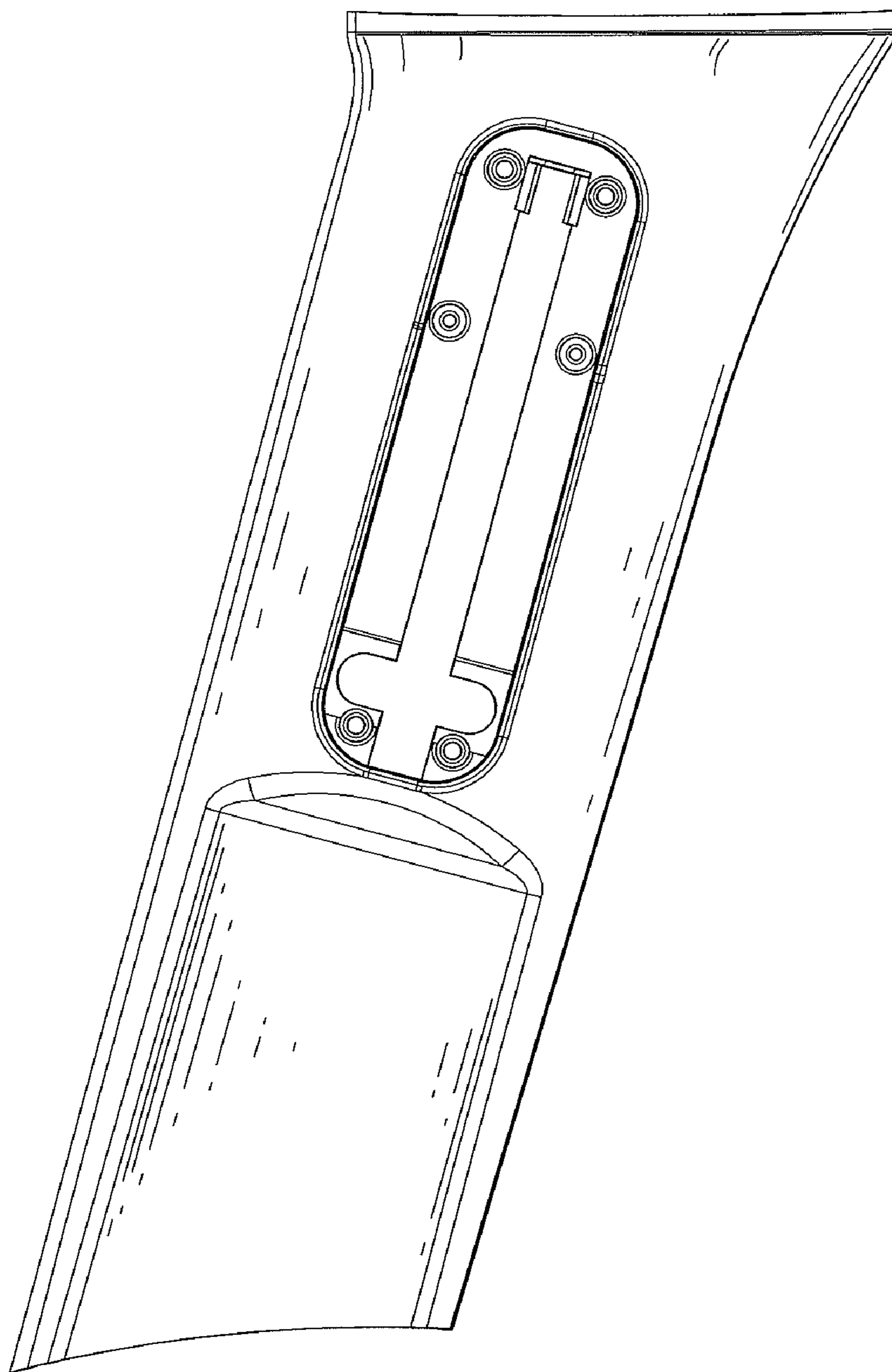


FIG. 5

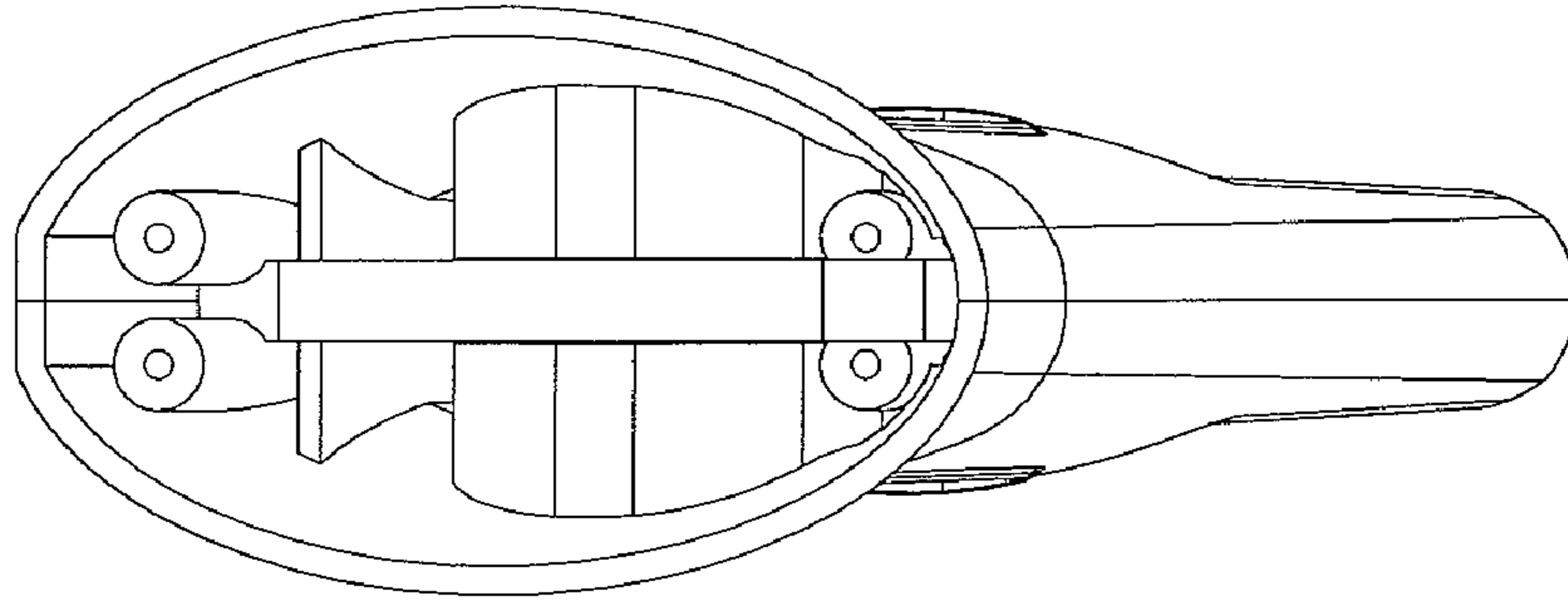


FIG. 6

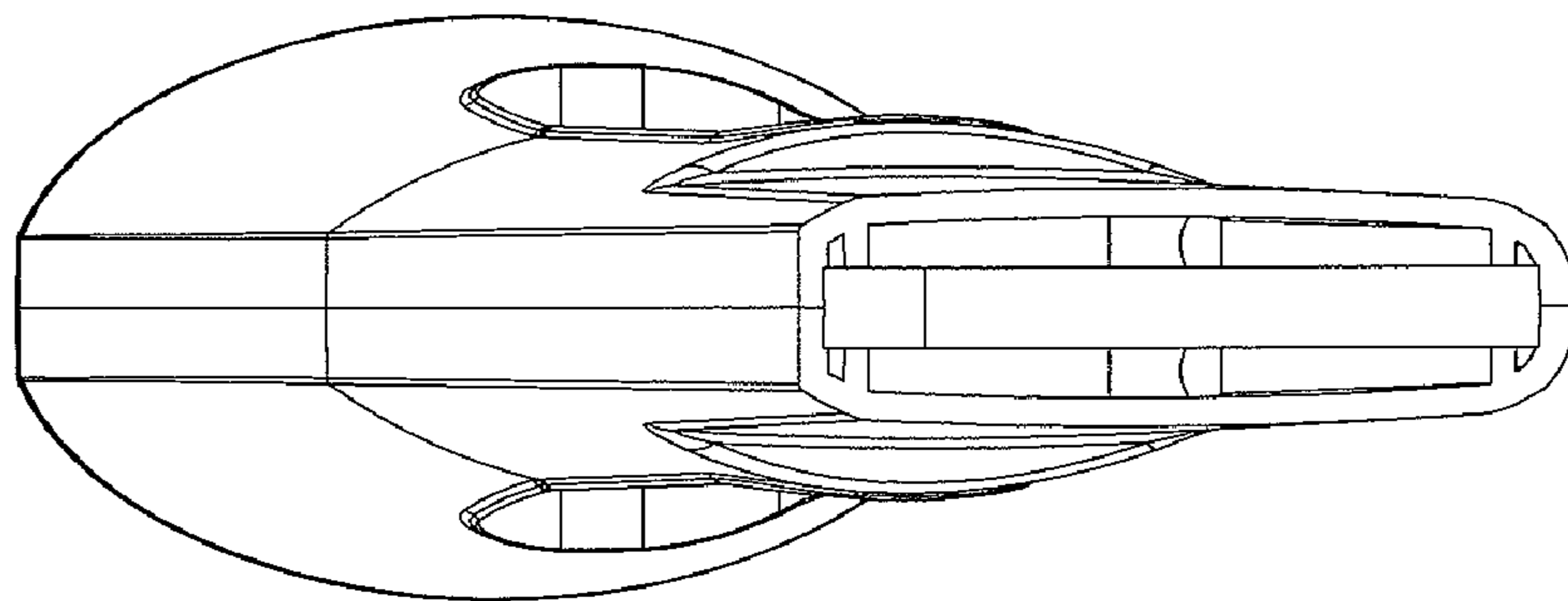


FIG. 7