



US00D670513S

(12) **United States Design Patent**
Haaf et al.

(10) **Patent No.:** **US D670,513 S**

(45) **Date of Patent:** **** Nov. 13, 2012**

(54) **BENCH SUPPORT**

(75) Inventors: **James Haaf**, Odessa, FL (US); **John Gerena**, Tampa, FL (US)

(73) Assignee: **Metropolitan Advertising Company**, Tampa, FL (US)

(**) Term: **14 Years**

(21) Appl. No.: **29/388,113**

(22) Filed: **Mar. 24, 2011**

(51) **LOC (9) Cl.** **06-01**

(52) **U.S. Cl.** **D6/495**

(58) **Field of Classification Search** D6/334–338,
D6/349, 355, 361, 368–370, 376, 379–381,
D6/492, 500–502, 495; 297/16.1, 42, 94,
297/135, 175, 232, 233, 350, 351, 445.1,
297/448.1, 448.2, 451.9; 5/12.1, 12.2

See application file for complete search history.

(56) **References Cited**

U.S. PATENT DOCUMENTS

D294,782 S *	3/1988	Balderi	D6/373
D345,261 S *	3/1994	Chen	D6/370
D458,475 S *	6/2002	Hecht et al.	D6/492
D523,263 S *	6/2006	Skalka	D6/495
D564,802 S *	3/2008	Weimer et al.	D6/492
D572,047 S *	7/2008	Weimer et al.	D6/491
D614,885 S *	5/2010	Haaf, Jr.	D6/381
D629,233 S *	12/2010	Slear et al.	D6/492

* cited by examiner

Primary Examiner — Sandra Snapp

(74) *Attorney, Agent, or Firm* — Harvey S. Kauget; Phelps Dunbar LLP

(57) **CLAIM**

The ornamental design for a bench support, as shown and described.

DESCRIPTION

FIG. 1 is a perspective view of a bench support comprising our design;

FIG. 2 is a front perspective view of a bench support comprising our design;

FIG. 3 is a side view of a bench support comprising our design;

FIG. 4 is a rear view of a bench support comprising our design;

FIG. 5 is a front view of a bench support comprising our design;

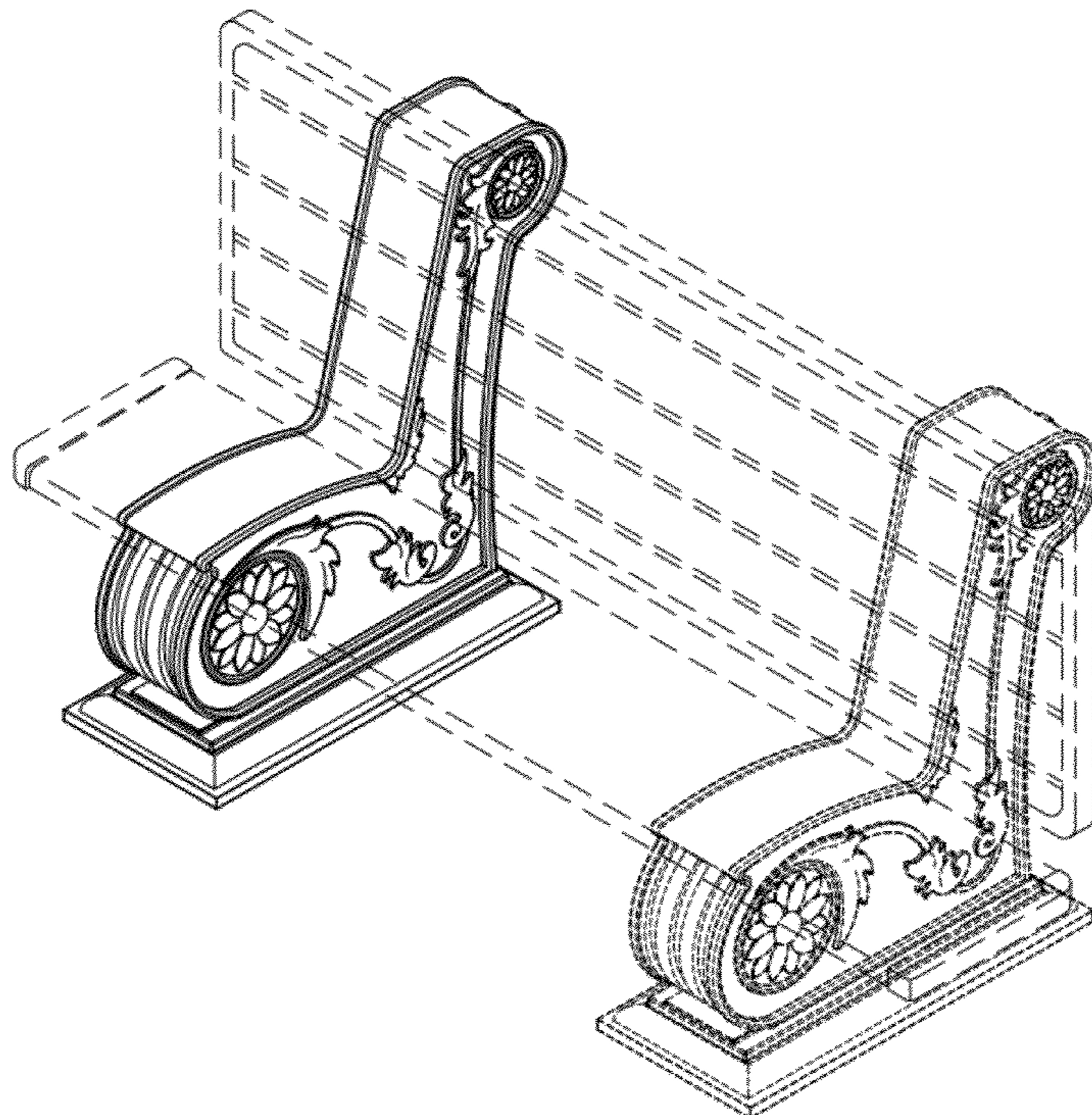
FIG. 6 is a top view of a bench support comprising our design.

FIG. 7 is a bottom view of a bench support comprising our design; and,

FIG. 8. is a rear perspective view of a bench support comprising our design.

The broken line showing of the bench back, bench seat and second bench support in FIG. 1 is included for the purpose of illustrating environmental structure and forms no part of the claimed design.

1 Claim, 6 Drawing Sheets



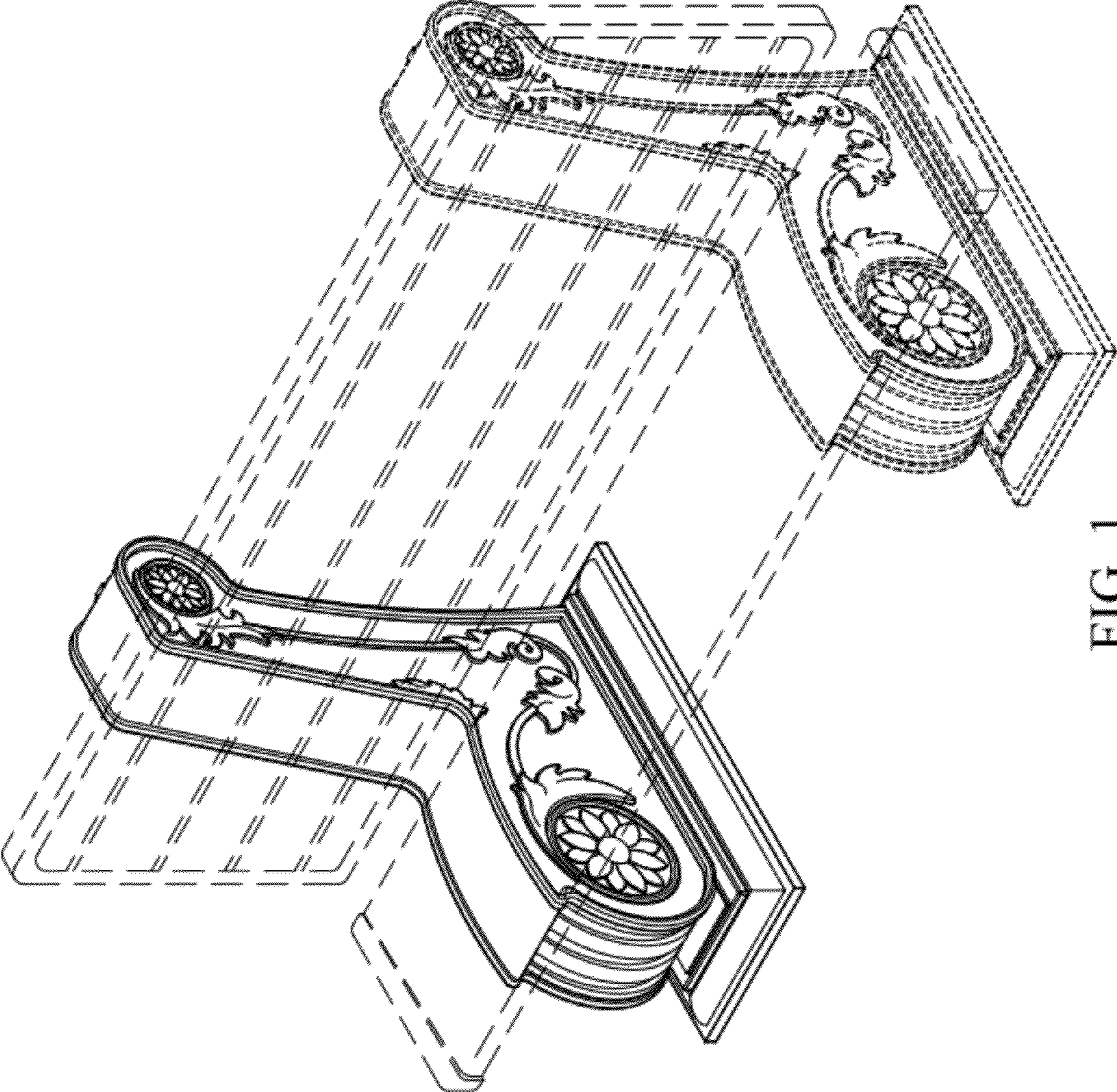


FIG. 1

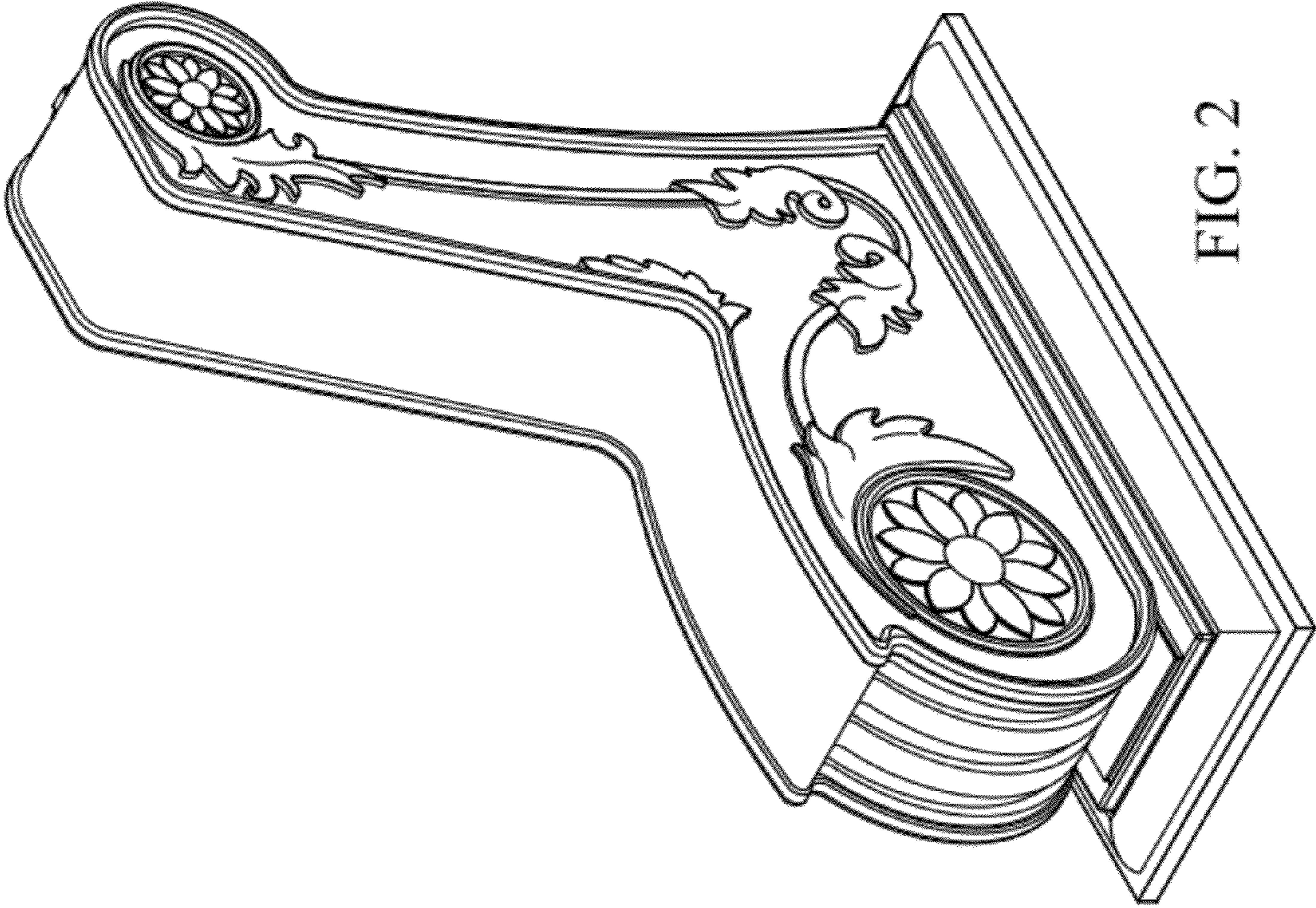


FIG. 2

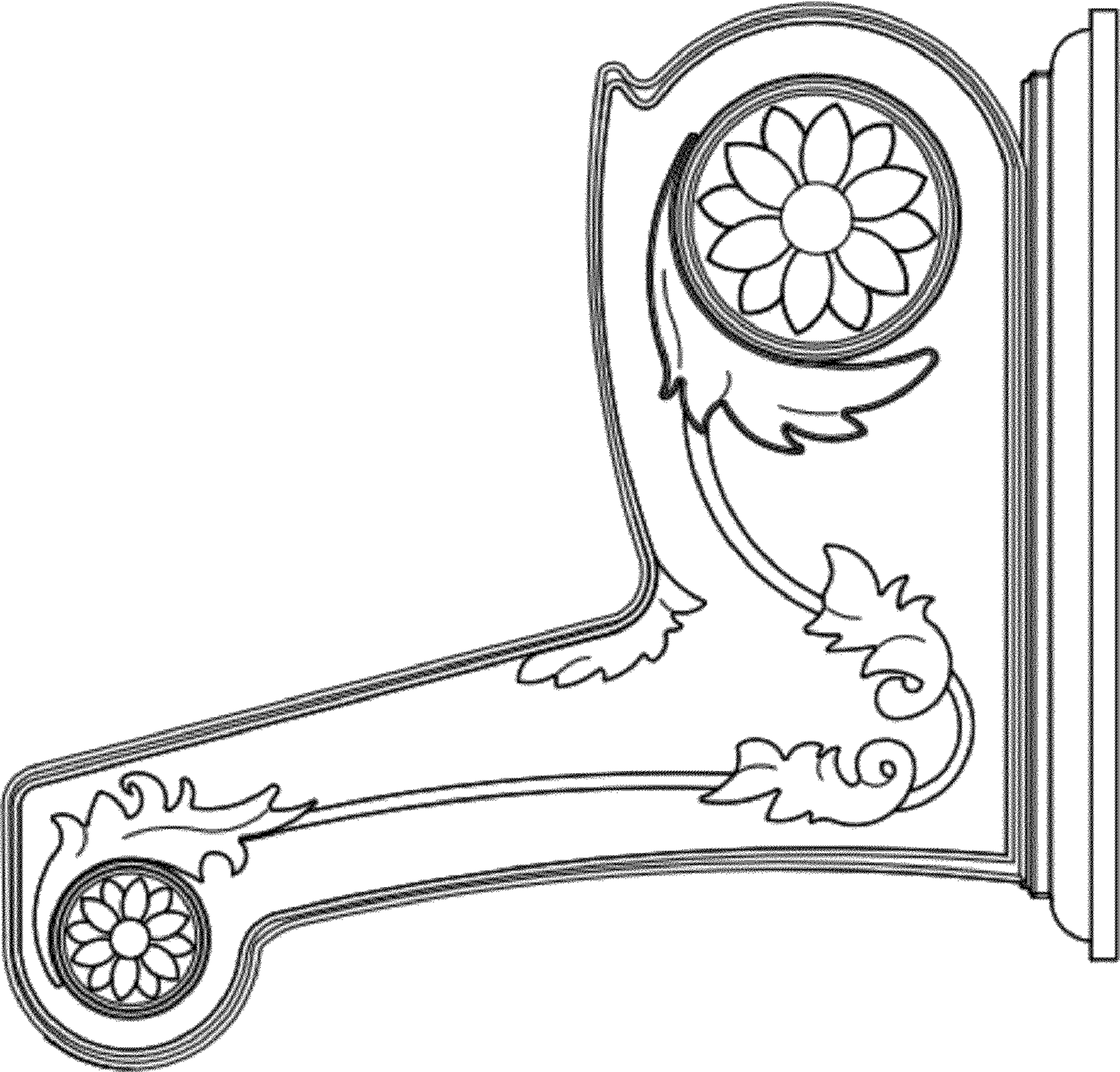


FIG. 3

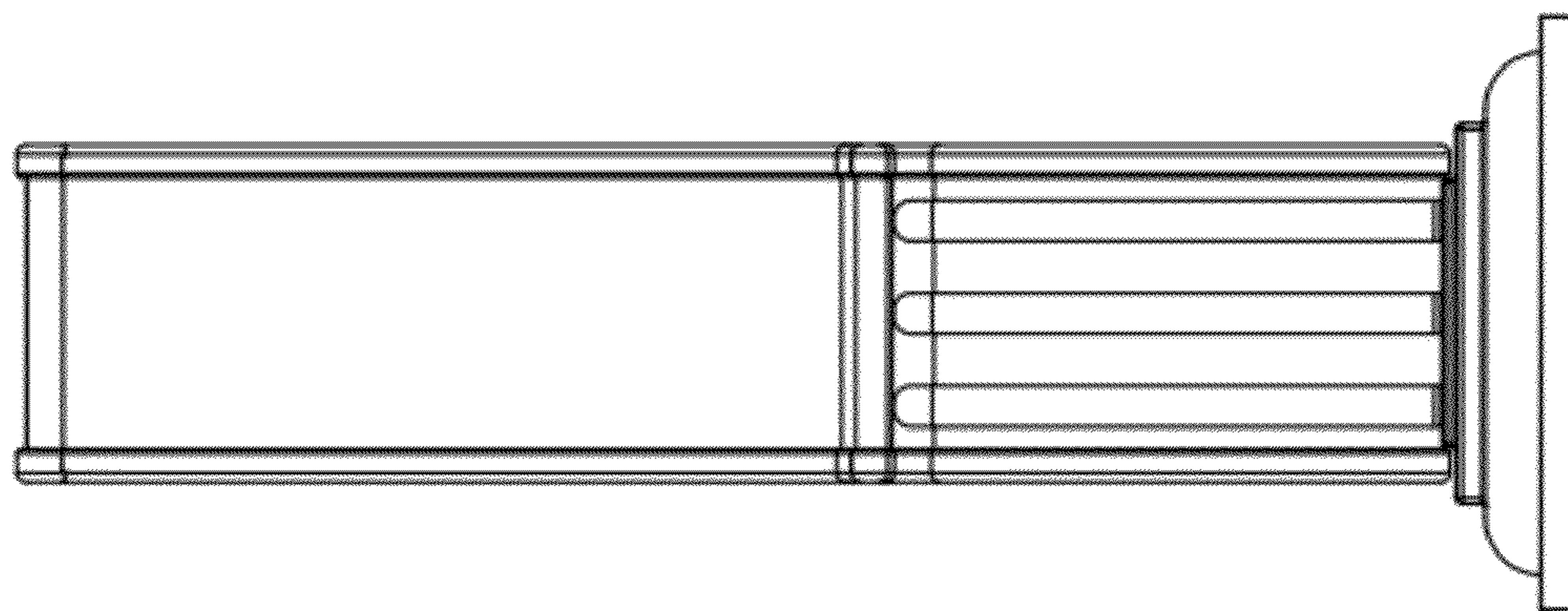


FIG. 5

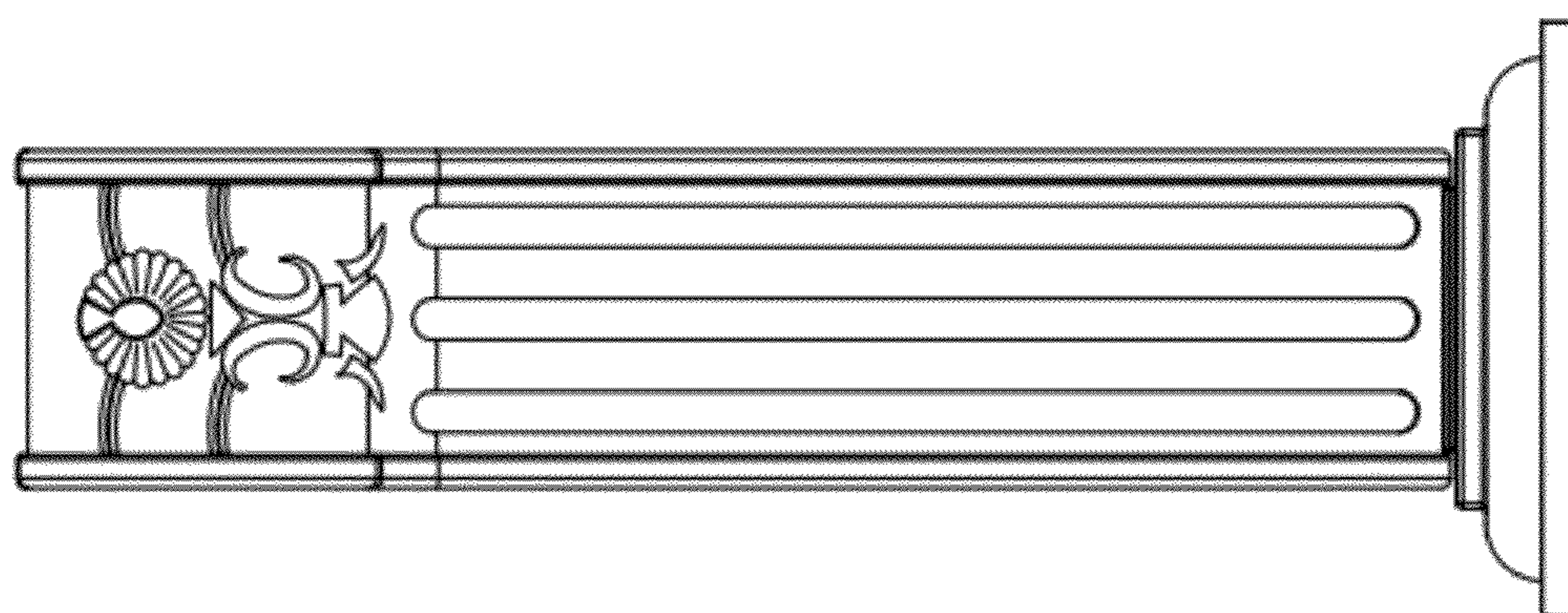


FIG. 4



FIG. 7

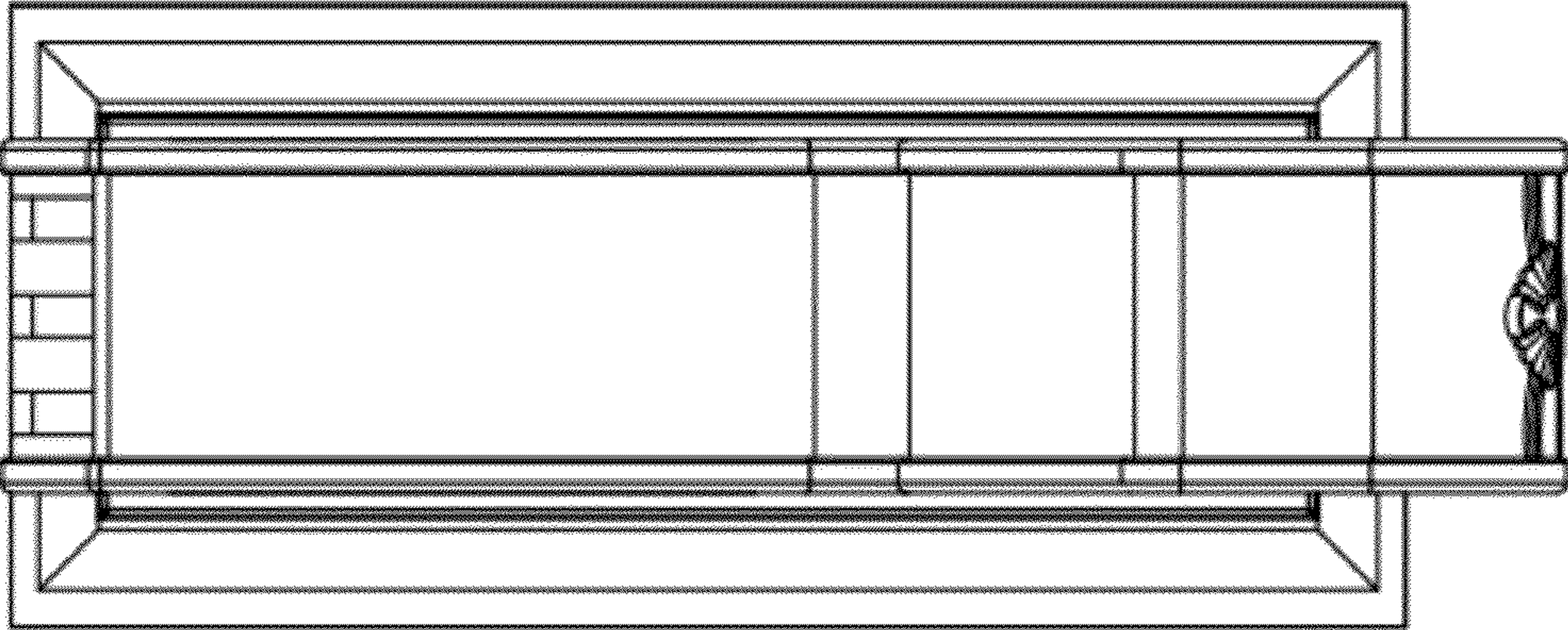


FIG. 6

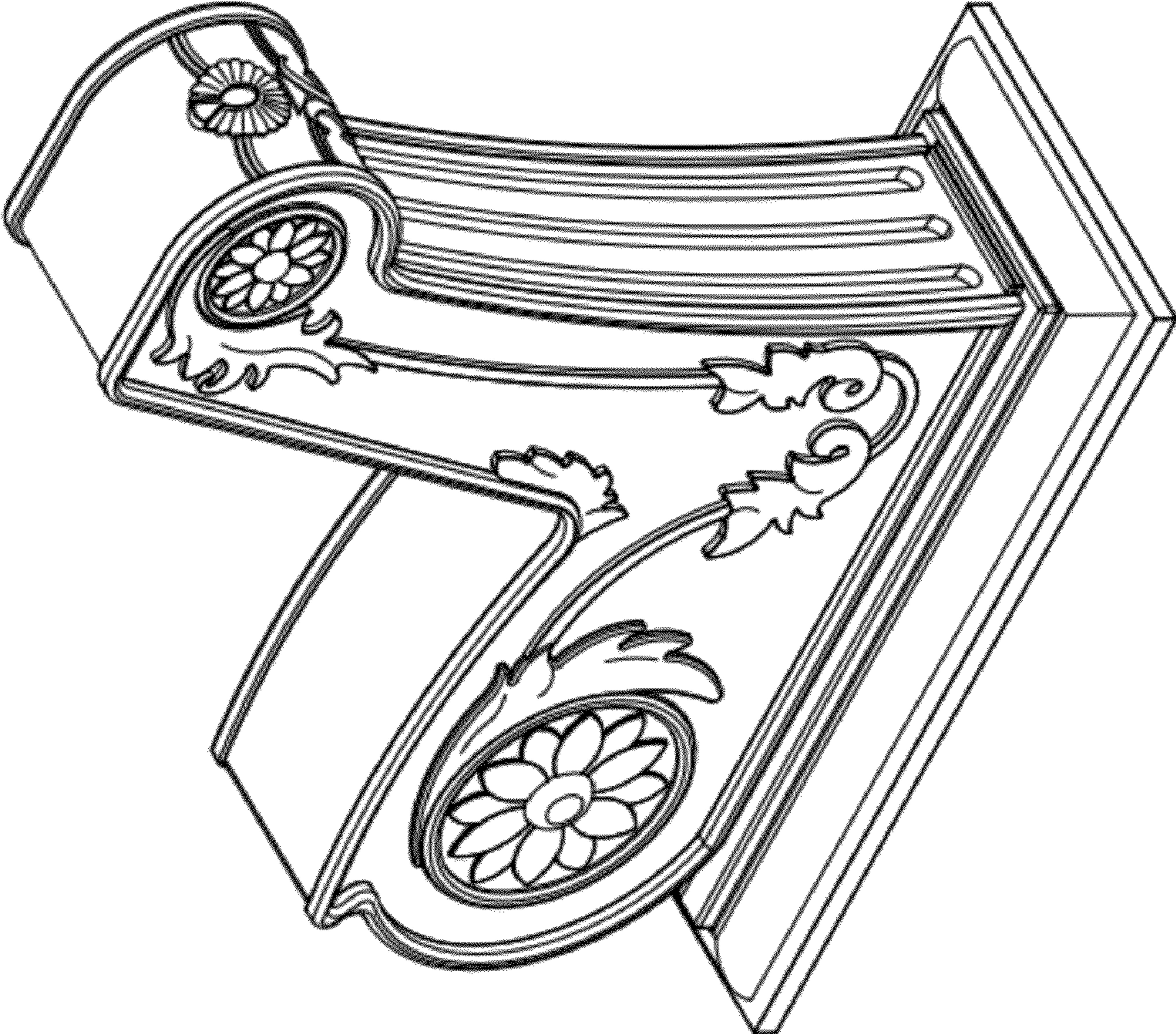


FIG. 8