



US00D670500S

(12) **United States Design Patent**  
**Sosnovsky**

(10) **Patent No.:** **US D670,500 S**

(45) **Date of Patent:** **\*\* Nov. 13, 2012**

(54) **OPEN TOTE TOOL BAG**

(75) Inventor: **David Sosnovsky**, Tel Aviv (IL)

(73) Assignee: **The Stanley Works Israel Ltd.**, Rosh Ha' Ayin (IL)

(\*\*) Term: **14 Years**

(21) Appl. No.: **29/387,765**

(22) Filed: **Mar. 17, 2011**

(51) **LOC (9) Cl.** ..... **03-01**

(52) **U.S. Cl.** ..... **D3/304**

(58) **Field of Classification Search** ..... D3/20,  
D3/26, 201, 304, 307-311, 315, 318-319,  
D3/321-322, 905; 206/1.7-1.9, 372-373

See application file for complete search history.

(56) **References Cited**

**U.S. PATENT DOCUMENTS**

D273,207	S	*	3/1984	Clanton	.....	D3/309
D327,562	S	*	6/1992	Brightbill	.....	D3/308
D346,682	S	*	5/1994	Trovato	.....	D3/308
D420,221	S	*	2/2000	Williams et al.	.....	D3/315
6,126,003	A	*	10/2000	Brouard	.....	206/372
D474,891	S	*	5/2003	Huang	.....	D3/309
6,571,998	B2	*	6/2003	Godshaw et al.	.....	224/607
6,810,933	B2	*	11/2004	Gordon et al.	.....	150/112
D502,599	S	*	3/2005	Cabana et al.	.....	D3/292
D553,362	S	*	10/2007	Godshaw et al.	.....	D3/310
7,314,126	B2	*	1/2008	Godshaw et al.	.....	190/18 A
7,314,133	B2	*	1/2008	Redzisz	.....	206/373
D613,507	S	*	4/2010	Brouard	.....	D3/315
D614,404	S	*	4/2010	Brunner	.....	D3/304

D616,202	S	*	5/2010	Whitlock et al.	.....	D3/306
D624,319	S	*	9/2010	Riedel et al.	.....	D3/313
D635,769	S	*	4/2011	Sosnovsky	.....	D3/304
D647,301	S	*	10/2011	Sosnovsky	.....	D3/283
D649,352	S	*	11/2011	Cittadino et al.	.....	D3/306
2008/0179370	A1	*	7/2008	Williams	.....	224/682
2008/0230416	A1	*	9/2008	Brouard	.....	206/372

\* cited by examiner

*Primary Examiner* — Kelley Donnelly

(74) *Attorney, Agent, or Firm* — Pillsbury Winthrop Shaw Pittman LLP

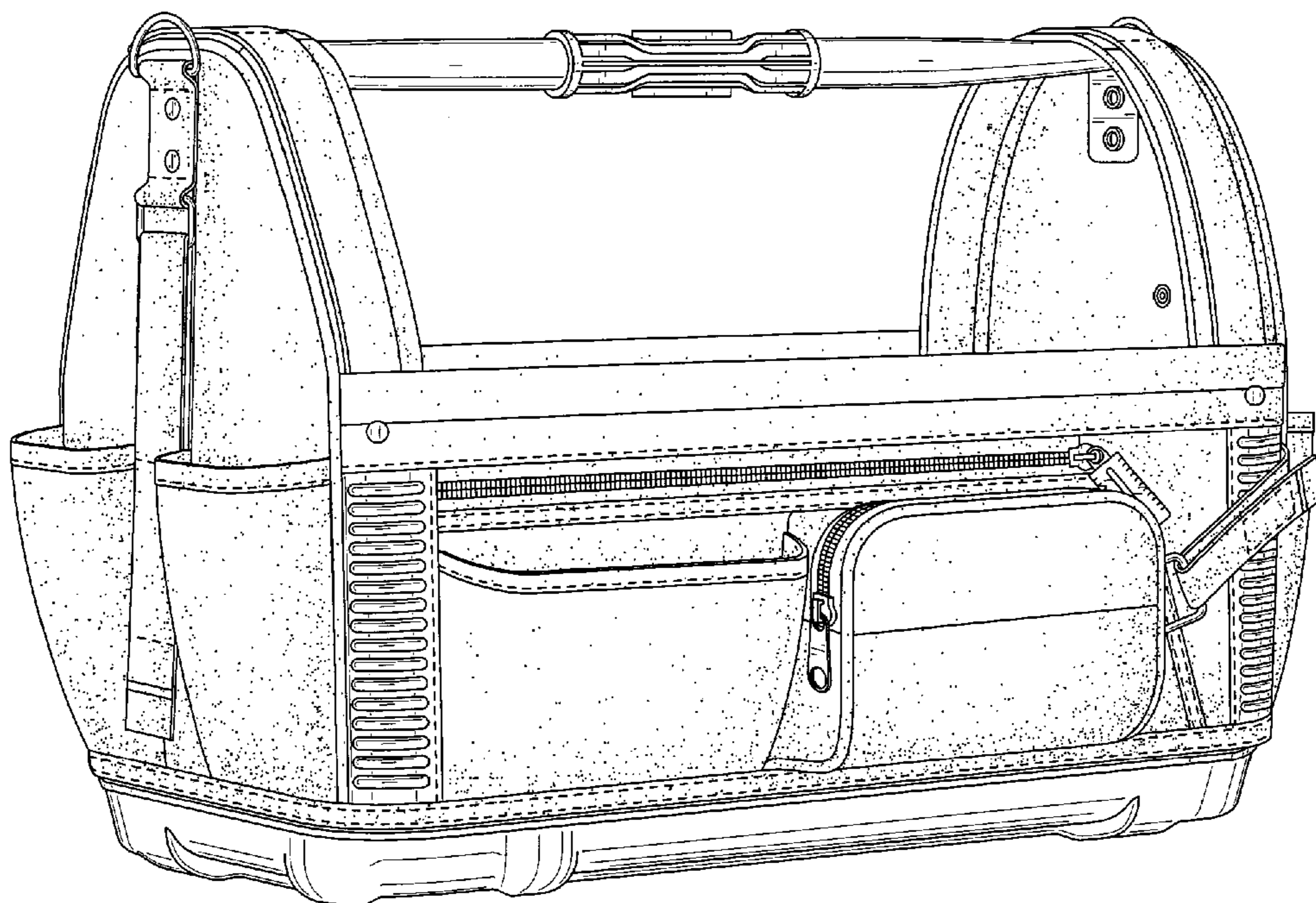
(57) **CLAIM**

The ornamental design for an open tote tool bag, as shown and described.

**DESCRIPTION**

FIG. 1 is a front isometric view according to my design; FIG. 2 is a front plan view of the design of FIG. 1; FIG. 3 is a rear plan view of the design of FIG. 1; FIG. 4 is a right plan view of the design of FIG. 1; FIG. 5 is a left plan view of the design of FIG. 1; FIG. 6 is a top plan view of the design of FIG. 1; FIG. 7 is a bottom plan view of the design of FIG. 1; and, FIG. 8 is a rear isometric view according to my design. Where included, broken lines showing environment or structure are for illustrative purposes only and form no part of the claimed design. The dashed lines represent stitching and do form a part of the claimed design.

**1 Claim, 8 Drawing Sheets**



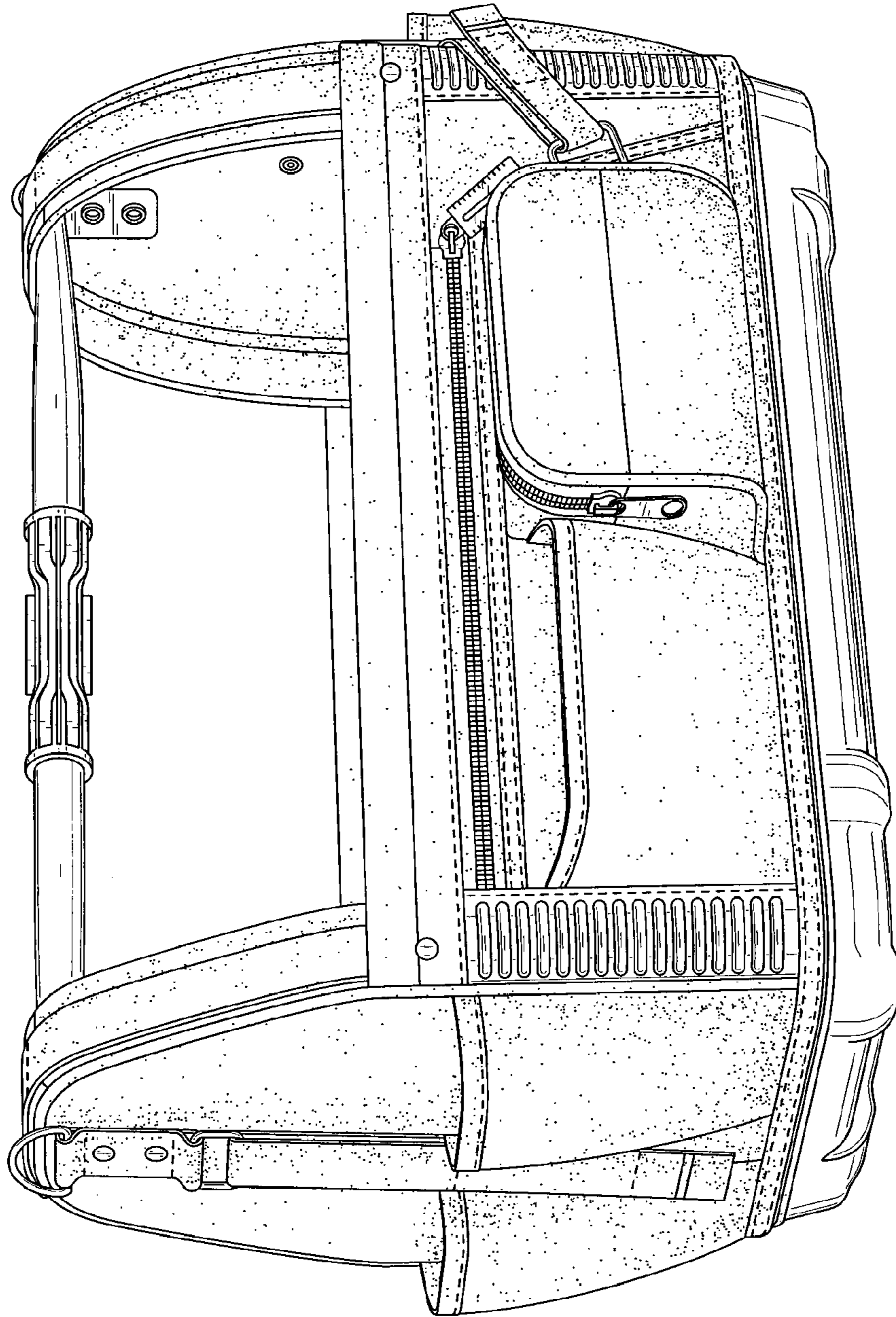


FIG. 1

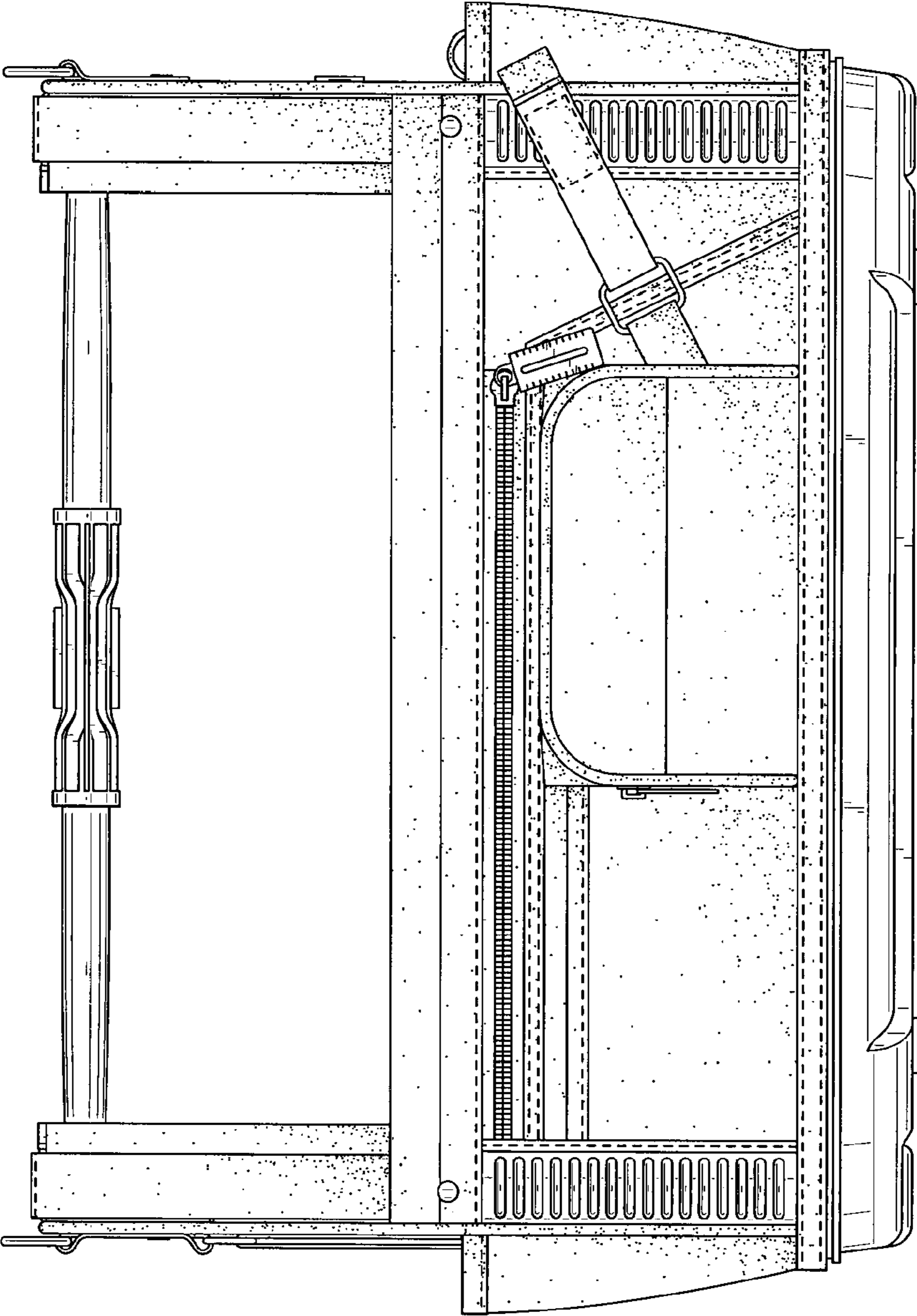


FIG. 2

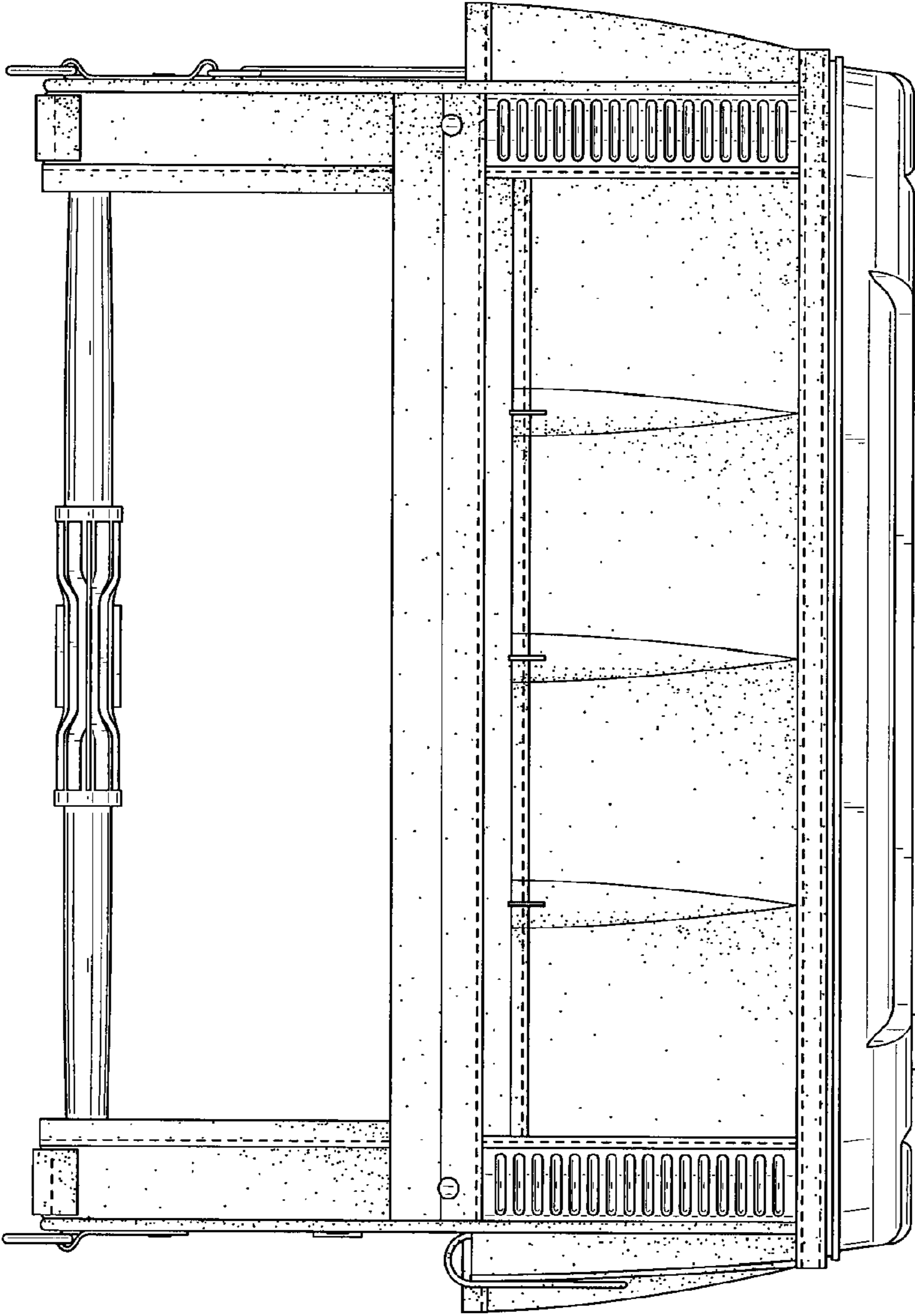


FIG. 3

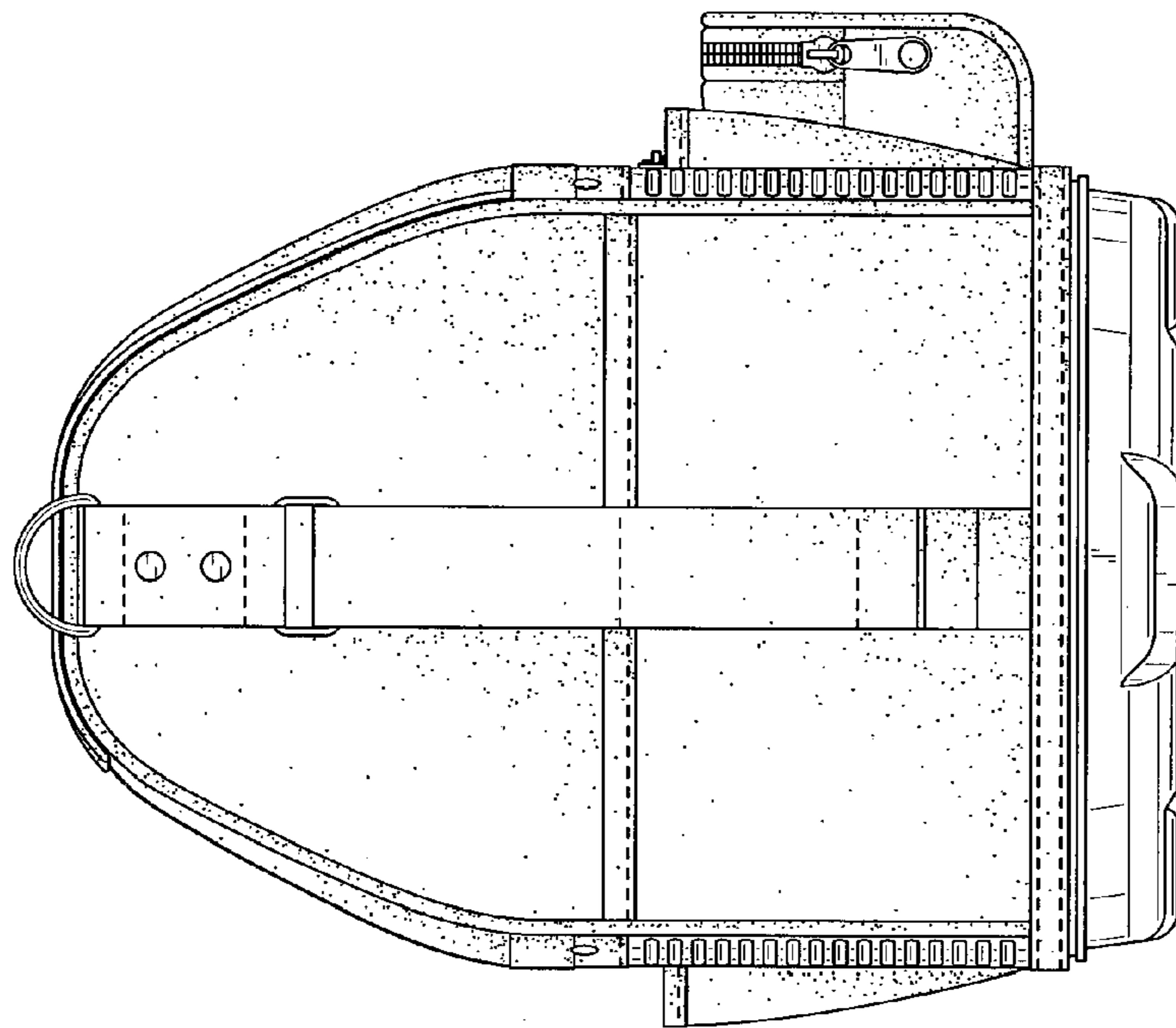


FIG. 4

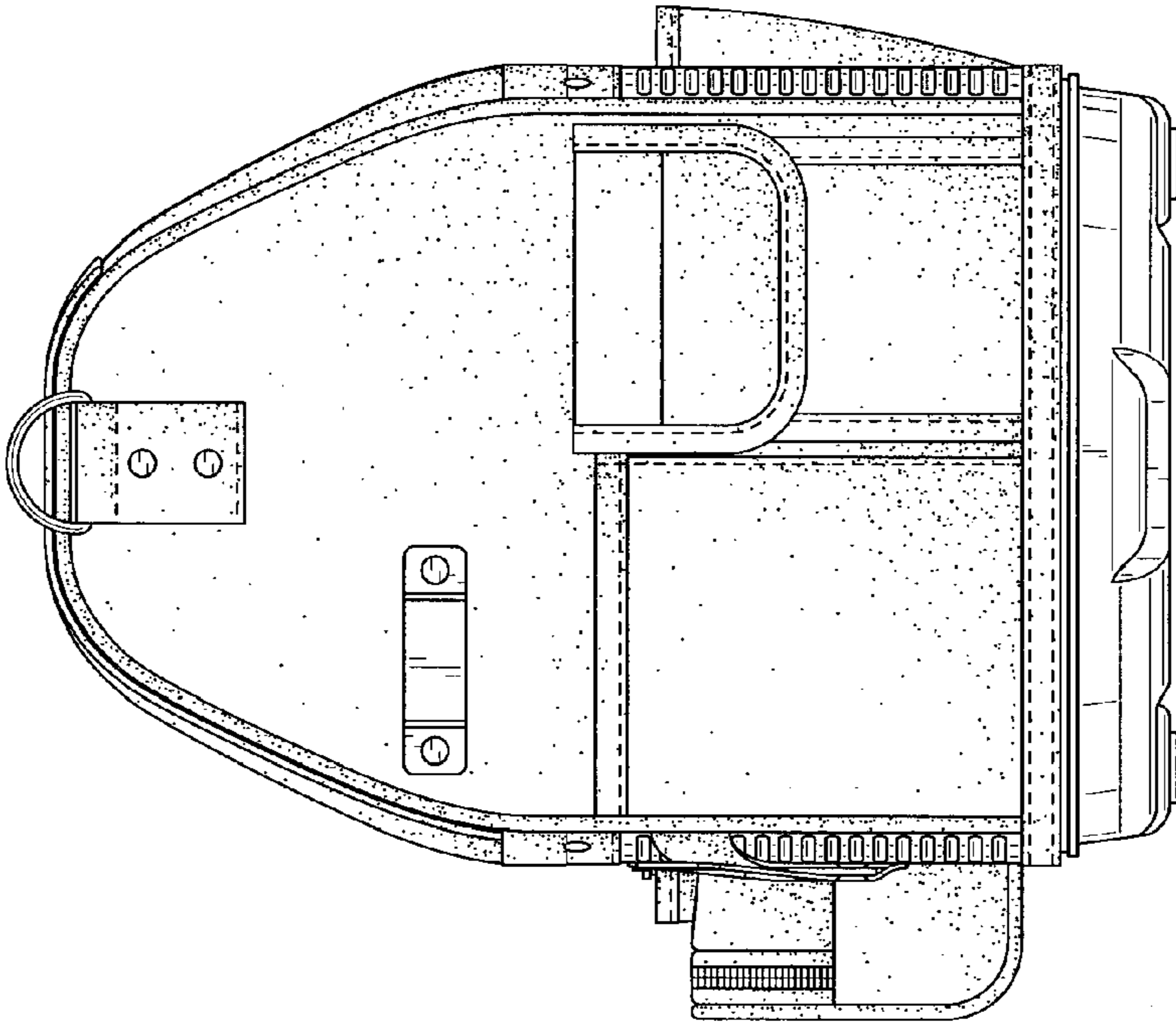


FIG. 5

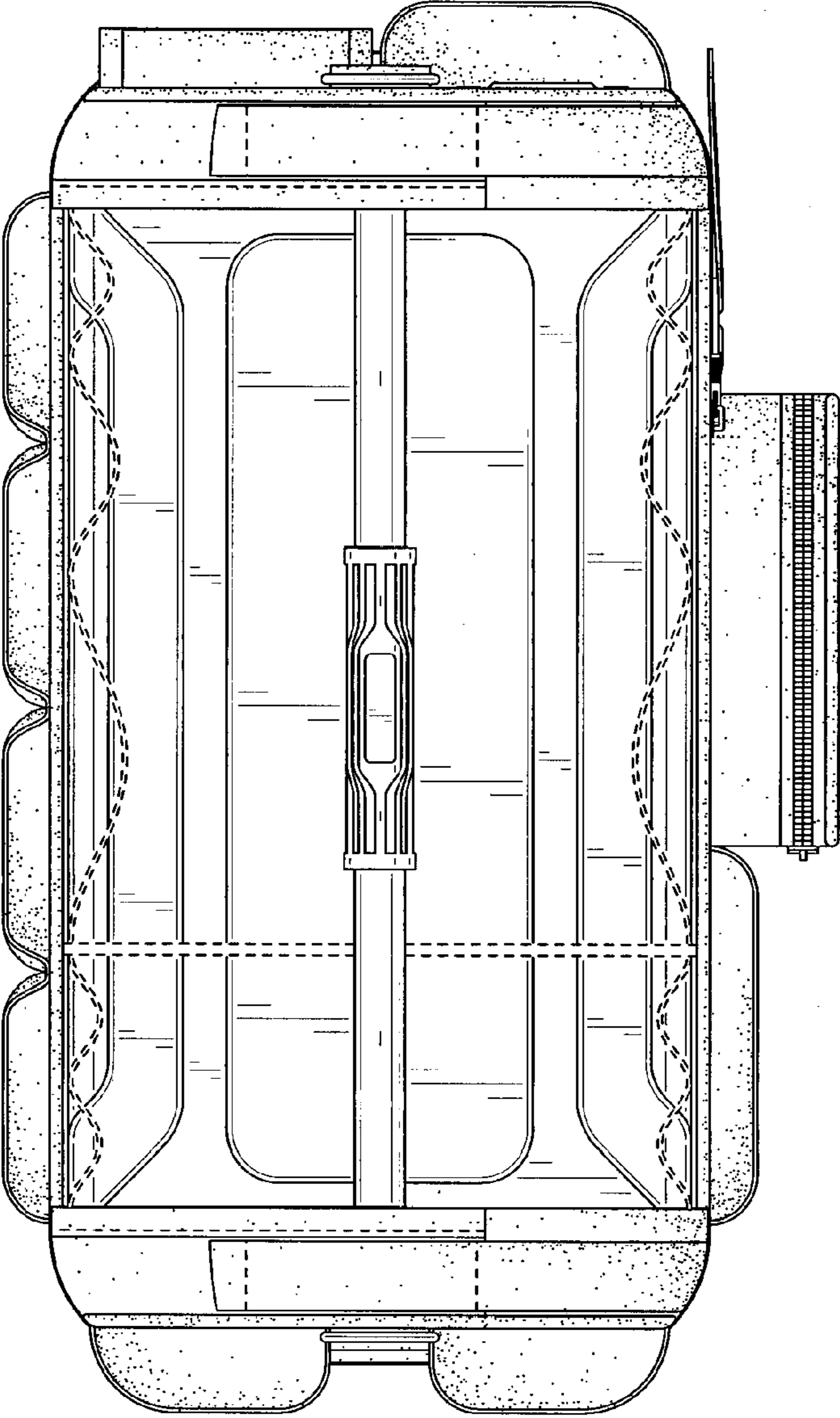


FIG. 6

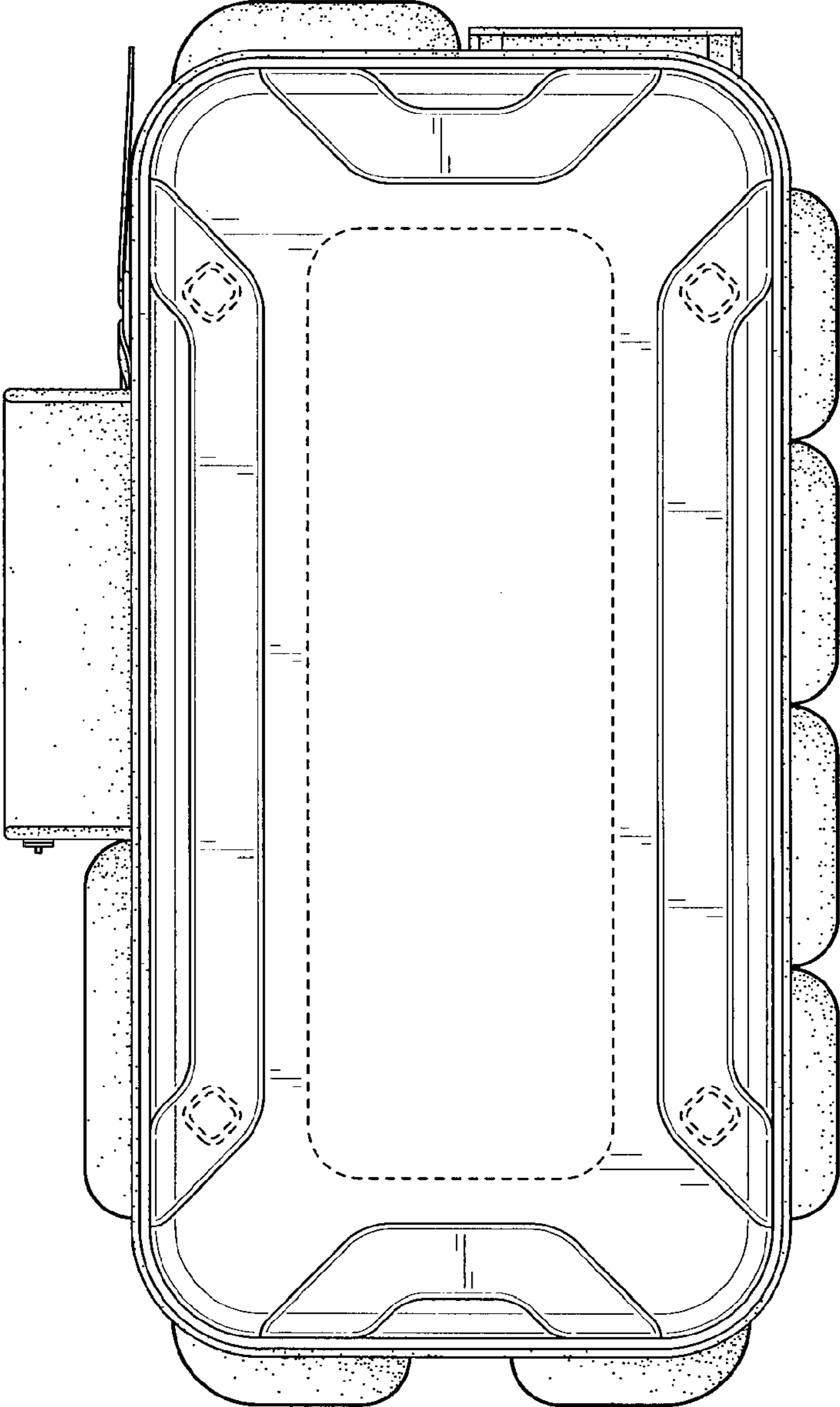


FIG. 7



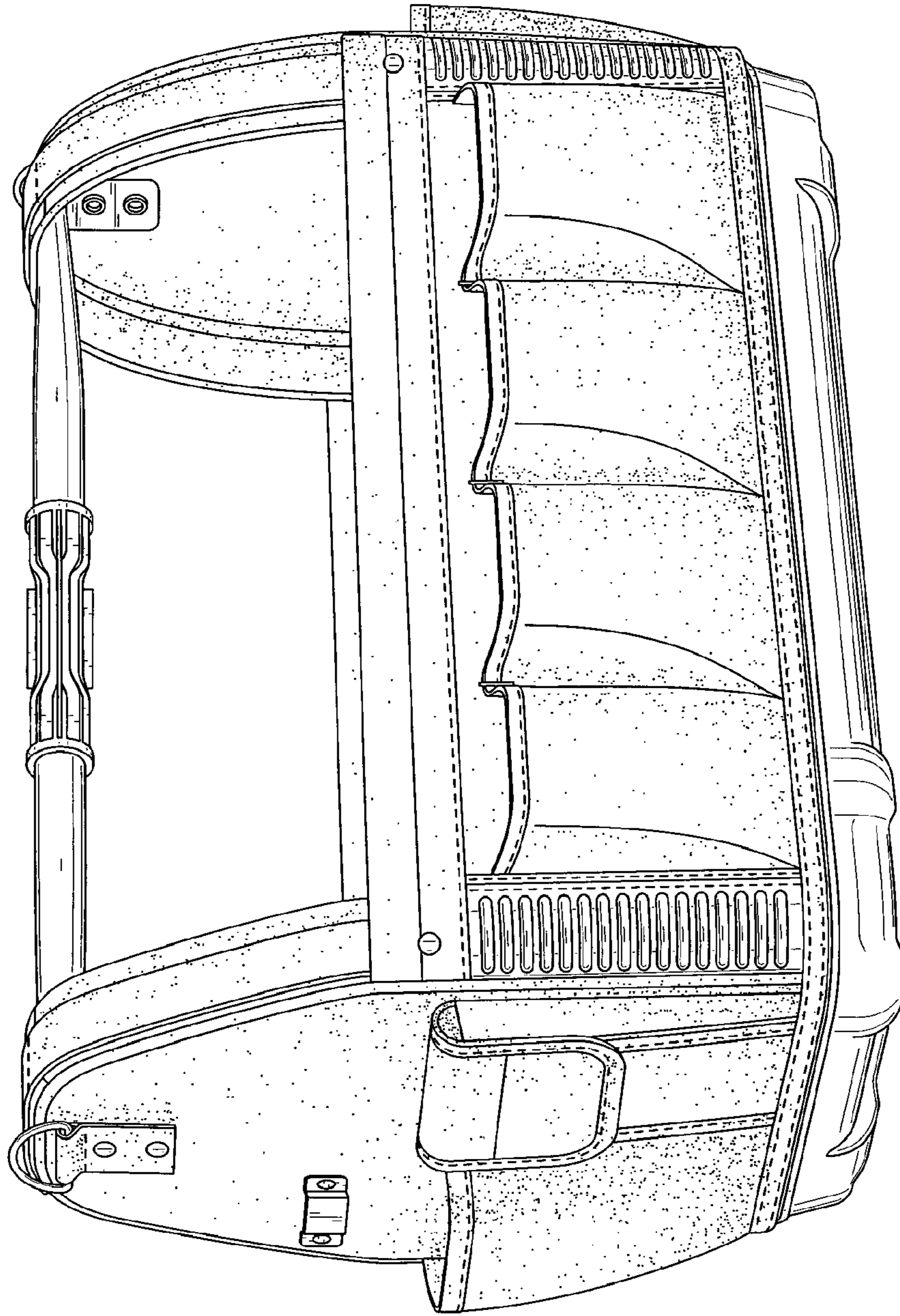


FIG. 8