



US00D670499S

(12) **United States Design Patent**
Akana et al.

(10) **Patent No.:** **US D670,499 S**

(45) **Date of Patent:** **** Nov. 13, 2012**

(54) **CASE**

(75) Inventors: **Jody Akana**, San Francisco, CA (US);
Bartley K. Andre, Menlo Park, CA (US);
Jeremy Bataillou, San Francisco, CA (US);
Daniel J. Coster, San Francisco, CA (US);
Daniele De Iuliis, San Francisco, CA (US);
Evans Hankey, San Francisco, CA (US);
Richard P. Howarth, San Francisco, CA (US);
Jonathan P. Ive, San Francisco, CA (US);
Duncan Robert Kerr, San Francisco, CA (US);
Shin Nishibori, Kailua, HI (US);
Matthew Dean Rohrbach, San Francisco, CA (US);
Peter Russell-Clarke, San Francisco, CA (US);
Christopher J. Stringer, Woodside, CA (US);
Eugene Antony Whang, San Francisco, CA (US);
Rico Zorkendorfer, San Francisco, CA (US)

(73) Assignee: **Apple Inc.**, Cupertino, CA (US)

(**) Term: **14 Years**

(21) Appl. No.: **29/419,029**

(22) Filed: **Apr. 24, 2012**

Related U.S. Application Data

(63) Continuation of application No. 29/404,059, filed on Oct. 14, 2011, now Pat. No. Des. 658,880, which is a continuation of application No. 29/391,992, filed on May 16, 2011, now Pat. No. Des. 649,785, which is a continuation of application No. 29/353,322, filed on Jan. 6, 2010, now Pat. No. Des. 637,814.

(51) **LOC (9) Cl.** **03-01**

(52) **U.S. Cl.** **D3/303**

(58) **Field of Classification Search** D3/303,
D3/247-253; D19/27; 150/130-132, 136-138
See application file for complete search history.

(56) **References Cited**

U.S. PATENT DOCUMENTS

D39,344 S	6/1908	Schoettle	
3,655,456 A *	4/1972	Hamel	429/65
D283,950 S *	5/1986	Markowitz	D3/247
5,145,068 A	9/1992	Schmitz et al.	
D519,559 S *	4/2006	Mehta	D19/26
D599,400 S *	9/2009	Lapsker	D19/26

* cited by examiner

Primary Examiner — Holly Baynham

(74) *Attorney, Agent, or Firm* — Sterne, Kessler, Goldstein & Fox PLLC

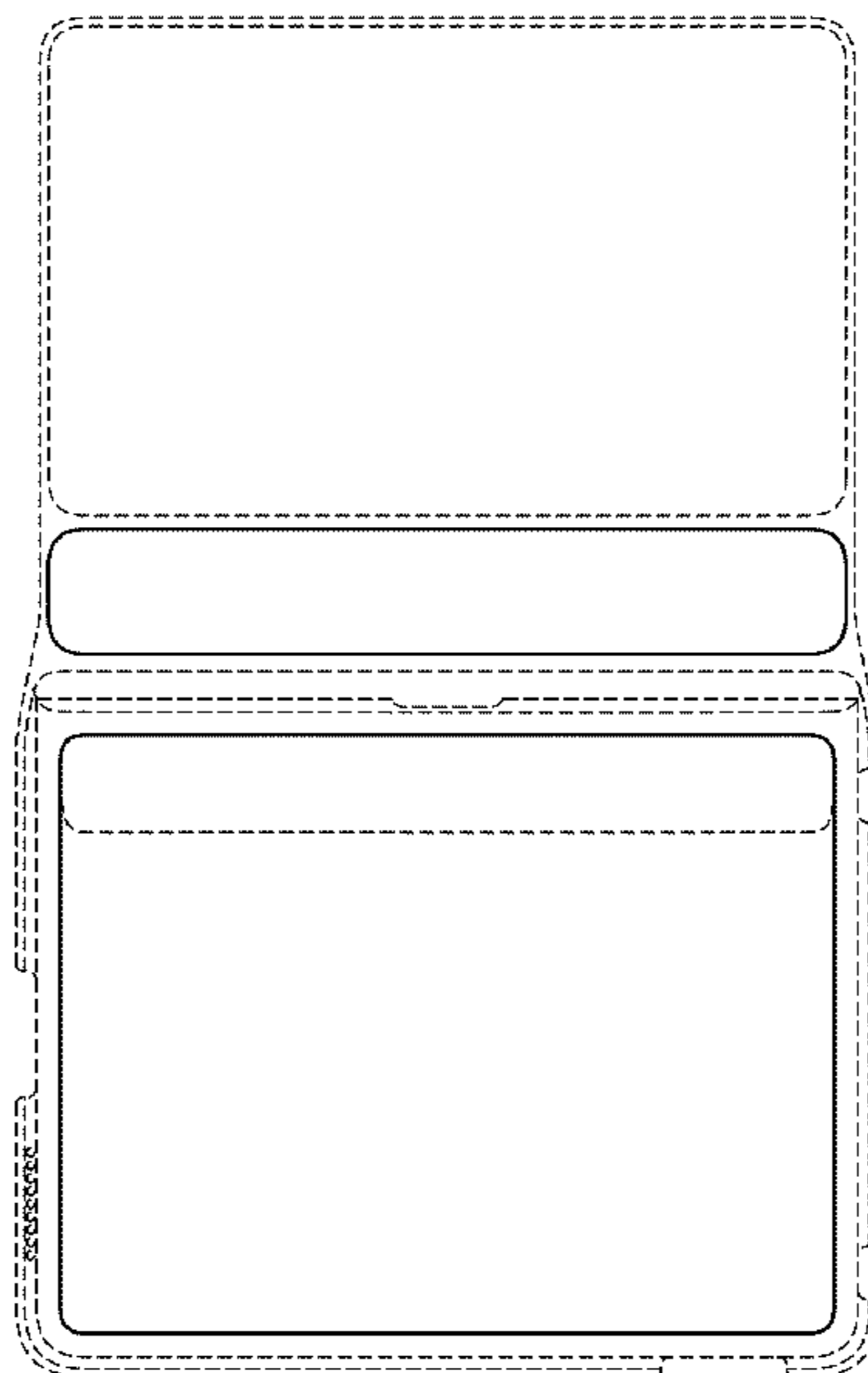
(57) **CLAIM**

The ornamental design for a case, as shown and described.

DESCRIPTION

FIG. 1 is a top plan view of a case showing our new design. The case is shown in an open position;
FIG. 2 is another top plan view thereof with the unclaimed flap in a closed position;
FIG. 3 is a rear view thereof; and,
FIG. 4 is a front perspective view thereof showing the case in a closed position.
The broken lines showing portions of the case are for the purposes of illustrating environment and form no part of the claimed design.

1 Claim, 2 Drawing Sheets



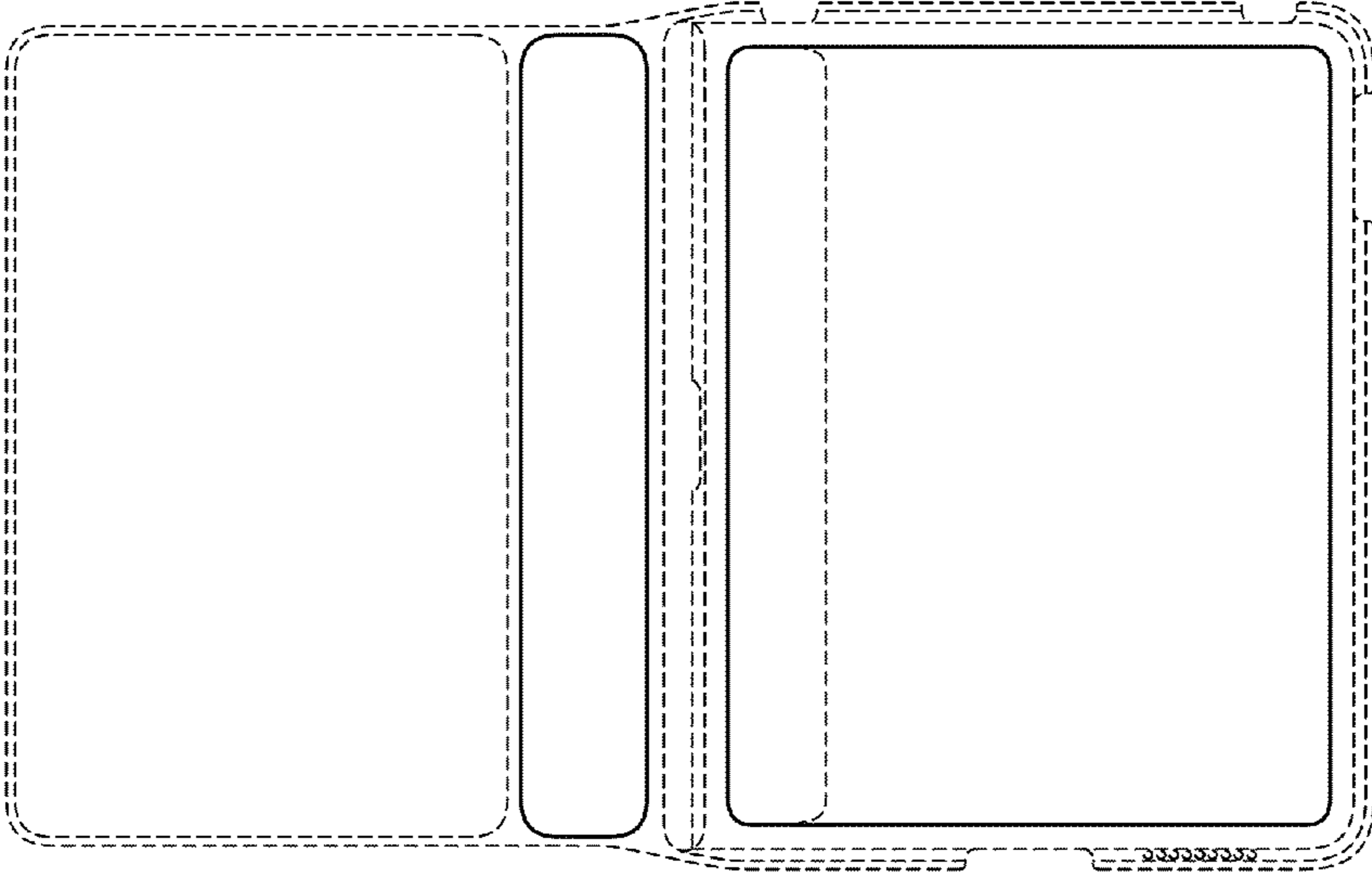


FIG. 2

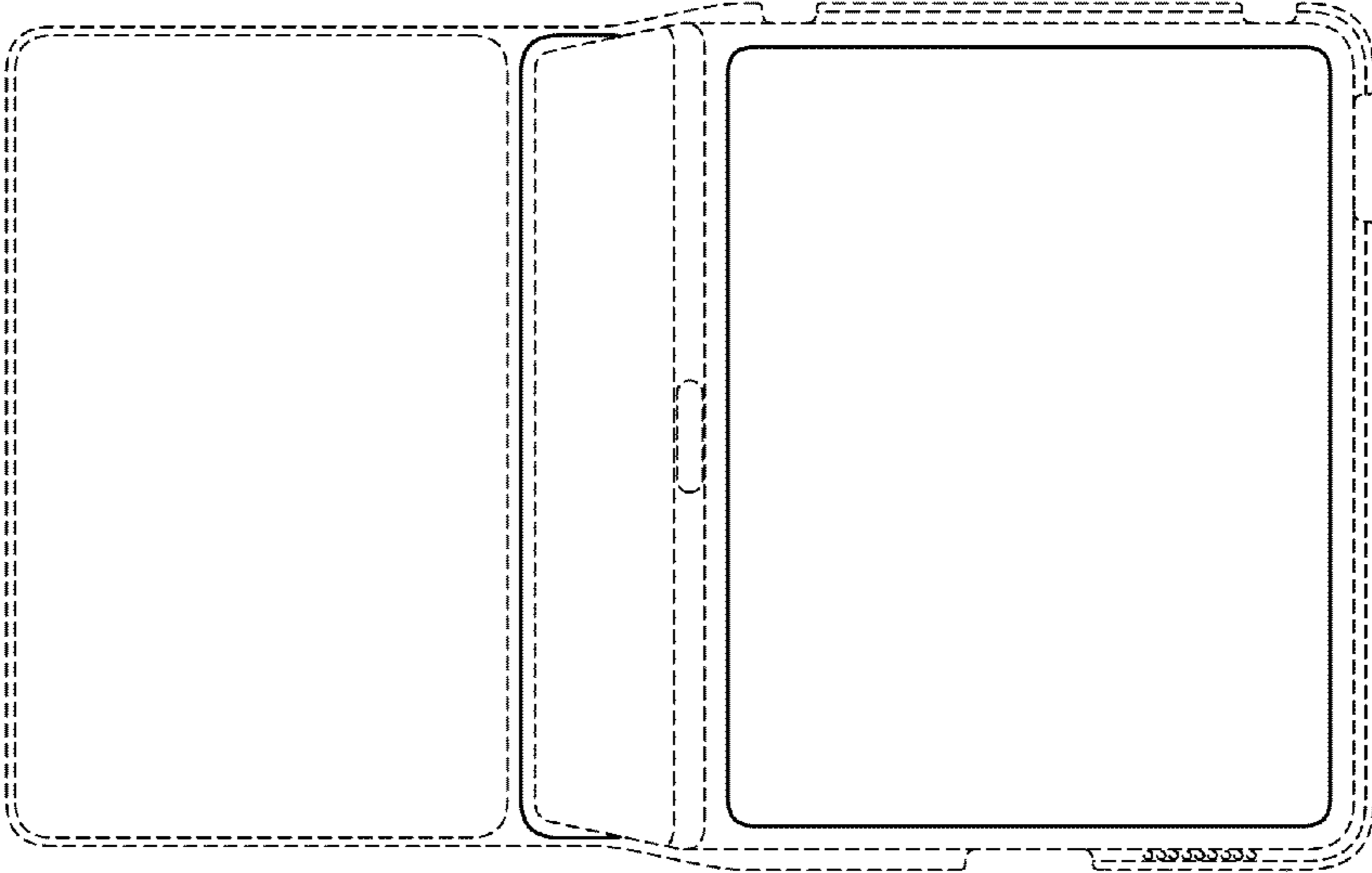


FIG. 1

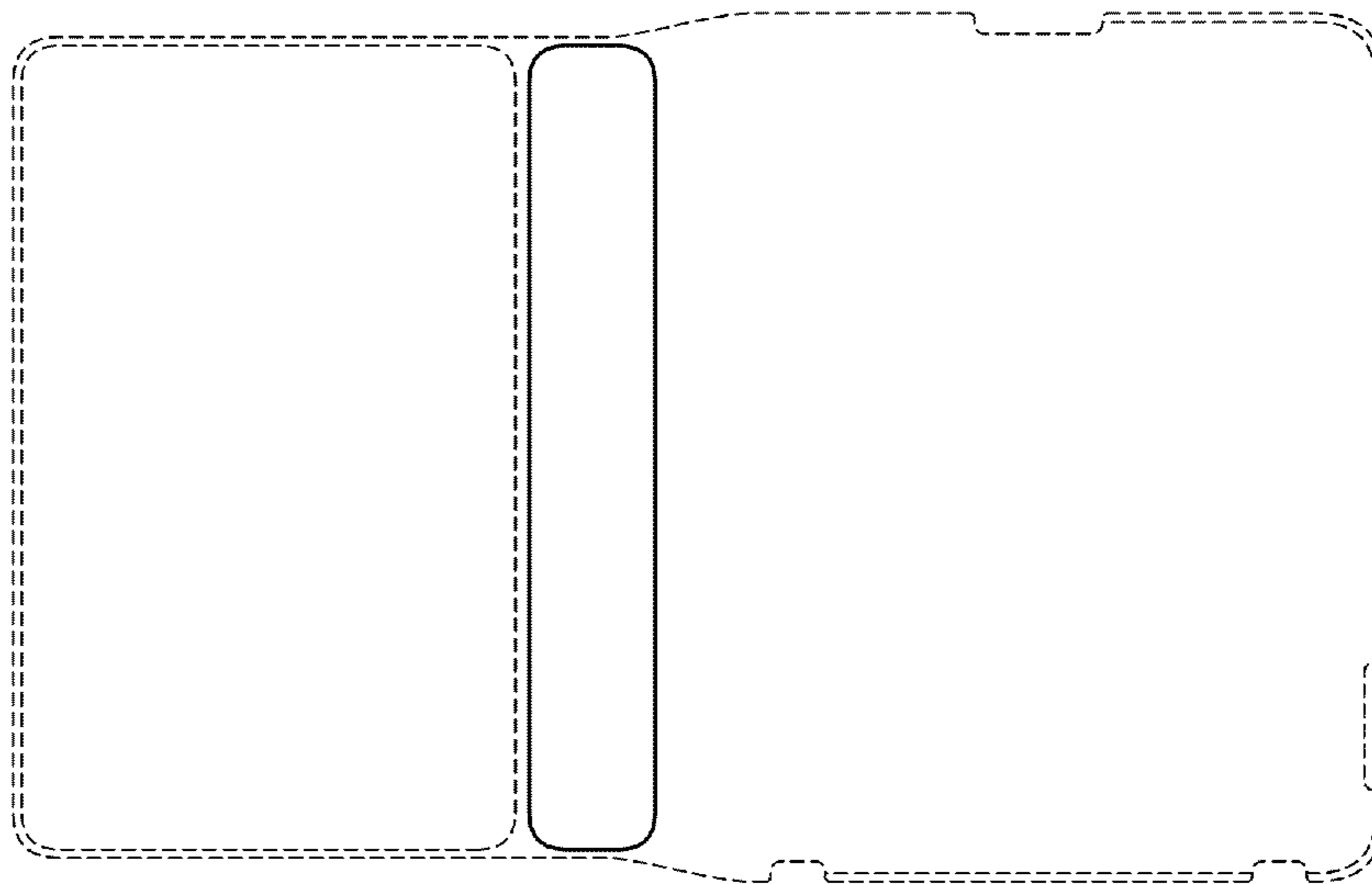


FIG. 3

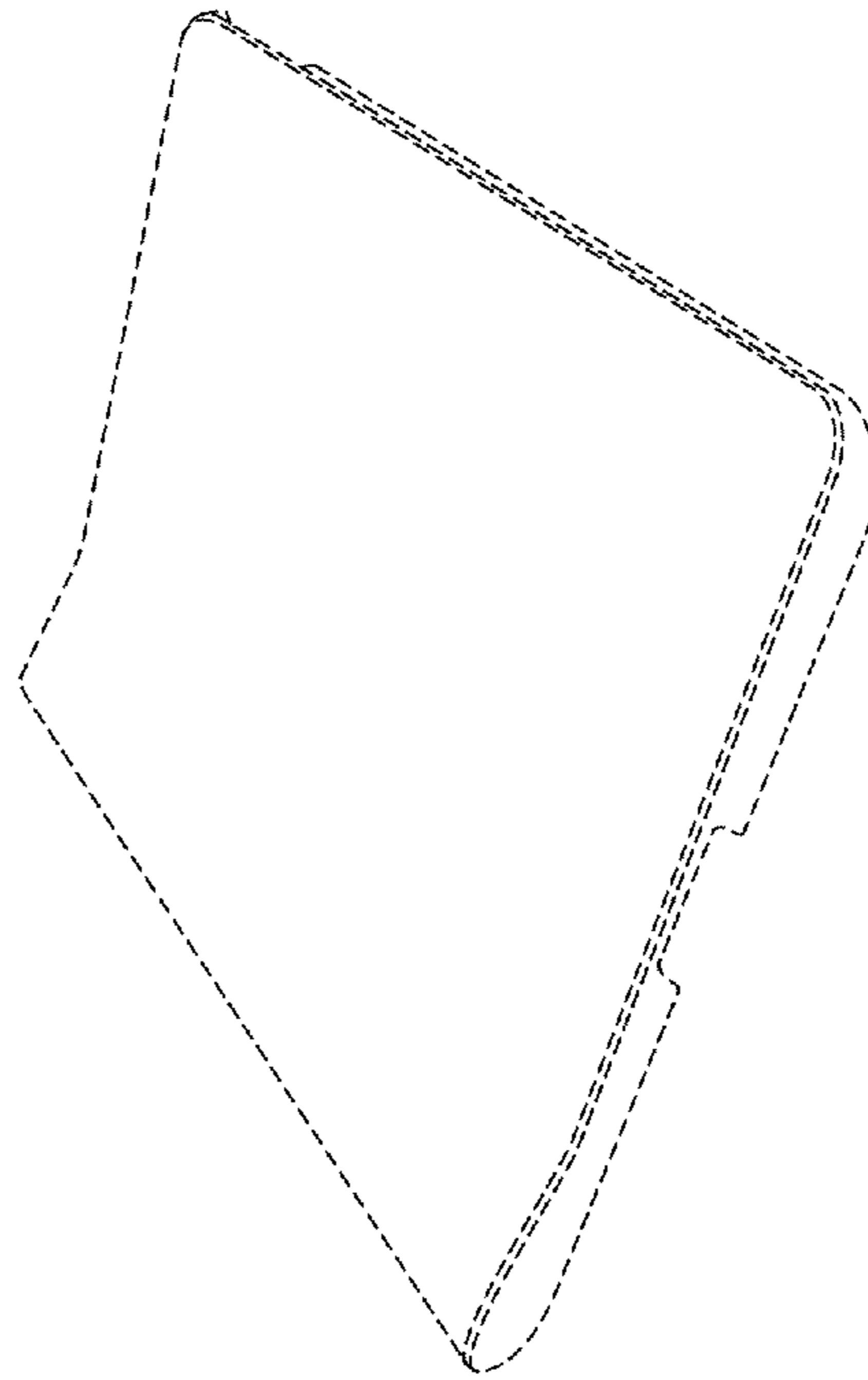


FIG. 4