



US00D670498S

(12) **United States Design Patent**  
**Phillips et al.**

(10) **Patent No.:** **US D670,498 S**  
(45) **Date of Patent:** **\*\* Nov. 13, 2012**

- (54) **ELECTRONIC DEVICE SLEEVE**
  - (75) Inventors: **Alison Phillips**, Toronto (CA); **Todd Andrew Wood**, Toronto (CA); **Anders Fahrendorff**, Ottawa (CA)
  - (73) Assignee: **Research In Motion Limited**, Waterloo, Ontario (CA)
  - (\*\*) Term: **14 Years**
  - (21) Appl. No.: **29/385,760**
  - (22) Filed: **Feb. 18, 2011**
  - (51) **LOC (9) Cl.** ..... **03-01**
  - (52) **U.S. Cl.** ..... **D3/300**
  - (58) **Field of Classification Search** ..... D3/300, D3/303, 203.1, 203.5–203.6, 203.8, 225–227, D3/215, 218; 206/576, 701, 703, 320, 37–38, 206/235; D14/440
- See application file for complete search history.

- D500,203 S \* 12/2004 Kim ..... D3/218
- D638,216 S \* 5/2011 Fahrendorff et al. .... D3/218
- D648,536 S \* 11/2011 Fahrendorff et al. .... D3/303

\* cited by examiner

*Primary Examiner* — Holly Baynham

(57) **CLAIM**  
We claim the ornamental design for an electronic device sleeve, as shown and described.

**DESCRIPTION**

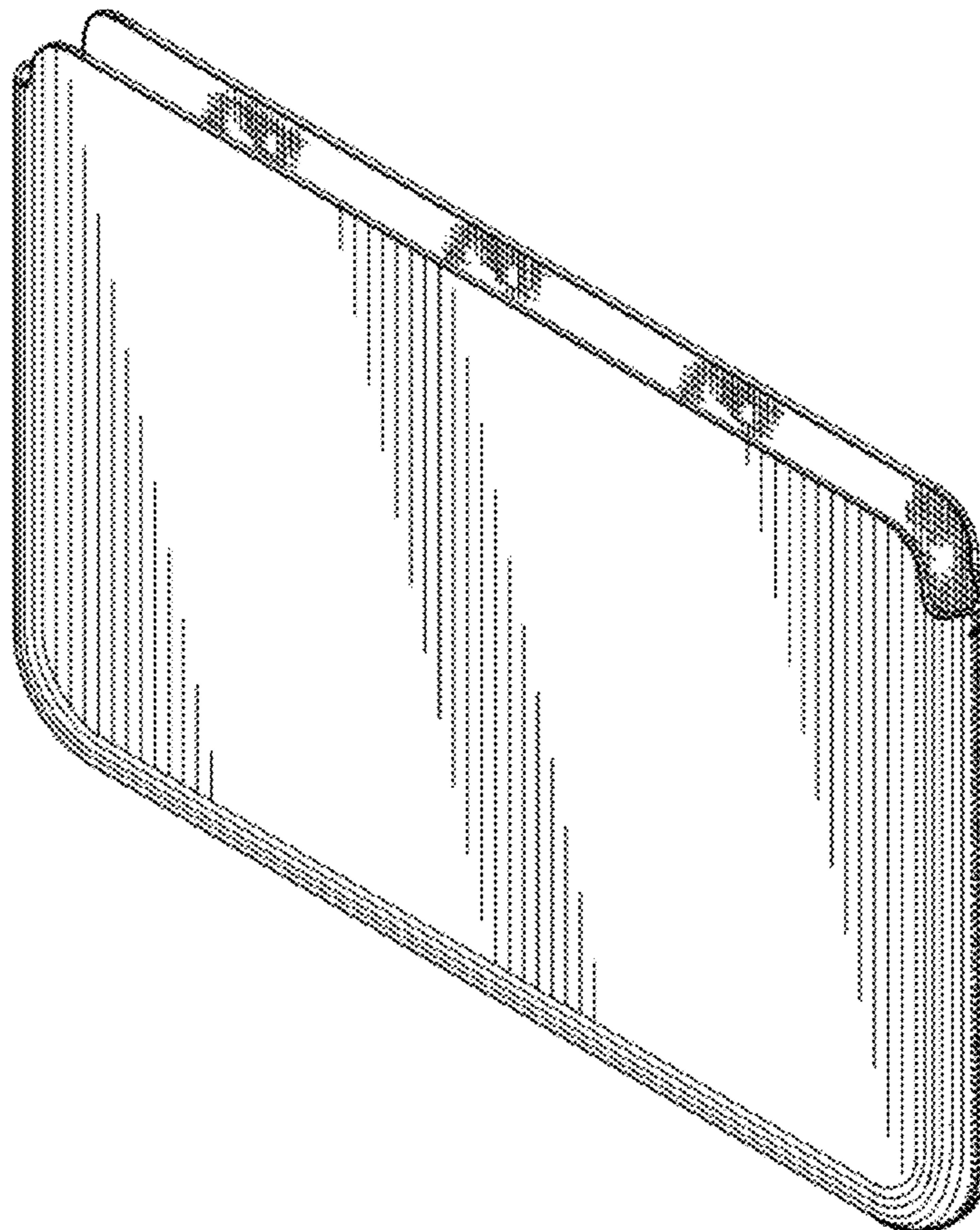
FIG. 1 is a front perspective view of an electronic device sleeve;  
FIG. 2 is a front elevational view of the electronic device sleeve;  
FIG. 3 is a back elevational view thereof;  
FIG. 4 is a right elevational view thereof;  
FIG. 5 is a left elevational view thereof;  
FIG. 6 is a top plan view thereof; and,  
FIG. 7 is a bottom plan view thereof.

(56) **References Cited**

U.S. PATENT DOCUMENTS

- D476,149 S \* 6/2003 Andre et al. .... D3/218
- D495,873 S \* 9/2004 Badillo et al. .... D3/218

**1 Claim, 5 Drawing Sheets**



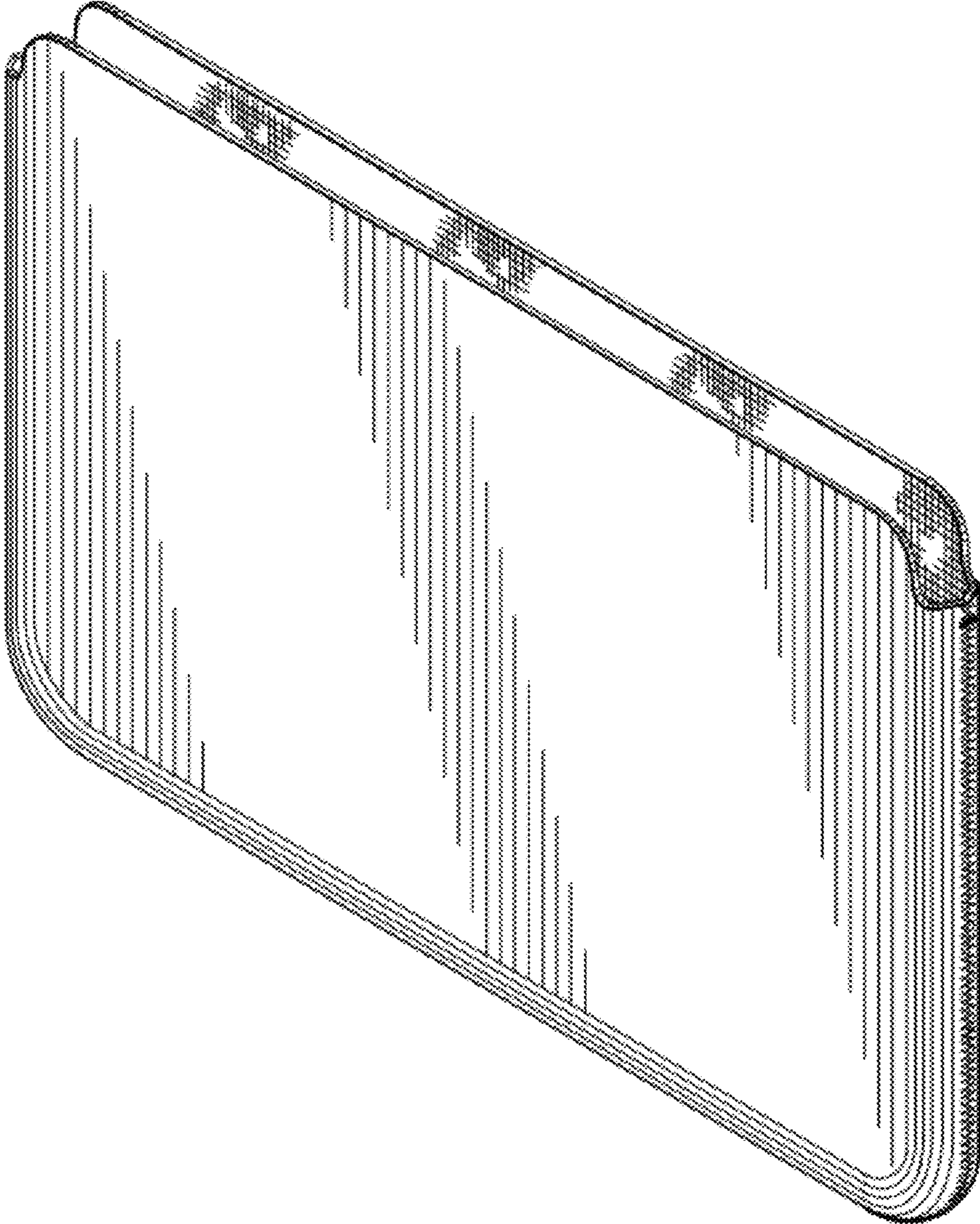


FIG.1

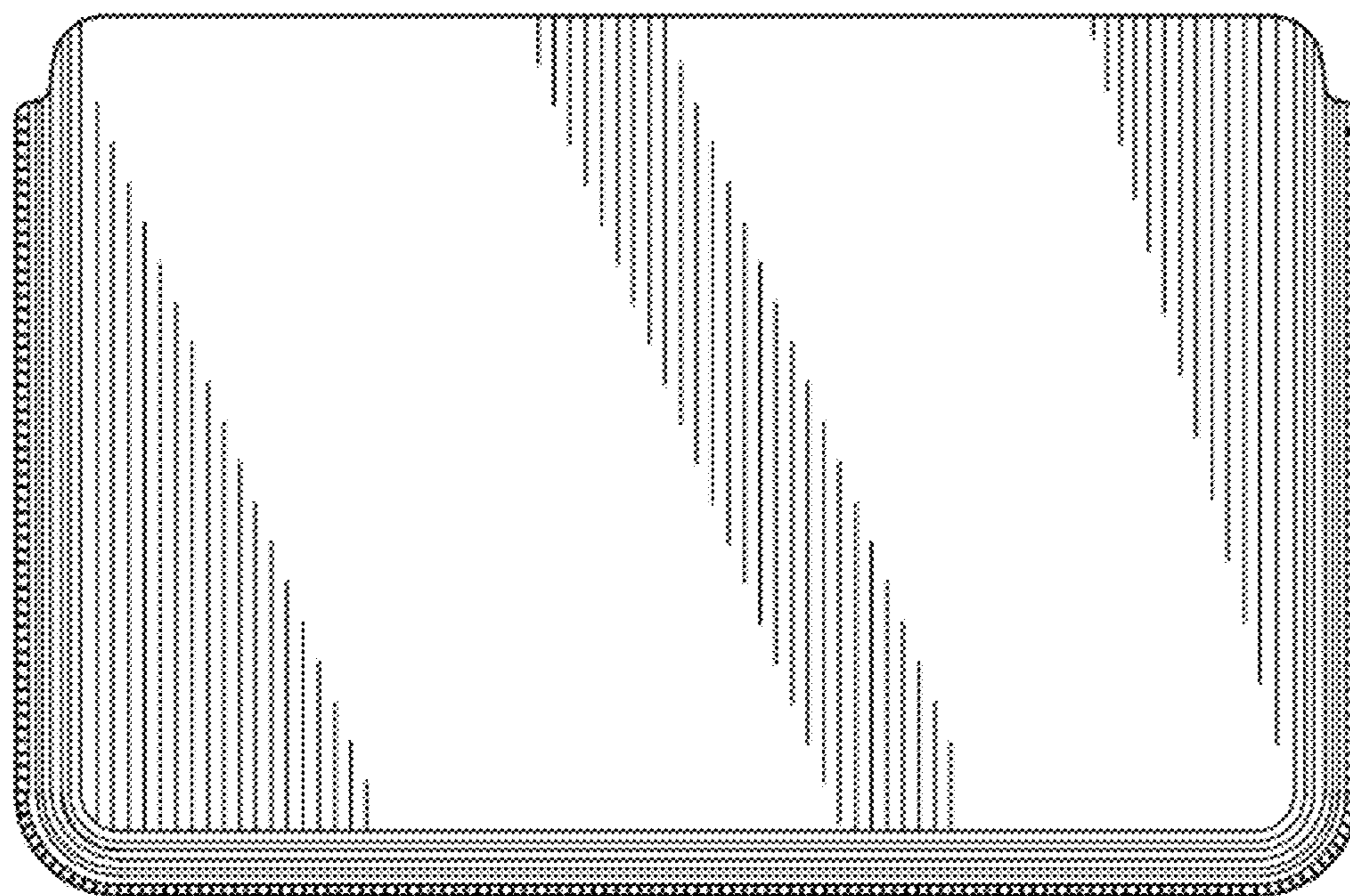


FIG. 2

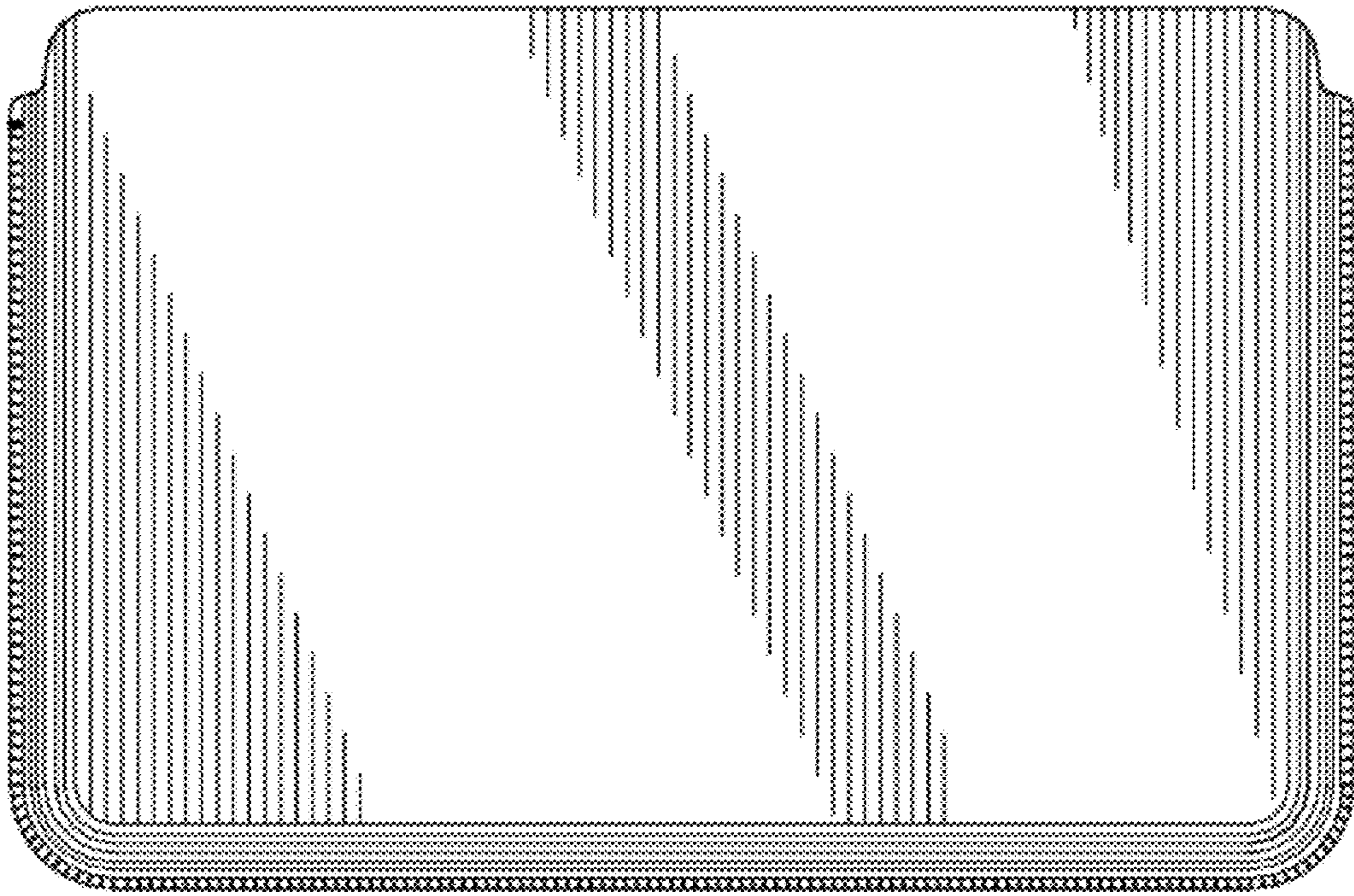


FIG. 3

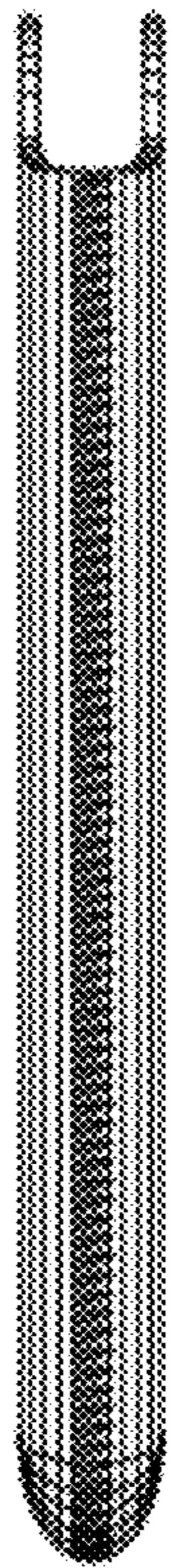


FIG. 4

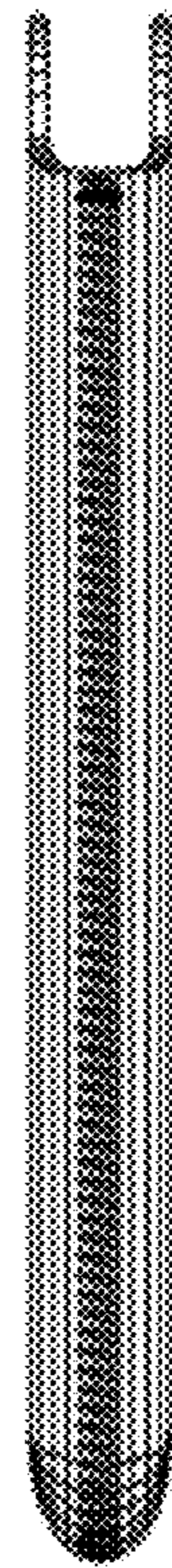


FIG. 5

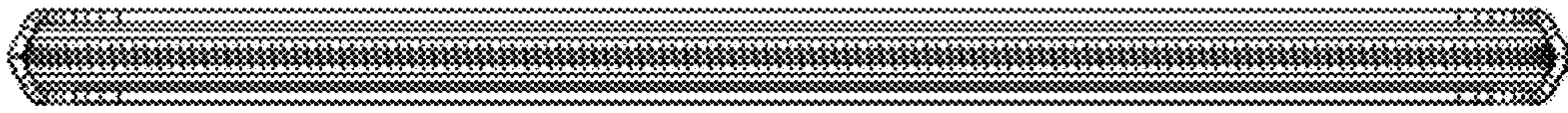


FIG. 6



FIG. 7