



US00D670496S

(12) **United States Design Patent**
Phillips et al.

(10) **Patent No.:** **US D670,496 S**

(45) **Date of Patent:** **** Nov. 13, 2012**

(54) **HANDHELD ELECTRONIC DEVICE SLEEVE**

Primary Examiner — Holly Baynham

(75) Inventors: **Alison Phillips**, Toronto (CA); **Todd Andrew Wood**, Toronto (CA)

(73) Assignee: **Research In Motion Limited**, Waterloo, Ontario (CA)

(**) Term: **14 Years**

(21) Appl. No.: **29/385,313**

(22) Filed: **Feb. 11, 2011**

(51) **LOC (9) Cl.** **03-01**

(52) **U.S. Cl.** **D3/300**

(58) **Field of Classification Search** D3/300,
D3/303, 203.1, 203.5–203.6, 203.8, 225–227,
D3/215, 218; 206/576, 701, 703, 320, 37–38,
206/235

See application file for complete search history.

(56) **References Cited**

U.S. PATENT DOCUMENTS

D499,547 S * 12/2004 Brown D3/273

D621,618 S * 8/2010 Fahrendorff et al. D3/303

* cited by examiner

(57) **CLAIM**

We claim the ornamental design for a handheld electronic device sleeve, as shown and described.

DESCRIPTION

FIG. 1 is a front perspective view of a handheld electronic device sleeve;

FIG. 2 is a front elevational view of the handheld electronic device sleeve;

FIG. 3 is a back elevational view thereof;

FIG. 4 is a right elevational view thereof;

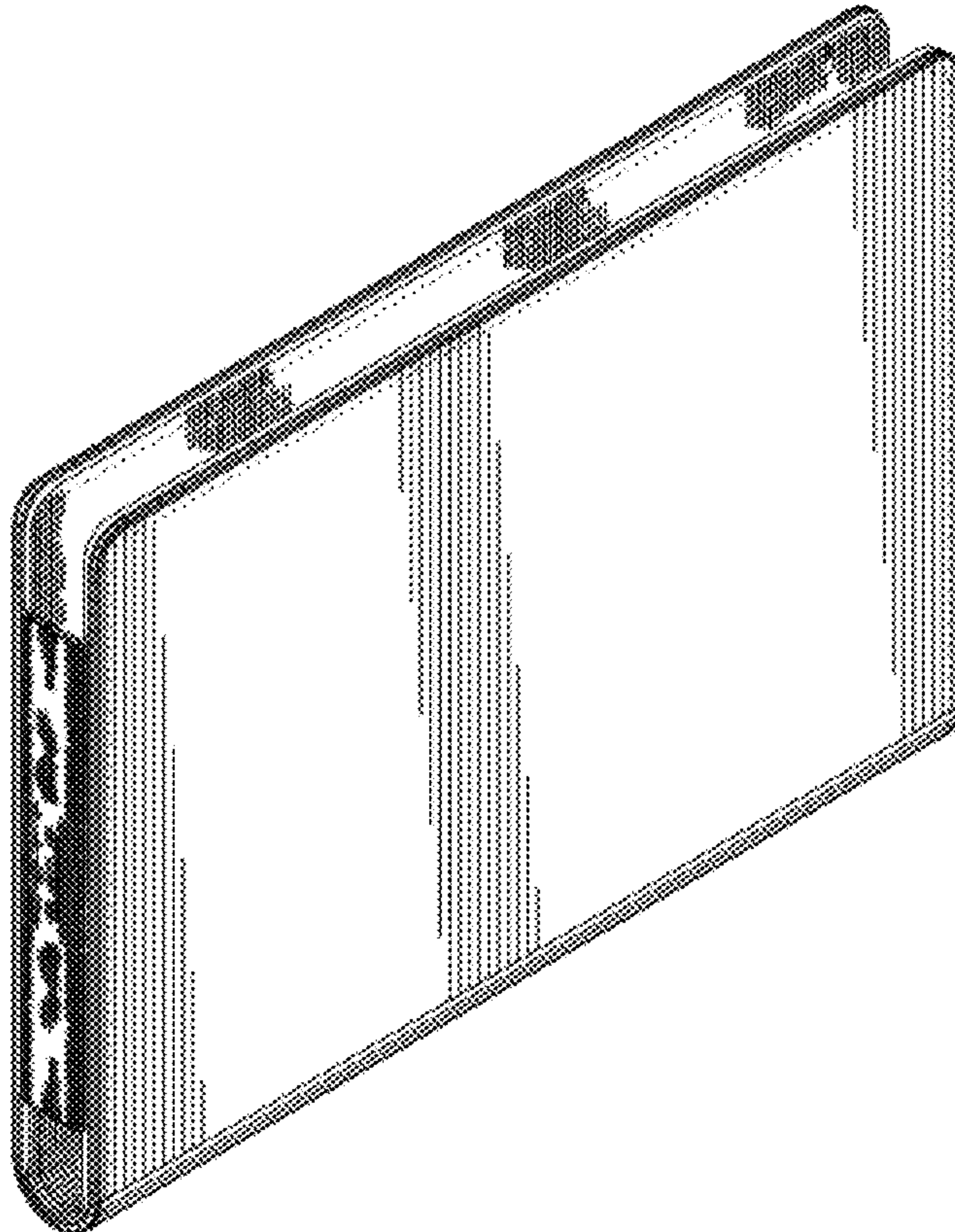
FIG. 5 is a left elevational view thereof;

FIG. 6 is a top plan view thereof; and,

FIG. 7 is a bottom plan view thereof.

The broken lines shown in the drawings of the handheld electronic device sleeve represent stitching and do not form part of the claimed design.

1 Claim, 5 Drawing Sheets



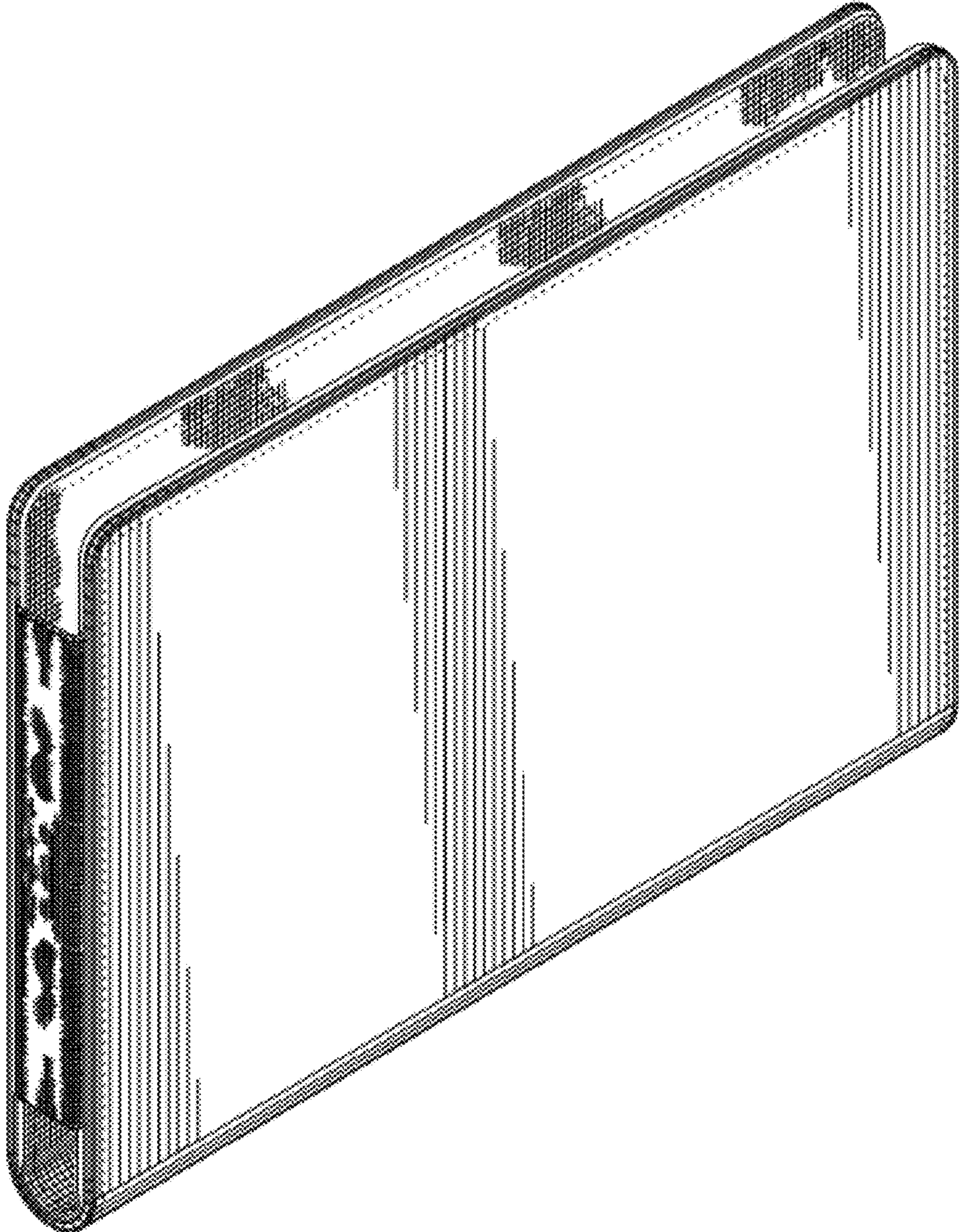


FIG. 1

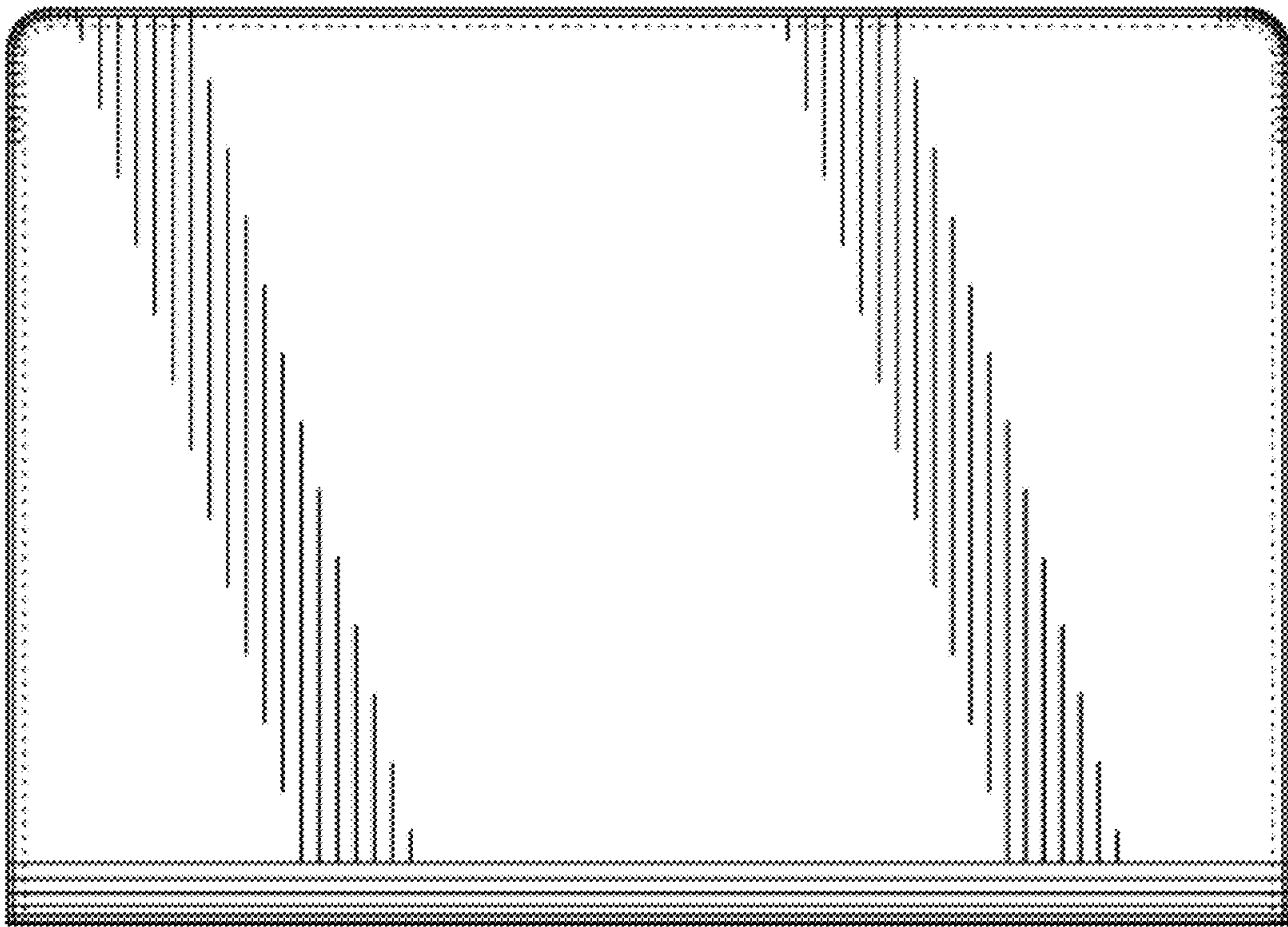


FIG.2

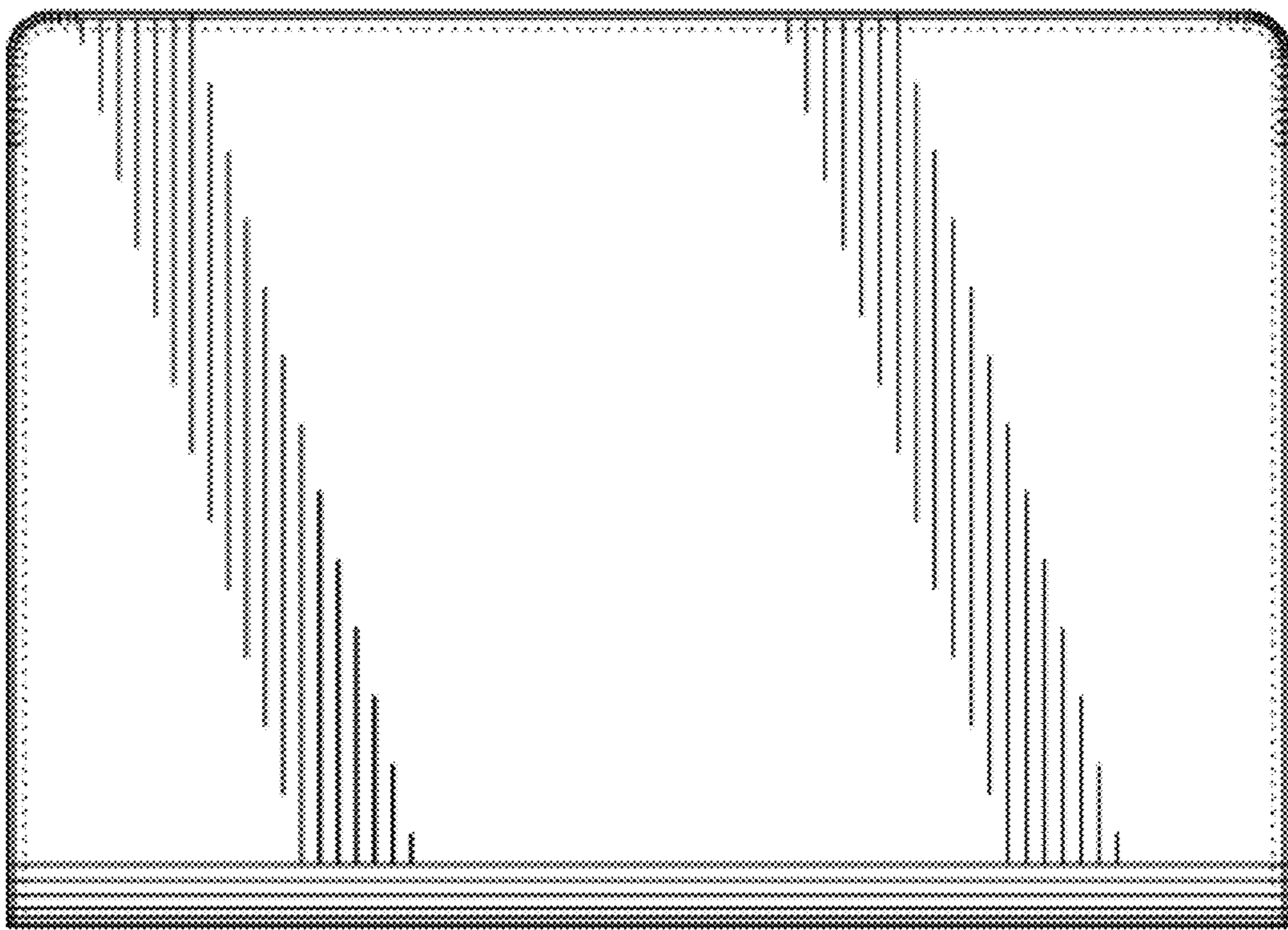


FIG.3

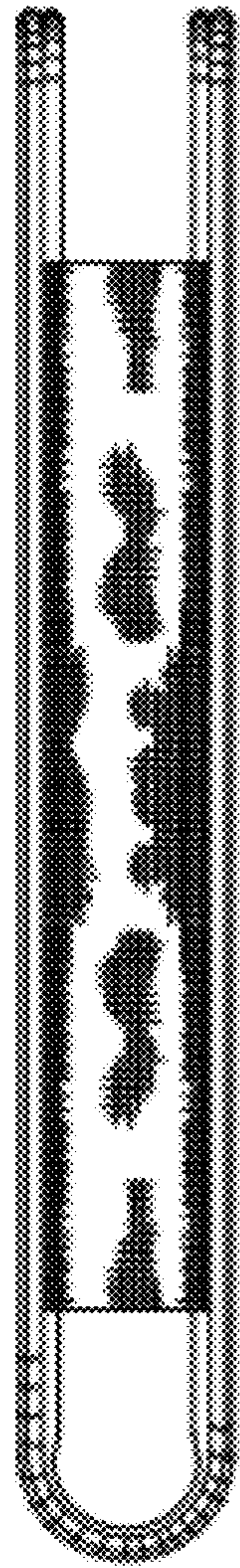


FIG. 4



FIG. 5



FIG. 6

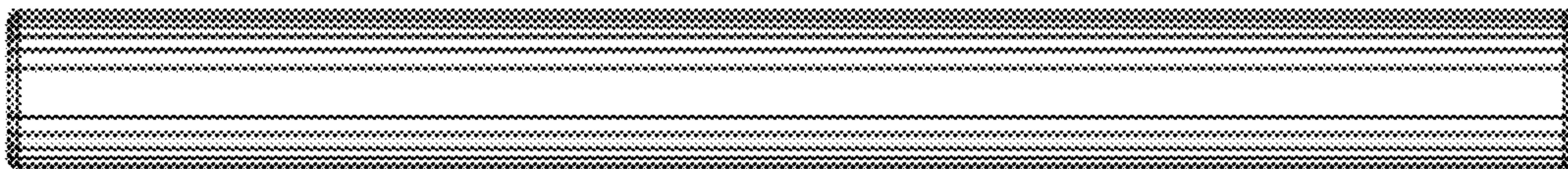


FIG. 7