



US00D670491S

(12) **United States Design Patent**
Ko et al.

(10) **Patent No.:** **US D670,491 S**
(45) **Date of Patent:** **** Nov. 13, 2012**

(54) **ANTI-SLIP SLEEVE FOR SHOE**
(76) Inventors: **Meng-Yuan Ko**, ChangHua County
(TW); **Meng-Lin Ko**, ChangHua County
(TW)
(**) Term: **14 Years**
(21) Appl. No.: **29/401,259**
(22) Filed: **Sep. 9, 2011**
(30) **Foreign Application Priority Data**
Jul. 5, 2011 (TW) 100303438

(51) **LOC (9) Cl.** **02-04**
(52) **U.S. Cl.** **D2/962**
(58) **Field of Classification Search** D2/896,
D2/904, 906, 907, 908, 909, 910, 911, 913,
D2/914, 915, 916, 917, 918, 925, 929, 943,
D2/946, 947, 951, 953, 954, 962, 963, 968,
D2/978; 36/83, 113, 114, 115, 124, 125,
36/126, 127, 128, 129, 130, 131, 132, 133,
36/134, 135, 136, 137, 3 A, 7.5, 7.6, 7.7,
36/59 R, 61, 62, 64, 65, 66, 67 R, 67 A, 67 B,
36/67 C, 67 D, 59 C
See application file for complete search history.

(56) **References Cited**
U.S. PATENT DOCUMENTS
1,386,028 A * 8/1921 Roe 36/7.6
1,437,376 A * 11/1922 Young 36/7.6
2,685,141 A * 8/1954 Davenport 36/7.6
3,229,389 A * 1/1966 Adams 36/7.6
D293,160 S * 12/1987 Le Droit D2/962
D294,655 S * 3/1988 Heyes D2/954
D299,285 S * 1/1989 Watson D2/962
D313,111 S * 12/1990 McKinstry D2/962
D322,355 S * 12/1991 Arai D2/954

D351,495 S * 10/1994 Nagai et al. D2/959
D356,672 S * 3/1995 Ueda D2/959
D362,109 S * 9/1995 Jones D2/962
D376,255 S * 12/1996 Ehmann D2/962
D389,298 S * 1/1998 Briant D2/962
D404,191 S * 1/1999 Harada et al. D2/957
D406,938 S * 3/1999 Lin D2/954
D407,544 S * 4/1999 Kenser D2/962
D408,619 S * 4/1999 Worthington et al. D2/957
D427,754 S * 7/2000 Portaud D2/954
D476,467 S * 7/2003 Takamoto et al. D2/953
6,742,286 B2 * 6/2004 Giovale 36/7.6
7,089,688 B2 * 8/2006 Giovale 36/7.6
D573,779 S * 7/2008 Stauffer D2/954
D583,542 S * 12/2008 Gerber D2/962
D628,372 S * 12/2010 Bell et al. D2/962
D659,970 S * 5/2012 Liao D2/962

* cited by examiner

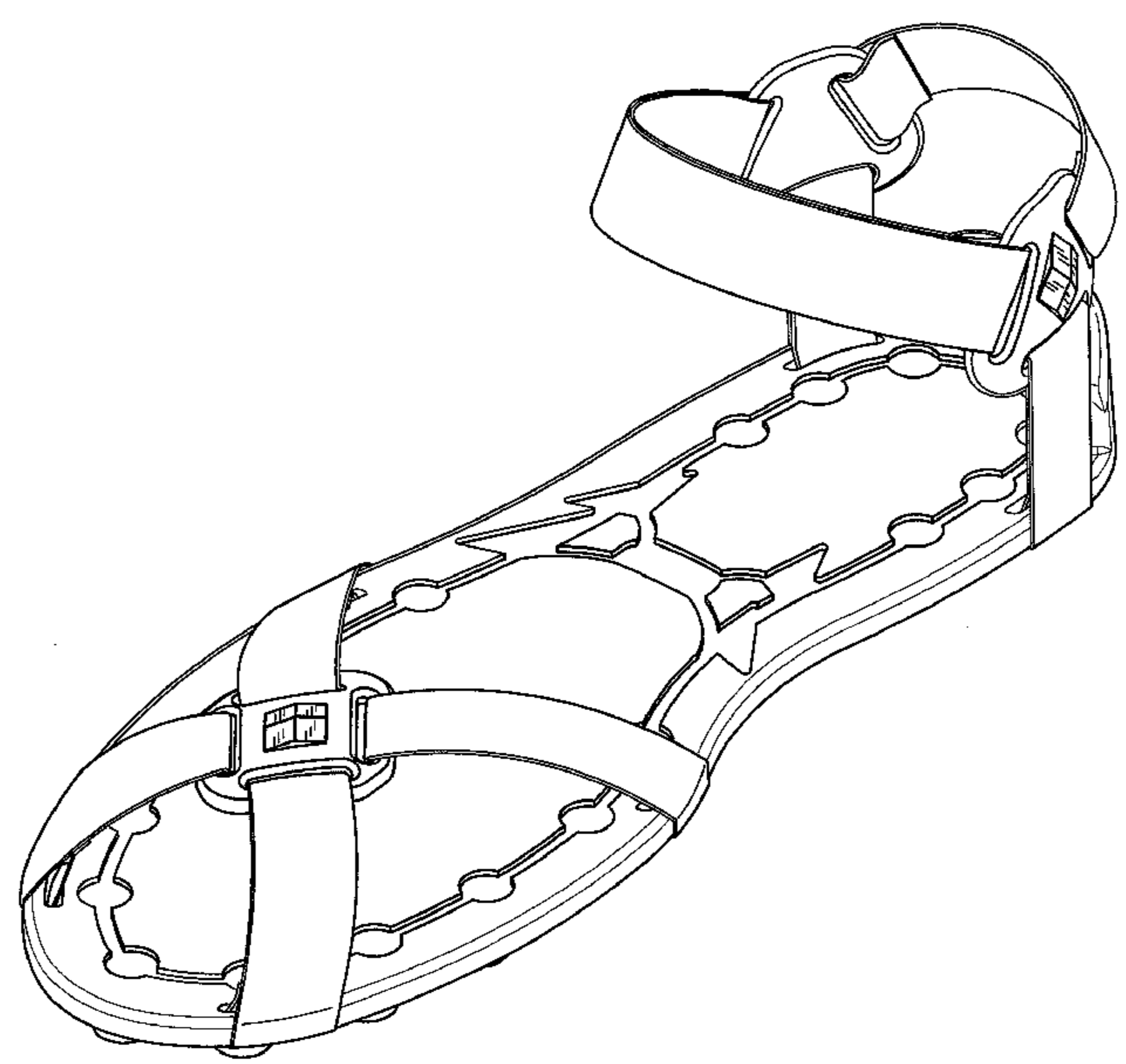
Primary Examiner — Elizabeth J Oswecki
(74) *Attorney, Agent, or Firm* — Muncy, Geissler, Olds &
Lowe, PLLC

(57) **CLAIM**
The ornamental design for an anti-slip sleeve for shoe, as
shown and described.

DESCRIPTION

FIG. 1 is a perspective view of an anti-slip sleeve for shoe
showing our new design;
FIG. 2 is a front view thereof;
FIG. 3 is a rear view thereof;
FIG. 4 is a left side view thereof;
FIG. 5 is a right side view thereof;
FIG. 6 is a top plan view thereof;
FIG. 7 is a bottom plan view thereof; and,
FIG. 8 is a side view of an anti-slip sleeve for shoe shown in
a used condition, with a shoe shown in broken lines that forms
no part of the claimed design.

1 Claim, 7 Drawing Sheets



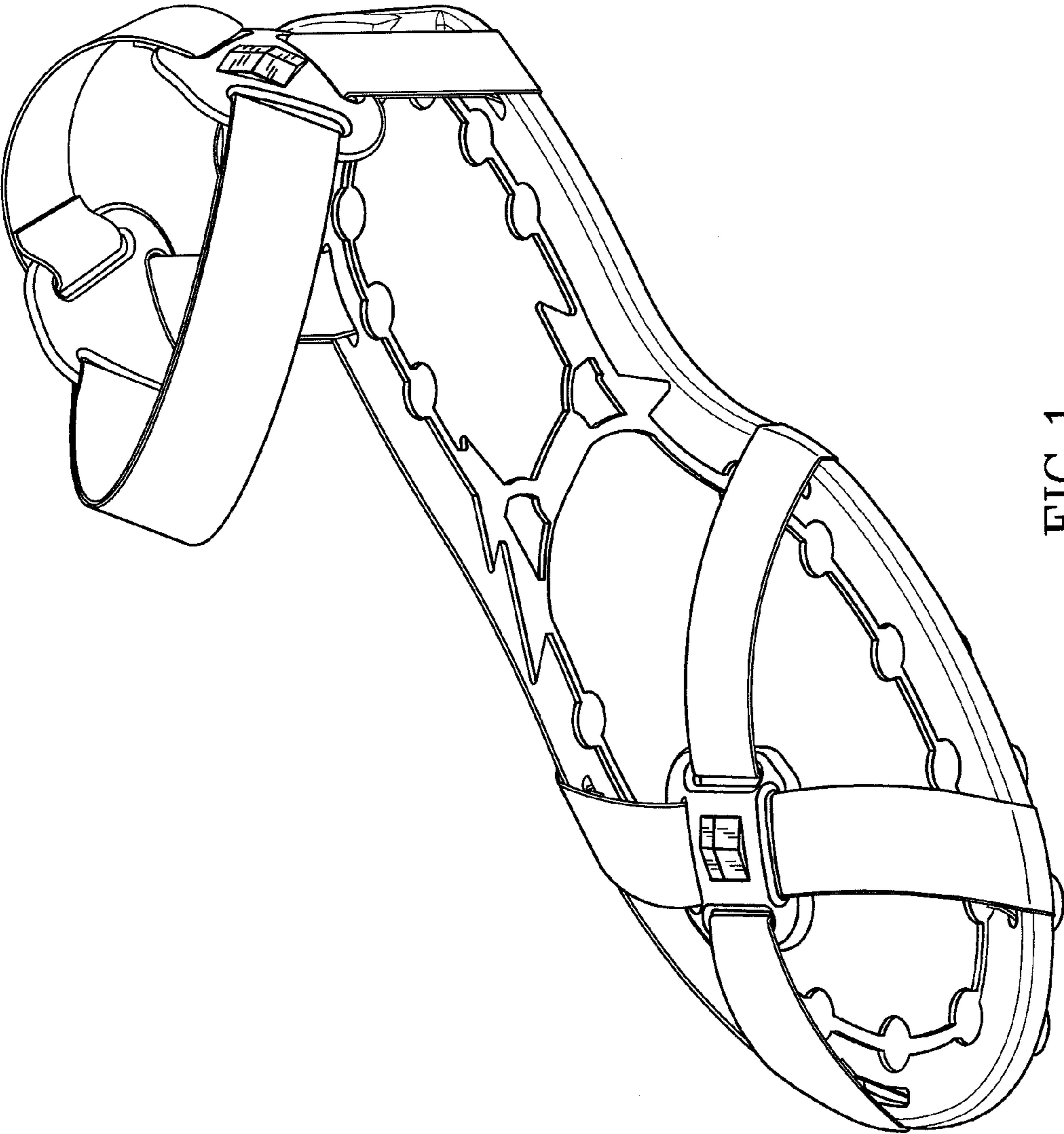


FIG. 1

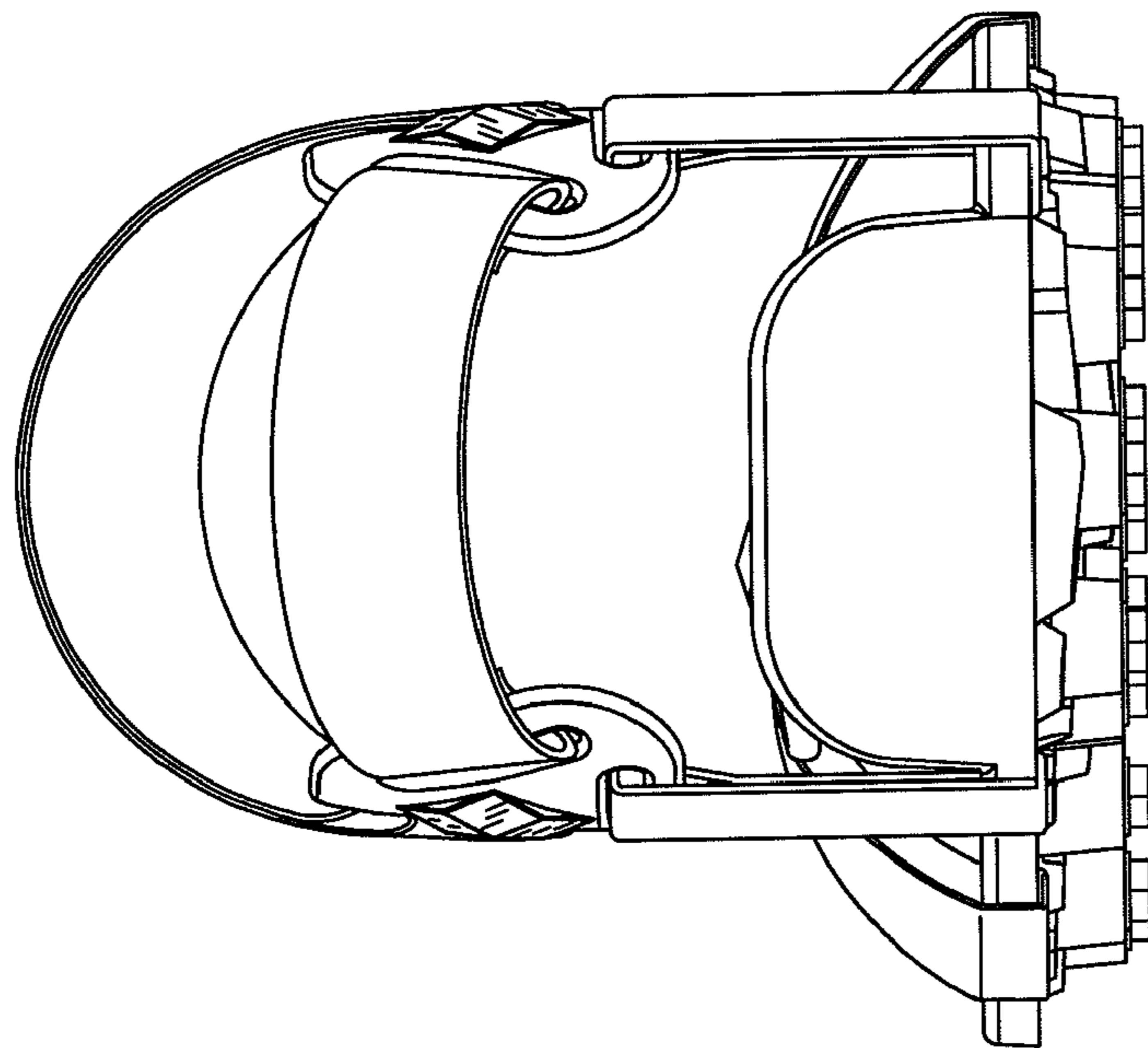


FIG. 3

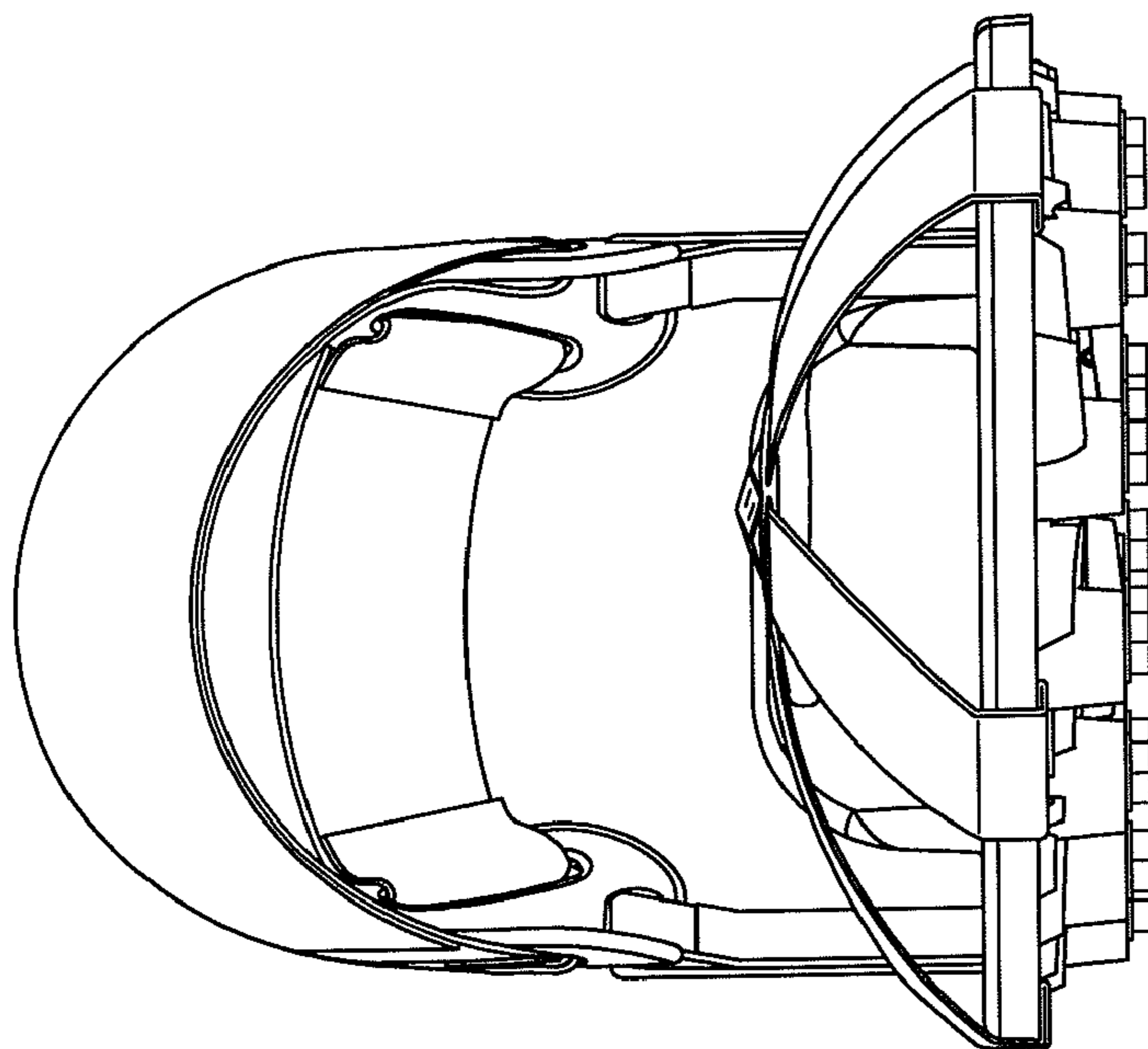


FIG. 2

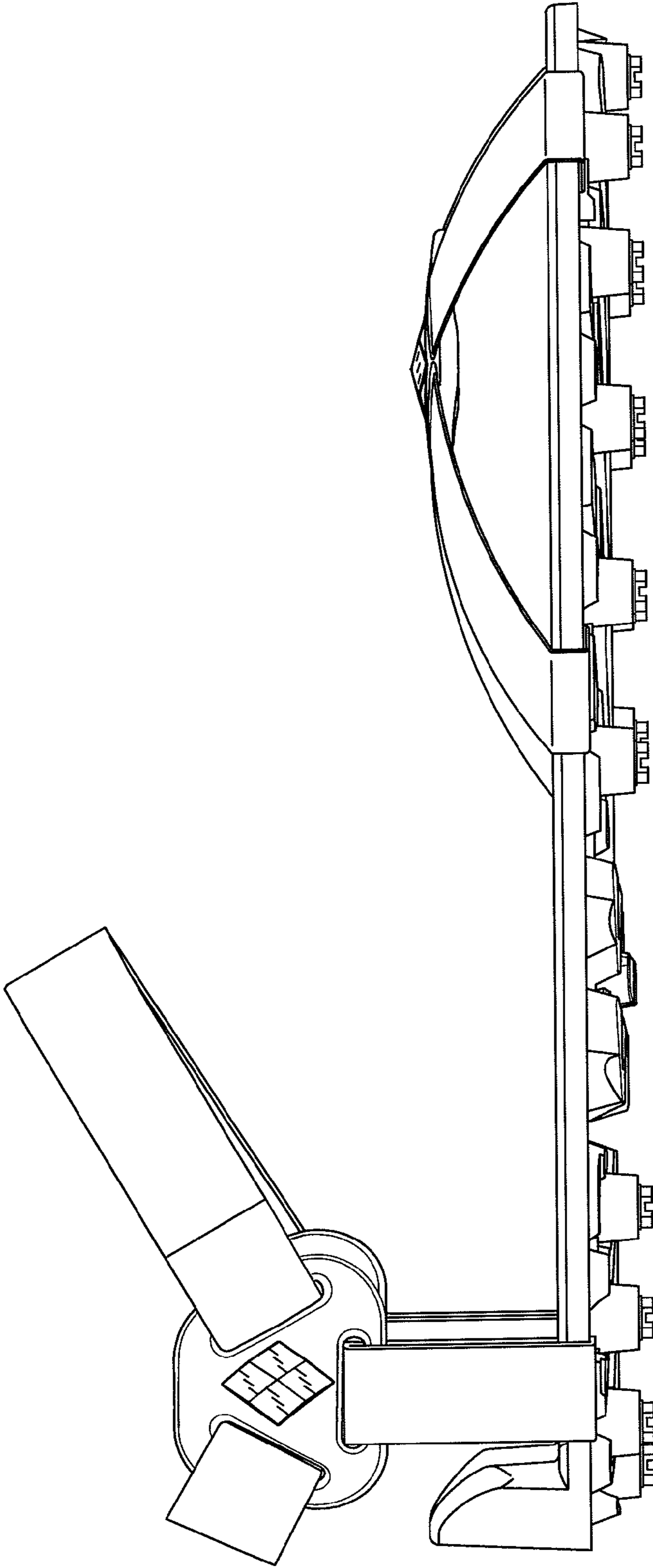


FIG. 4

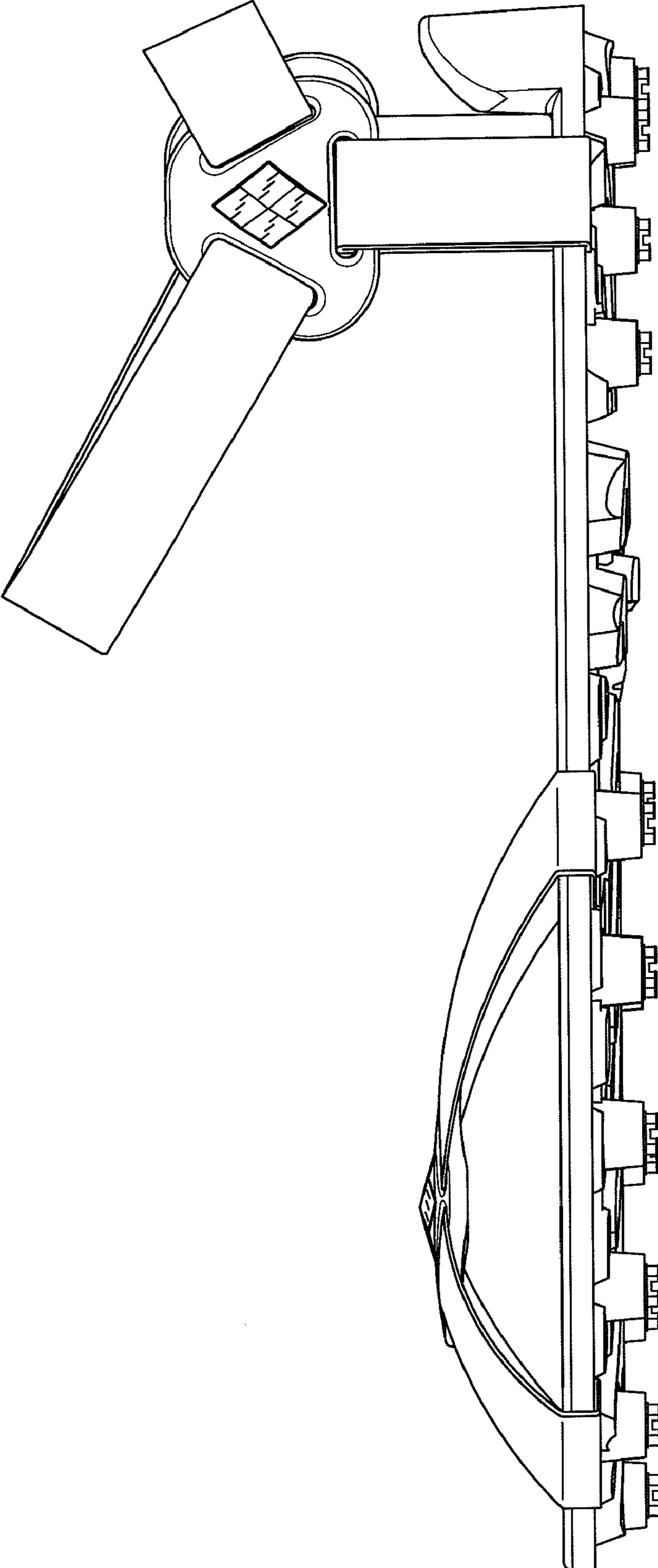


FIG. 5

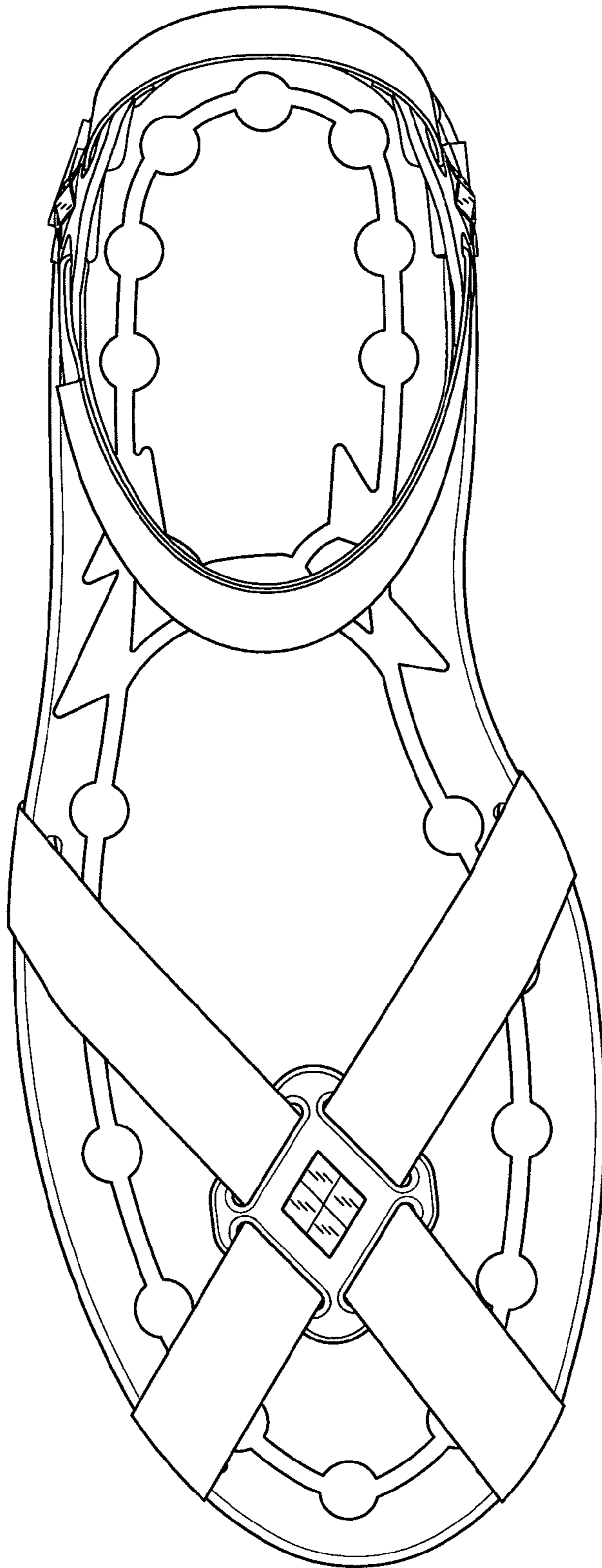


FIG. 6



FIG. 7

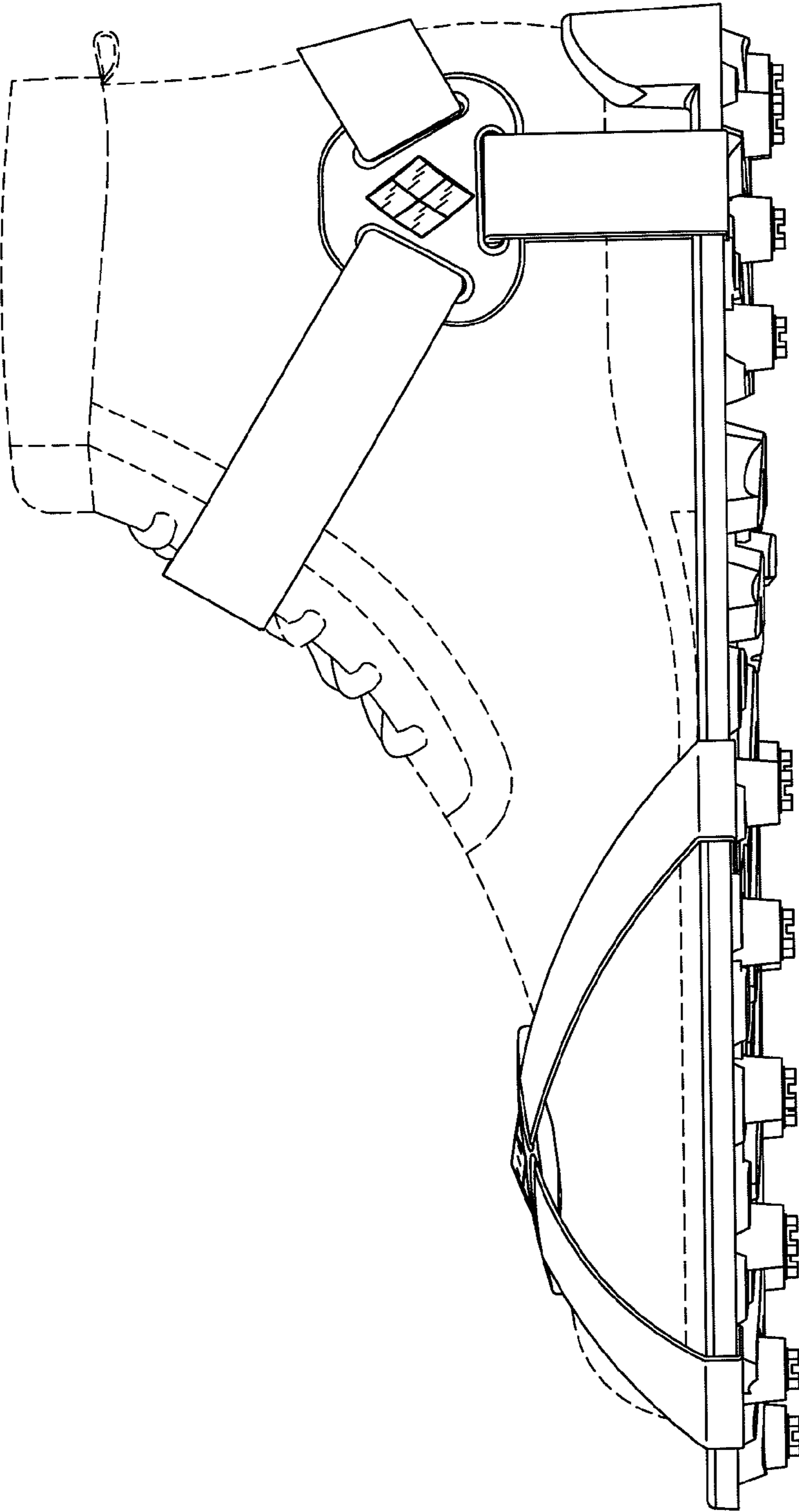


FIG. 8