



US00D670475S

(12) **United States Design Patent**
Chernek

(10) **Patent No.:** **US D670,475 S**

(45) **Date of Patent:** **** Nov. 6, 2012**

(54) **PLASTIC PALLET**

(76) Inventor: **Frank Chernek, Yuma, AZ (US)**

(**) Term: **14 Years**

(21) Appl. No.: **29/374,685**

(22) Filed: **Sep. 20, 2011**

(51) **LOC (9) Cl.** **09-08**

(52) **U.S. Cl.** **D34/38**

(58) **Field of Classification Search** D34/38;
108/51.11, 53.1, 53.3, 53.5, 55.1, 57.13
See application file for complete search history.

(56) **References Cited**

U.S. PATENT DOCUMENTS

D238,862	S	*	2/1976	Hewson	D34/38
4,979,446	A	*	12/1990	Winebarger	108/51.3
D379,716	S	*	6/1997	Zipperle et al.	D3/304
D395,117	S	*	6/1998	Persson	D34/38
D416,782	S	*	11/1999	Reinhardt	D8/354
D422,393	S	*	4/2000	Agtuca	D34/23
D430,378	S	*	8/2000	Worsoe	D34/38
D472,031	S	*	3/2003	Adams et al.	D34/38
D547,024	S	*	7/2007	Brefka et al.	D34/38
D613,025	S	*	3/2010	Dathan	D34/38
2009/0188411	A1	*	7/2009	Gibson et al.	108/51.3
2011/0232538	A1	*	9/2011	Chou	108/53.1

* cited by examiner

Primary Examiner — Cynthia Ramirez

(74) *Attorney, Agent, or Firm* — Richard K Thomson

(57) **CLAIM**

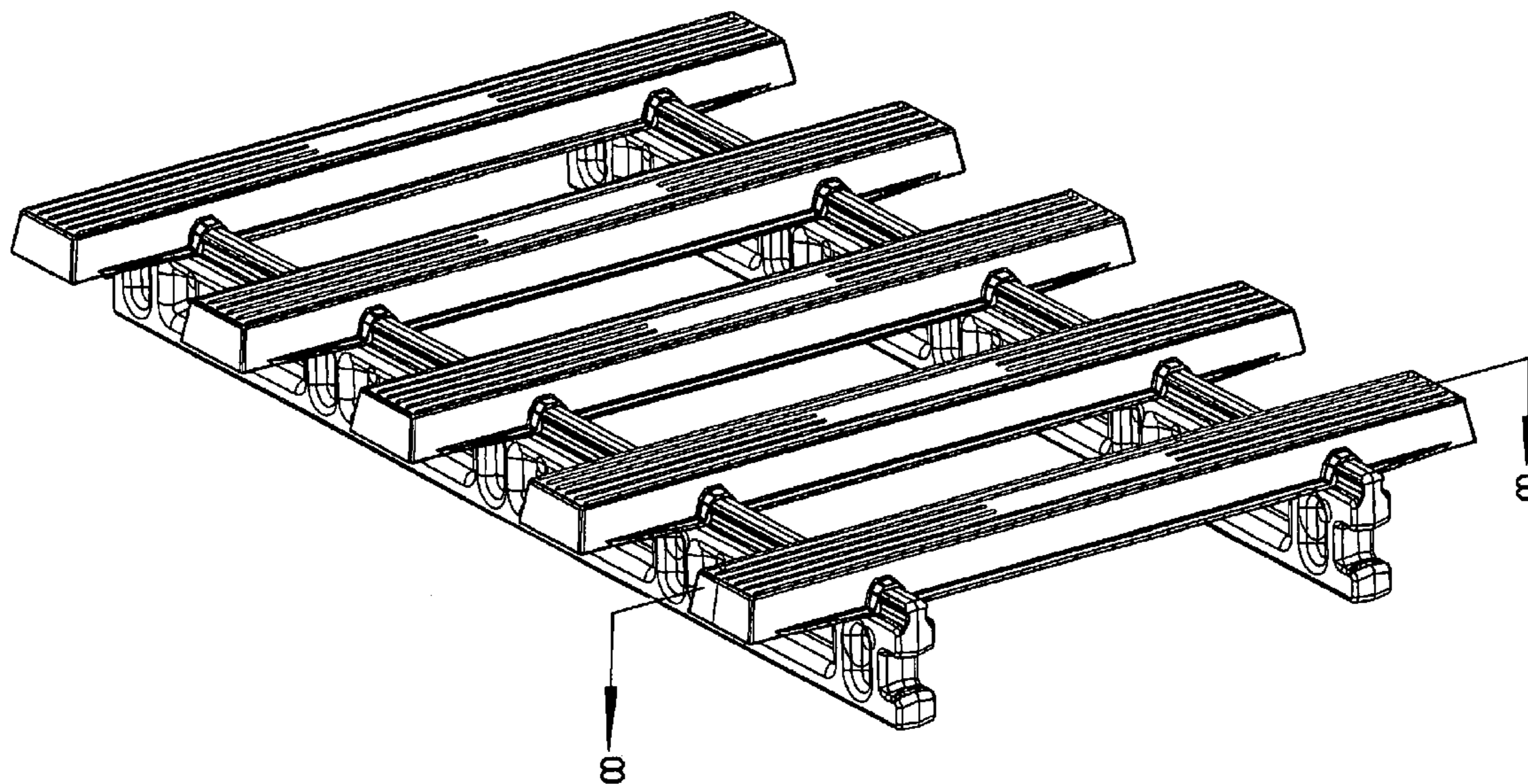
I claim the ornamental design for a plastic pallet, as shown and described.

DESCRIPTION

FIG. 1 is a front perspective view of a plastic pallet of the present invention;
 FIG. 2 is a bottom view of the pallet's slat;
 FIG. 3 is a perspective view thereof;
 FIG. 4 is an enlarged view of a portion of the pallet's slat;
 FIG. 5 is a front view of the pallet's stringer;
 FIG. 6 is a front perspective view thereof;
 FIG. 7 is an enlarged view of a portion of the pallet's stringer;
 FIG. 8 is a cross sectional view of the pallet;
 FIG. 9 is an enlarged cross sectional view of a portion of the pallet;
 FIG. 10 is a front perspective view of a portion of the pallet;
 FIG. 11 is an enlarged view of the portion of the pallet;
 FIG. 12 is a front elevational view thereof;
 FIG. 13 is an enlarged view of a portion thereof;
 FIG. 14 is a perspective view of the pallet showing two slats;
 FIG. 15 is an enlarged view of a portion of FIG. 14; and,
 FIG. 16 is a perspective view of the plastic pallet.

The pallet is shown with some of the slats detached, and the slats and the stringers are shown separated in some of the figures for convenience of illustrations.

1 Claim, 8 Drawing Sheets



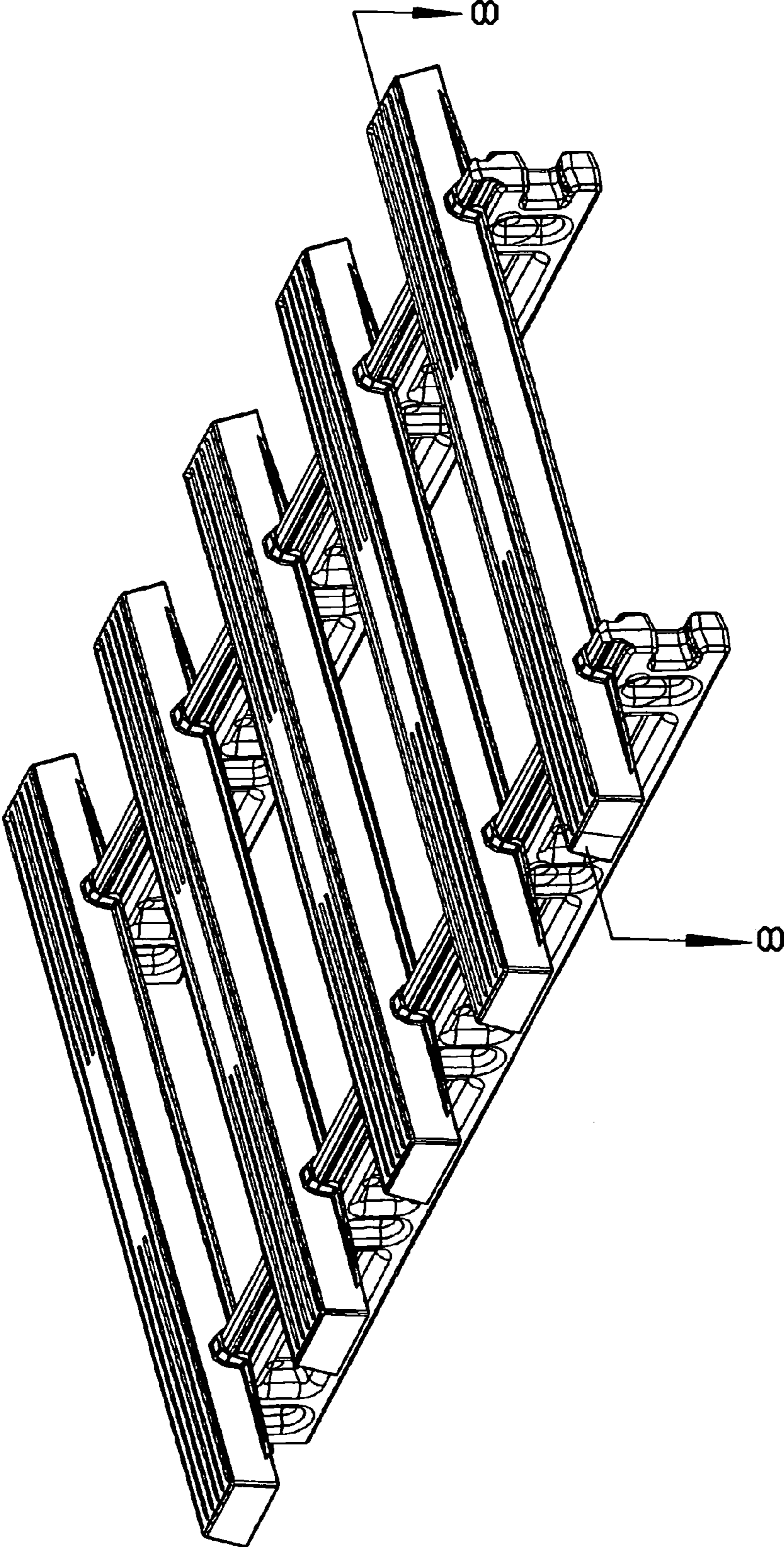


FIG.1

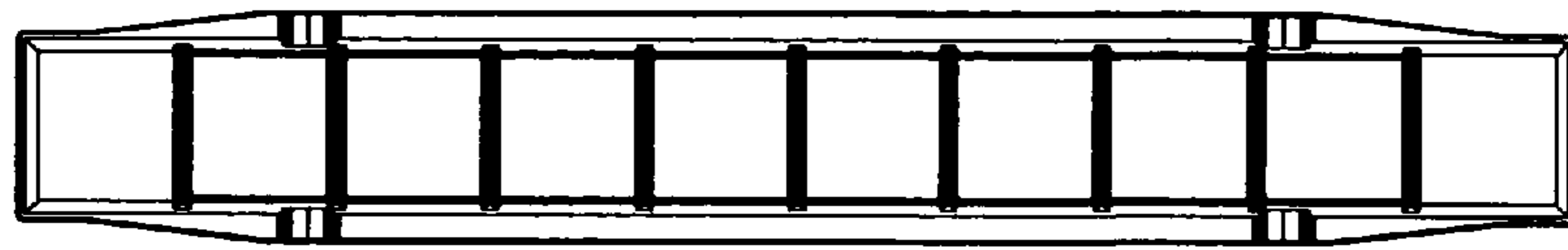


FIG. 2

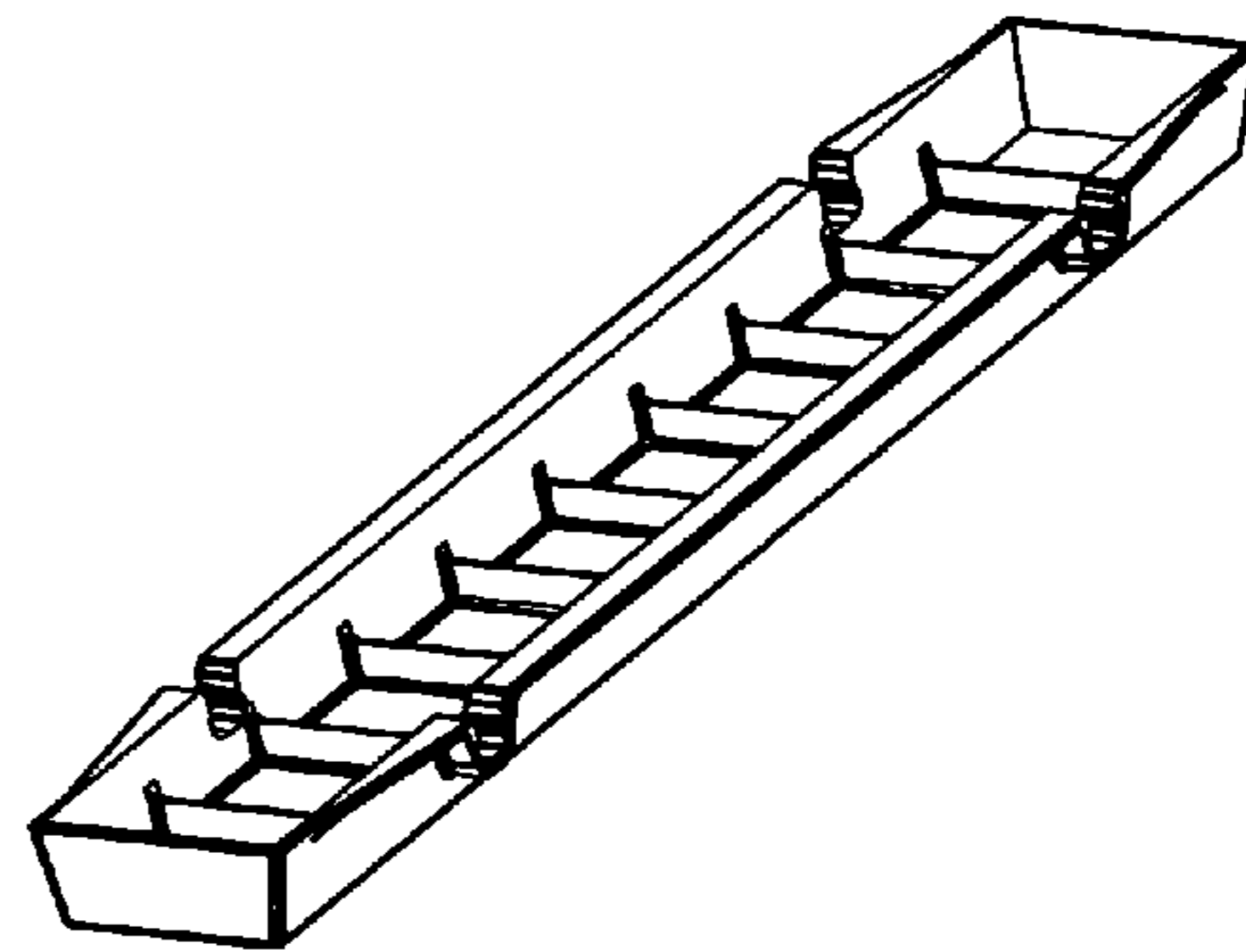


FIG. 3

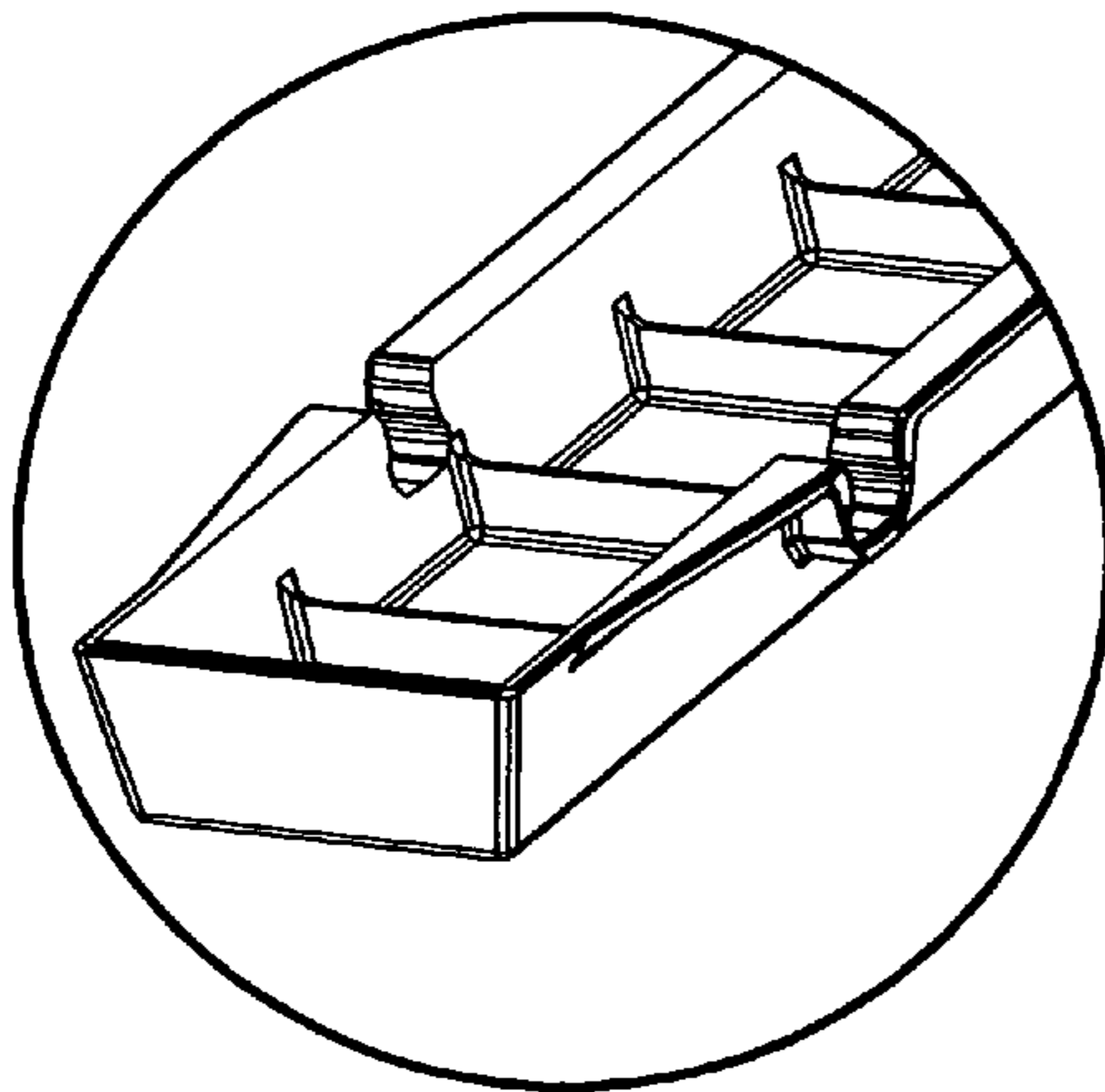


FIG. 4

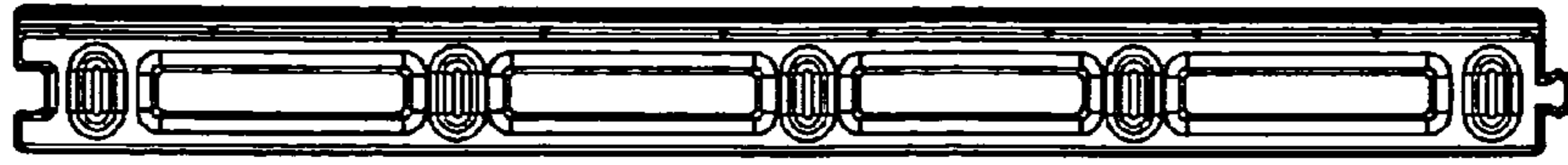


FIG. 5

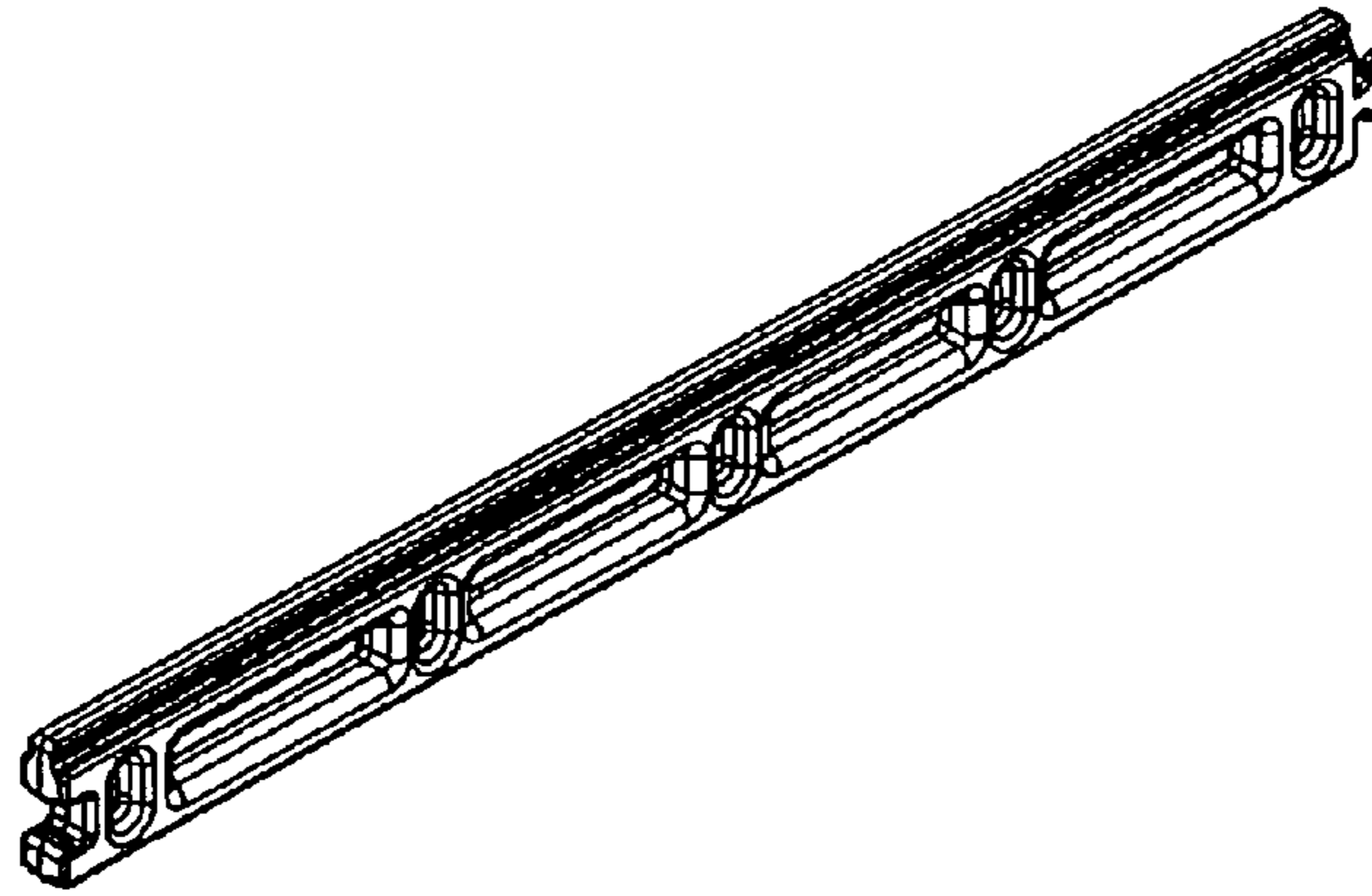


FIG. 6

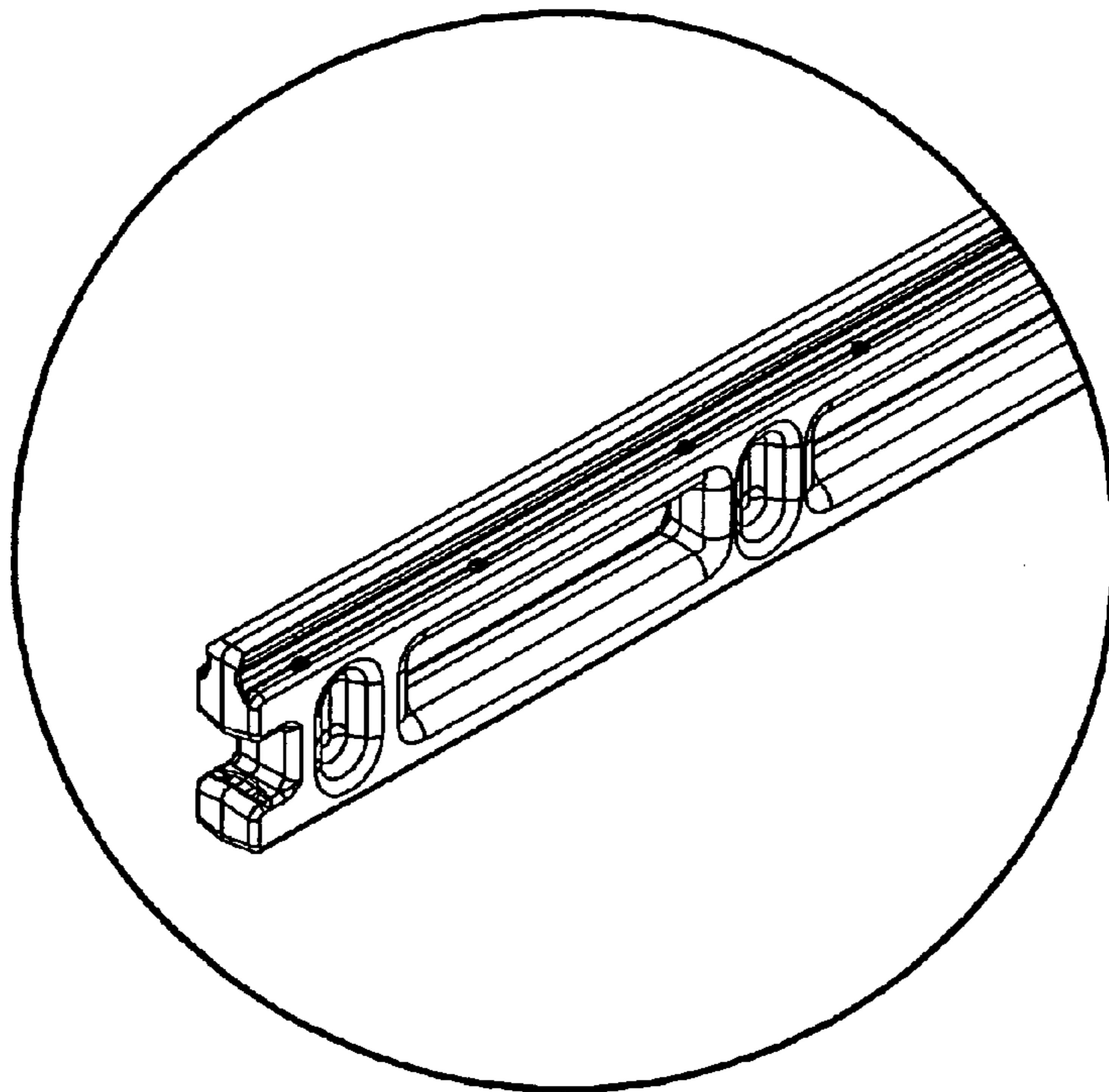


FIG. 7

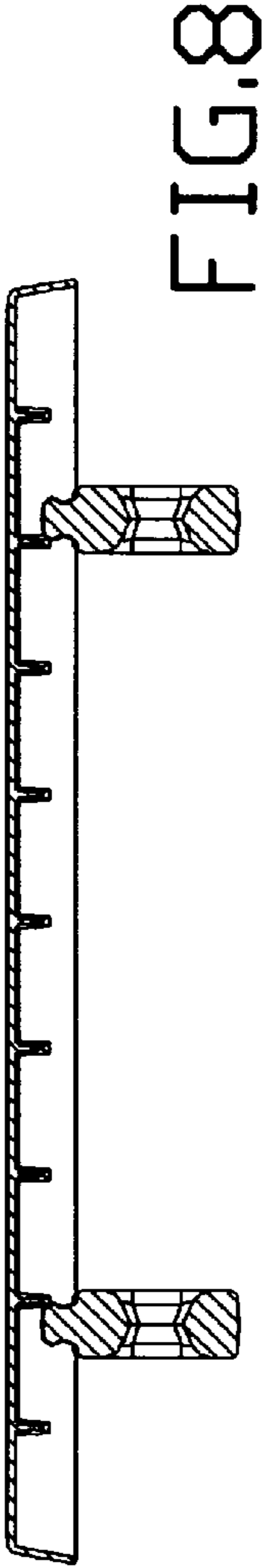


FIG. 8

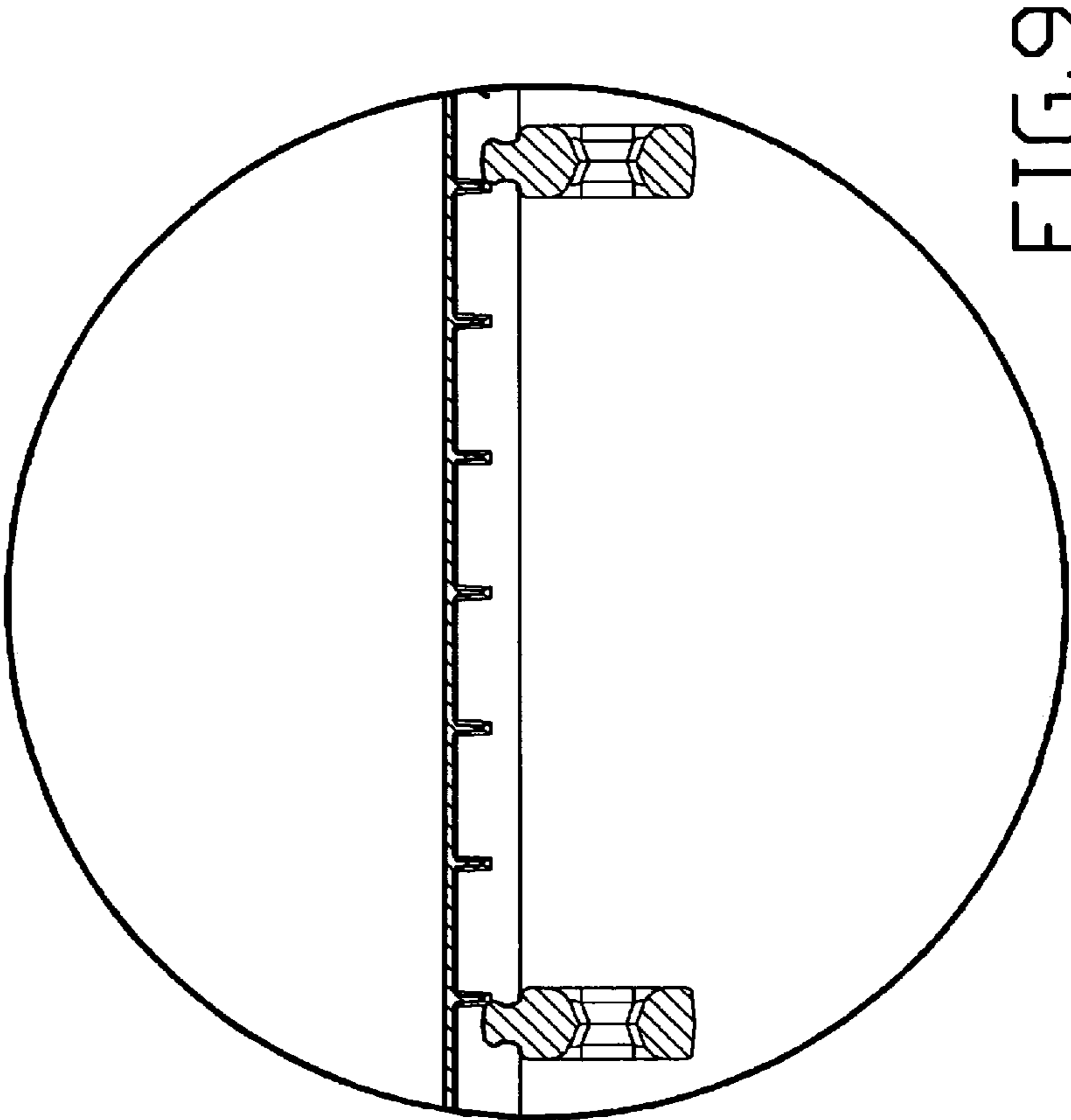


FIG. 9

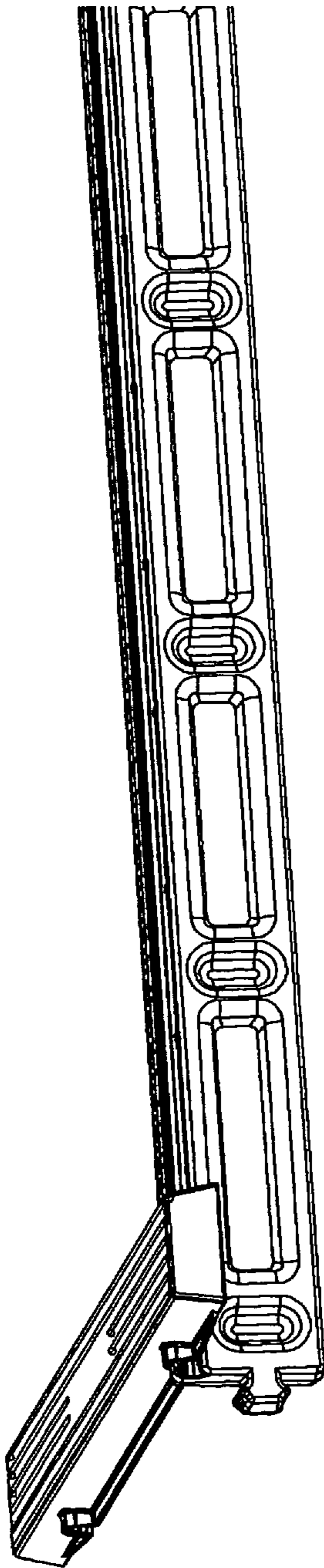


FIG.10

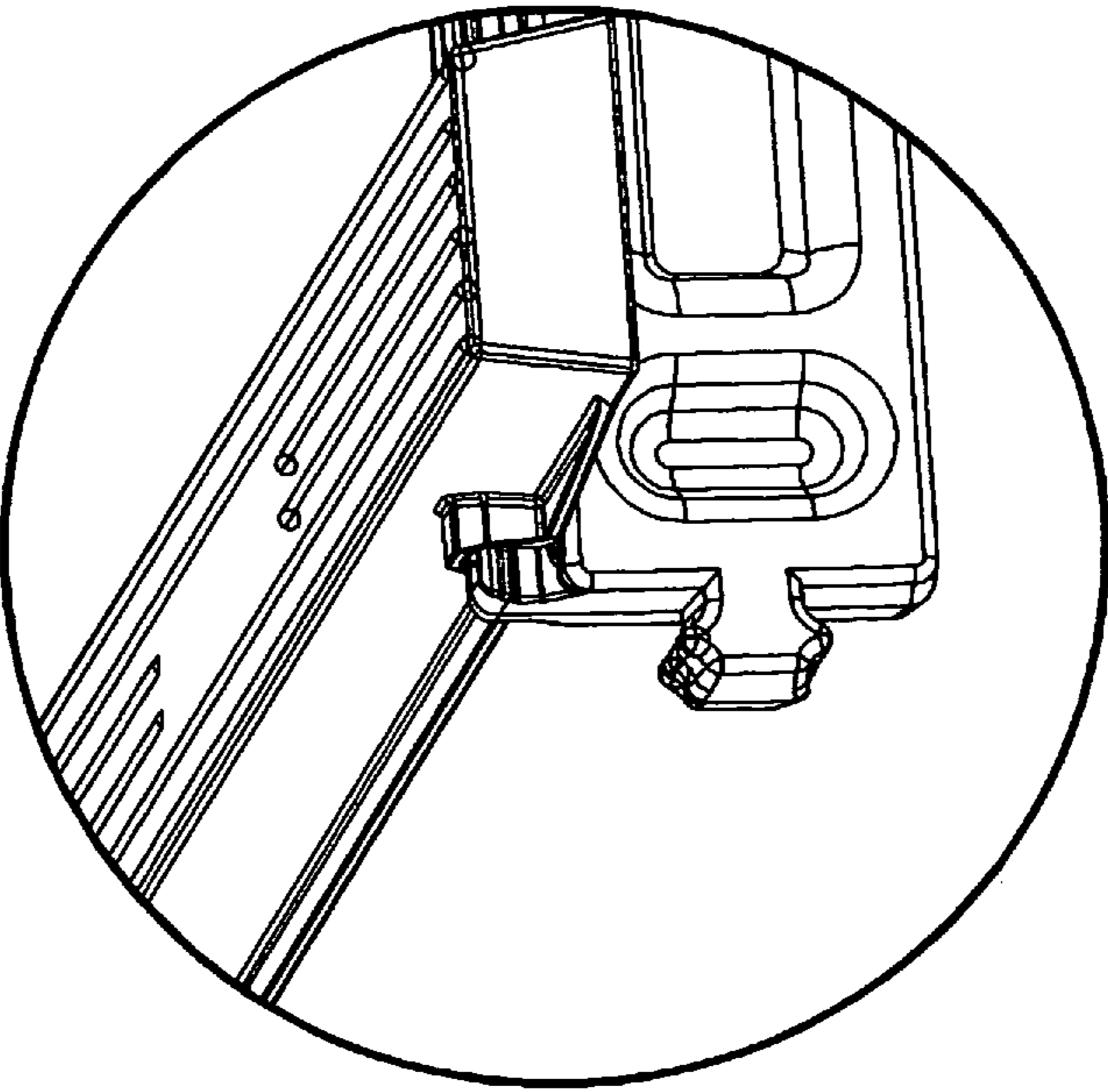


FIG.11

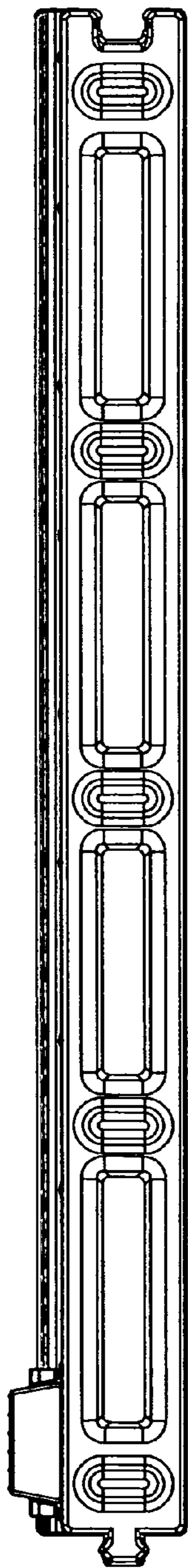


FIG.12

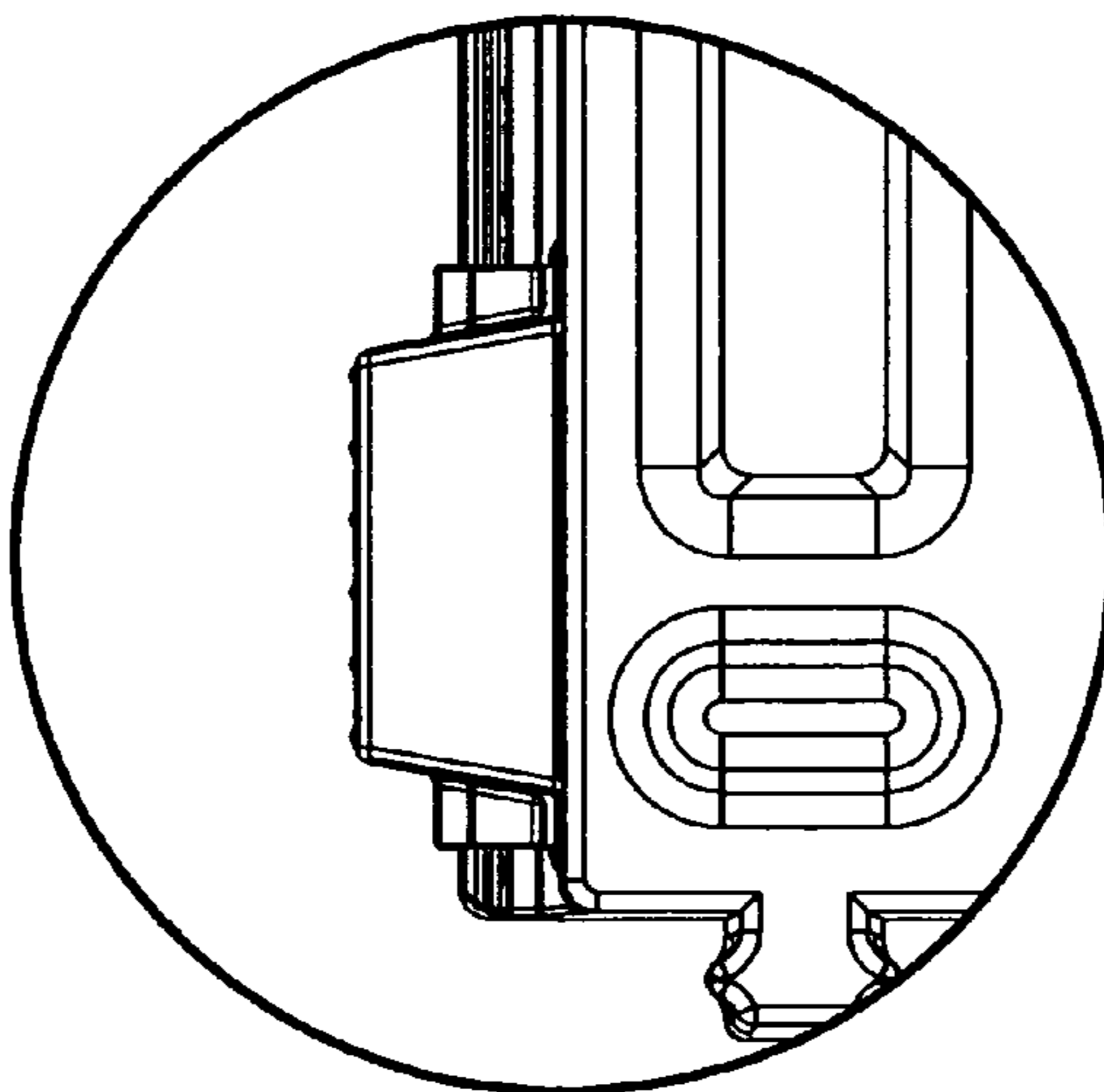


FIG.13

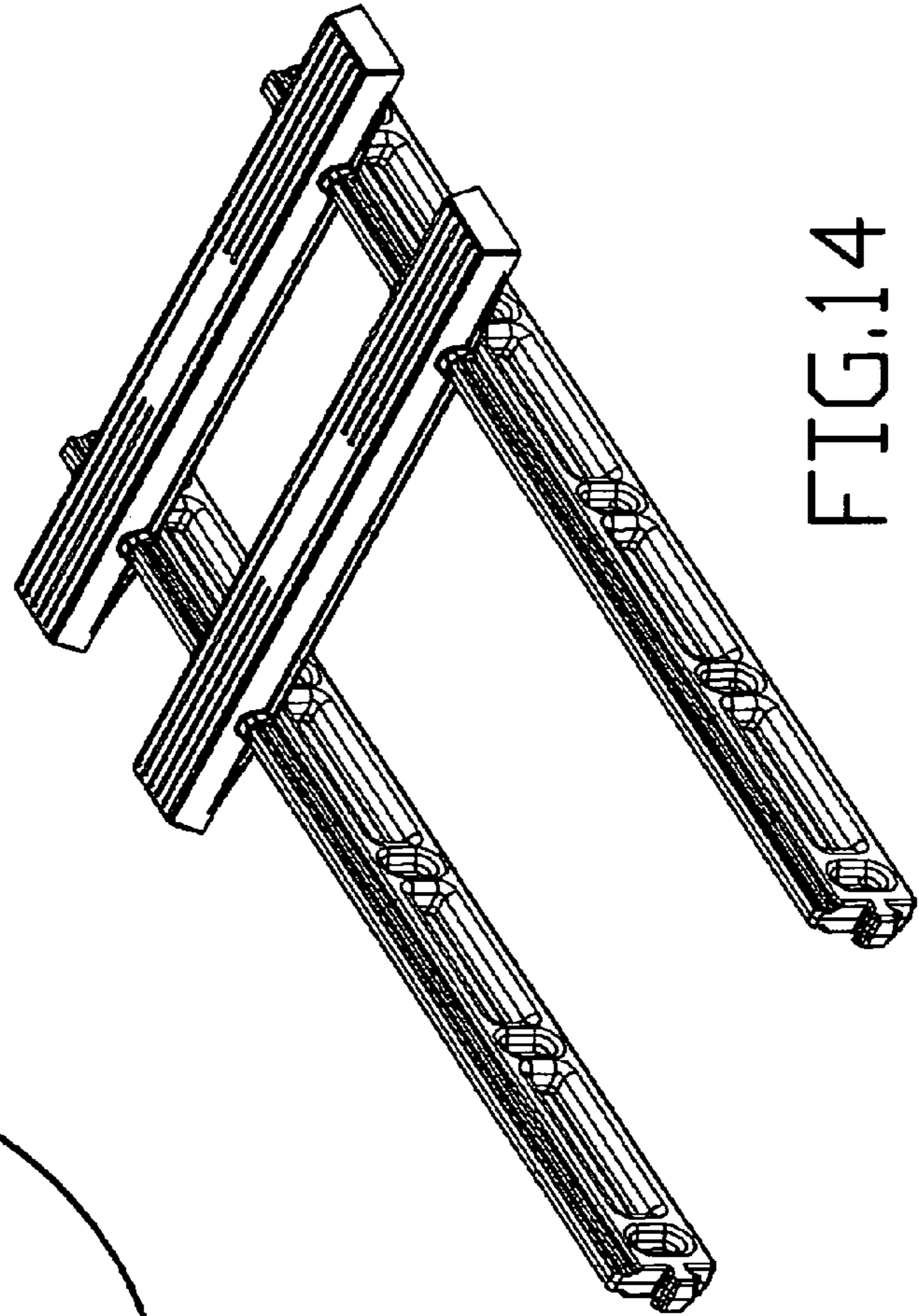


FIG. 14

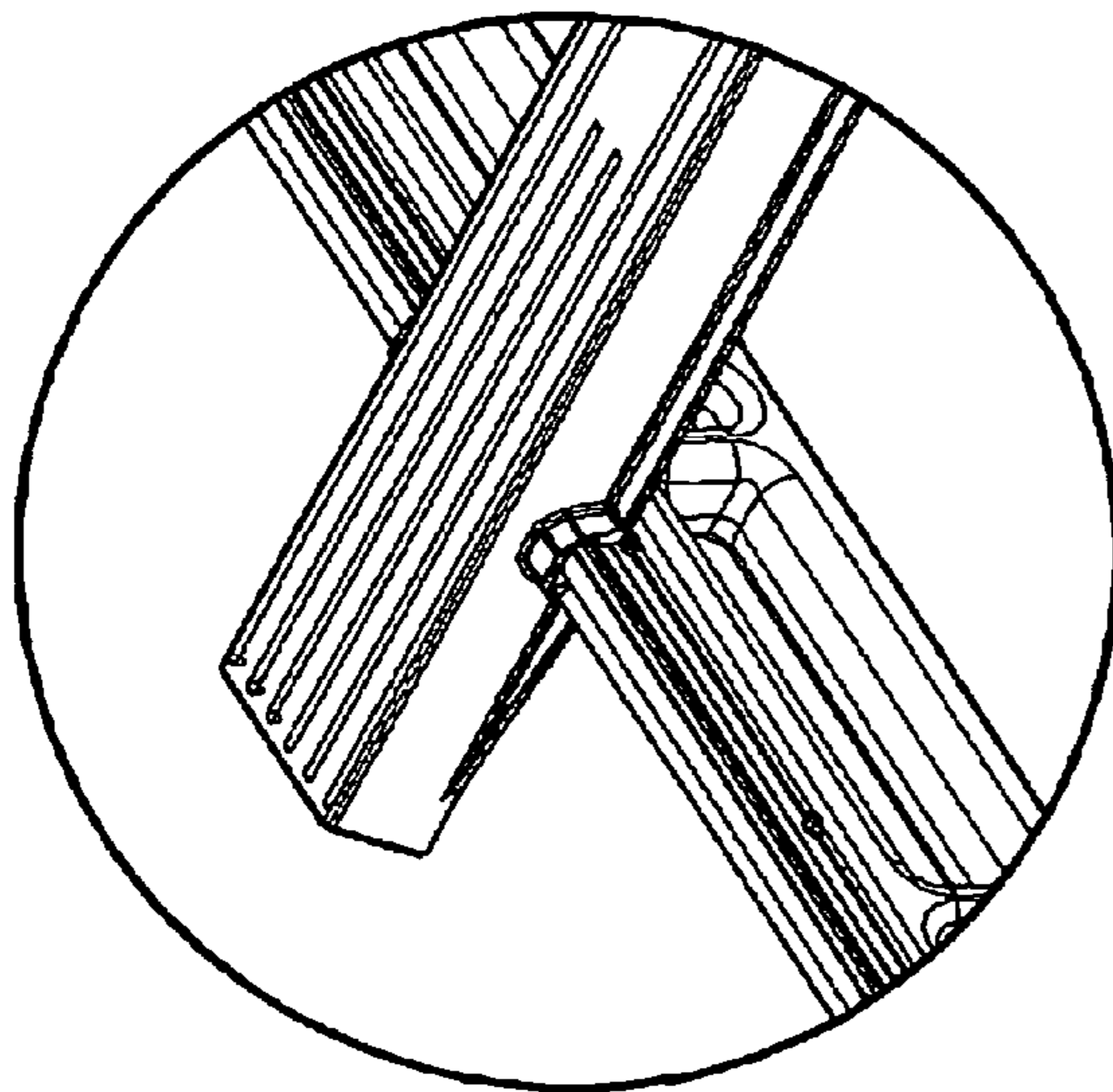


FIG. 15

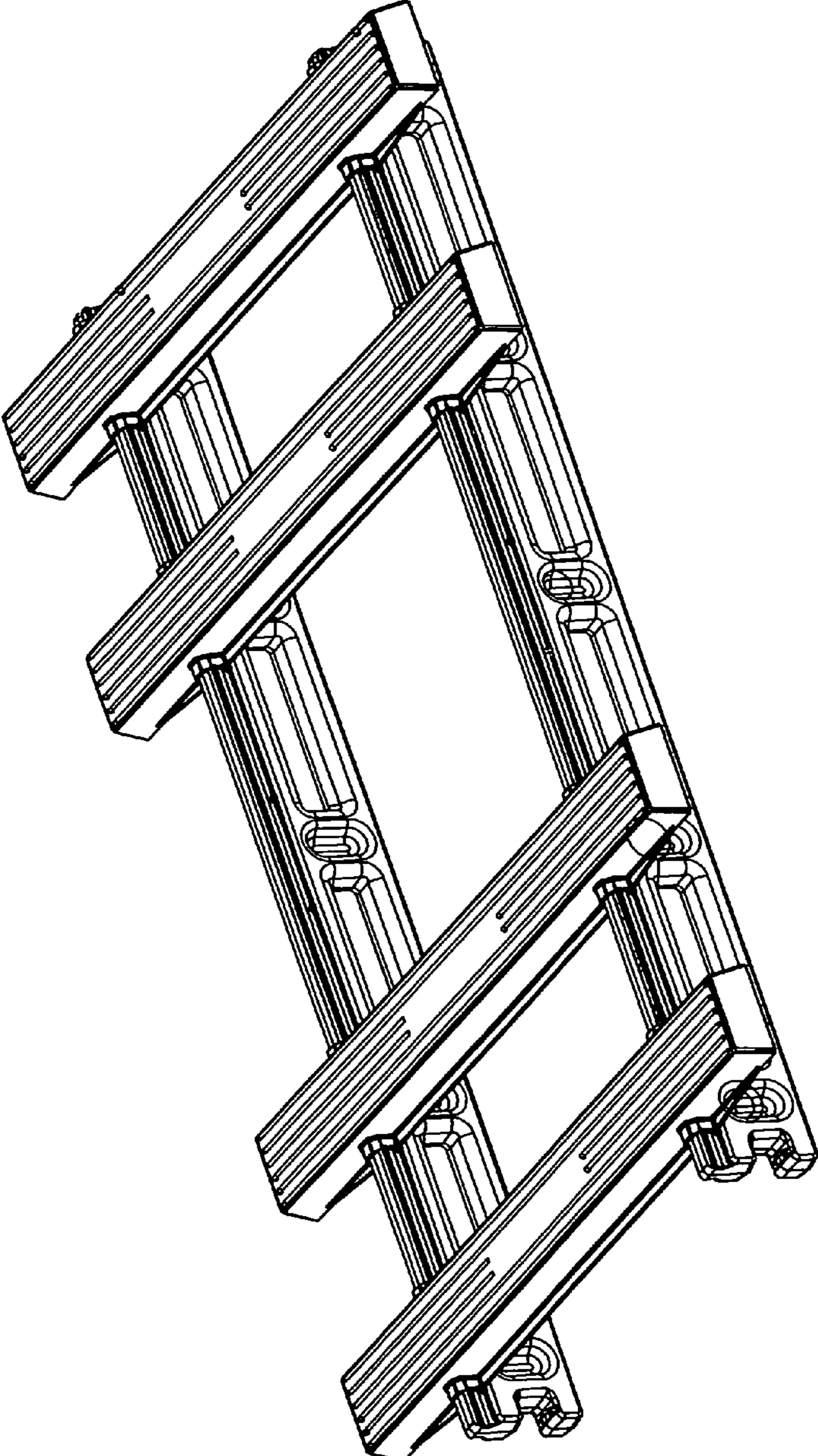


FIG.16